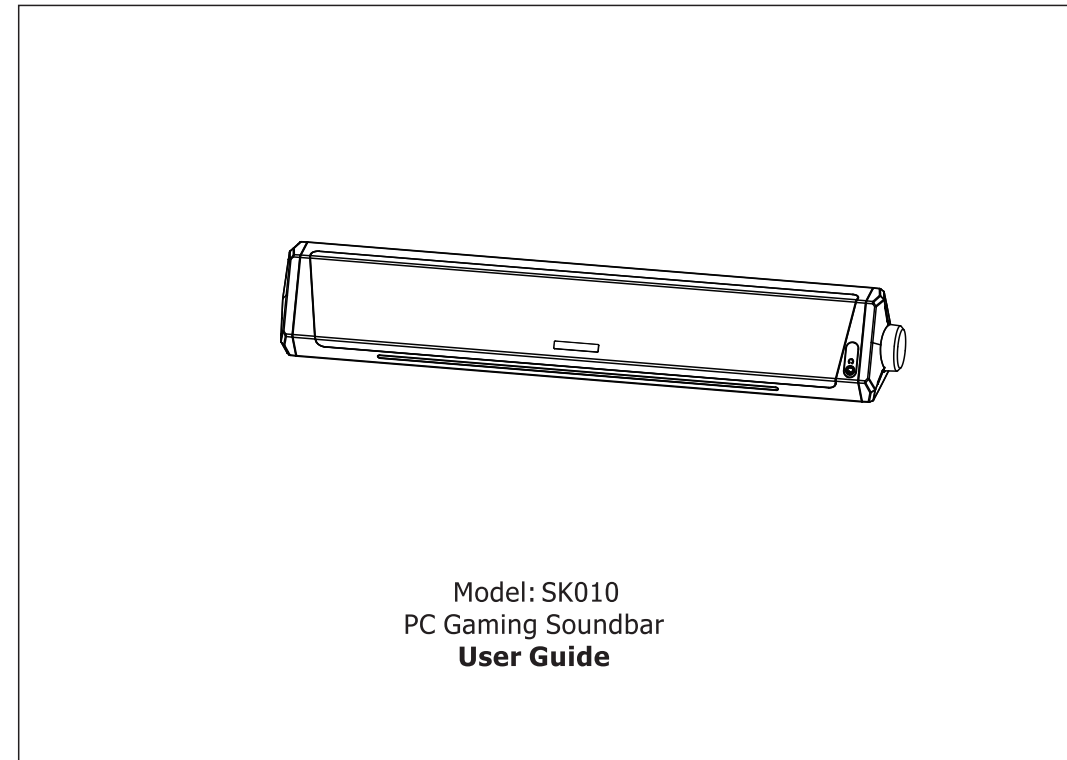


名称: SK010说明书 材质: 128G双铜+风琴折 展开尺寸560*100mm 折好尺寸: 140*100mm 料号: Y.047.0947



IMPORTANT SAFETY INSTRUCTIONS

Thank you for choosing Bluedee PC Gaming Soundbar. Please read this User Guide thoroughly before use and retain it for future reference.

WARNING

- To reduce the risk of fire or electric shock, do not expose this appliance to rain or moisture.
- Keep the sound bar away from extreme heat and humidity, and do not expose to direct sunlight.
- Do not place near any heat sources such as radiators, heat registers, stoves, etc.
- Only use this Sound Bar indoors.
- Never place this Sound Bar on other electrical equipment.
- Keep the Sound Bar clean and dry. Do not clean the product with detergent containing alcohol, ammonia, benzene or abrasives.

CAUTION

- Do not scrape the surface with sharp objects.
- Do not block any ventilation openings.
- Unplug this device during lightning storms or when not used for long periods of time.
- Do not drop or knock your sound bar on hard surfaces as it may damage the interior circuits.
- Protect the power cord from being walked on or pinched particularly at plugs, convenience receptacles, and the point where they exit from the device.
- Close attention is needed when using near children.
- Unauthorized disassembly of any parts of this appliance is forbidden.
- Always ask a professional technician or authorized personnel for repair.
- Do not use chemicals or detergents to clean the appliance.
- Clean only with a dry cloth.

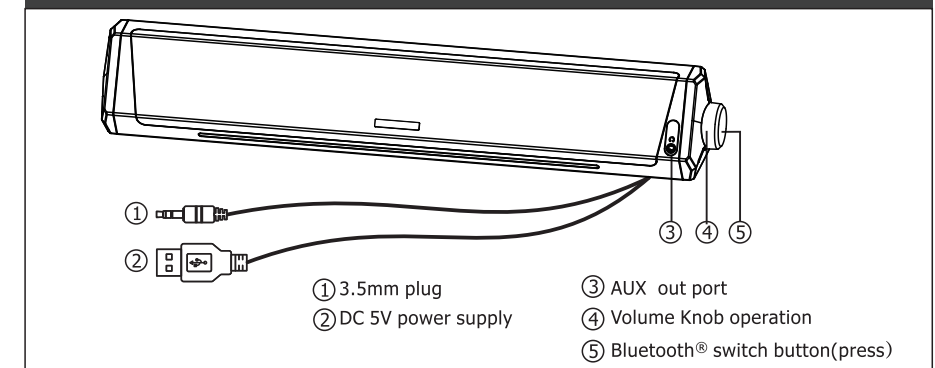
1

READ AND SAVE THESE INSTRUCTIONS

Package Contents

- 1 x Bluedee PC Gaming Soundbar (BD-SK010)
- 1 x User Guide

Product Diagram



2

Product Diagram

Mode	Purpose Prerequisite	Volume knob operation	LED (Bottom)	LED(Side)	Function	Voice	Remark
AUX cable mode	Power on for the first time	N/A	Green light	(Emerald green) Alwaysbright	N/A	Beep (Du-du)	N/A
	Connect to Audio source	Clockwise rotation	Default RGB for the first time (A mode)	Always bright	Volume up	Beep (Du)	when turn to maximum volume has a "Du" tone for reminding
	Connect to Audio source	Counterclockwise rotation	Default RGB for the first time	Always bright	Volume down	N/A	N/A
	Pause	Short press	Off	Always bright	Volume Mute	N/A	N/A
	Resume Play	Short press	On	Always bright	Resume play	N/A	N/A
	LED color change	Double press	Switch to Rhythm mode (Mode B)	Always bright	Mode B on	N/A	N/A
	LED color change	Double press	Switch from Mode B to Mode C (Monochrome breathing mode)	Always bright	Mode C on	N/A	N/A
LED color change	Double press	Turn off from Mode C	Always bright	Off	N/A	N/A	

3

Mode	Purpose Prerequisite	Volume knob operation	LED (Bottom)	LED (Side)	Function	Voice	Remark
Bluetooth® Mode	Turn on the Bluetooth® mode	Long press for 2 seconds	Blue	Always bright	N/A	Beep	AUX mode long press the knob for 2 seconds to enter Bluetooth® mode
	Search Mode	N/A	On for 1 second, off for 0.5 second	Always bright	N/A	N/A	After switching to Bluetooth mode, enter the search mode directly, and attempt connect to the previous Bluetooth® device first
	Pairing mode	N/A	Red and blue flashing alternately	Always bright	N/A	N/A	N/A
	Paired successfully	N/A	On (resume the earlier state-A, B or C mode)	Always bright	N/A	Long Beep	N/A
	Turn off Bluetooth® mode	Long press for 2 seconds	Remain the current mode	Always bright	Disconnect the Bluetooth®	Beep	When trying to turn off the BT mode, press the volume knob for 2 seconds. When you hear a beep, stop pressing. Otherwise it will clear the connected device list.
	Pause	Short press	Off (store current mode)	Always bright	N/A	N/A	N/A
	Resume play	Short press	On (Resume the previous mode)	Always bright	N/A	N/A	N/A
	Clear the memory of paired devices	Long press for 5 seconds	N/A	Always bright	N/A	Beep	In order to clear the list of paired devices, need to at BT mode first

4

Use Your Sound Bar

Place the Sound Bar

- Place this unit on a level table near the place where the USB power plug can be easily reached.
- Never place this unit in an enclosed cabinet when the sound bar is playing.

Bluetooth® Connection

- Connect the sound bar with USB charging adapter or active computer USB port to turn on the unit
- Press the volume knob for 2 seconds to enter Bluetooth® mode. The bottom LED light flash (red and blue flashing alternately) indicating the sound bar is in pairing mode now.
- Turn on the Bluetooth® function on your device and search function on your device and search for nearby devices. In the search result, find "SK010" and connect to it.
- Once connected, you will hear the Beep indicates the connection is established. The bottom LED light will back to normal mode.
- When disconnected, there will be a short beep to indicate the disconnect, and the sound bar back to pairing mode.

- When the Bluetooth® mode is turned on, the sound bar will automatically enter pairing and re-pairing mode. If the sound bar has been connected before, it will attempt to pair with the last connected device. If not, the sound bar will enter pairing mode for pairing with other Bluetooth® device.
- Please make sure no other active Bluetooth® devices are within range, and that the sound bar is within 3ft / 1m away from your device.

5

AUX Cable Connection

- Connect the sound bar with any USB power adapter or active computer USB port to turn on the unit.
- the AUX end is fixed on the sound bar, simply plug in the 3.5mm plug on your device.

Note:

- When Bluetooth is connected while AUX is connected, the sound output source will come from the device connected via Bluetooth®
- Make sure the music is at audible level and tune the volume through the volume Knob.

Cleaning and Maintenance

- Clean the Sound Bar on a regular basis.
- Use dry and soft cotton cloth to wipe the unit.
- Keep away from sharp objects to avoid scratches.
- Put the unit in a dry and shady place if it is to be idle for a long time.
- Do not clean the product with detergent or chemicals.
- Do not insert anything into the product.

Warranty and Service

This product is covered with Bluedee product and labor warranty for 12 months from the date of its original purchase. In addition, you are welcomed to visit our website at www.bluedee-tech.com to extend the warranty period. If any problem occur, please contact the Bluedee Customer Care Center via the contact information listed in this User Guide.

6

FCC Statement

NOTE: This equipment has been tested and found to comply with the limits for aClass B digital device, pursuant to part 15 of the FCC Rules. These limits are designed to provide reasonable protection against harmful interference in a residential installation. This equipment generates uses and can radiate radio frequency energy and, if not installed and used in accordance with the instructions, may cause harmful interference to radio communications. However, there is no guarantee that interference will not occur in a particular installation. If this equipment does cause harmful interference to radio or television reception, which can be determined by turning the equipment off and on, the user is encouraged to try to correct the interference by one or more of the following measures:

- Reorient or relocate the receiving antenna.
- Increase the separation between the equipment and receiver.
- Connect the equipment into an outlet on a circuit different from that to which the receiver is connected.
- Consult the dealer or an experienced radio/TV technician for help

Changes or modifications not expressly approved by the party responsible for compliance could void the user's authority to operate the equipment.

This device complies with Part 15 of the FCC Rules. Operation is subject to the following two conditions:
 (1) this device may not cause harmful interference, and
 (2) this device must accept any interference received, including interference that may cause undesired operation.



Made in China