

Antenna Specification 天线规格书

制造商名称: Manufacturer:	东莞市信博联电子科技有限公司 Dongguan Sinbolin Electronic Technology Co.,Ltd.
供应商名称: Supplier:	东莞市信博联电子科技有限公司 Dongguan Sinbolin Electronic Technology Co.,Ltd.
产品名称: Part Description:	金属片天线 Metal Antenna
规格型号: Model No:	125467503-B
制造商 P/N: Manufacturer P/N:	JSP-125467503-18BN
日期: Issued Date:	2023.11.07

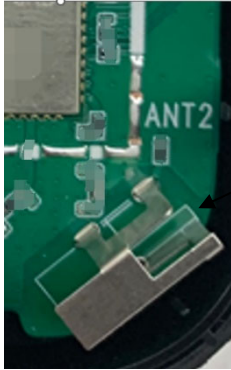
INDEX 目录

cover 封面.....	1
Index 目录.....	2
一、Antenna attachment position diagram.....	3
二、Test parameters 产品测试参数.....	3
三、Antenna test environment 天线测试环境.....	4
四、Antenna Passive Parameters 天线无源参数:	5
1、VSWR 驻波比图.....	5
2、Directional、Gain and Efficiency 增益和效率.....	6
3、2D/3D directional diagram 2D/3D 方向图.....	6
4、Active parameter 有源数据.....	7
五、Product features 产品特点.....	7
六、Drawing 产品结构图.....	8

Specification for Antenna

天线规格书

一、Antenna attachment position diagram:

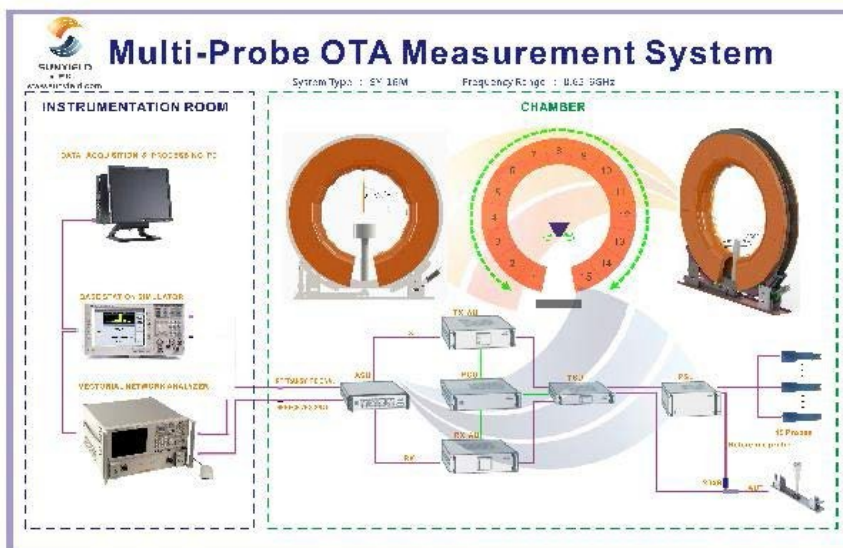
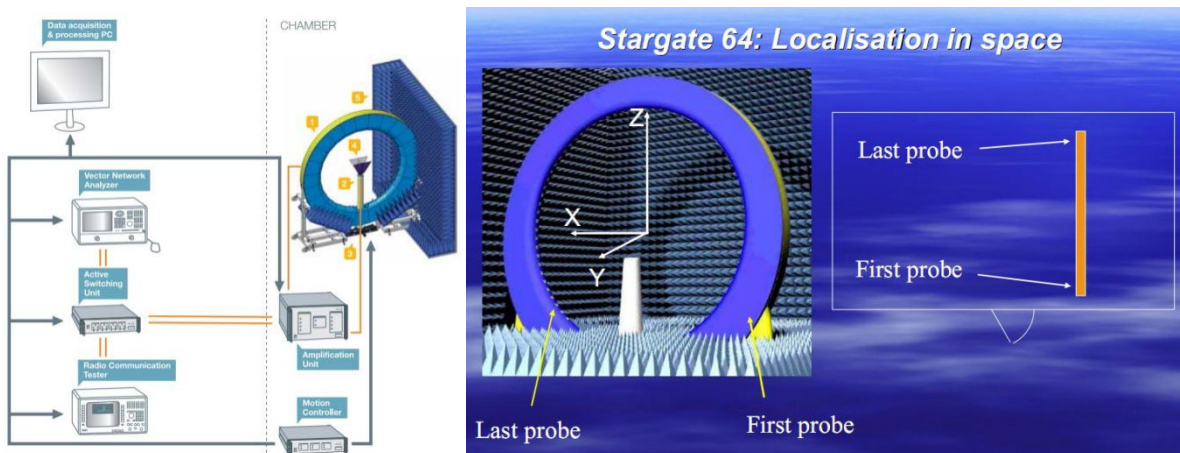


Antenna attachment position

二、Test parameters 产品测试参数

频率 (Frequency)	2400 ~ 2500 MHz
电压驻波比 (V.S.W.R)	$\leq 2.0 @ 2400 \sim 2500 \text{ MHz}$
天线增益 (Antenna Gain)	1.5 ~ 2.5dBi @ 2400 ~ 2500 MHz
辐射效率 (Radiation Efficiency)	50 ~ 60 % @ 2400 ~ 2500 MHz
阻抗 (Impedance)	50 Ohm
极化方式 (Polarization)	线性 (Linear)
天线类型 (Antenna Type)	PIFA
B. 材质及机械特性 (Material & Mechanical Characteristics)	
辐射材质 (Material of Radiator)	不锈钢(304)
C. 环境因素 (Environmental)	
工作温度 (Operation Temperature)	- 40 °C ~ + 75 °C
储存温度 (Storage Temperature)	- 40 °C ~ + 85 °C

三、Antenna test environment 天线测试环境

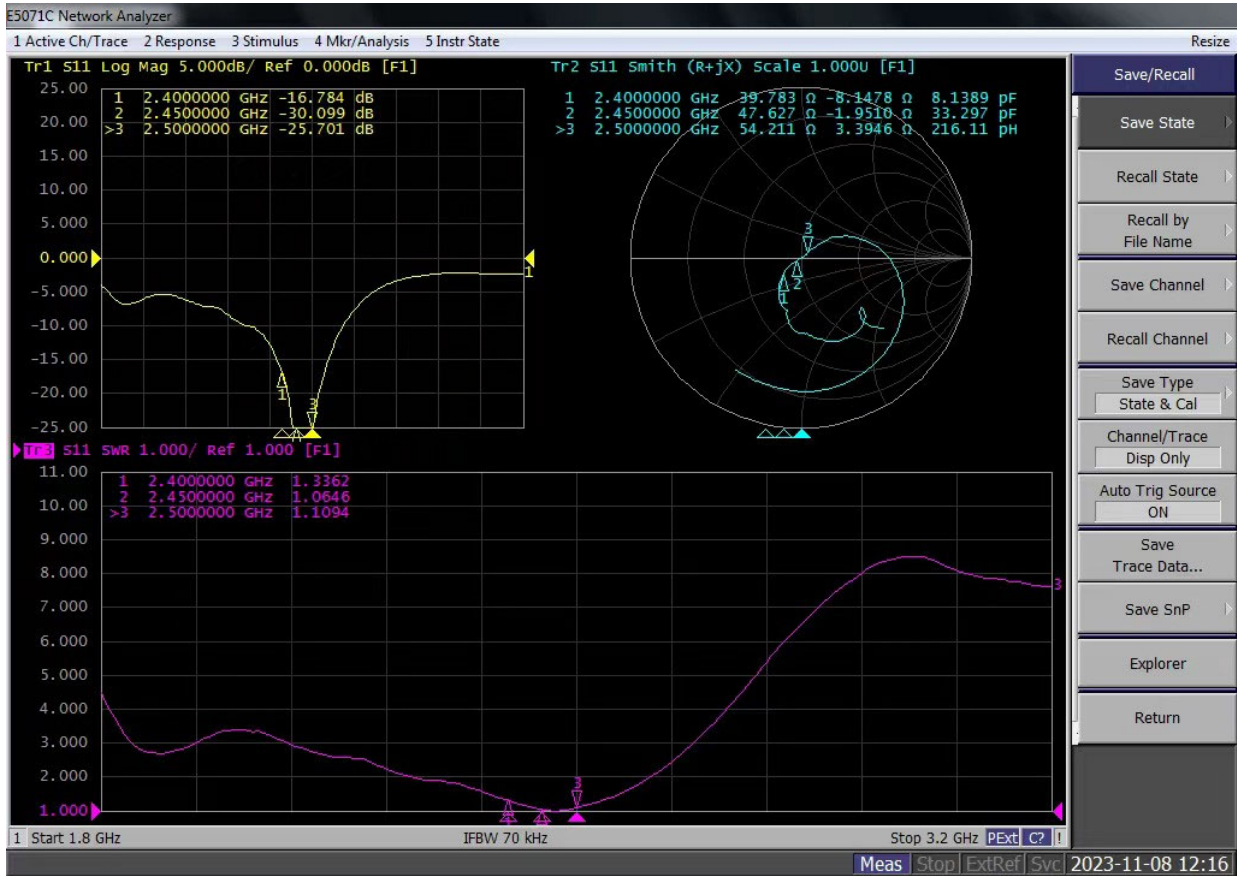


test macro 测试系统:	SY-16M Antenna measurement system 天线测量系统
testing environment 测试环境:	temperature 温度 $22^{\circ}\text{C} \pm 3^{\circ}\text{C}$, humidity 湿度 $50\% \pm 15\%$
testing equipment 测试设备:	Agilent 5071C Agilent 8960 Comprehensive measuring instrument 综测仪 Agilent CMW500 4G Comprehensive measuring instrument 综测仪

四、Antenna Passive Parameters 天线无源参数:

1、VSWR 驻波比图:

Antenna-BT



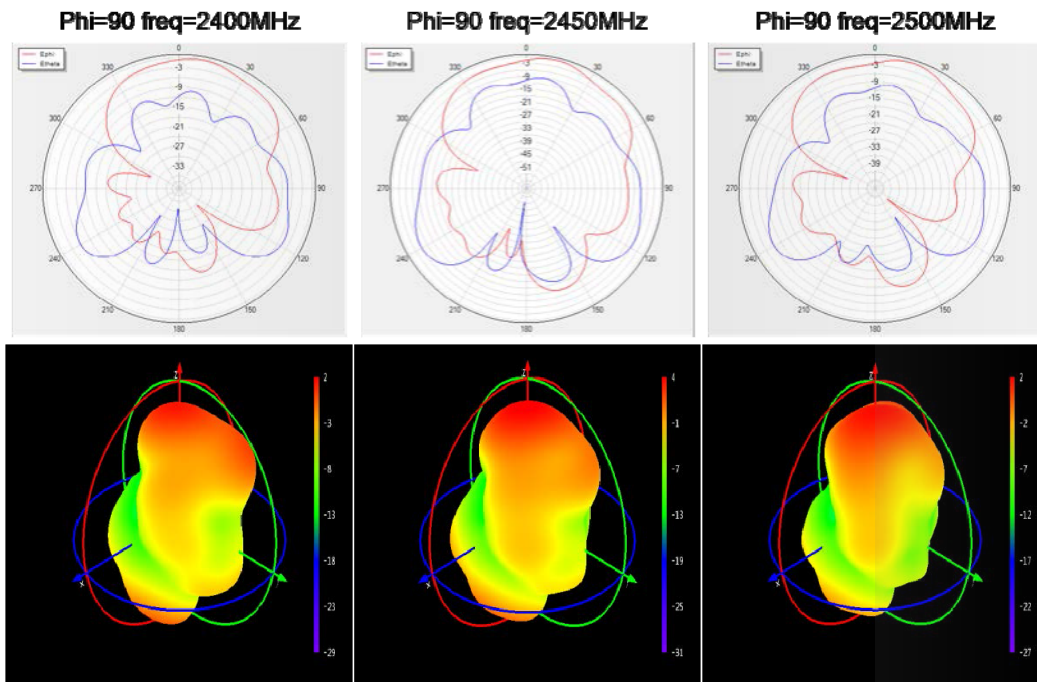
V.S.W.R

Freq/GHz	2.4	2.45	2.5
VSWR	1.3	1.0	1.1

2、Gain and Efficiency 增益和效率:

Gain&Efficiency&PhaseCenter 增益、效率和相位中心		
Frequency 频率 (MHz)	Gain 增益 (dB)	Efficiency 效率 (%)
2400	2.68	50.25
2410	2.46	51.65
2420	2.27	51.86
2430	2.27	50.47
2440	2.18	50.52
2450	2.15	51.00
2460	2.17	52.6
2470	2.18	54.41
2480	2.01	55.06
2490	1.99	56.62
2500	1.87	56.96

3. 2D/3D directional diagram 2D/3D 方向图:



4、Active parameter 有源数据

Test tools: Microwave Anechoic Chamber+ROHDE&SCHWARZ CMW

500 Standard:As shown in the table

Testing Environment: Same as passive test

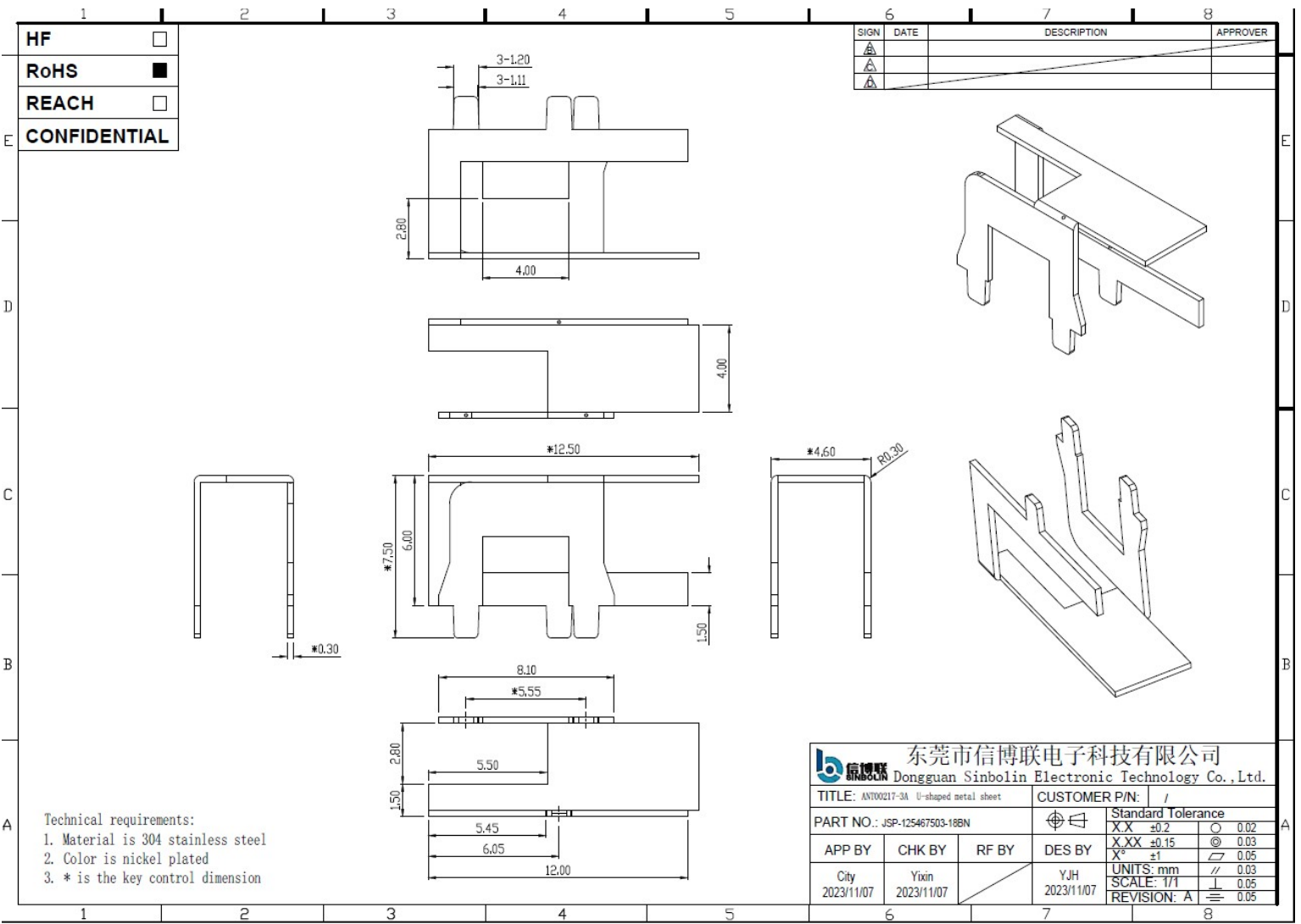
BT TRP & TIS Test Result

Test mode: DH1					
Test Item	BT TRP&TIS				
Channel	0	19	39	59	78
Frequency (MHz)	2402	2421	2441	2461	2480
TRP(dBm)	6.62	6.46	6.07	5.52	4.52
TIS(dBm)	-88.6	-91.82	-92.02	-91.46	-91.17
Test mode: 2DH3					
Test Item	BT TRP&TIS				
Channel	0	19	39	59	78
Frequency (MHz)	2402	2421	2441	2461	2480
TRP(dBm)	6.72	6.44	5.96	5.44	4.46
TIS(dBm)	-88.23	-92.06	-91.89	-91.66	-91.4
Test mode: 3DH5					
Test Item	BT TRP&TIS				
Channel	0	19	39	59	78
Frequency (MHz)	2402	2421	2441	2461	2480
TRP(dBm)	6.55	6.31	5.88	5.42	4.47
TIS(dBm)	-88.42	-92.11	-91.92	-91.69	-91.83

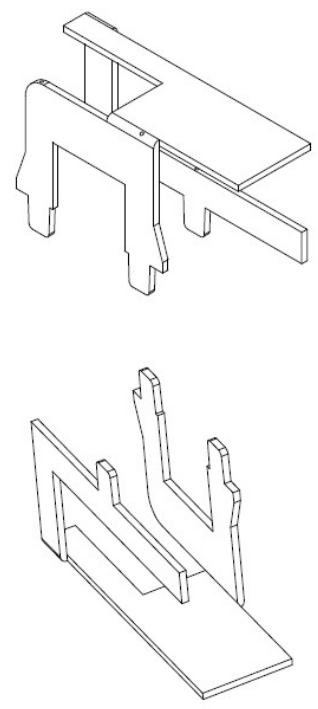
五、Product characteristics 产品特点


1. Stable performance 性能稳定;
2. Stable performance 频带内驻波良好。

六、Drawing 产品结构图



SIGN	DATE	DESCRIPTION	APPROVER



 东莞市信博联电子科技有限公司 Dongguan Sinbolin Electronic Technology Co., Ltd.			
TITLE: ANT00217-3A U-shaped metal sheet		CUSTOMER P/N: /	
PART NO.: JSP-125467503-188N		Standard Tolerance XX ±0.2 ○ 0.02 X.XX ±0.15 ◎ 0.03 X ^o ±1 // 0.05	
APP BY	CHK BY	RF BY	DES BY
City 2023/11/07	Yixin 2023/11/07		Y.JH 2023/11/07
		UNITS: mm SCALE: 1/1 REVISION: A	

