



飞米FIMI X8SE 2022无人机快速入门指南

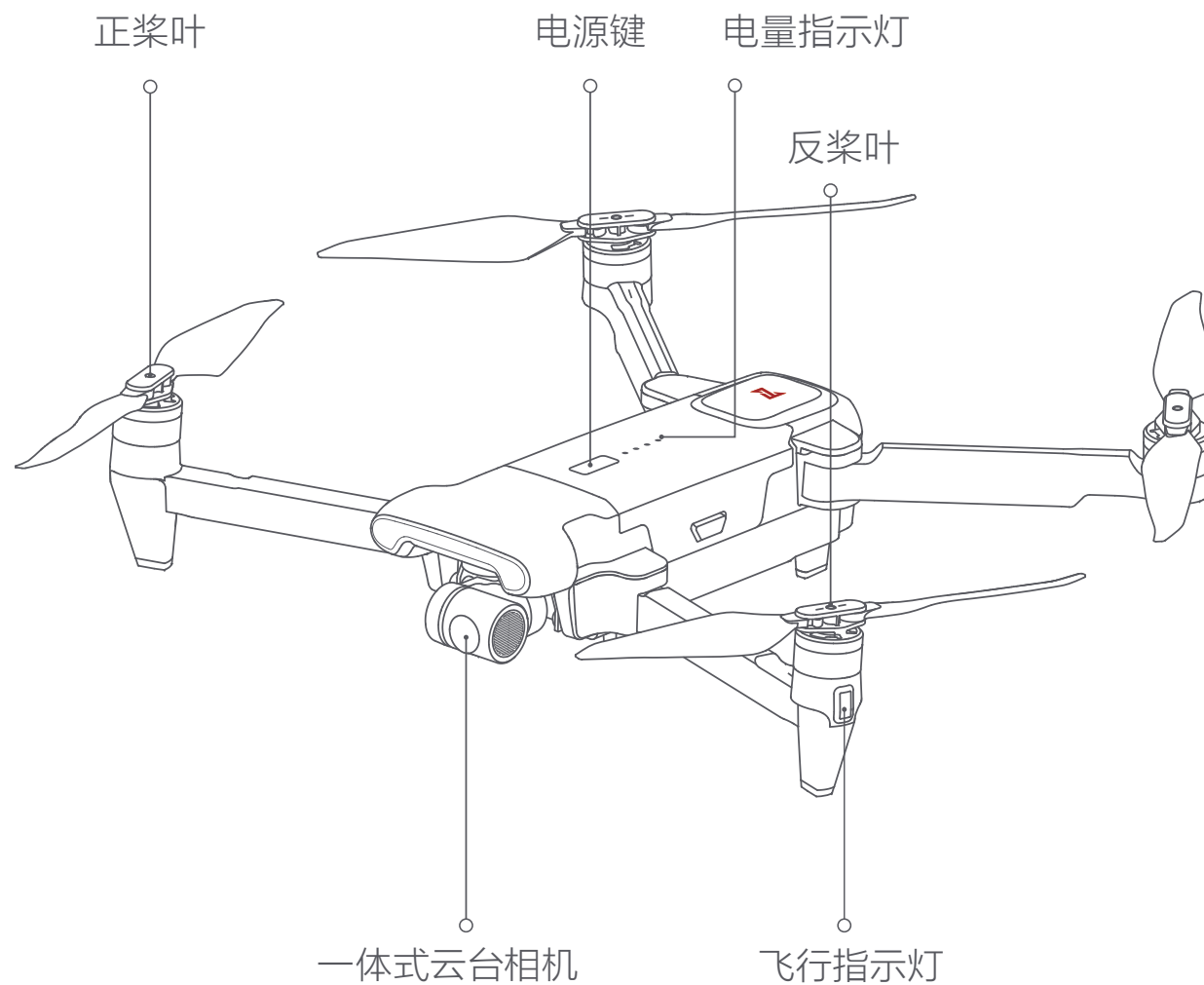
使用产品前请仔细阅读本快速指南并妥善保管

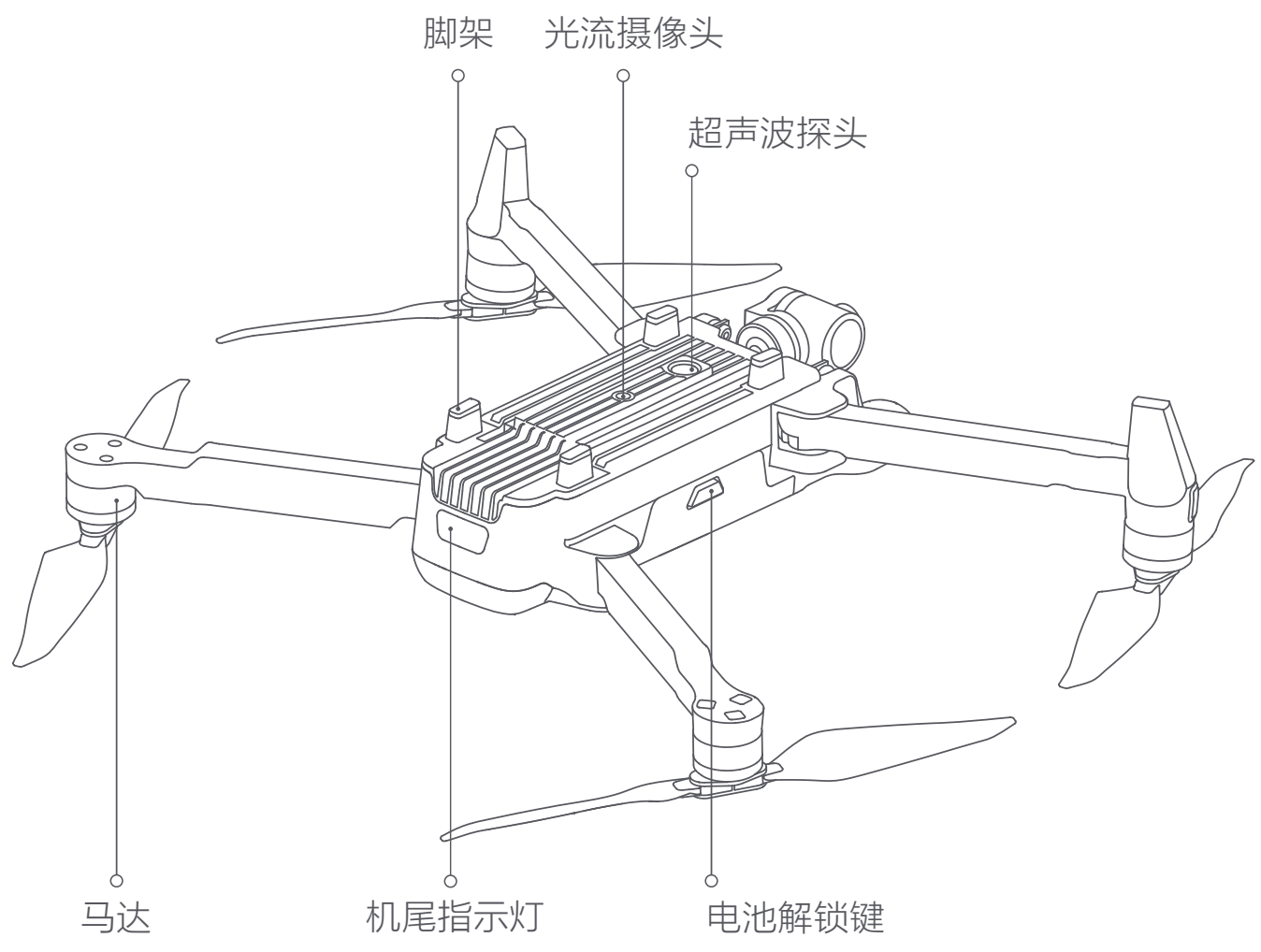
FIMI X8 SE 2022 Drone Quick Start Manual

Please read the quick start manual carefully before using and keep it for future reference.

产品介绍

1 飞行器





脚架 光流摄像头

超声波探头

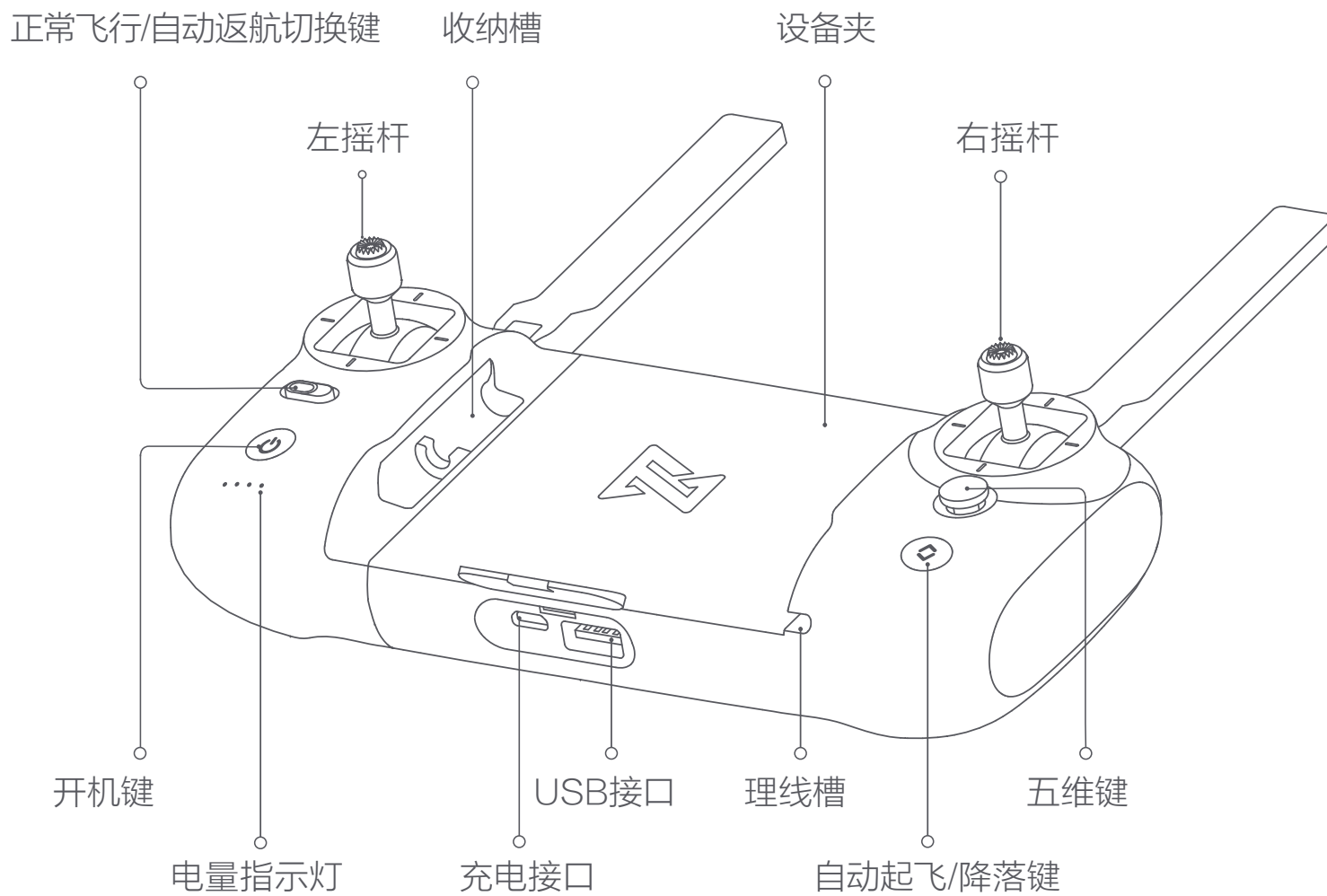
马达

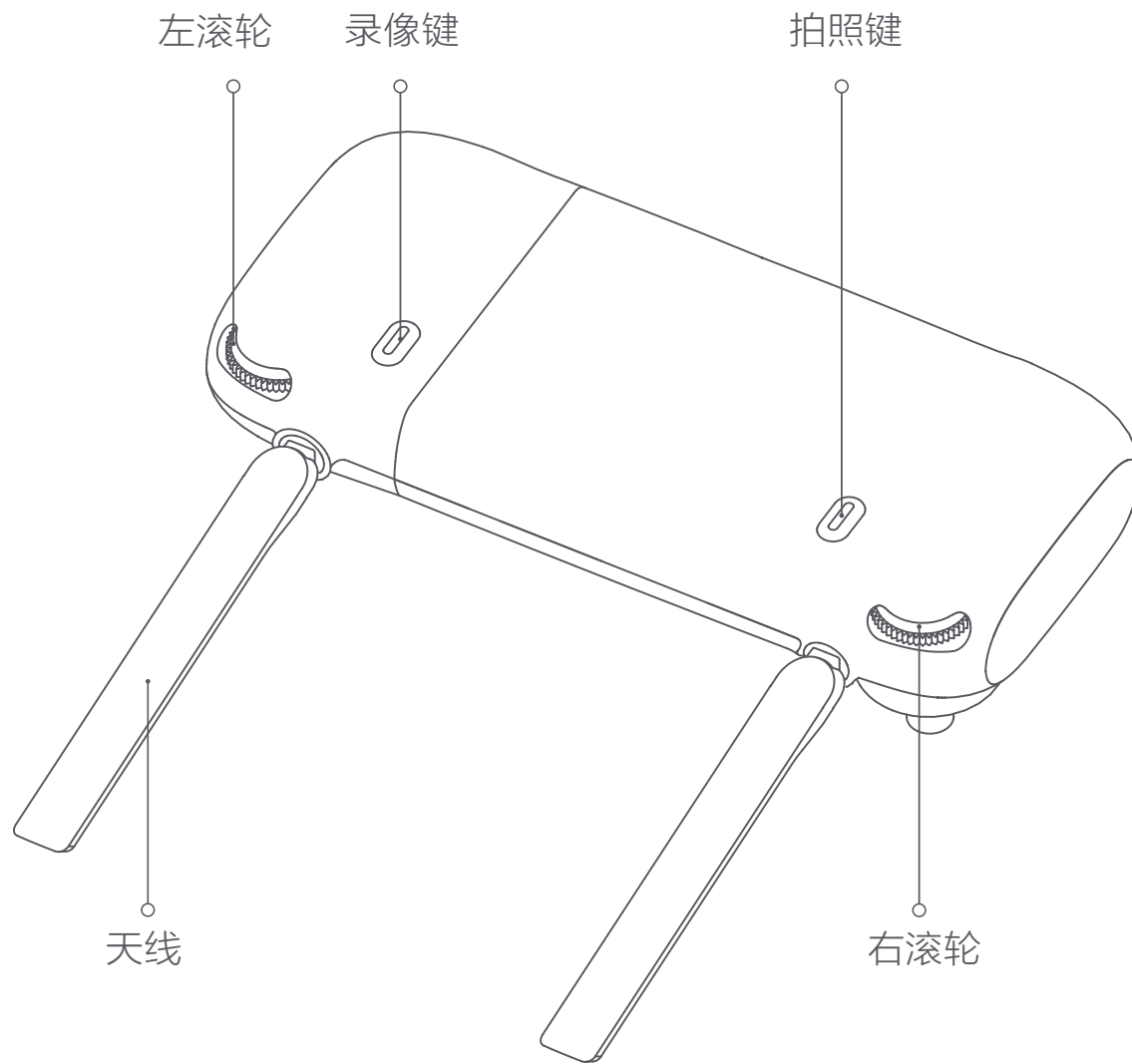
机尾指示灯

电池解锁键

产品介绍

2 遥控器

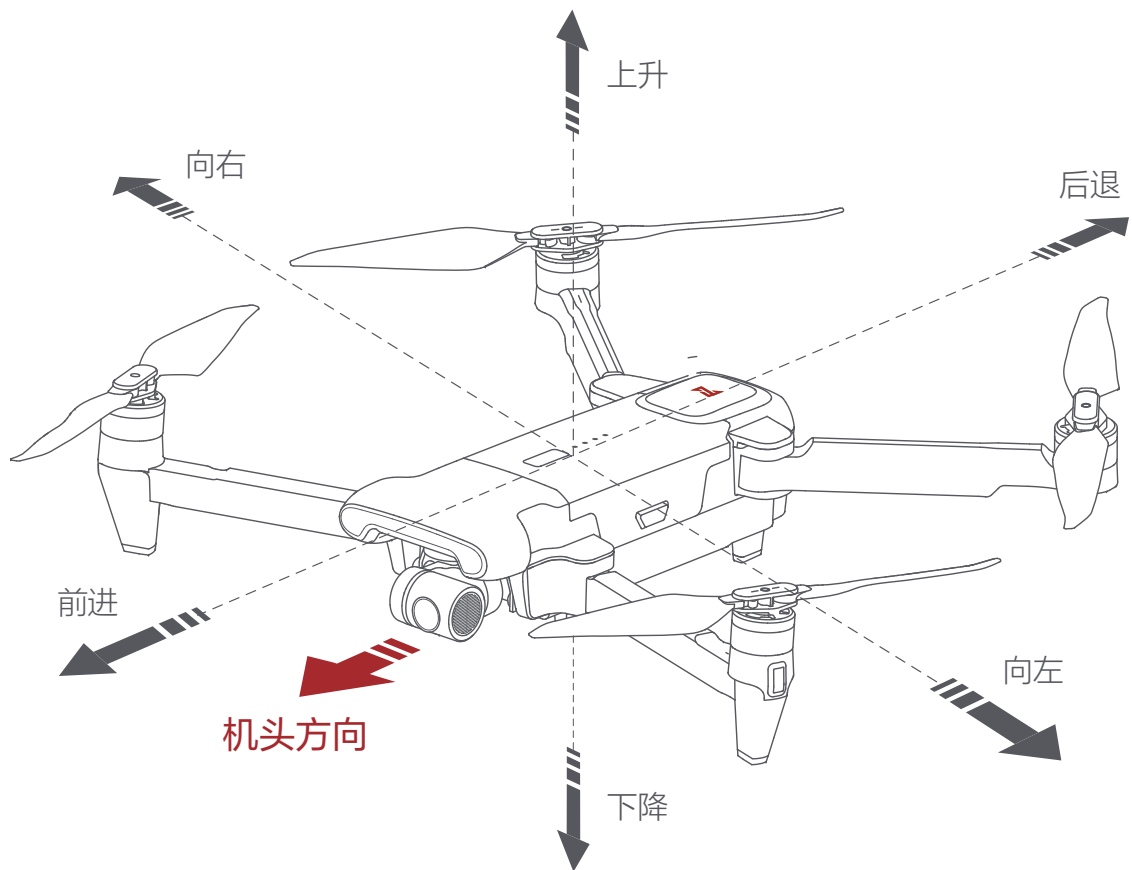




遥控器按键功能说明

	功能键	功能描述	
1	左摇杆	摇杆向上推,飞行器上升;摇杆向下拉,飞行器下降 摇杆向左,飞行器逆时针旋转;摇杆向右,飞行器顺时针旋	
2	右摇杆	摇杆向上推,飞行器前进;摇杆向下拉,飞行器后退 摇杆向左,飞行器向左飞行;摇杆向右,飞行器向右飞行	
3	自动返航键	向左拨动正常飞行,向右拨动切换自动返航	
4	自动起飞/自动降落	长安2秒自动起飞/降落	
5	拍照键	短按进行拍照	
6	录像键	短按开始/停止录像	
7	五维键	上	默认地图/FPV切换
		下	默认云台回中/向下切换
		左	默认打开/关闭页面
		右	默认打开/关闭自检页面
		中	默认打开/关闭媒体库
8	左滚轮	调节云台俯仰角度	
9	右滚轮	调节相机EV值/ISO值	
10	电源键	短按查看当前电量;短按+长按2秒开关机	

注: 五维键功能可通过 FIMI Navi 2020 APP进行设置
摇杆功能为默认模式下, 可通过 FIMI Navi 2020 APP进项设置



注: 遥控器摇杆的设置可以在遥控器设置菜单中进行更改(默认为美国手)

基本参数信息

飞行器

产品型号: FMWRJ03A8
机身尺寸: 折叠204×106×72.6mm
轴距: 372mm
起飞重量: 约768g
飞行时间: 约35分钟*
最大上升速度: 5m/s
最大下降速度: 4m/s
最大飞行速度: 18m/s
卫星定位: GPS/格洛纳斯/北斗
悬停精度: 垂直±0.1m(超声波工作范围内)
±0.5m(GPS正常工作时) 水平±1.5m
工作温度: 0~40℃
工作海拔: ≤5000米
工作频段: 2.400-2.4835GHz

充电器

额定输入: 100-240V50~60Hz 1.5A
额定输出: 13.05V = 3A
额定功率: 39.15W

遥控器

产品重量: 约373g
产品尺寸: 203.8x91x46.6mm
工作频段: 2.400-2.4835GHz
电池类型: 可充电锂电池
电池容量: 3900mAh
标称电压: 3.7V
输入: 5V = 2A
遥控距离: 约10000m*
工作温度: 0-40℃
工作海拔: ≤5000米

云台相机

可控转动范围: $0^{\circ} \sim -90^{\circ}$ (俯仰)
角振动范围: $\pm 0.005^{\circ}$
镜头: FOV 79°
光圈: f1.6
相机焦距: 4.71mm
等效焦距: 25mm
传感器: 1/2.0" SONY CMOS
ISO范围: 100-6400
快门速度: 32~1/8000s
视频最大分辨率: 3840×2160|30fps|25fps|24fps
最大码流: 100Mbps
文件系统: FAT32
图片格式: JPG, JPG+DNG
视频格式: MP4
存储卡类型: Micro SD(U3及以上) 8~256GB

电池

类型: 可充电锂电池组
重量: 约270g
容量: 4500mAh
额定电压: 11.4V
限制电压: 13.05V
能量: 51.3Wh
工作温度: 0~40°C

注:

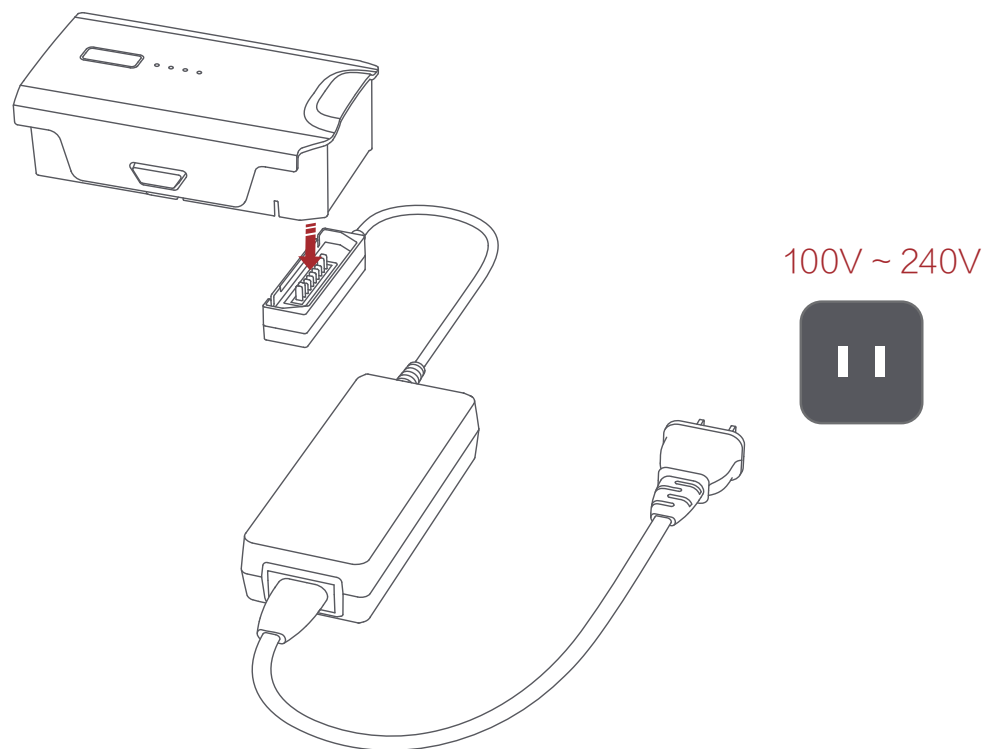
*35分钟续航时间为电池较新且满电情况下飞行速度6-8m/s(无风环境)匀速飞行

*飞行控制距离10KM(FCC)在无干扰, 空旷环境下测得; 以上测试及数据均来自飞米实验室, 实际使用过程中可能根据环境条件, 操作等因素出现误差

充电

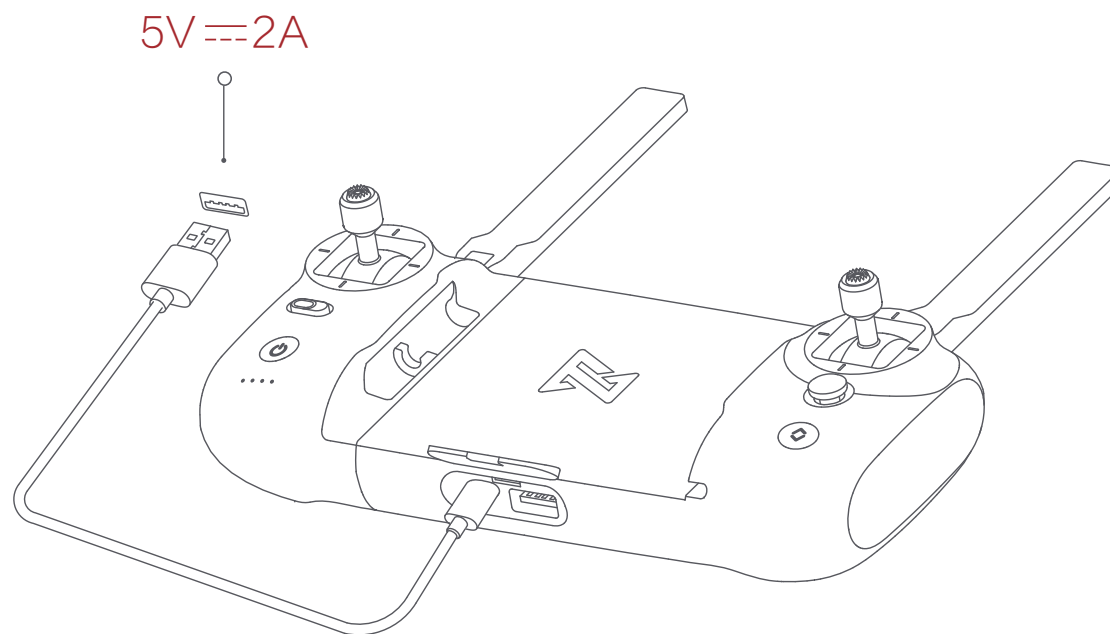
1 飞行器智能电池充电

- 如图示, 将电池, 充电器, AC线连接并接通电源
- 电池充电时, 电池指示灯闪烁
- 充电完成后, 电池指示灯熄灭
- 电池充满大约需要2小时



2 遥控器充电

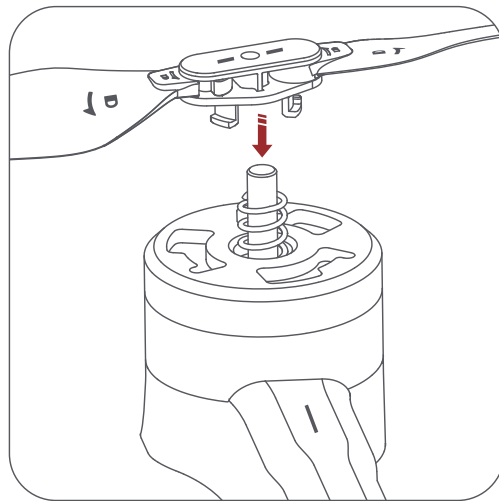
- 如图示, 将充电线连接至遥控器充电接口.
- 充电时, 电量指示灯闪烁
- 充电完成后, 电量指示灯熄灭
- 在关机状态下, 完全充满大约需要2.5小时



安装与拆卸

1 螺旋桨

- 展开前机臂和后机臂
- 分别将螺旋桨对准带有相应颜色标识的机臂电机上
- 确保螺旋桨按压至电机轴底部，
- 将螺旋桨旋转至锁定方向末端，直到螺旋桨弹起并锁止
- 拆卸螺旋桨时，用力按压螺旋桨沿解锁方向旋转螺旋桨，即可完成拆卸



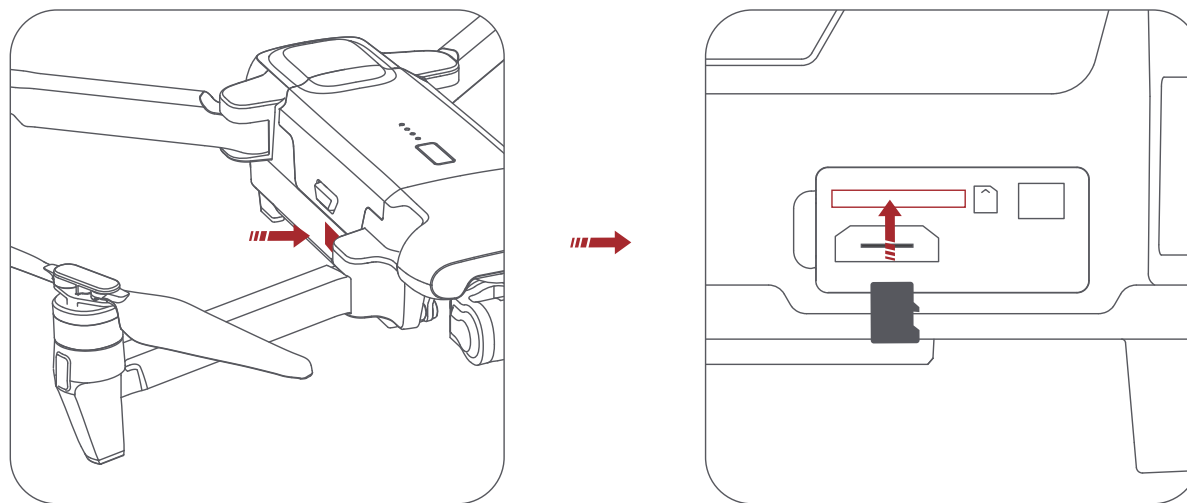
安全提示:

如果螺旋桨损坏，请及时更换，以保证飞行安全和效率。
每次飞行前请检查螺旋桨是否安装牢固，避免出现意外情况

注：以反桨安装为例

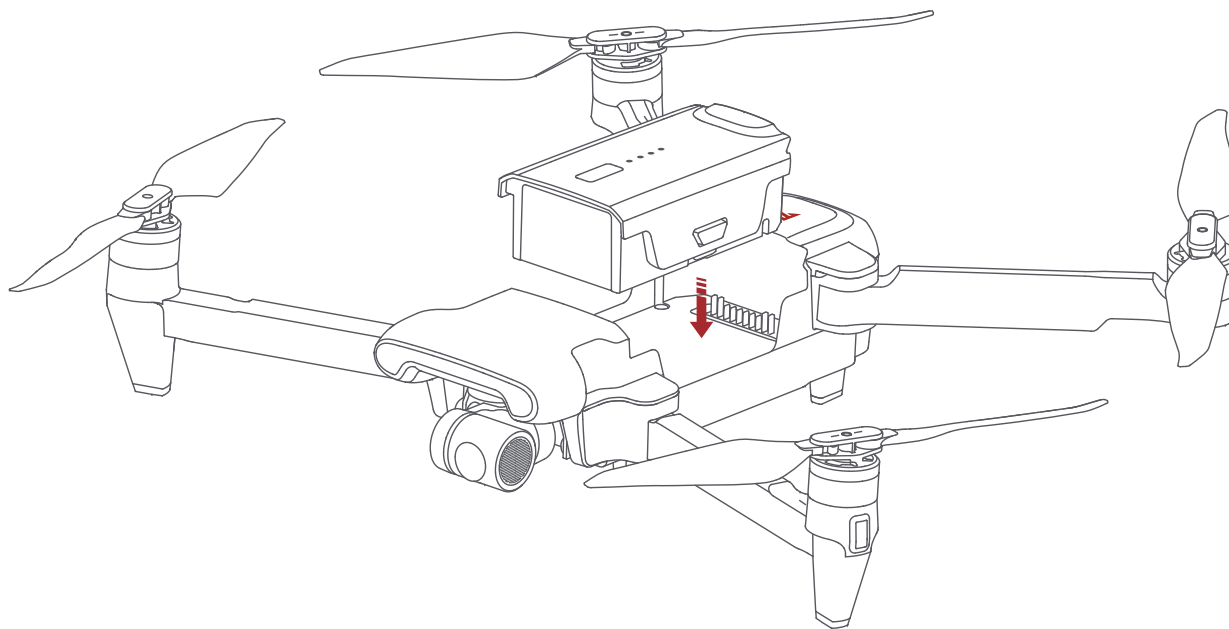
2 飞行器 SD卡安装

- 安装无人机SD卡时, 请展开无人机右前机臂, 打开接口保护盖
- 将SD卡配有文字面朝上插入无人机卡槽
- 取出SD卡时, 按下SD卡即可弹出



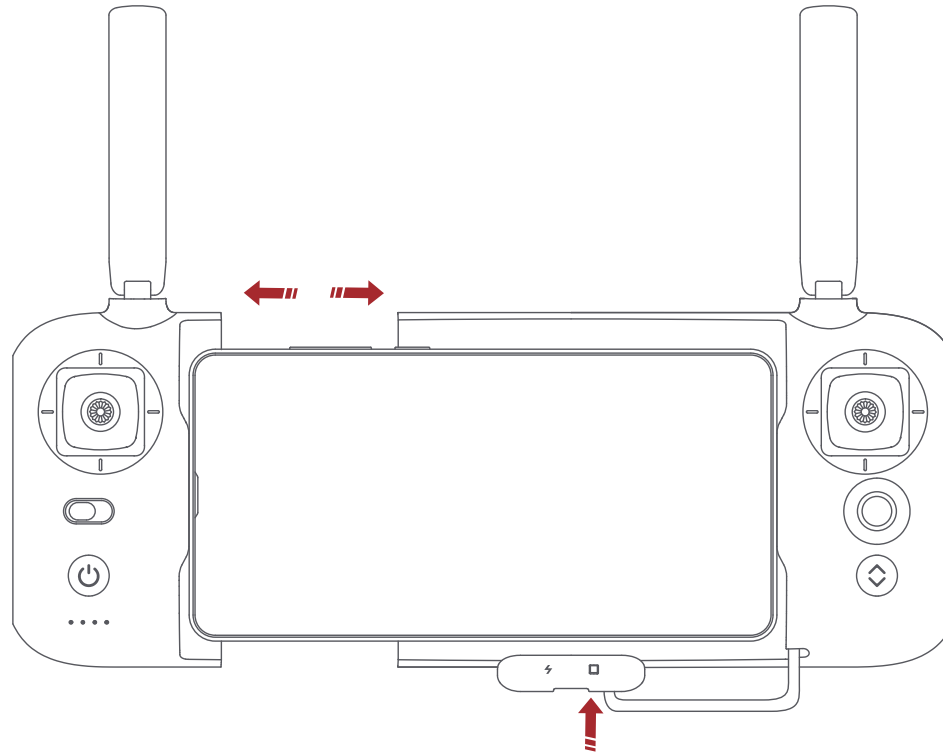
3 电池

- 按照箭头指示, 用力推动电池, 电池按照到位会有“咔哒”声
- 拆卸电池时需要按住电池两侧的电池解锁键, 即可拔出电池



4 遥控器

- 先将连接线接入手机端
- 如图示, 按照箭头拉卡设备支架, 将设备固定在支架上, 连接线装入理线槽
- 打开遥控器下方接口保护盖, 将连接线插入USB端
- 连接飞行器, 根据FIMI Navi 2020 APP的指示进行飞机的连接、操控和固件升级

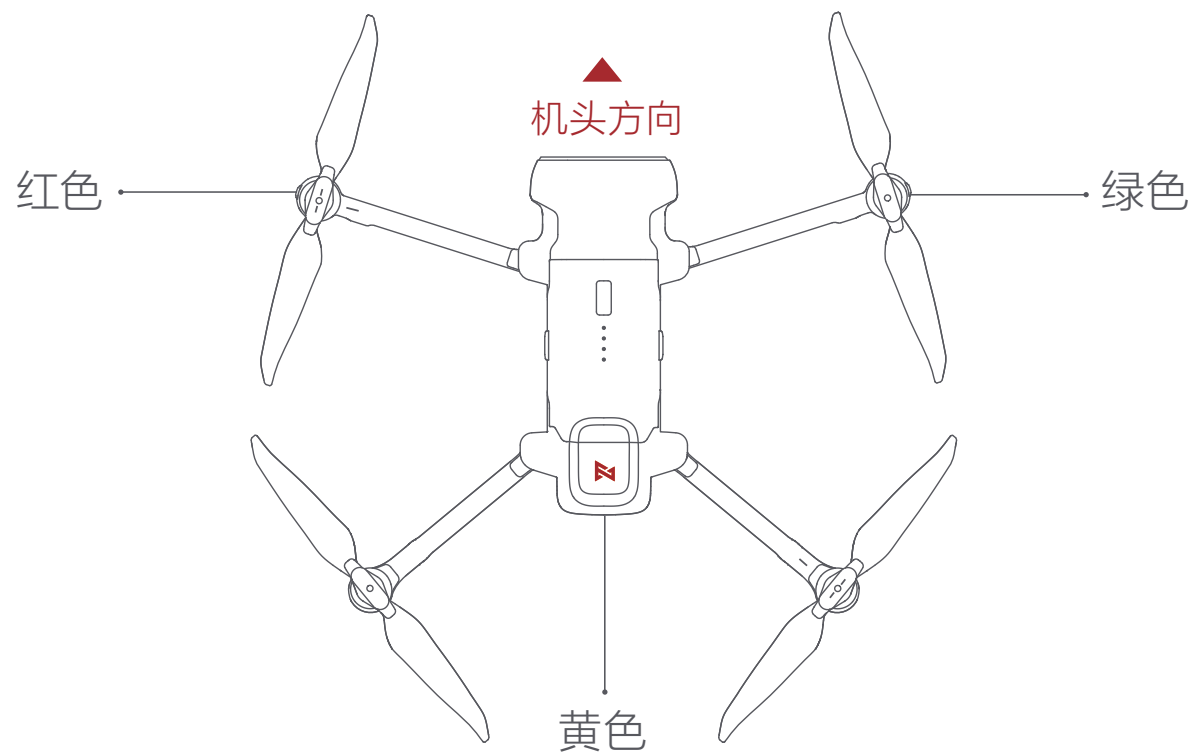


注: 右侧预留有连接线插槽

准备飞行

1 确认飞行器方向

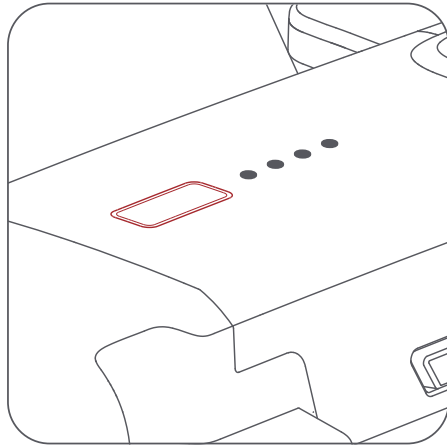
- 云台相机位置为机头方向
- 飞行器开启后也可以通过电机下方的航行灯颜色来判定方向
- 红色指示灯、绿色指示灯为机头方向, 黄色指示灯方向为机尾方向



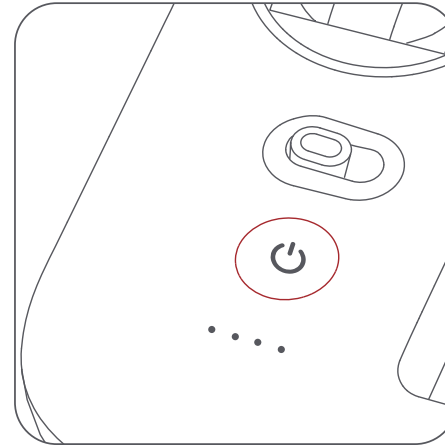
安全提示：操纵飞行器时保持机尾对着操作者，避免方向判断错误

2 打开/关闭飞行器和遥控器

- 短按+长按 2秒电源键开机/关机
- 短按电源键检查电池电量



飞行器



遥控器

飞行

1 自动起飞/降落

当自动起飞/自动降落键显示白灯时，即满足自动起飞/自动降落条件，按此键2秒飞行器可自动起飞/自动降落

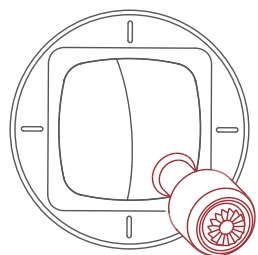


自动起飞

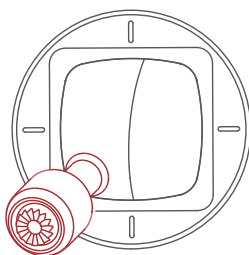


自动降落

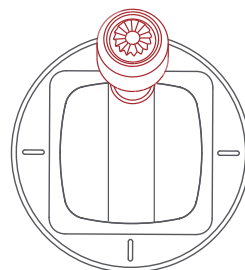
2 手动起飞/降落



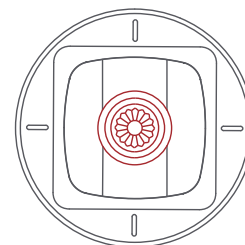
左摇杆



右摇杆

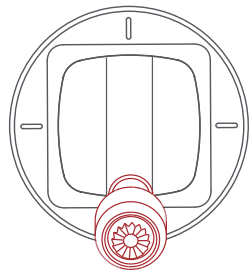


左摇杆

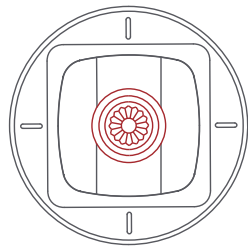


右摇杆

- 将遥控器两个摇杆向内下方拨动至最大程度，呈内八字形并保持3秒以上，螺旋桨开始转动
- 螺旋桨开始旋转后，同时松开两个摇杆回中，左摇杆向上推动，飞行器起飞
- 起飞后，松开摇杆飞行器悬停
- 在飞行过程中，松开遥控器的两个摇杆，飞行器自动悬停当前坐标位置



左摇杆



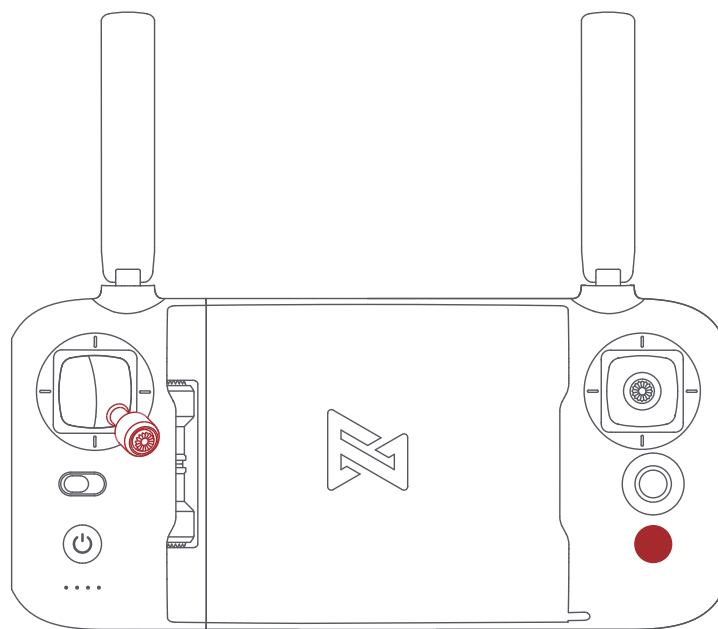
右摇杆

- 降落时, 左摇杆缓慢稳定向下拉, 使得飞行器稳定下降
- 在飞行器降落地面后, 保持最低油门杆量直至电机停止转动

安全提示: 飞行器无防水功能, 切勿降落在水面。为安全起见, 切勿降落在斜面

3 紧急停桨

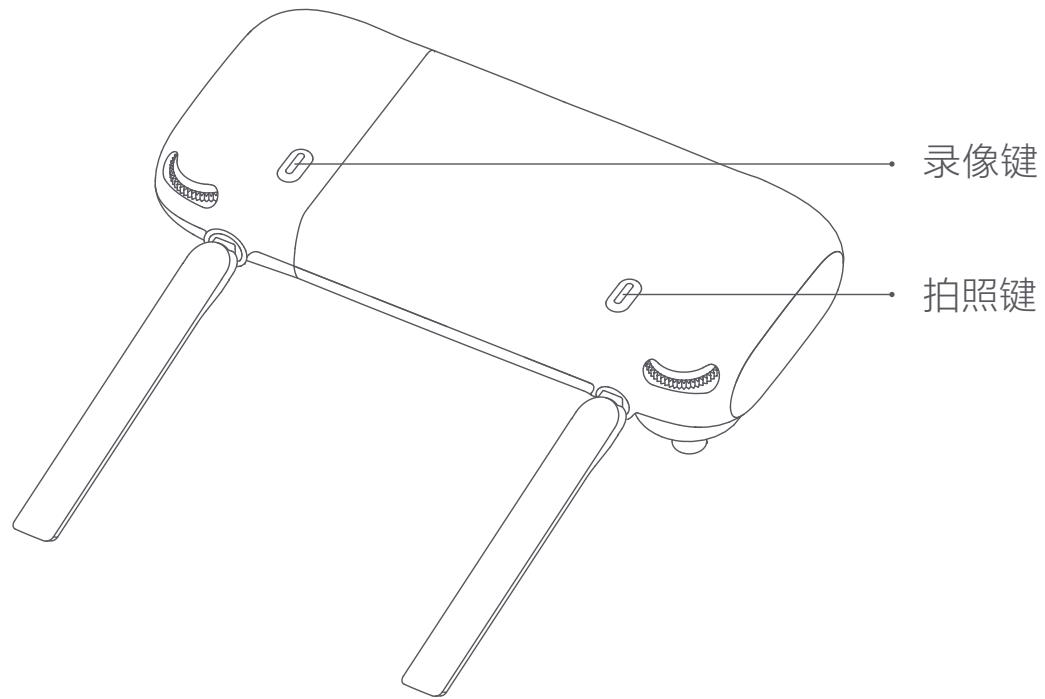
如果出现飞行器电机不能正常停止时, 请将左摇杆向内下方拨动至最大程度, 并同时按下遥控器自动起飞/自动降落键5秒后, 电机将停止



安全提示: 正常飞行时, 切勿进行上述操作, 以防电机在空中停转

4 拍照与录像

- 按一下拍照键, 听到两声短鸣, 相机拍摄一张照片
- 按一下录像键, 开始录像; 再按一下录像键, 听到四声短鸣, 停止录像
- 左滚轮上下拨动可以控制调节云台的俯仰角度
- 右滚轮可以调节相机EV/ISO值



指示灯说明

1 飞行器指示灯

	指示状态	飞行器状态
1	红绿黄灯呼吸	自检中
2	红绿黄灯常亮	飞行器在地面: 自检失败
		飞行器在空中: 内部故障
3	红灯、绿灯闪烁, 黄灯常亮	可以起飞/正常飞行中
4	红绿黄灯双闪	电池低电量警告
5	红绿黄灯爆闪	飞行中电量极低, 需要尽快降落
6	红绿灯快闪	固件升级中

2 遥控器指示灯

	指示灯状态	遥控器状态
1	电源键红灯常亮	遥控信号弱
2	电源键红灯闪烁	未连接到飞行器
3	电源键红灯快闪	进入对码状态或固件升级
4	电源键白灯常亮	遥控器与飞行器连接信号正常
5	电源键白灯闪烁	录像中
6	自动起飞/自动降落键红灯常亮	不允许自动起飞或自动降落
7	自动起飞/自动降落键白灯常亮	允许自动起飞或自动降落

飞行安全



目视范围内

+



GPS信号良好

+



开旷无遮挡的环境

安全提示: 请确保在使用过程中与人、动物、树木、车辆和建筑物保持一定的距离; 远离机场、铁路、高速公路、高层建筑及电线杆等危险环境; 远离通讯基站、大功率天线等电磁信号复杂地区; 请勿在法规政策禁止使用本类产品的地点和时间使用本产品。请务必仔细阅读《免责声明和安全操作指引》

X8SE 2022三包政策

飞米无人机产品售后服务严格依据《中华人民共和国消费者权益法》、《中华人民共和国产品质量法》实行售后三包服务, 服务内容如下:

- 1、自您签收次日起7日内, 本产品出现《产品性能故障表》所列性能故障的情况, 经由飞米售后服务中心检测确定, 可免费享受退货或换货服务;
- 2、自您签收次日起8日-15日内, 本产品出现《产品性能故障表》所列性能故障的情况, 经由飞米售后服务中心检测确定, 可免费享受换货或者维修服务;
- 3、自您签收日起在《产品保修期》内, 本产品出现《产品性能故障表》所列性能故障的情况, 经由飞米售后服务中心检测确定, 可免费享受维修服务。

名称	性能故障
X8SE 2022	无人机无法开机, 不能正常飞行
	遥控器无法开机, 不能正常使用
	电池不能开机, 不能充电
	充电器不能正常工作
	云台不能正常工作
	相机不能录像或拍照, 或拍摄的录像或照片有严重品质缺陷
	在产品未使用情况下, 发现明显制造缺陷

产品保修期

名称	保修内容	保修时间
飞行器	电路组件	12个月
	云台相机	6个月
	电机	6个月
遥控器	整体	6个月
电池	整体	6个月且不大于150次充放电循环
充电器	整体	12个月
飞行器	机壳、脚架、机臂	无保修期
附件	USB线、说明书等	无保修期
螺旋桨	易损件	无保修期

非保修条例

- 1、未经授权的维修、误用、碰撞、疏忽、滥用、进液、事故、改动、不正确的使用非本产品配件，或撕毁、涂改标贴、防伪标记；
- 2、已超过三包有效期；
- 3、因不可抗力造成的损坏；

4、不符合《产品性能故障表》所列性能故障的情况；

5、因人为原因导致本产品及其配件产生《产品性能故障表》所列性能故障。

官方网址: www.fimi.com

在线客服: support@fimi.com

服务热线: 400-661-0908

制造商: 深圳市飞米机器人科技有限公司

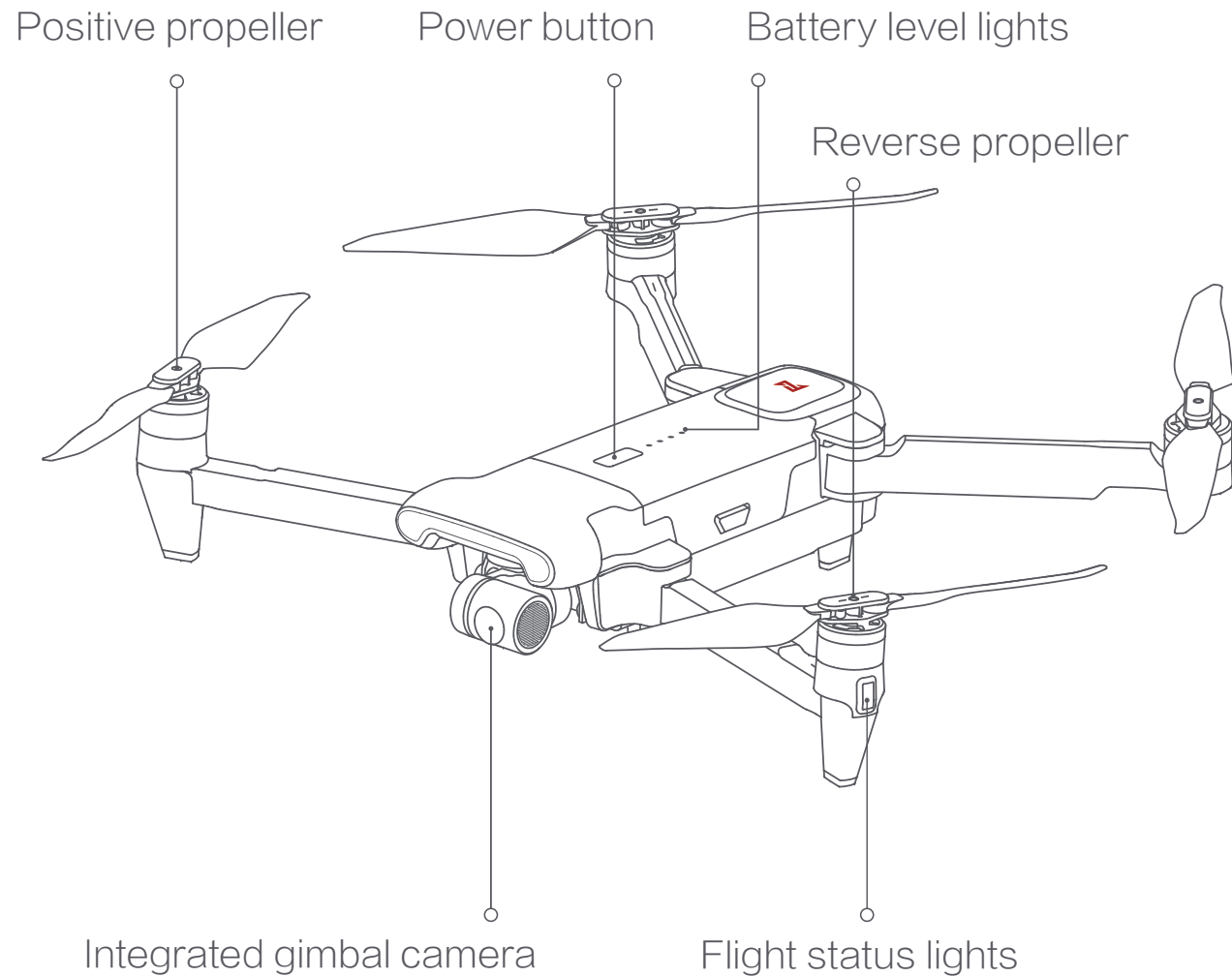
地址: 广东省深圳市南山区桃源街道学苑大道1133号田寮大厦东座2楼

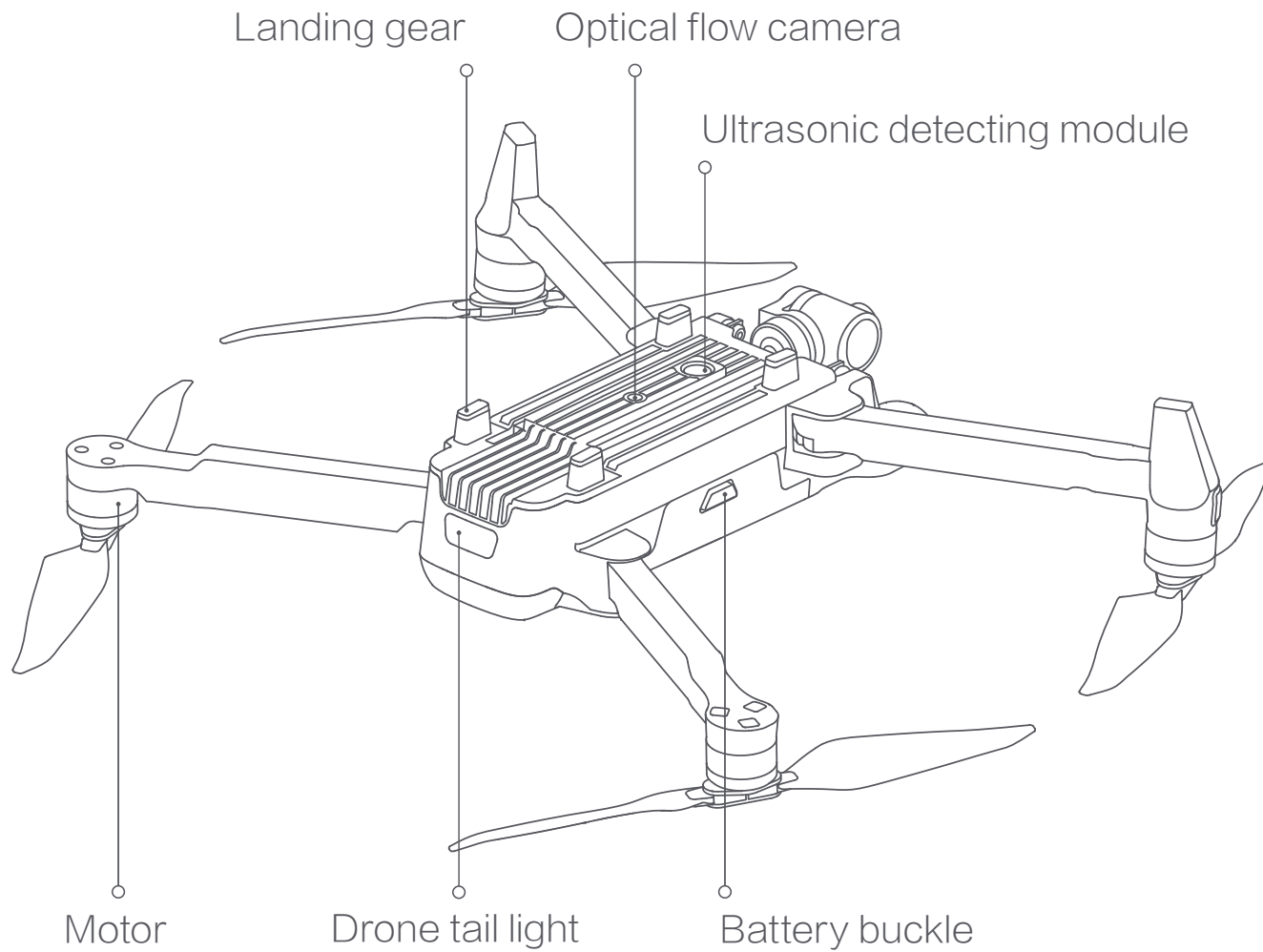


请扫描二维码下载FIMI Navi 2020 APP

Product Introduction

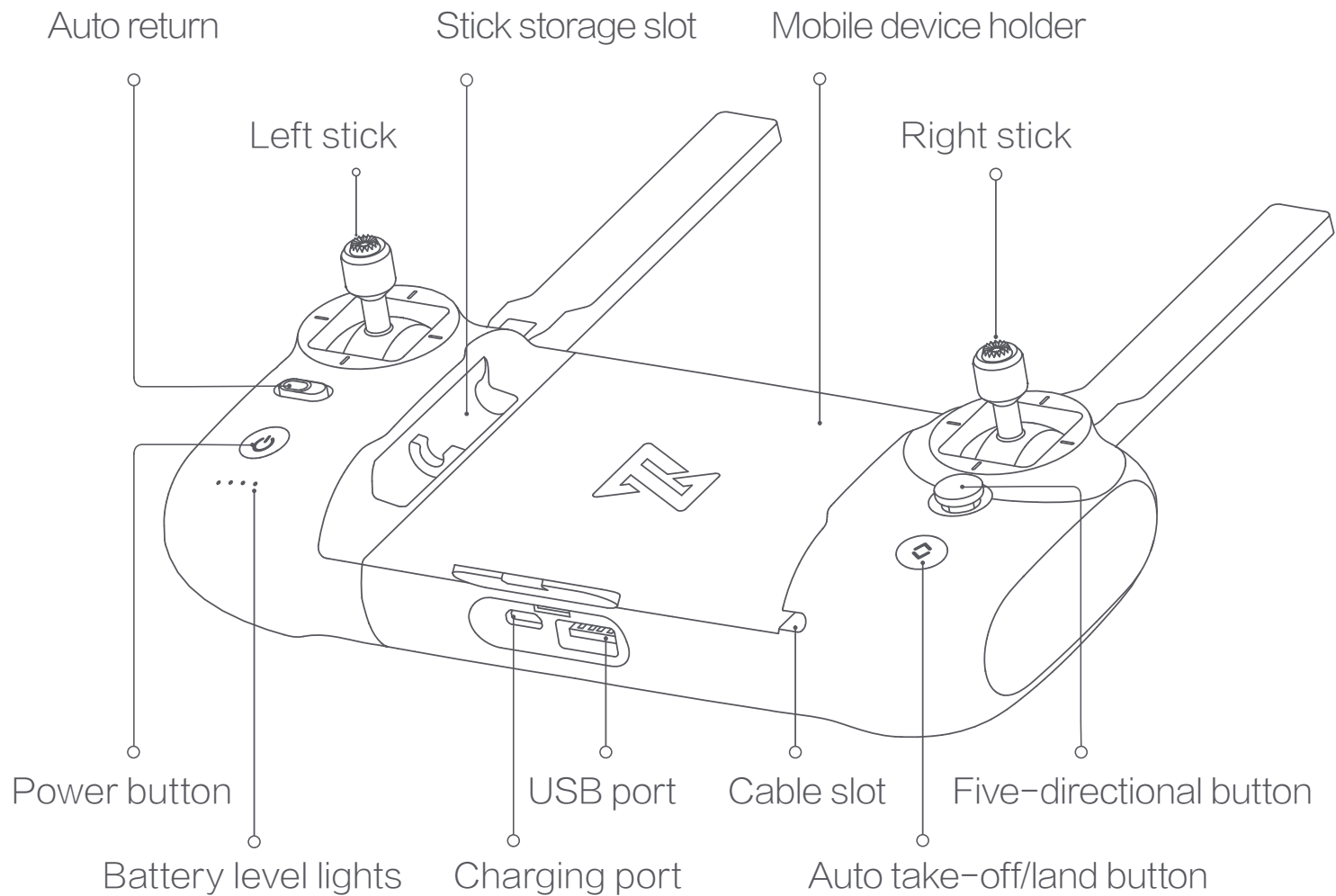
1 Drone

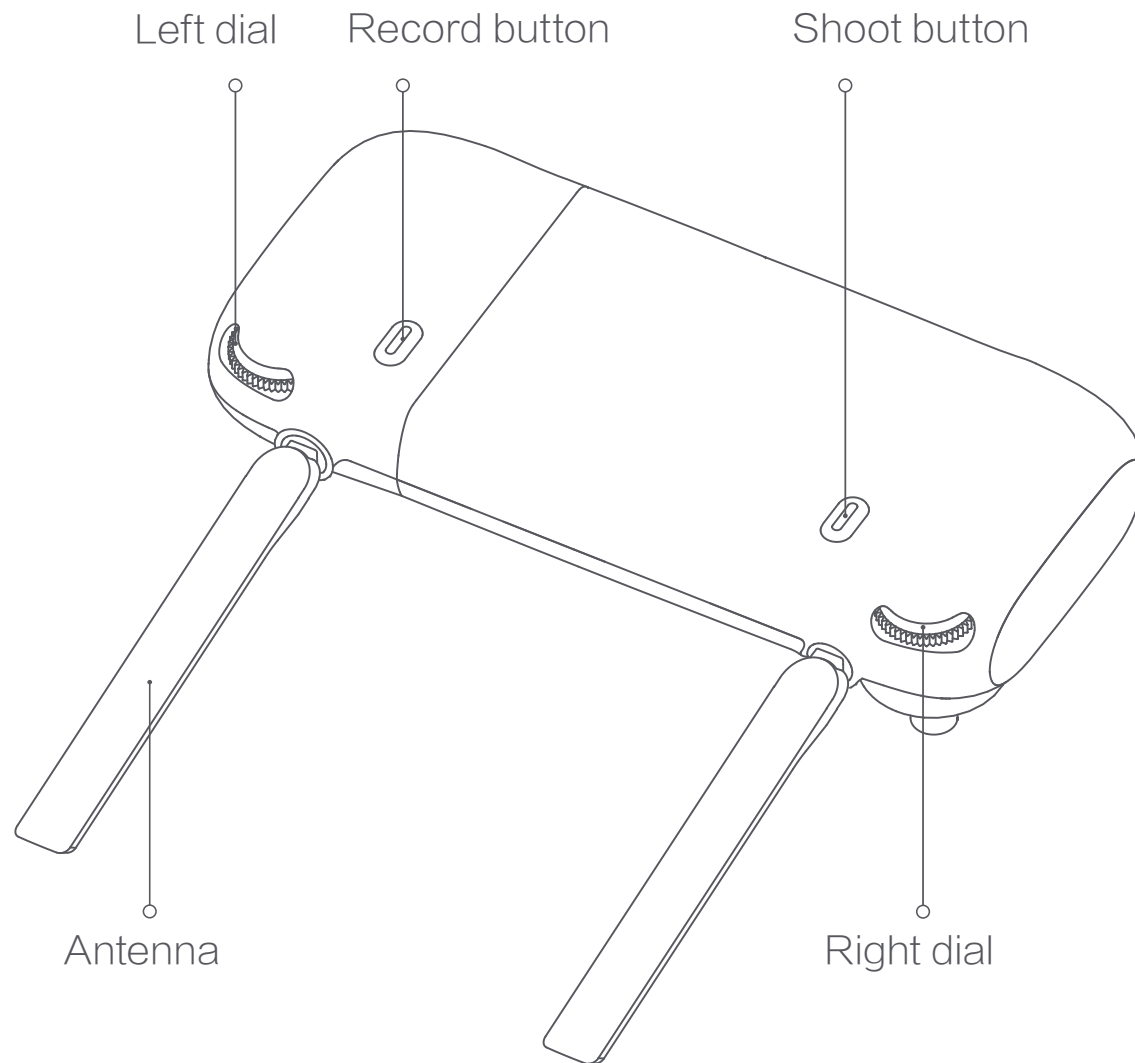




Product Introduction

2 Remote controller

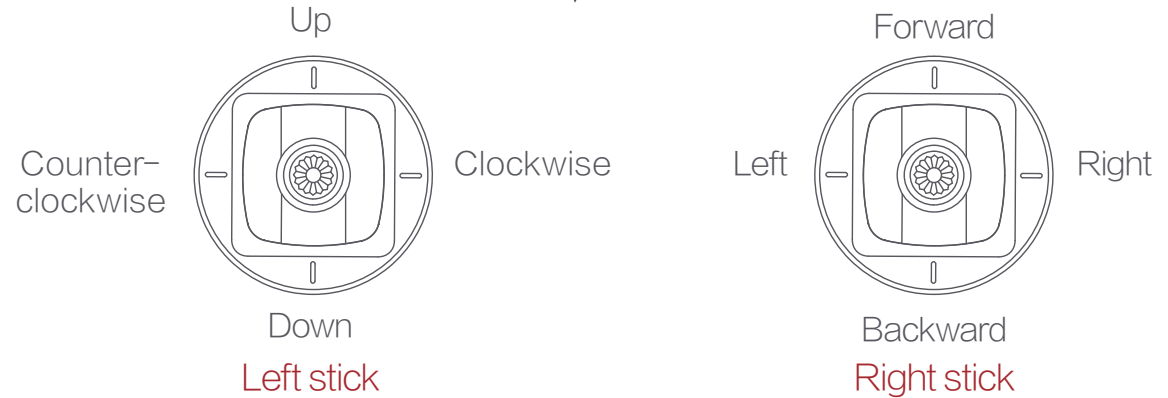
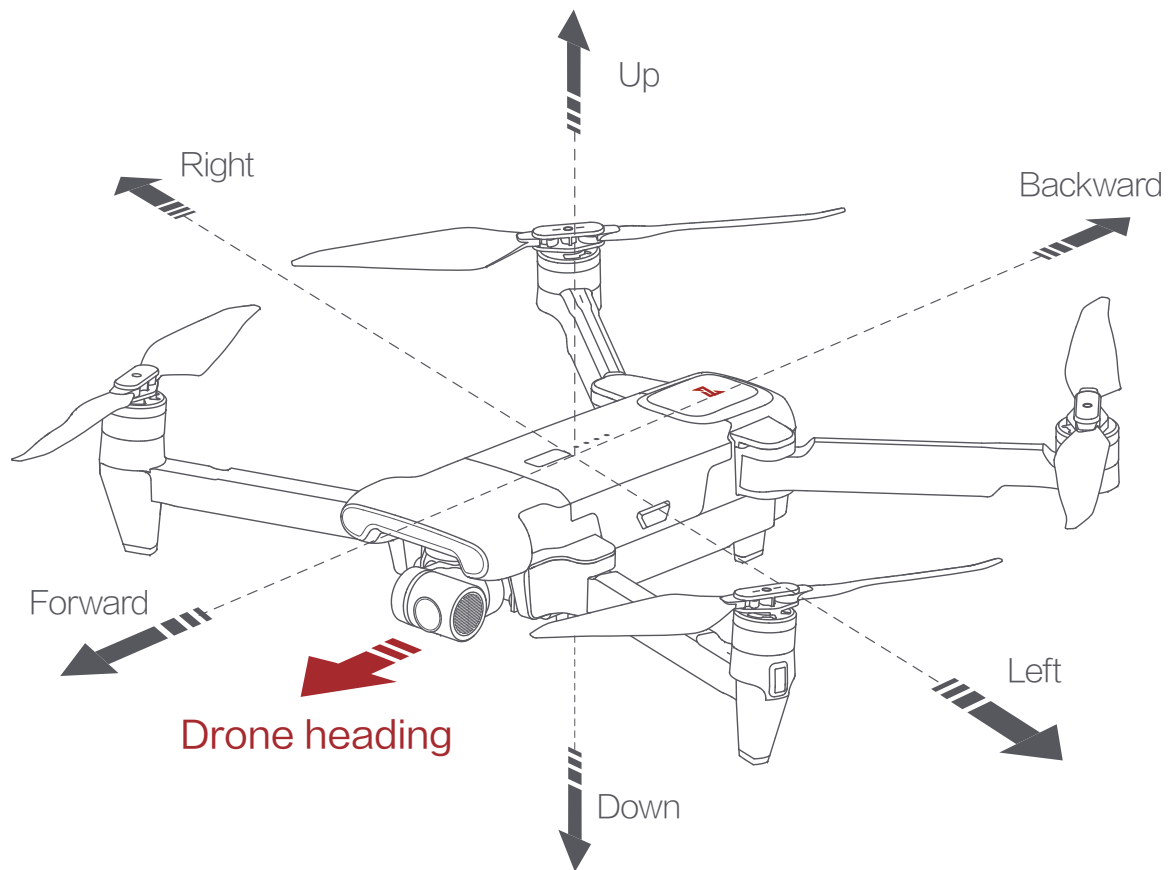




Function Introduction of RC

	Buttons		Function description
1	Left stick		Push stick upward, the drone goes up; pull stick downward, the drone goes down; toggle stick to left, the drone rotates counter-clockwise; toggle stick to right, the drone rotates clockwise
2	Right stick		Push stick upward, the drone flies forward; pull stick downward, the drone flies backward; toggle stick to left, the drone flies to left; toggle stick to right, the drone flies to right
3	Auto return		Toggle the button to the left, switching to normal flight Toggle the button to the right, switching to auto return
4	Auto take-off/land button		long press 2 seconds to auto take off/landing
5	Shoot button		short press to start / stop shooting
6	Record button		Short press to start /stop recording
7	Five directional button	Up	Default to switch between map / FPV
		Down	Default to switch between gimbal center/down
		Left	Default to turn on / off battery info interface
		Right	Default to turn on / off self-checking interface
		Center	Default to turn on/off media library
8	Left dial		Adjust the pitch angle of gimbal
9	Right dial		Adjust the value of EV / ISO
10	Power button		Short press to view the battery level Short press+long press 2 seconds to power on / off

Note: The other functions of the five-directional button can be set in the FIMI Navi 2020 App.



Note: The stick mode can be set in FIMI Navi app (the default is American hand).

Basic Specification

Drone

Product model: FMWRJ03A8
Dimensions: 204×106×72.6mm
Diagonal size: 372mm
Take off weight: About 768g
Flight time: About 35min*
Max ascending speed: 5m/s
Max descending speed: 4m/s
Max flight speed: 18m/s
Satellite positioning systems: GPS/GLONASS
Hover accuracy:
Vertical: ±0.1m (Within the ultrasonic detecting range)
±0.5m (when GPS positioning is active) Horizontal: ±1.5m
Operating temperature: 0° C ~ 40° C
Suitable altitude: ≤5000m
Operating frequency: 2.400–2.4835GHz
FCC ID: 2AYVYFMWRJ03A8

Charger

Rated input: 100–240V~50/60Hz 1.5A
Rated output: 13.05V = 3A
Rated power: 39.15W

Remote controller

Net weight: About 373g
Dimensions: 203.8×91×46.6mm
Operating frequency: 2.400–2.4835GHz
Type: Rechargeable lithium battery
Capacity: 3900mAh
Nominal voltage: 3.7V
Input: 5 V = 2A
Max transmission distance: About 10000m*
Operating temperature: 0 ~ 40° C
Suitable altitude: ≤5000m
FCC ID: 2AYVYYKQ03A8

Gimbal

Controllable rotation range: $0^{\circ} \sim -90^{\circ}$ (Pitch)

Angular vibration range: $\pm 0.005^{\circ}$

Lens: FOV 79°

Camera aperture: f1.6

Camera focal distance: 4.71mm

Equivalent focal distance: 25mm

Sensor: 1/2.0" SONY CMOS

ISO range: 100 – 6400

Shutter speed: 32 ~ 1/8000s

Max video resolution: 3840 x 2160 | 30fps | 25fps | 24fps

Max bitrate: 100Mbps

File system: FAT32

Image format: JPG, JPG+DNG

Video format: MP4

Memory card type: Micro SD (U3 and above) 8 ~ 256GB

Battery

Type: Rechargeable lithium battery pack

Weight: About 270g

Capacity: 4500mAh

Voltage: 11.4V

Limit voltage: 13.05V

Energy: 51.3Wh

Operating temperature: $0^{\circ} \text{C} \sim 40^{\circ} \text{C}$

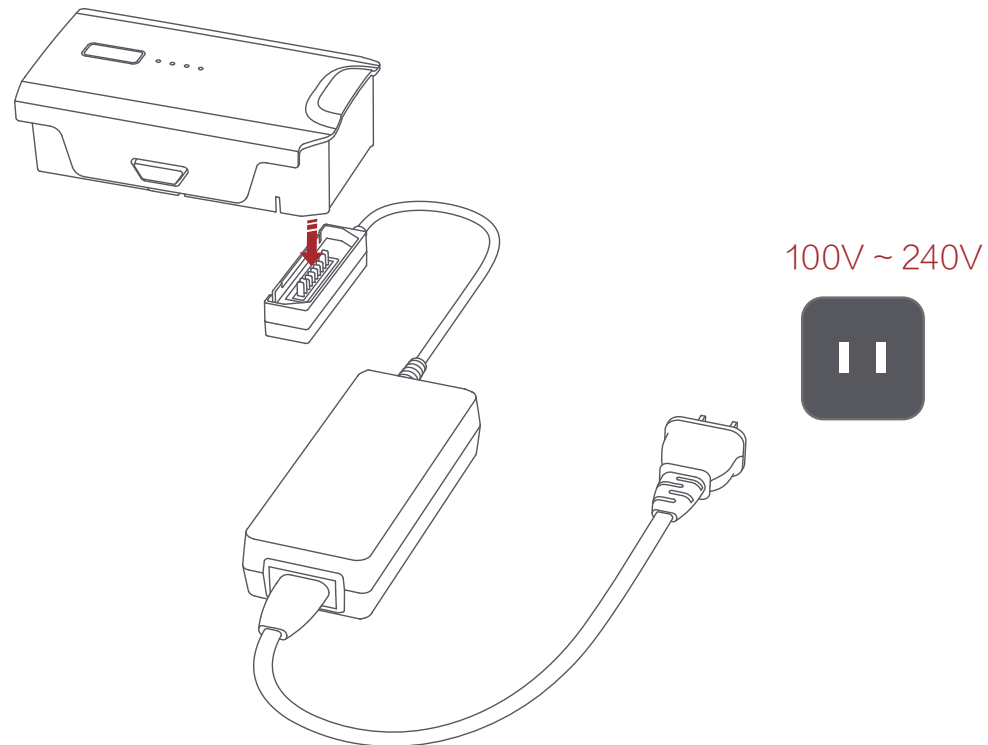
Note:

The 35 minutes flight time refers to constant speed at 6–8m/s (no wind) with fully charged and low cyclic battery. Remote control distance reach to 10km (FCC) in open area and no interference . All above testing and data come from FIMI laboratory, errors may occur in actual use for operating and environmental changes.

Charging

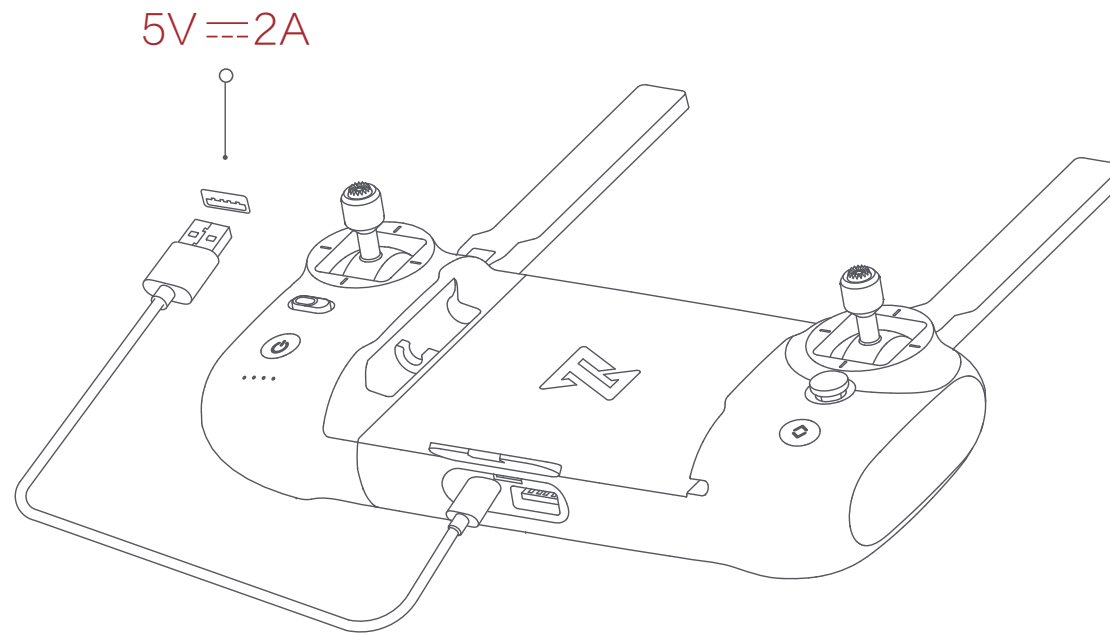
1 Charge drone battery

- Connect the battery, charger and AC cable as shown below, and plug the charger into a power outlet.
- When the battery is in charge, the battery level lights are flashing.
- When the battery is fully charged, the battery level lights go out.
- It takes about 2 hours to fully charge the battery.



2 Charge RC

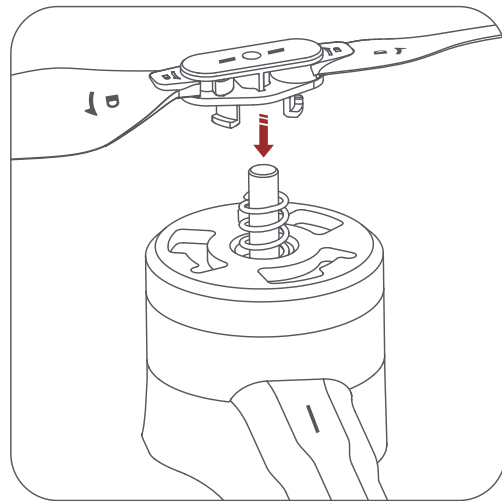
- Connect the remote controller to a power adapter as show below.
- When the RC is in charge, the battery level lights are flashing.
- when the RC is fully charged, the battery level lights go out.
- It takes about 2.5 hours to fully charge the RC in the powered off condition.



Assembly and Disassembly

1 Propellers

- Unfold the front and rear arms of the drone.
- Attach the gray marked propellers to the motor mounting base with gray marks on the arms.
- Ensure the propeller is pressed to the bottom of the mounting base.
- Rotate the propeller to the end of the lock direction until the propeller gets bounced and locked.
- Press the propeller forcefully and rotate the propeller along the unlock direction to remove the propeller.



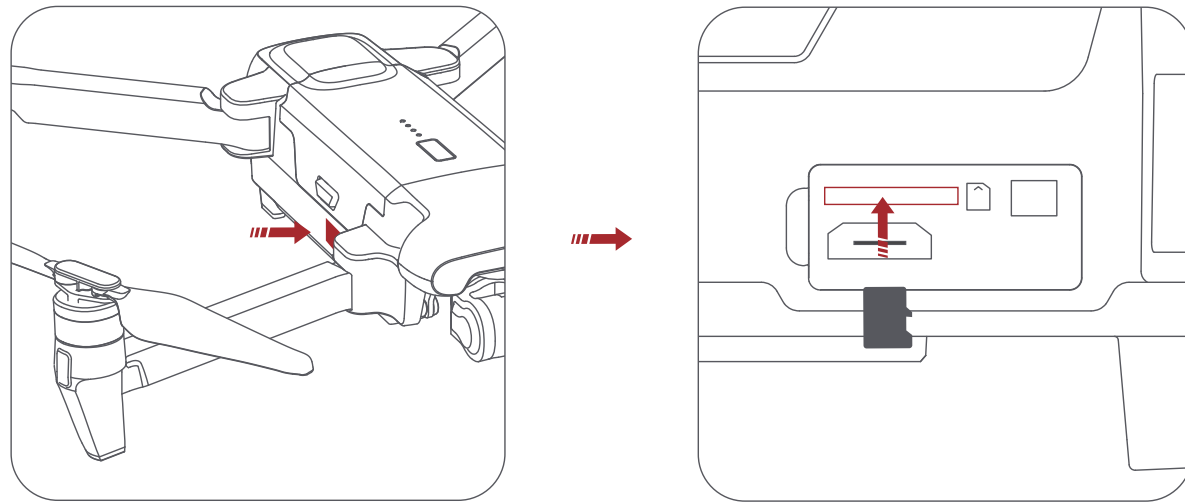
Safety tips:

If the propeller is damaged, please replace them to ensure flight safety and efficiency. Check if the propeller is properly installed and fastened before each flight. Stay away from the rotating propeller to avoid cutting.

Note: Take the installation of reverse propeller as an example.

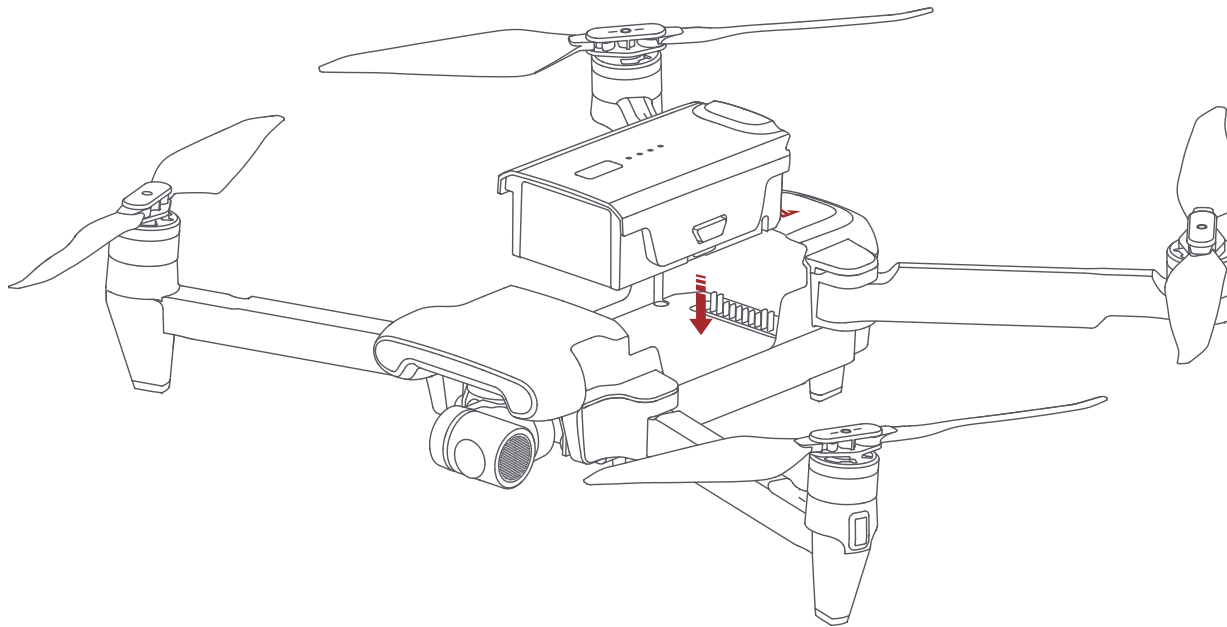
2 Drone Micro SD card

- When installing SD card to the drone, please unfold the arms of the drone first and open the protective cover.
- Insert the SD card with the literal upward into the SD card slot.
- When removing SD card, press the SD card to pop out.



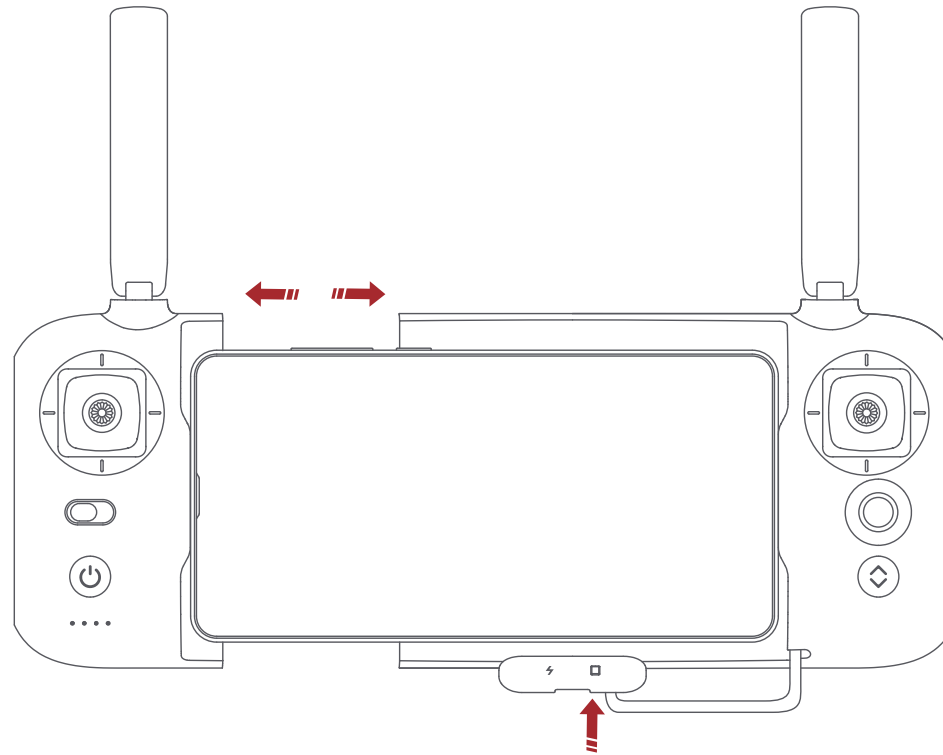
3 Battery

- Push hard the battery, after the battery installed in place, there will be a "click" sound.
- To remove the battery, you need to press the battery buckle on both sides to pull out.



4 Remote controller

- Tighten the mobile or pad on mobile device holder by extending the holder to the left.
- Open the protective cover on the RC bottom.
- Connect your phone and the RC with a USB cable.
- Connect the drone and update firmware according to instructions in FIMI Navi 2020 App.

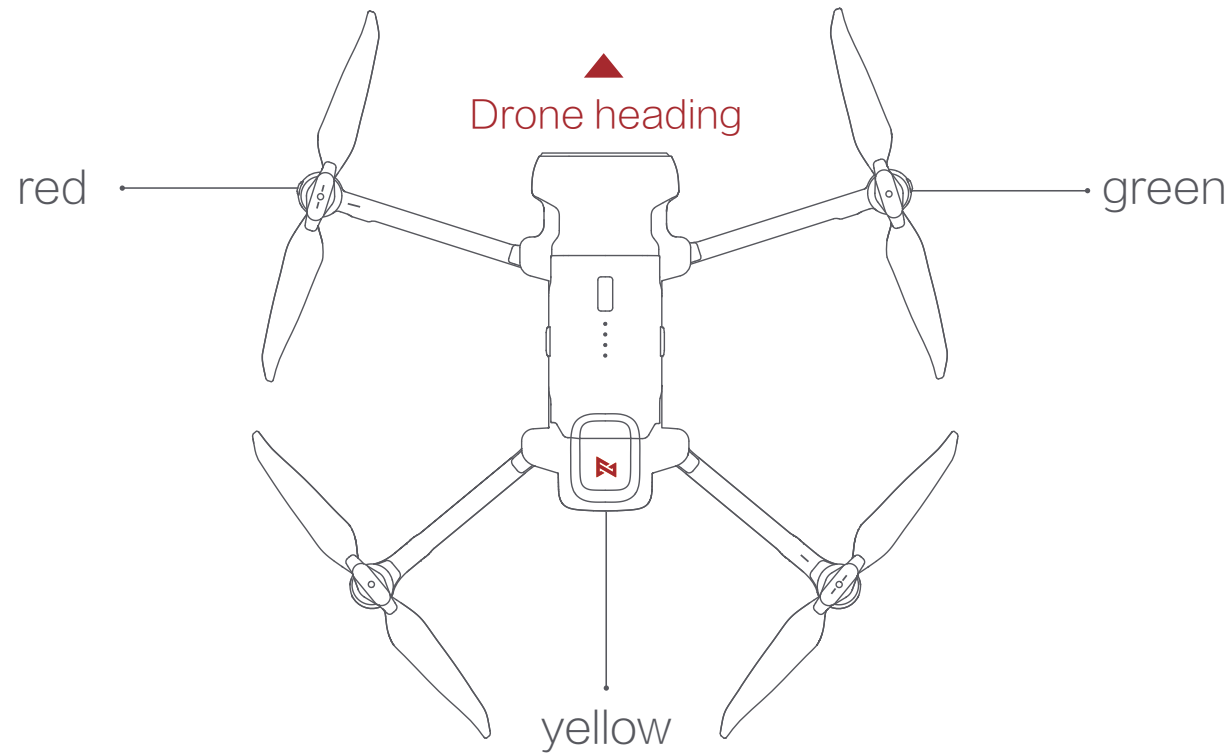


Note: The cable slot is reserved on the right .

Prepare to Fly

1 Confirm the drone heading

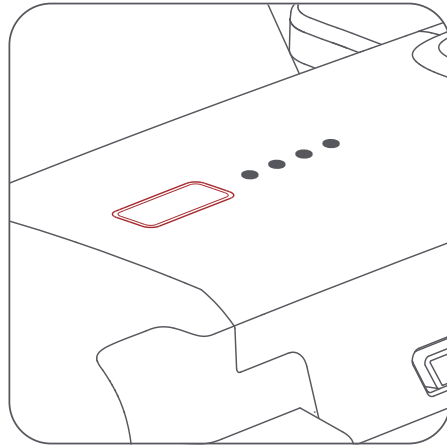
- The direction of build-in gimbal is the drone heading.
- Once the drone is turned on, the heading can be told by navigation lights.
- The red light and the green light indicate the heading, and the yellow light is the tail.



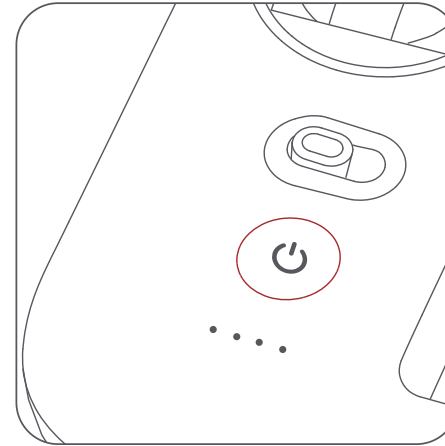
Safety tips: Always keep the tail pointed at the user to avoid direction misjudging.

2 Turning on/off the drone and the RC

- Short press+long press power button 2 seconds to power on/off.
- Short press to check battery level



Drone



Remote controller

Flying

1 Auto take-off/landing

The drone meets the auto take-off/landing condition when the auto take-off/landing button light is white. Press this button for 2 seconds to auto take off/landing.

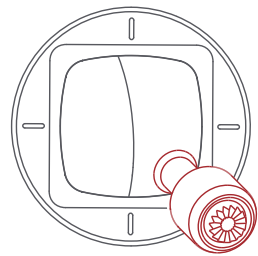


Auto take-off

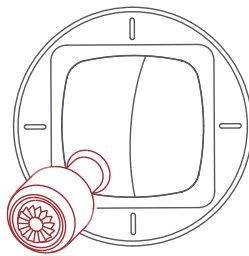


Auto landing

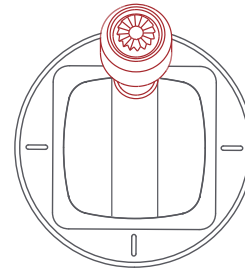
2 Manual take-off/landing



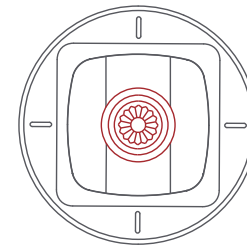
Left stick



Right stick

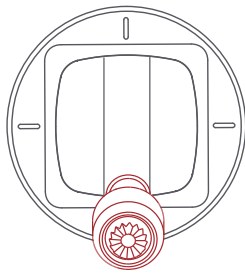


Left stick

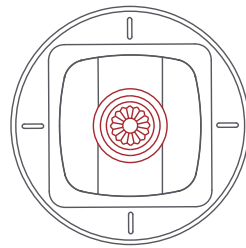


Right stick

- Keep both sticks to the bottom inner still over 3 seconds, the propellers start spinning.
- Release both sticks once propellers have been spinning, and firmly push the left stick upward to take off the drone.
- During flight, release both sticks to hover.
- At any time during controlled flight, release the sticks and the drone will hover automatically.



Left stick



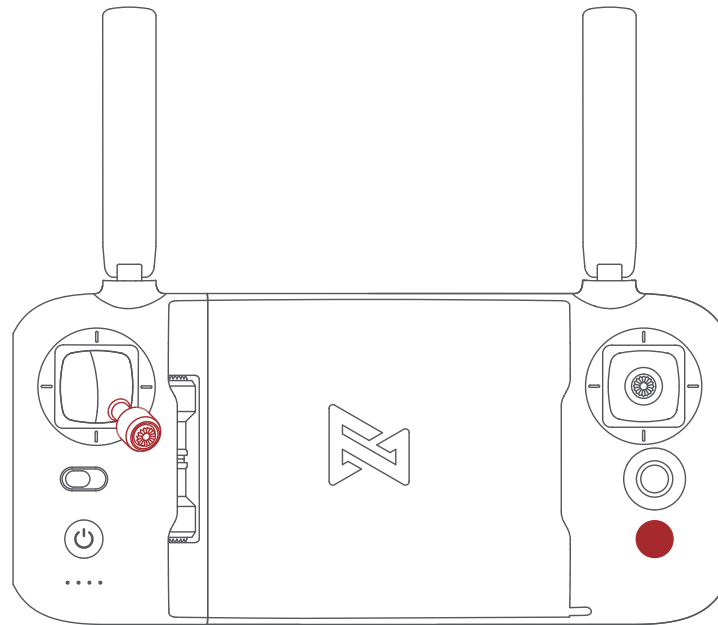
Right stick

- Slowly move the left stick downward to land the drone.
- Once the drone has landed, push and hold the left stick down over 5 seconds, the motors will stop.

Safety tips: The drone has no waterproof function. Please be careful of landing environment. Do not land on an inclined plane for safety.

3 Stop propellers in an emergency

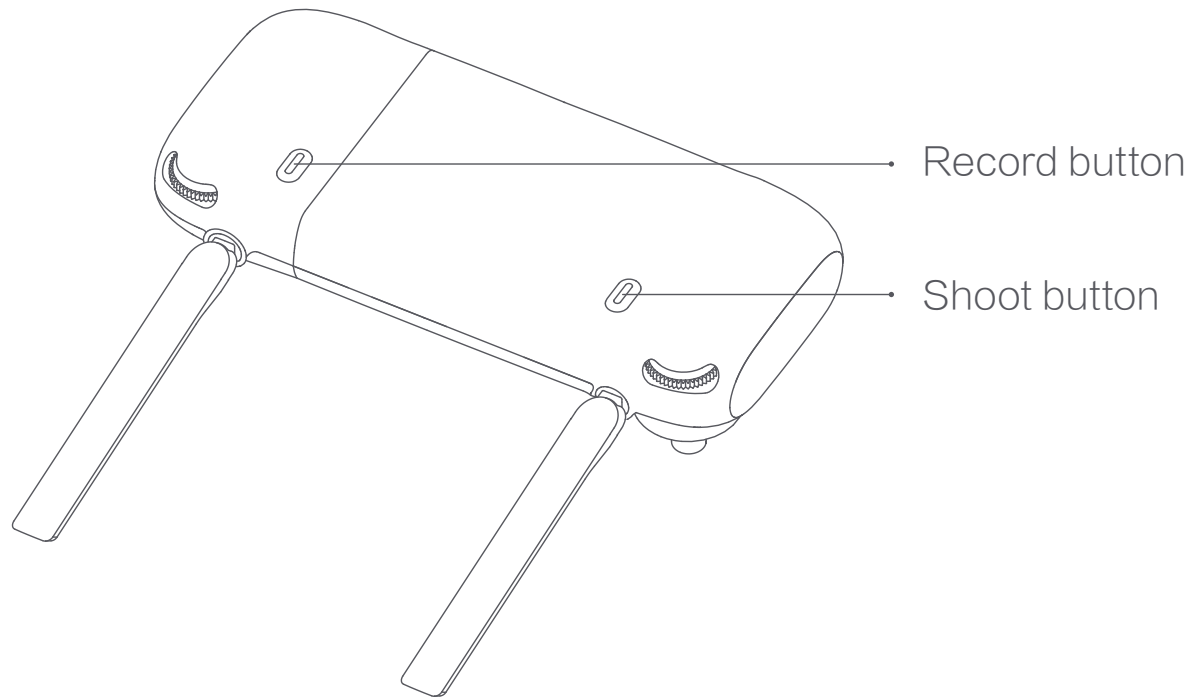
When motors can't properly turn off, please toggle the left stick to the bottom inner in maximum range, and press Auto take-off/landing button for 5 seconds simultaneously, the motors will stop.



Safety tips: Do not do the above operation during normal flight to avoid motors being stopped in the air.

4 Shooting and Recording

- Press the shoot button to take a photo. A photo is taken when you hear 2 short sounds.
- Press the record button to record video. Recording starts when you hear 2 short sounds. Press again to stop recording with 4 short sounds.
- During recording, short press the shoot button to capture a picture.(only support 1920x1080 25|30|50|60fps)
- The pitch angle of the gimbal can be controlled by toggling the left dial up and down.
- The right dial can adjust EV/ISO.



light Recognition

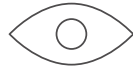
1 Drone lights

	Drone lights	Drone status
1	All lights is fading in and out	Self-checking
2	All lights are on	Drone on the ground: self-check fails
		Drone is flying: internal error
3	The yellow lights are on and the red and green light is flashing at regular intervals	Ready to fly/in flight
4	All lights flashing twice	Low battery alerts
5	All lights are flashing quickly	Very low battery alerts, land as soon as possible
6	The red and green flashing quickly	The firmware of the drone is updating

2 Remote lights

	Remote lights	Remote status
1	Power button's red light are on	Weak signal
2	Power button's red light flashes	Not connected to the drone
3	Power button's red light flashes	RC Pairing or upgrading firmware
4	Power button's white light is on	Normal signal
5	Power button's white light flashes	Recording videos
6	Auto take-off/landing button's red light is on	Auto take-off or landing not enabled
7	Auto take-off/landing button's white light on	Ready for auto take-off

Safety Flight



In visual range

+



Good GPS signal

+



Open and unobstructed
environment

Warm tips:

Fly only in open areas, and avoid people, animals, trees, vehicles and buildings. Keep away from airports, railways, highways, high-rises, electric wires and areas where drones are restricted. Keep away from telecommunication base stations, high-power antennas and areas with complex electromagnetic signals. Do not use this product in restricted areas. Be sure to read the Disclaimer and Safety Operation Instructions carefully.

This device complies with Part 15 of the FCC Rules. Operation is subject to the following two conditions:

- (1) this device may not cause harmful interference, and
- (2) this device must accept any interference received, including interference that may cause undesired operation.

FCC warning:

Any Changes or modifications not expressly approved by the party responsible for compliance could void the user's authority to operate the equipment.

Note: This equipment has been tested and found to comply with the limits for a Class B digital device, pursuant to part 15 of the FCC Rules. These limits are designed to provide reasonable protection against harmful interference in a residential installation. This equipment generates uses and can radiate radio frequency energy and, if not installed and used in accordance with the instructions, may cause harmful interference to radio communications. However, there is no guarantee that interference will not occur in a particular installation. If this equipment does cause harmful interference to radio or television reception, which can be determined by turning the equipment off and on, the user is encouraged to try to correct the interference by one or more of the following measures:

- Reorient or relocate the receiving antenna.
- Increase the separation between the equipment and receiver.
- Connect the equipment into an outlet on a circuit different from that to which the receiver is connected.
- Consult the dealer or an experienced radio/TV technician for help.

This equipment complies with FCC radiation exposure limits set forth for an uncontrolled environment. This equipment should be installed and operated with minimum distance 20cm between the radiator & your body.



Scan the QR code to download FIMI Navi 2020 App