

Technical data

Current consumption: max. 500 mA @ 5 V
 Battery (scope of delivery): 3.7 V / 950 mAh
 Temp. range: -20 °C to +60 °C

Frequency: 6489.6 MHz (UWB channel 5)
 Range: max. 30 m

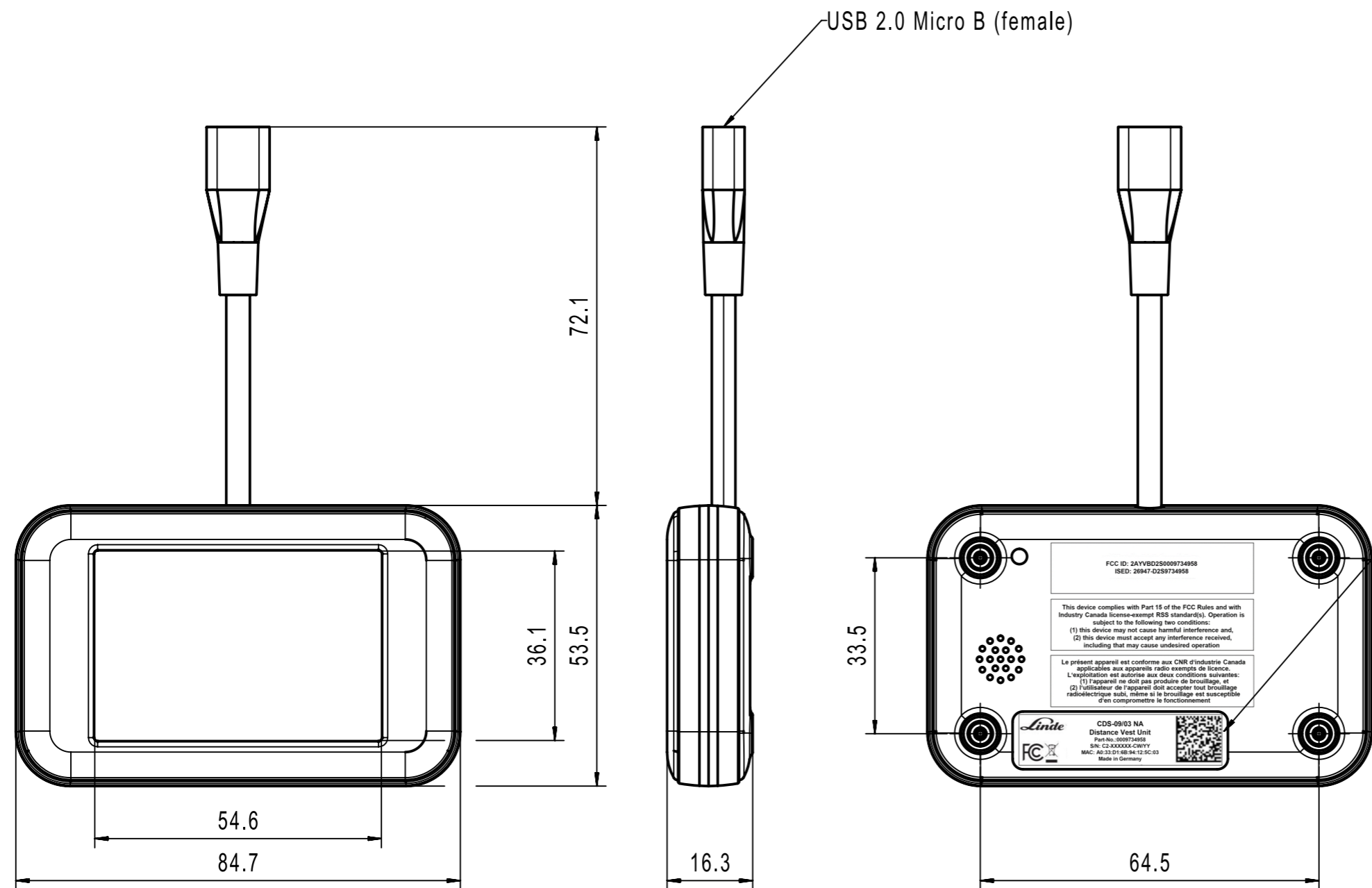
Firmware: see doc. no. 0008042523

Label

Dimensions:
 40x10 mm; Data-Matrix-Code
 min. 8x8 mm, type ECC200,
 according to ISO/IEC16022,
 minimum content:
 part no.; serial no.;
 separator sign ";"
 (semicolon)

Labeling:
 CDS-XX/XX NA
 Distance Vest Unit
 Part no.: 0009734958
 Serial no.: XX-XXXXXX-WW/JJ
 MAC:XX:XX:XX:XX:XX:XX:XX:XX
 Input: 5 V DC - 0.5 A
 Made in Germany

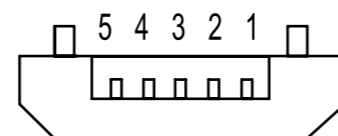
+ further necessary markings
 according to actual legal position



Display foil



Pin allocation connection Vest Unit (male)



Pin allocation (not USB compliant)

1	5 V
2	-
3	GPO 3.3 V
4	-
5	GND

First angle projection	00	Drawing created	T210748										
General tolerance (GT) in mm Size range / WN 10530-1	Index	alteration	Change no	Fit	Toler.								
<table border="1"> <tr> <td>≤ 30</td> <td>> 30 ≤ 120</td> <td>> 120 ≤ 400</td> <td>> 400 ≤ 1000</td> </tr> <tr> <td>≤ 120</td> <td>≤ 400</td> <td>≤ 1000</td> <td></td> </tr> </table>	≤ 30	> 30 ≤ 120	> 120 ≤ 400	> 400 ≤ 1000	≤ 120	≤ 400	≤ 1000		PPAP-Level 3 / WN 50020	Material:			Weight: in Kg
≤ 30	> 30 ≤ 120	> 120 ≤ 400	> 400 ≤ 1000										
≤ 120	≤ 400	≤ 1000											
GT fine	Inspection dim. ()	Aux.dim. ()	Blank no:										
L 0,2 0,5 0,8 2 4	Drawn	Date	Name	Title:									
∠ 0,1 0,2 0,4 1 2	Checked			warning unit									
Lengths (L) and angle (∠) = ±GT	Auth'd			Distance Vest unit NA									
Tolerance Symbols ISO 1101	M.check.			Prod.									
○ roundness = 1/2σ-Tol.	<div style="text-align: center;"> <p>Only for information</p> </div>				Scale								
-□ straightness/flatness = GT					1:1								
⊙ coaxiality/run out = GT					Sheet:								
≡ symmetry = GT					of:								
// parallelism = GT	EN	Confidential document	0009734958	1	1								
⊕ position = GT	EN	Refer to protection notice ISO 16016	Repl.	Orig.									