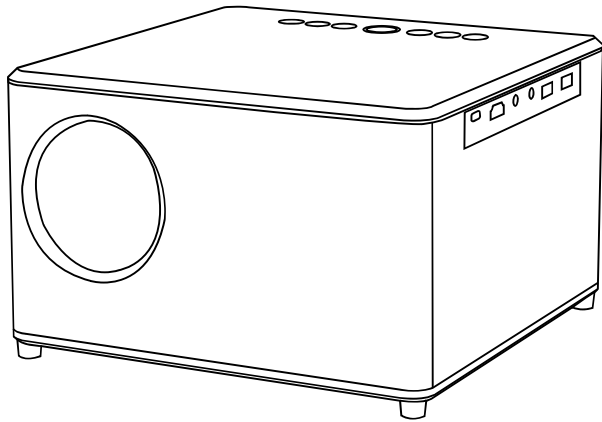


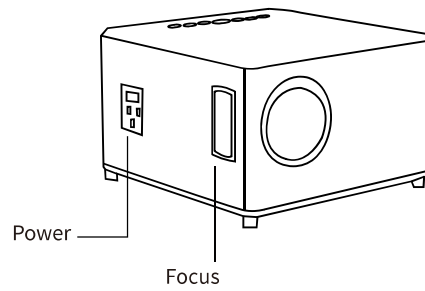
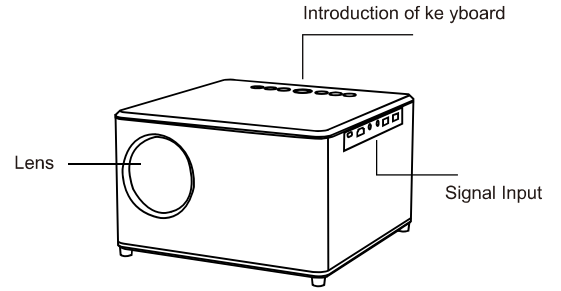
PORTABLE PROJECTOR

USER'S MANUAL

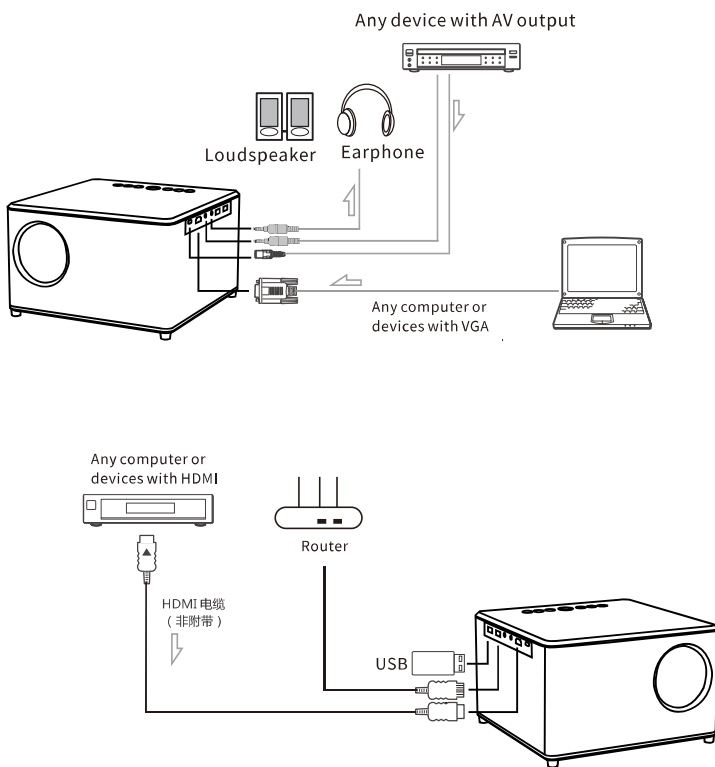


Knowing Your Projector

PARTS AND FUNCTIONS OF PROJECTOR

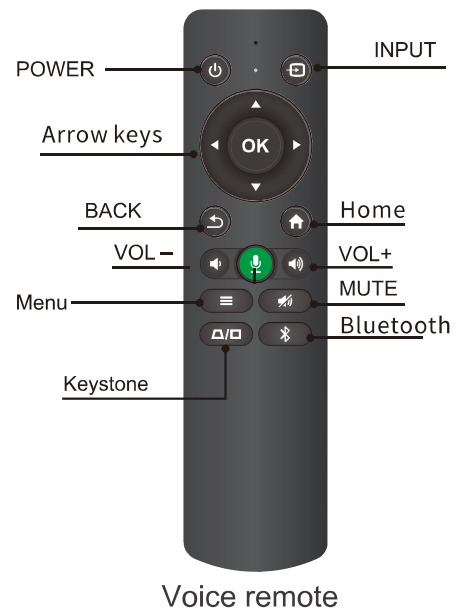


Equipment and connection



Knowing Your Projector

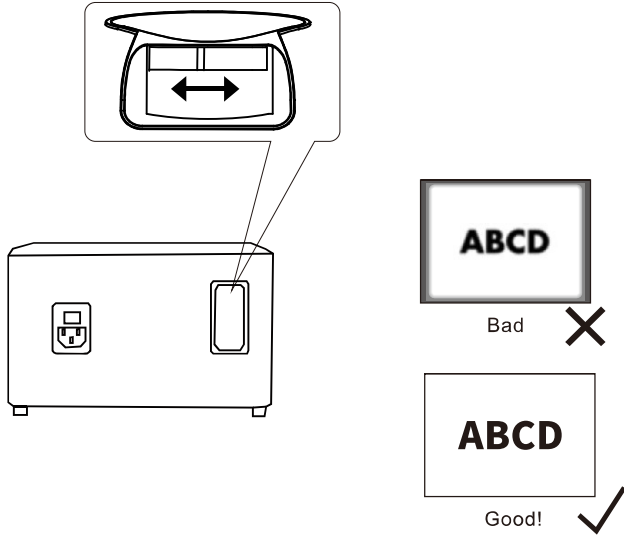
PARTS AND FUNCTIONS OF PROJECTOR



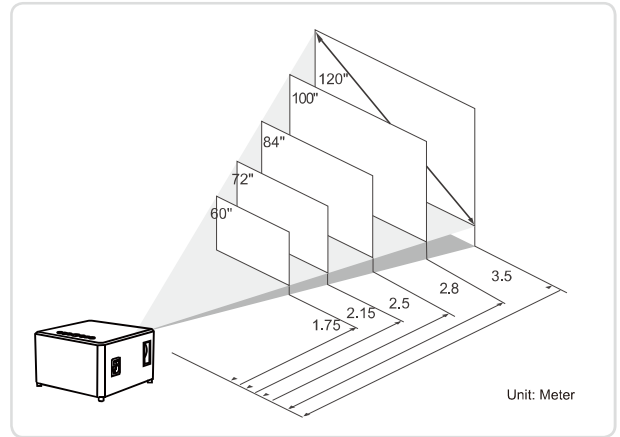
Let's Begin
First USE

Adjust the image (Blurred image)

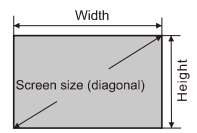
Adjust the focusing ring on the projector to obtain the satisfactory imaging effect.



The data is only for reference
Projection distance and size



Alleged screen size (inch)	Screen size width x height (m)	Projector distance (m)
60"	1.32x0.78	1.75
72"	1.56x0.93	2.15
84"	1.83x1.1	2.5
100"	2.2x1.32	2.8
120"	2.62x1.55	3.5



Design allowable error +/-8%
This table measures the front end and the center of the lens and assumes that the projector is horizontally placed.

Start to use
Projector settings

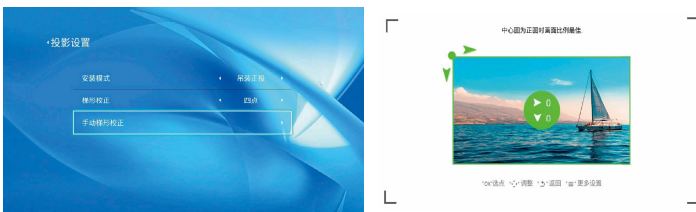
Adjust the image (Keystone distortion)

When keystone distortion occurs, it is recommended to adjust the keystone correction projection setting.

vertical trapezoid correction



Four point electron trapezoid correction



Let's Begin-HOME
Network Set



1. Enter the "Home" interface, select the "Network Set" icon, and press "OK" to enter "WLAN Set menu".



2. On the WLAN Settings menu, select the network to be connected.

3. Enter the WIFI password to connect to the network.

Let's Begin-HOME Airplay

1. Enter the "Home" interface, select the "APP" icon .

2. Airplay

Method 1: Connect your phone and projector to the same WIFI. Open the "Screen mirroring" function of iOS device, at this time, the iOS device will pop up the name of projection device, click the name to realize the wireless co-screen of iOS device and projection device.



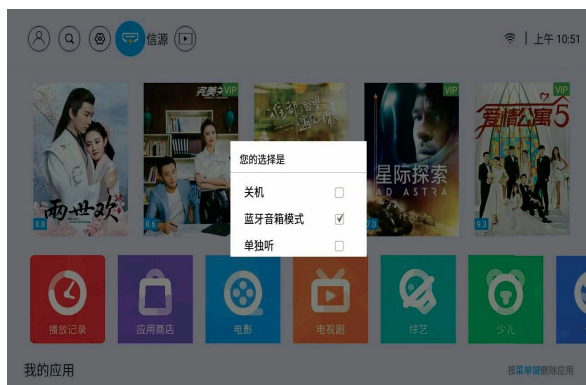
Let's Begin-HOME Miracast

1. Enter the "Home" interface, select the "APP" icon .

2. Open the Android device, go to "Device connectivity" under the setting, click "Wireless Projection", and search the network name of the projection device "KeTing-1627" (as below pic shows), then select the projector name to realize wireless connection function.



Let's Begin Stereo mode



Bluetooth speaker mode

Projector boot into the home page, press the switch on the remote machine key or music, screen out the stereo mode menu, select the bluetooth speaker mode after press OK key, this time authorities closed, hear into waiting for matching mode, bluetooth speaker mode prompt can be set up by mobile phone and other bluetooth connection projector playing music, press the music key to exit the bluetooth speaker model, open access projection model.

Listening mode

Projector to open music applications such as QQ music, when playing music, press the switch button or music button on the remote control, audio mode menu will appear on the screen, select separate listening, press THE OK button, this time off, press the music button to exit the separate listening mode, light machine open into the projection mode.

This device complies with Part 15 of the FCC Rules. Operation is subject to the following two conditions: (1) This device may not cause harmful interference, and (2) this device must accept any interference received, including interference that may cause undesired operation.

NOTE: This equipment has been tested and found to comply with the limits for a Class B digital device, pursuant to Part 15 of the FCC Rules. These limits are designed to provide reasonable protection against harmful interference in a residential installation. This equipment generates, uses and can radiate radio frequency energy and, if not installed and used in accordance with the instructions, may cause harmful interference to radio communications. However, there is no guarantee that interference will not occur in a particular installation.

If this equipment does cause harmful interference to radio or television reception, which can be determined by turning the equipment off and on, the user is encouraged to try to correct the interference by one or more of the following measures:

- Reorient or relocate the receiving antenna.
- Increase the separation between the equipment and receiver.
- Connect the equipment into an outlet on a circuit different from that to which the receiver is connected.
- Consult the dealer or an experienced radio/TV technician for help.

Warning: changes or modifications not expressly approved by the party responsible for compliance could void the user's authority to operate the equipment.

Radiation Exposure Statement
This equipment complies with FCC radiation exposure limits set forth for an uncontrolled environment.
This equipment should be installed and operated with minimum distance 20cm between the radiator and your body.

