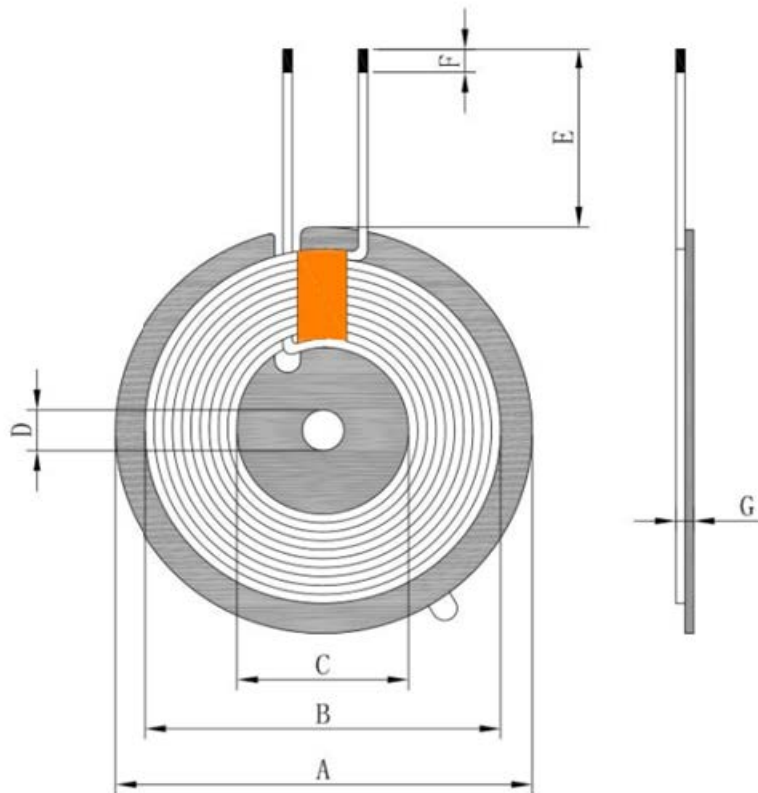


CUSTOMER	00018	CUSTOMER'S P/N	
ISSUE DATE	2022/8/12	PRODUCT SPEC	ZH-4016-Q48

2.DIMENSION: (mm)



A	49±1.0
B	43.0REF
C	20.0±0.5mm
D	φ5.2±0.5
E	15±2.0
F	3.0 MAX
G	2.0±0.5

Note: Apply double-sided adhesive tape on the back of the magnetic disc