

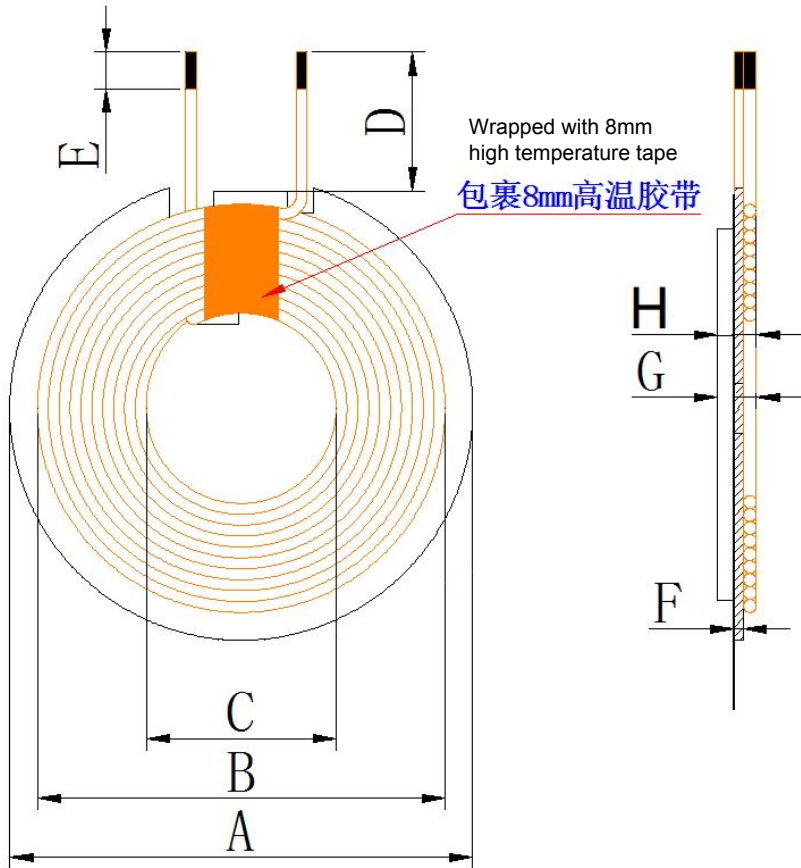
# 中惠智造（深圳）科技有限公司

ZHONGHUI MANUFACTURING(SHENZHEN)TECHNOLOGY CO.,LTD

## SPECIFICATION FOR APPROVAL

CUSTOMER		CUSTOMER'S P/N	<b>T.7.0037</b>
ISSUE DATE	<b>2022. 8. 23</b>	PRODUCT SPEC	<b>ZH-SX-T. 7. 0037</b>

2.DIMENSION:



A	50±0.5
B	43±1
C	20.5±0.5
D	17±2.0
E	4±1.5
F	1.0±0.1
G	7.0±0.1
H	9.0±0.5MAX

unit: mm

ISSUE		CHECK		APPROVAL	
BY		BY		BY	