

Model: M680GMA2

Vesta G | Product Manual



MATSUYAN
Life made simple

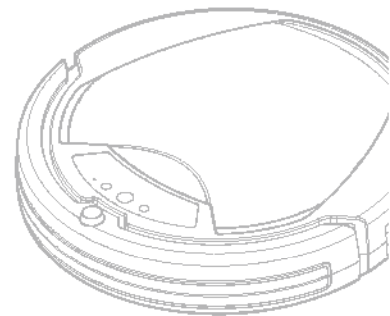
MATSUYAN

Life made simple



TABLE OF CONTENTS

SAFETY INSTRUCTIONS	1
– SAFETY INSTRUCTIONS	
– WARNING	
– BATTERY AND RECHARGING INSTRUCTIONS	
SPECIAL FEATURES	5
MAJOR COMPONENTS AND ATTACHMENTS	5
M680GMA2 OVERVIEW	6
INSTALLATION GUIDE	7
– Installing and Removing Side Brush	
– Recharging Battery	
– Proof Test	
– Preparation of Room Containment	
GENERAL OPERATION	11
– Preparation for Operation	
– Control Panel	
– Download APP and scheduling setting	
– EASY AS 1,2,3 to control the robot by using APP	
– Basic Operation	
CLEANING AND MAINTENANCE	19
– Maintenance Method	
– Cleaning Dust Bin	
– Cleaning Side Brushes	
– Cleaning Intake	
– Cleaning Brush Roll	
– Maintenance of Main Wheels	
– Battery Installation and Removal	
TROUBLE SHOOTING	26
SPECIFICATIONS	27
– Wireless Advisories	
– Disposal and Recycling	



SAFETY INSTRUCTIONS

Please read the safety instructions in the Operation Manual before operating M680GMA2 and keep this manual handy for your future reference. Observe the basic safety rules to prevent any occurrence of fire, electric shock and personal injury.

SAFETY INSTRUCTIONS:

- ①. Please read the Operation Manual before operating M680GMA2.
- ②. Do not operate M680GMA2 outdoors.
- ③. Before starting M680GMA2, be sure to install M680GMA2 dust bin filter properly in case of any damage of M680GMA2.
- ④. Do not operate on wet floor or moist conditions, e.g. bathroom. Water and moisture could damage the circuit board in M680GMA2.
- ⑤. Prior to operate M680GMA2, remove any loose items on the floor such as clothing, paper, cables, and extension cords.
Make sure to lift curtains and drapes off the floor to avoid any possible accidents. In case of a cable is tangled with M680GMA2 the cable might move around with M680GMA2 as it works and topple down the table, chairs, or cabinet and cause properly damage.
- ⑥. Never sit or stand on M680GMA2. Watch out for children or pets while M680GMA2 is in operation.
- ⑦. Never use M680GMA2 to clean up sparking cigarette butts or burning ashes from fireplace.
- ⑧. While M680GMA2 is in operation, make sure all doors leading outside are closed.
- ⑨. During operation, ensure that heat vent is not clogged. If heat vent clogs, M680GMA2 could be damaged.
- ⑩. If M680GMA2 malfunctions or is damaged by force, do not operate unit, regardless of the cause.
Please call your local dealer for service information.
- ⑪. Turn off the power and remove the battery from M680GMA2 if the unit will not in use for a long period of time.
- ⑫. The appliance is not to be used by persons (including children) with reduced physical, sensory or mental capabilities, or lack of experience and knowledge unless they have been given supervision or instruction.

- ⑬ Children being supervised not to play with the appliance.
- ⑭ Only to be used with the unit provided.
- ⑮ **WARNING:** The plug must be removed from the socket or outlet before cleaning or performing maintenance on the unit at all times.
- ⑯ Make sure that the appliance can be worked freely in the room (shall not be blocked or overturned etc...) and make sure that there is nothing that the appliance can overturn and create a hazard (clear all Candle, Vase with or without water and fragile objects etc...that placed on the floor or furniture).

WARNING:

Note: This equipment has been tested and found to comply with the limits for a Class B digital device, pursuant to Part 15 of FCC Rules.

These limits are designed to provide reasonable protection against harmful interference in a residential installation. This equipment generates, uses and can radiate radio frequency energy and, if not installed and used in accordance with the instruction, may cause harmful interference to radio communications. However, there is no guarantee that interference will not occur in a particular installation.

If this equipment does cause harmful interference to radio or television reception, which can be determined by turning the equipment off and on, the user is encouraged to try to correct the interference by one or more of the following measures:

- Reorient or relocate the receiving antenna.
- Increase the separation between the equipment and receiver.
- Connect the equipment into an outlet on a circuit different from that to which the receiver is connected.
- Consult the dealer or an experienced radio/TV technician for help.

Changes or modifications not expressly approved by the party responsible for compliance could void the user's authority to operate the equipment.

This device complies with part 15 of the FCC Rules. Operation is subject to the following two conditions:

- ① This device may not cause harmful interference.
- ② This device must accept any interference received, including interference that may cause undesired operation.

RF Exposure Warning: This Wireless LAN (local area network) device has been evaluated under FCC Bulletin OET 65 and found compliant to the requirements as set forth in CFR 47 Sections 2.1091, 2.1093, and 15.247 (b) (4) addressing RF exposure from radio frequency devices. The radiated output power of this Wireless LAN device is far below the FCC radio frequency exposure limits. Nevertheless, this device should be used in such a manner that the potential for human contact (closer than 8") during normal operation is minimized. When nearby persons have to be kept to ensure RF exposure compliance, in order to comply with RF exposure limits established in the ANSI C95.1 standards, the distance between the antennas and the user should be greater than 20 cm (approx. 8"). This equipment complies with FCC RF radiation exposure limits set forth for an uncontrolled environment. This device and its antenna(s) must not be co-located or used in conjunction with any other antenna or transmitter.

BATTERY AND RECHARGING INSTRUCTIONS:

- ①. Please apply the same model's battery (D.C. Lithium-ion INR18650 4S1P 14.6V 2500mAh) and adaptor (20V 1200mA) as equipped with the packing.
- ②. The external flexible cable or cord of this adaptor cannot be replaced; if the cord is damaged, the adaptor shall be scrapped.
- ③. When placing the batteries into the reservoir, please be sure that the polarity of the batteries matches with the indication marked inside the battery reservoir. Otherwise, the power cannot be switched on.
- ④. Forbid any un-rechargeable or different type/model battery. Applying un-rechargeable battery will cause the machine malfunctions.
- ⑤. The battery is rechargeable. Please use the voltage and current specified on the packing. If you are not sure of the voltage and current of your house, please contact your local power company or a licensed electrician.
- ⑥. Use only the battery supplied with your M680GMA2.
- ⑦. Charging adaptor is for indoors only.
- ⑧. **WARNING:** For the purposes of recharging the battery, only use the detachable supply unit provided with this appliance.
- ⑨. Do not recharge the battery if the cable or plug of the battery is damaged.

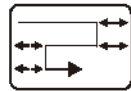
- ⑩. Never touch the charger, plug or cable with damp hands.
- ⑪. If M680GMA2 requires cleaning, unplug the adaptor, switch off the unit and take out the battery.
- ⑫. The battery must be removed from the appliance before it is scrapped.
- ⑬. The appliance must be disconnected from the supply mains when removing the battery.
- ⑭. To extend the battery life, we suggest to keep the product being always charged when not in use.
Recharge M680GMA2 as soon as possible following use; waiting several days can damage the battery.
- ⑮. If you plan not to use M680GMA2 over 6 months, please fully charge the battery, then turn off the power and remove the battery from the vacuum cleaner and store it separately. And to recharge the battery (in the vacuum cleaner) till Green light on every 3 months to activate the battery capacity.
- ⑯. The battery is to be disposed of safely.
Attention should be drawn to the environmental aspects of battery disposal. Don't throw used batteries in dustbin. Please contact your retailer in order to protect the environment.
- ⑰. Leakage from battery pack can occur under extreme usage or temperature conditions.
If the liquid gets on skin, wash quickly with water.
If the liquid gets into the eyes, flush them immediately with clean water for a minimum of 10 minutes. Seek medical attention.
Contact a specialist dealer or Customer Services to replace the battery pack. Never replace the battery pack yourself.

SPECIAL FEATURES

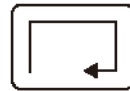
Congratulations on purchases the M680GMA2 Robotic Vacuum Cleaner With Docking Station. This revolution Robotic Vacuum Cleaner With Docking Station is equipped with functions suitable for cleaning up floor surfaces of home and office such as wood, tile, and linoleum.

M680GMA2 Robotic Vacuum Cleaner With Docking Station is a household helper.

Working Patterns:



"Z" Type

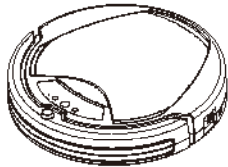


Along the wall

With Gyro and main wheel encoder sensors, M680GMA2 could build the simple map so it could clean your rooms and back to the dock station successfully when its power is low.

With Mobile APP, the real-time mapping could be shown on the APP. Also, the remote control could be made from APP too.

MAJOR COMPONENTS AND ATTACHMENTS



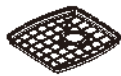
M680GMA2 Cleaner x1



Rechargeable Battery x1



Adaptor x1



Dust Bin Filter x1
(1 pc Installed in the dustbin)



Side Brush x2 pairs



Operation Manual x1



Docking Station x1

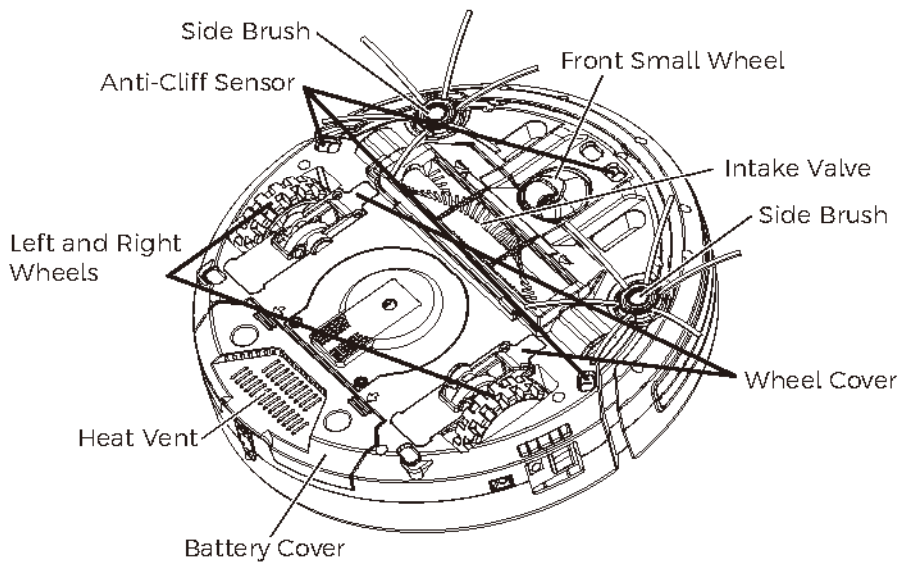
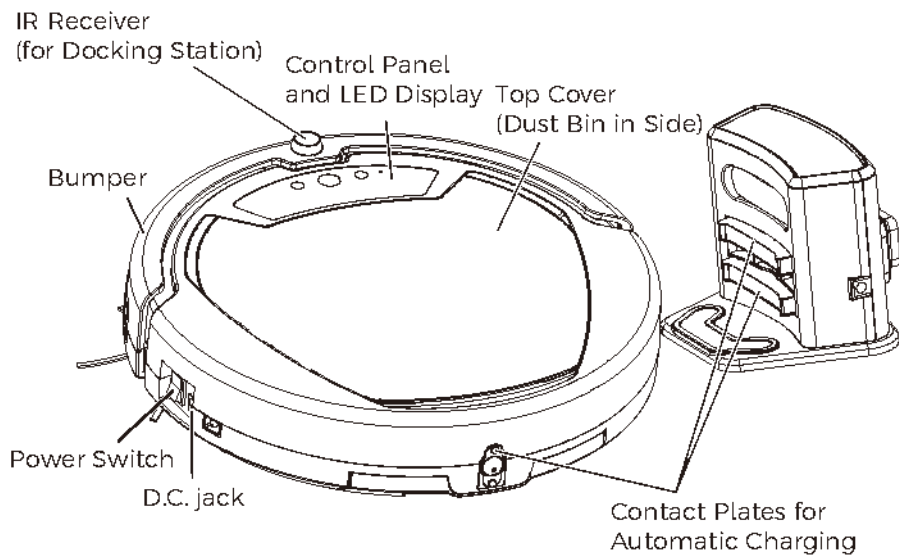


Brush Roll x1



Room Containment x1

M680GMA2 Overview

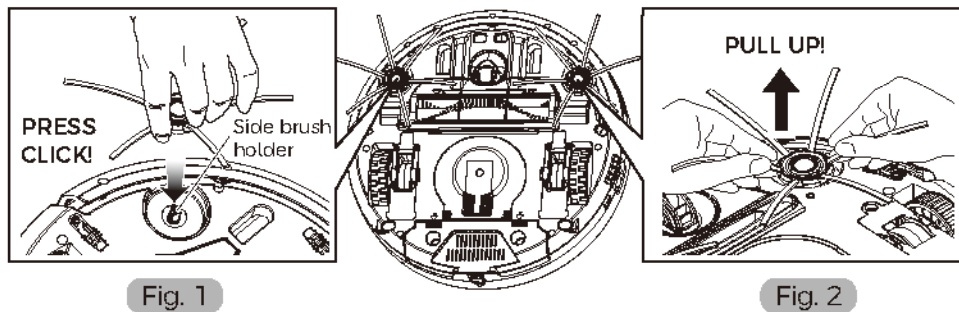


INSTALLATION GUIDE

Installing and Removing Side Brush:

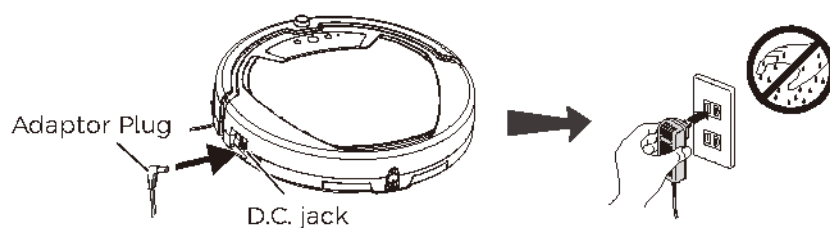
To install: Push the brush directly onto the holder.(Fig. 1)

To remove: Hold two opposite sides of the brush as shown in Fig. 2, and evenly pull upward to remove the brush.



Recharging Battery:

- ①. Before charging, please check if the battery is properly mounted **and turn on the power switch.**
- ②. Two ways to charge the battery:
 - A. Push the adaptor plug into d.c. jack at the side of the unit first, and then plug the a.c. end of the adaptor into the a.c. power outlet on the wall. (Please connect the adaptor to the unit first before connecting to the a.c. power outlet.)

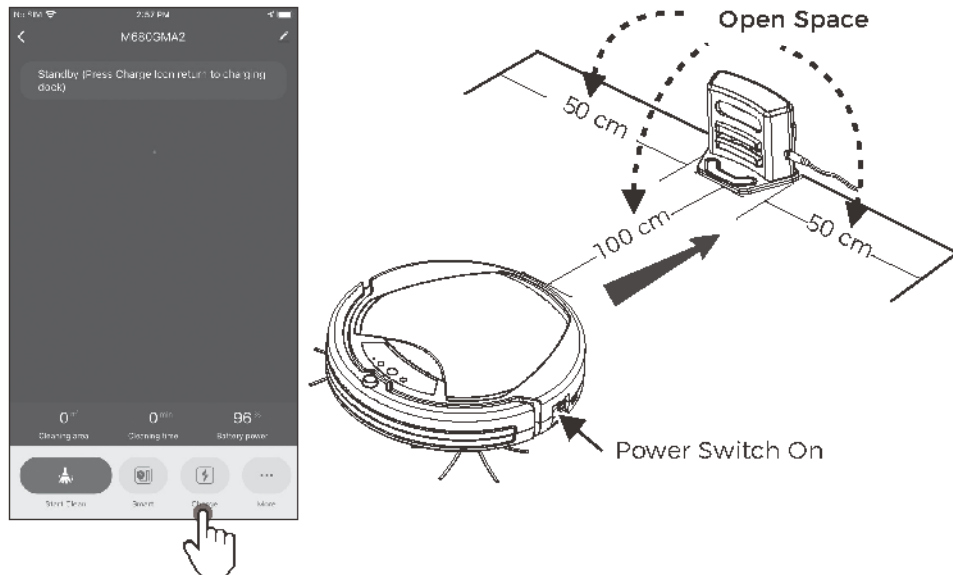


- B. Make sure the docking station is installed properly, place the unit to the docking station, make sure the contact points at the back of the unit is contacted with the contact plate at the docking station. (See page 9 proof test)
- ③. When charging, the LED indicator below the “⏻” (Power) on M680GMA2 (as above diagram) will flash green, and it will stay green when the cleaner has been uninterruptedly charged for 4~6 hours.
- ④. To make sure the battery always at full charged status, the unit will be charged 15 min every hour after full.
- ⑤. When the M680GMA2 is in the "Battery Low" situation, “⏻” (Power) will stay in the RED.

Proof Test:

Please try to test the installation of docking station, if the vacuum cannot go back to the docking station and charge successfully, then please replace the docking station to the proper height.

Test by the unit, turn on the power switch of the unit, Use (🏠) on APP or press robotic control panel 🏠 icon to control the robot go back to the docking station for recharging. Please refer to below picture.

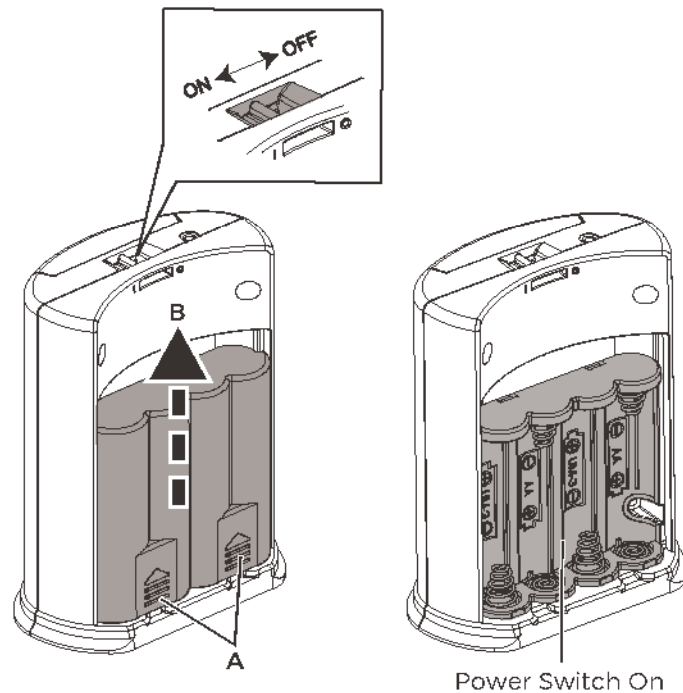


Preparation of Room Containment:

- ①. Turn the power switch off.
- ②. Press two points mark A and slide the cover in the direction of arrow B as shown in the diagram below.
- ③. Insert four size AA batteries and match "+" and "-" to the battery compartment, then close the cover of the containment.

Note:

- The types of batteries use only with (AA/UM-3) supply unit.
- How to remove and insert the batteries. Please refer to below picture.
- Non-rechargeable batteries are not to be recharged.
- Different types of batteries or new and used batteries are not to be mixed.
- Batteries are to be inserted with the correct polarity.
- Exhausted batteries are to be removed from the appliance and safely disposed of if the appliance is to be stored unused for a long period, the batteries are removed.
- The supply terminals are not to be short-circuited.



GENERAL OPERATION

Preparation for Operation:

1. Install the side brushes and install the battery according to the manual.
2. Turn on the power switch on the side of the unit, and charge the battery for 4~6 hours prior to the first operation.
3. To ensure the best efficiency of the unit, first is to remove clothes, paper, cable, extension cable scattered on the floor, roll up the curtains and drapes if any to avert the possible accident. In case of the cable entangled with the cleaner, the cable could move around as the cleaner is working and might topple down the table, chairs, even cabinet or cupboard.

※ **When start the unit.**

Check:

- **Dust bin is full.**
- **Intake Valve is stuck with dirt.**
- **Wipe out the inner and outside of Intake Valve area.**

Room containment of M680GMA2 may contain the cleaning area by putting it in a proper place.

For example:

To contain the Robot Cleaner cleaning area A (shaded area) and not crossing to area B by putting the Room containment in the position as shown in Fig. 3. And to contain area B (shaded area) by putting the Room Containment in the position as shown in Fig. 4.

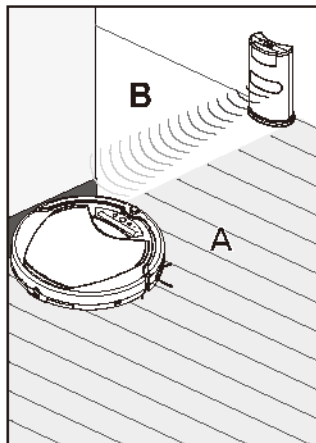


Fig. 3

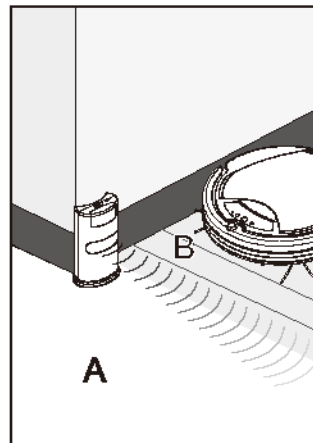
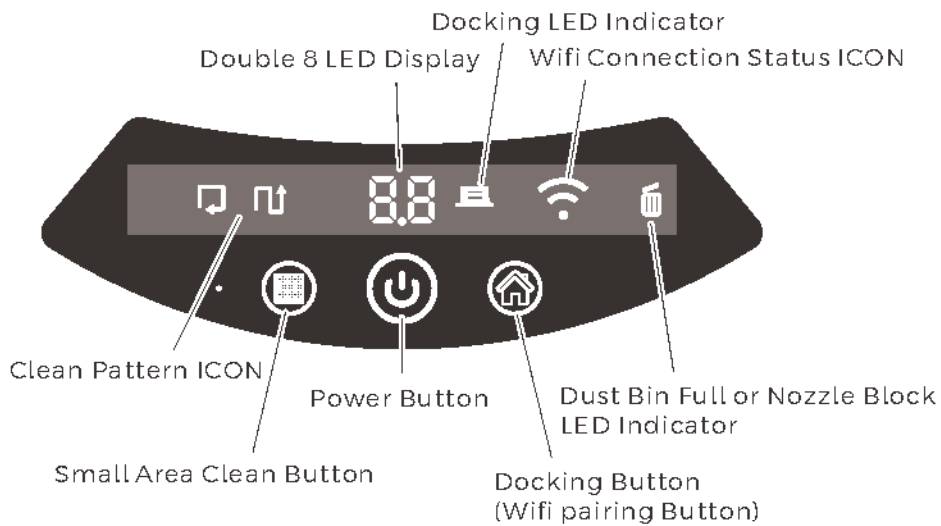


Fig. 4

1. Operation without connecting to the docking station:
Place the cleaner on the floor and turn on the power switch then press the operation button to operate, press again to stop.
2. When battery low, the unit is programmed to find the docking station automatically for recharge. If the unit is failed to return to the docking station, user can put it back connecting to the docking station manually.
3. Press the "▶" key from APP or press robotic control panel power button to start clean.

Control Panel:



Download APP and scheduling setting :

How to Download APP:

1. To download " M680GMA2 " APP from Playstore or APP store.
2. Scan the QR code and download APP.



Android

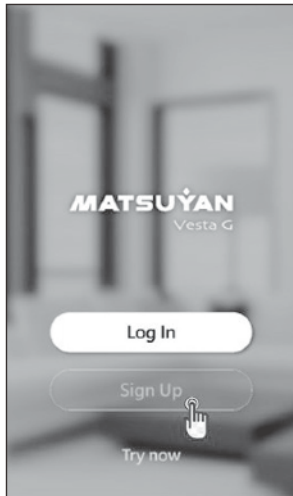


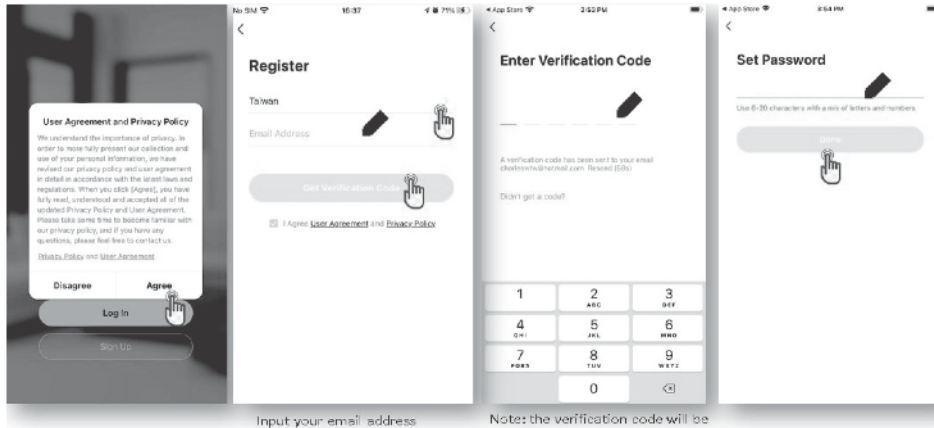
iOS

等APP ready 再更新QR code

EASY AS 1,2,3 to control the robot by using APP:

1. Open the APP and press sign up . Agree the privacy policy for setting up the APP. Then follow up the guidance to register your app account as below.



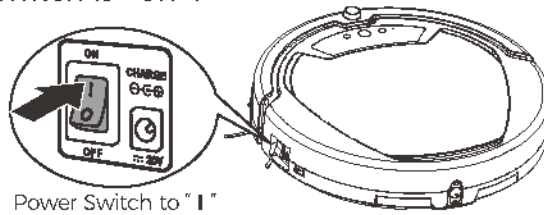


Input your email address
System will send verification
code to your email .

Note: the verification code will be
sent to your email account, if you
can't find it , please also check your
Spam mail folder too.

* Check your spam email if you didn't receive the verification code.

2. Make robot & mobile phone be ready before adding a robot.
 - (1). Before adding & setup robot , please Make sure your robot
power switch is " I " .



Power Switch to " I "

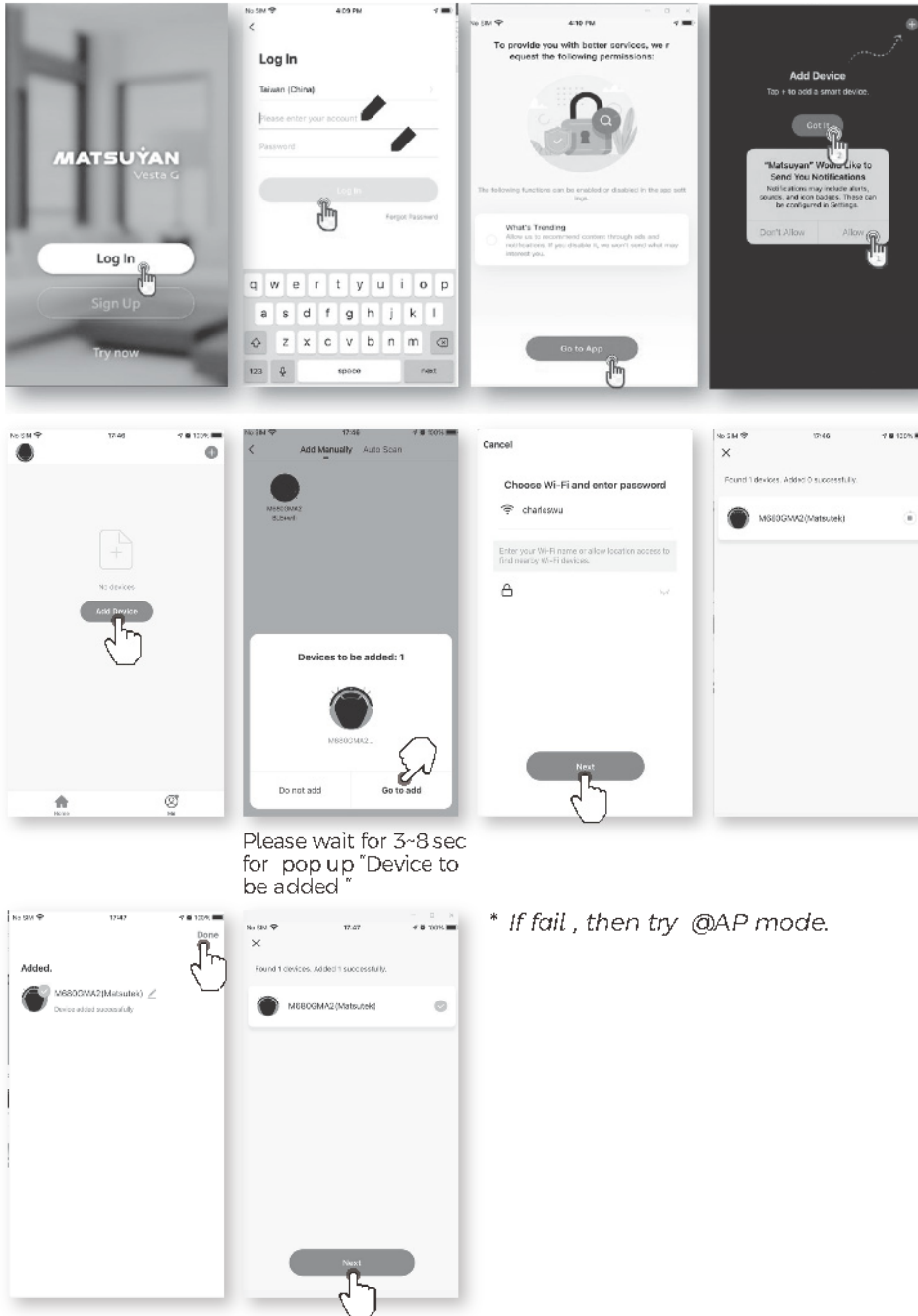
- (2). To begin pairing to the APP, hold the home key for 3 secs ,
You will hear BEEP sound.

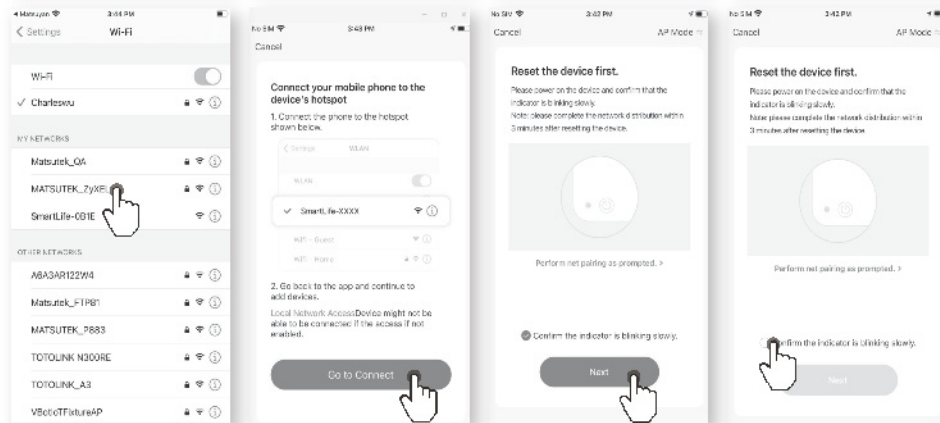
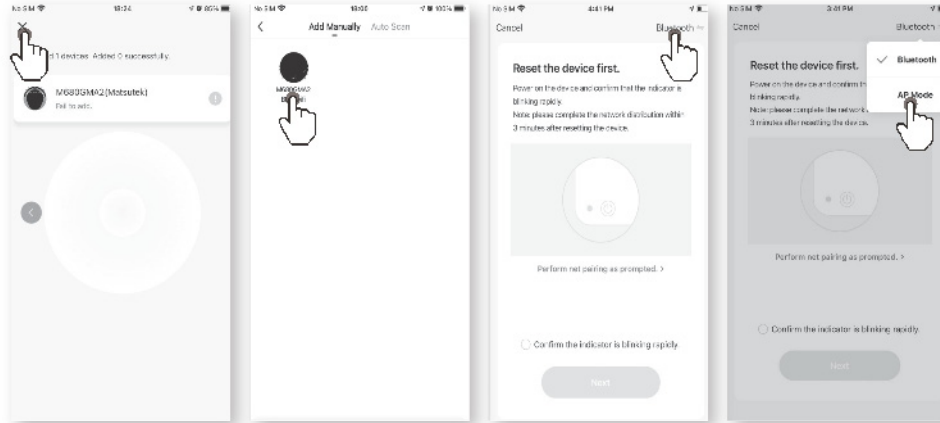


Press Home Key 3 Secs

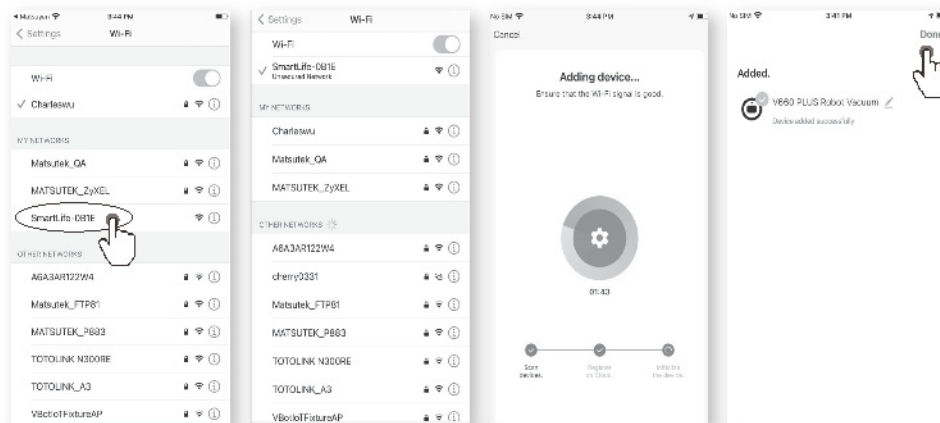
- (3). Please turn on GPS (only Android needed) and Bluetooth
(IOS & Android) on mobile phone firstly.

3. Login to the APP with your email address and APP password. Then "add devices".





IOS only



IOS only

IOS only

Back to APP






Basic Operation:

Manual work

※When  LED Indicator lights on.

Check:

- Dust bin is full.
- Intake Valve is stuck with dirt.
- Wipe out the inner and outside of Intake Valve area.

1. Turn ON the power switch, wait for  power LED light on (green).
2. Press  power key.
3. After work is completed, the unit will emit a buzz of warning. The unit stop or back to dock station for charging depends on the settings.
4. During the working time :
 - (1) The unit will stop if the power key pressed at the control panel or the stop key is pressed on the APP.
 - (2) If low power, the unit will Beep one time and Power LED will RED on. The unit will back to dock station for charging.
5. When the unit is at dock station or plug into adaptor:
 - (1) Charging : the  power/time LED will show green flashing.
Full charged : the  power/time LED will show green on.
 - (2) At dock station :
 - Press () power key or use the Start key on the mobile APP to let the unit start to work.
 - The unit will try to re-find the dock station again if it kicked away from the dock station by careless. But the unit will stop if the dock station can't be found in the near area.

Stop operation

1. To stop the operation of the unit immediately, you can turn off the power switch on the right of the unit, or press unit control panel power button, or lift the unit off the floor, the unit will stop 1 second later.
2. If you want the unit to continue working, place the unit on the floor and reset the power switch of the cleaner.

Safety Devices

The unit will stop after 1 second lifted up from the floor.

The unit will stop when wheel jammed for more than 6-10 seconds.

Sleep mode

The unit stop and no key pressed in 3 minutes, unit into sleep mode. Any key pressed will wake up the unit.

Table A: Error code on LED Display(Power LED flash Red)

Display on screen	Possible cause	Solution
E1	The wheels stuck.	Remove M680GMA2 from obstacles, and Re-start the power switch.
E2	The top cover or dust bin is not installed properly.	Install the top cover and dust bin properly. The unit will detect the error and fix automatically .
E3	The bumper stuck.	Remove M680GMA2 from obstacles The unit will detect the error and fix automatically .
E4	The unit lifted up from the floor.	Put M680GMA2 back on the floor.
E5	The unit stuck on the cliff or stair.	Remove the cleaner from dark floor surface.
E6	The battery is not installed properly. Charging error. (Power switch is off)	To install the battery properly, please refer to page 25 for battery installation, and Re-start the power switch.
E7	The main brush stuck.	Remove M680GMA2 from obstacles, or reinstall main brush and Re-start the power switch.

Table B: Buzz

Buzz	Represent
Beep 1 time	Normal
Beep 2 times	Invalid
Beep 3 times	Error

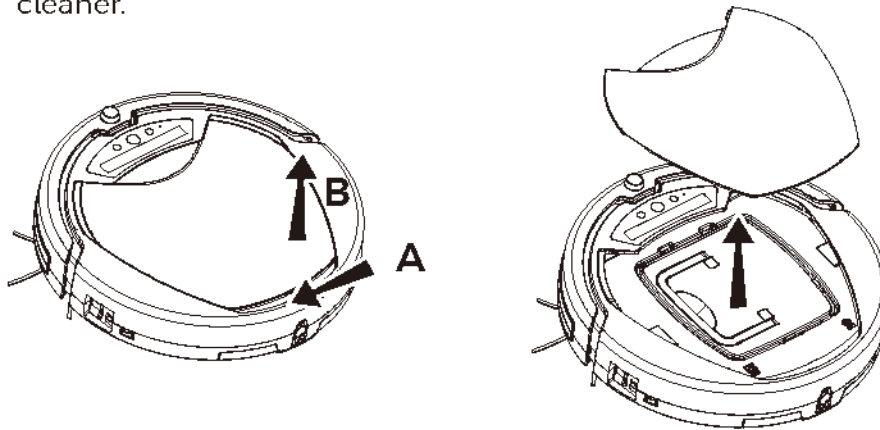
CLEANING AND MAINTENANCE

Maintenance Method:

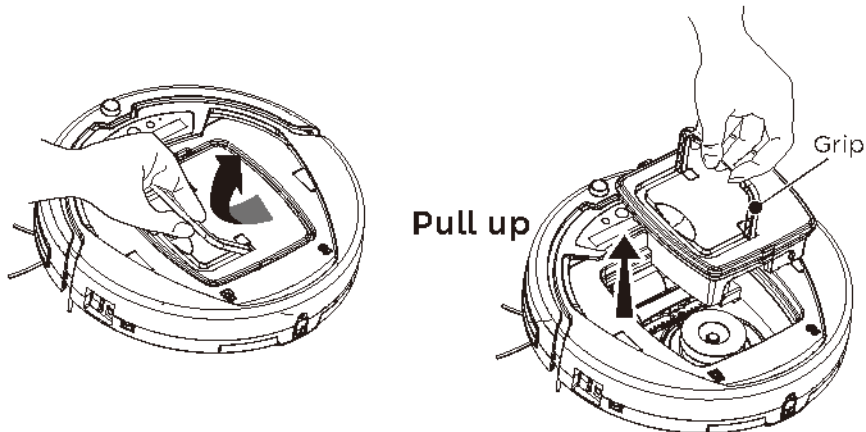
The operation and maintenance of the M680GMA2 is very simple. After each use, clean any dirt left behind on the dust bin and filter. It is not necessary to clean the intake after every use.

Cleaning Dust Bin:

1. Lift the cover from "A" position to open the top cover of the cleaner.



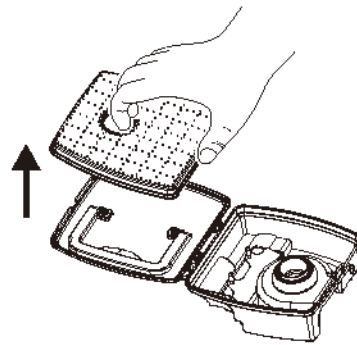
2. Pull up the grip and take out the dust bin from the cleaner.



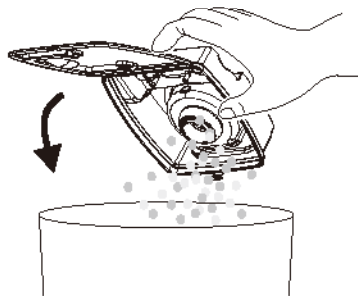
3. Open the upper cover of the dust bin.



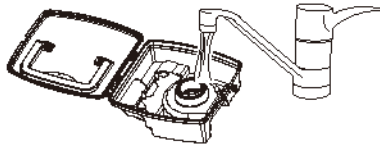
4. Lift up and take out the filter.



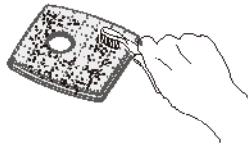
5. Throw away the dust and dirt from the dust bin.



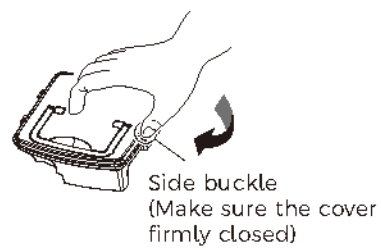
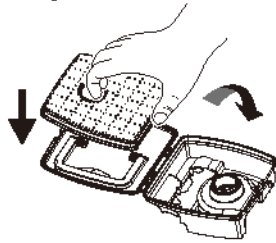
6. Rinse the dust bin with tap water and drain completely. It is not necessary to wash every time. Please do not put it into the washing machine to do the cleaning.



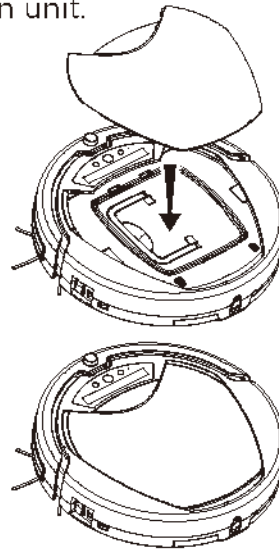
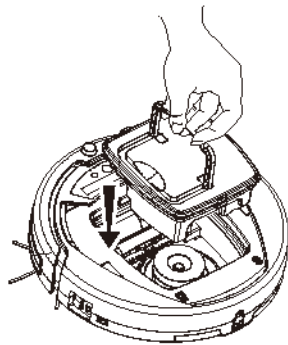
7. Periodically clean the filter with a soft bristle brush.



8. Once dry, reinstall the filter and close the dust bin lid.



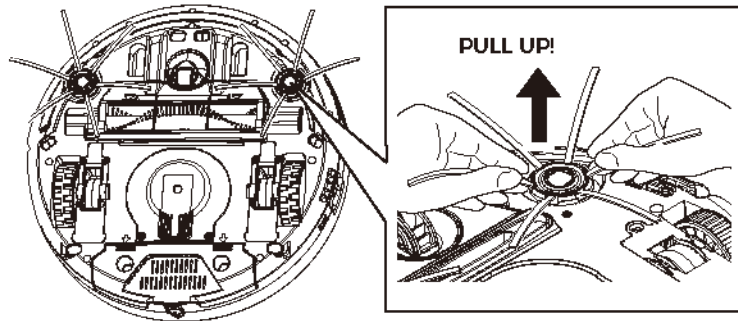
9. Place dust bin and top cover back in unit.



ATTENTION! Before starting the unit, please be sure the dust bin filter is installed correctly!

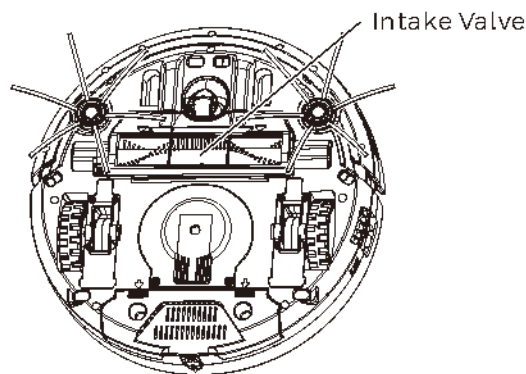
Cleaning Side Brushes:

1. After being used for a period of time, the brushes need to be replaced for working more effectively.
2. Turn off the power, place bottom of the cleaner upward on a flat surface. Hold two opposite sides of the brush (see diagram below), and evenly pull upward to remove the brush.
3. The side brushes can be rinsed and if they become crooked, you can soak them in hot water to make them recover to the original shape. Install the brushes back after cleaning.



Cleaning Intake:

After repeated use, dirt and dust can accumulate around the intake of the M680GMA2 and the working efficiency can be reduced. To ensure the best efficiency and constant airflow, the intake should be cleaned periodically.

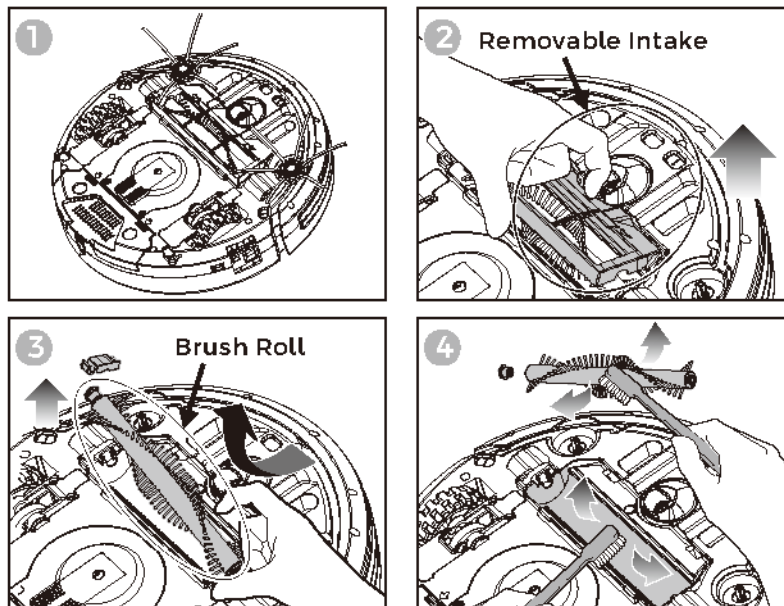


Cleaning Brush Roll:

After repeated use, dirt and dust can accumulate around the intake and Brush Roll of the M680GMA2 and the working efficiency can be reduced. To ensure the best efficiency and constant airflow, the intake should be cleaned periodically.

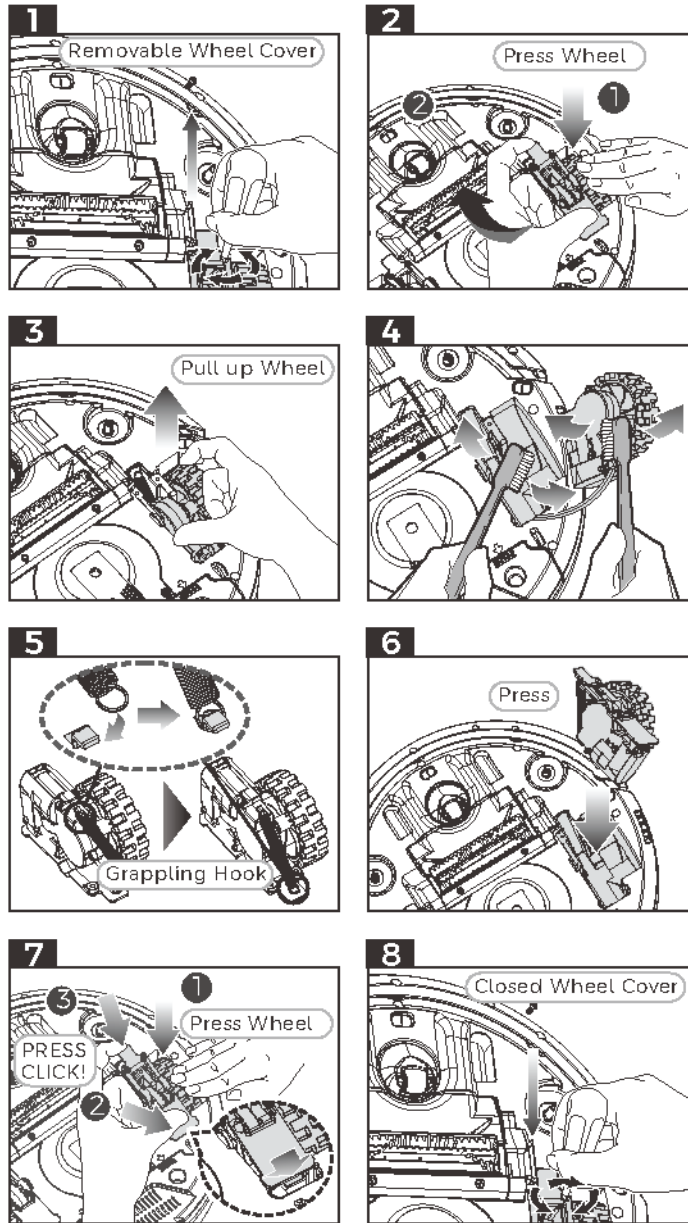
1. After being used for a period of time, the Brush Roll need to be replaced for working more effectively.
2. Turn off the power, place bottom of the cleaner upward on a flat surface. Hold removable intake and pull upward, then pull upward the Brush Roll clean with a soft bristle brush(see diagram below). Rinse it with tap water. It is not necessary to wash every time.

Please do not put it into the washing machine to do the cleaning.



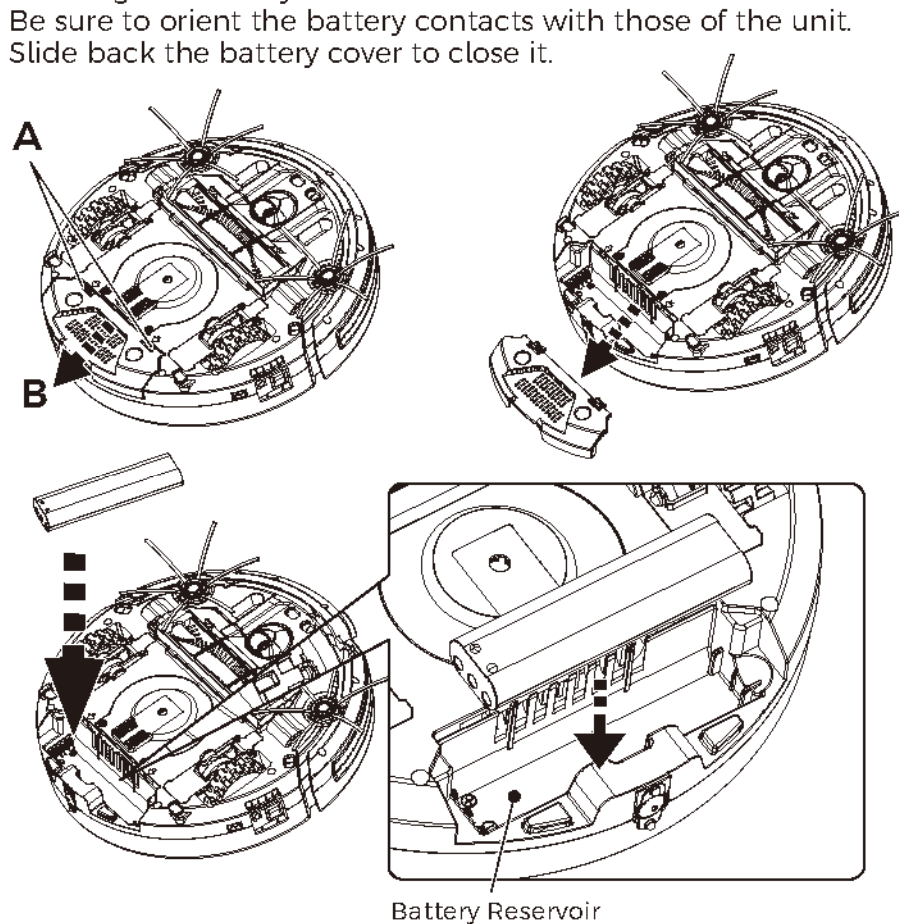
Maintenance of Main Wheels:

Turn off the power, place bottom of the cleaner upward on a flat surface. Follow below Instruction if Cable is twined or strangled or Clean needed.



Battery Installation and Removal:

1. Turn off the power switch before installing the battery.
2. **The details on how to remove the battery:** To open the battery cover first by pressing the two points "A" (marked in the below diagram) and slide the battery cover in the direction of arrow "B" (marked in the below diagram). Then push the battery toward the springs' side in order to take out the battery easily.
3. **The method of replacing battery:** To install the new battery in the battery compartment with correct polarity + and - sign which marked on the battery compartment. Put to battery connecting dots side down close to the springs mounted on the battery compartment, then push toward springs for easier inserting the battery.



TROUBLE SHOOTING

Problem	Possible Cause	Solution
Turn on the power switch with no LED display shown.	<ol style="list-style-type: none"> 1. Battery is not installed correctly. 2. Very low battery. 	<ol style="list-style-type: none"> 1. Install the battery according to the manual. 2. Charge the battery according to the manual.
Vacuum on but can not collect dirt or hair.	<ol style="list-style-type: none"> 1. The dustbin is full. 2. The filter is not installed correctly. 	<ol style="list-style-type: none"> 1. Clean the dustbin. 2. Re-install the filter correctly.
The side brush becomes crooked, not good to sweep.	Being used for a long time.	If it becomes crooked, you could soak it in hot water to have it recover to its original shape.
Unit circles around only.	One of the wires of the wheels is loosened.	Open the wheel cover and connect the loosened wire of the wheel set properly or contact your local dealer for service.
Cannot start the unit.	<ol style="list-style-type: none"> 1. The battery is not installed properly. 2. Battery power is low. 3. The dust bin is not installed properly. 	<ol style="list-style-type: none"> 1. To install the battery properly, please refer to page 25 for battery installation. 2. Have the battery fully charged. 3. Place back the dust bin and turn it on again.
Unit could not vacuum effectively when it is turned on.	The dust bin filter is not properly installed.	Install the dust bin filter properly.
The LED display shows error.	E1, E2, E3, E4, E5, E6, E7 and Beep 3 times.	Please refer to table A on page 18 for solving the problems.

SPECIFICATIONS

M680GMA2	
Rating Voltage	14.6VDC
Power	33W
Battery Type	Li-ion rechargeable battery
Battery Capacity	2500mAh
Charging Time	4~6 hours
Working Time (normal mode)	85 ± 10 mins
Operating Temperature	0°C~40°C
Operating Humidity	≤80% RH
Noise	≤65dB
Weight and Dimensions	3.5kg Ø: 330*88mm

Accessories	
Adaptor	20VDC/1.2A
Docking Station	20VDC/1.2A

Wireless Advisories

This device can be used in all EU Member States. The frequency bands and the maximum radio frequency emission power in which this device operates are as follows:

Model	WiFi Frequency Range	Antenna Gain	Antenna Configuration	Transmission power
M680GMA2	2.412-2.472GH	4.6 dBiz	Single - Transmitting	≤20dBm

Matsuyan declares that this robotic vacuum cleaner is in compliance with the essential requirements and other relevant provisions of RE Directive 2014/53/EU. The declaration of conformity may be consulted in this link:

<http://www.matsuyan.com>

Disposal and Recycling



Do not dispose of the appliance or its battery pack in regular trash bins

Take the appliance with the battery pack removed to the appropriate recycling points for separate disposal.



: Only for household use



: Satisfies the applicable European directives



: Protection class I (Protective insulation) I



: Do not dispose of in household waste



MATSUYAN
Life made simple

