



Yadea
WX-D-202012105
2021-03-01 18:01:21

Yadea H3/H3PRO/KS5/KS5PRO
User Manual of Electric Scooter

Yadea
WX-D-202012105
2021-03-01 18:01:21

INSTRUCTIONS

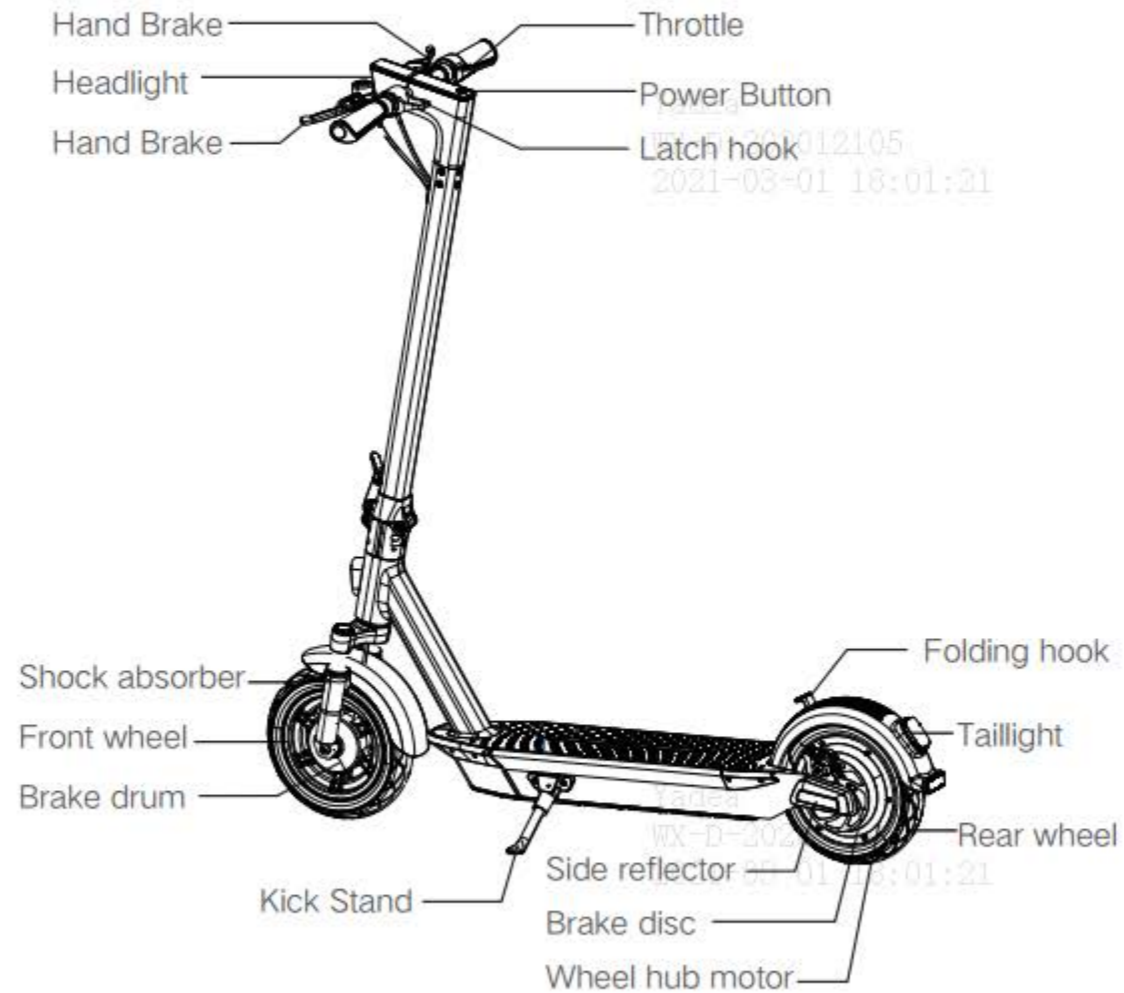


WX-D-202012105
2021-03-01 18:01:21

Manufacturer : Yadea technology group co.,LTd
Address:Dongsheng Road, Dacheng Industrial Zone,
Anzhen Xishan District, Wuxi City, Jiangsu Province, China
Postal Code:214100
Email:afterservice03@yadea.com.cn

Tips: Before use, you must carefully read all the instructions for the use of the electric scooter, and keep this manual properly after reading. Do not use the electric scooter without understanding its characteristics.

PREMIUM E-MOBILITY



Accessories



Bolts X 6

Yadea
WX-D-202012105
2021-03-01 18:02:21



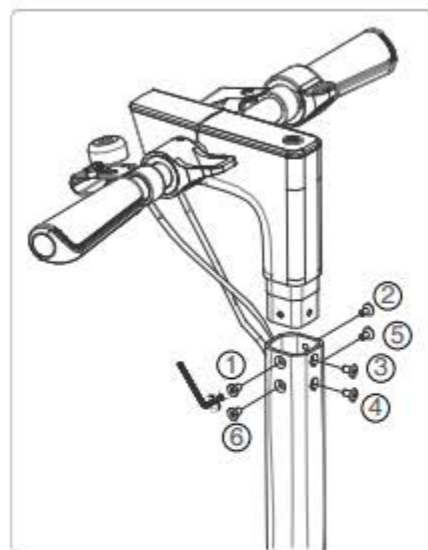
Hex Wrench X1



Charger X 1

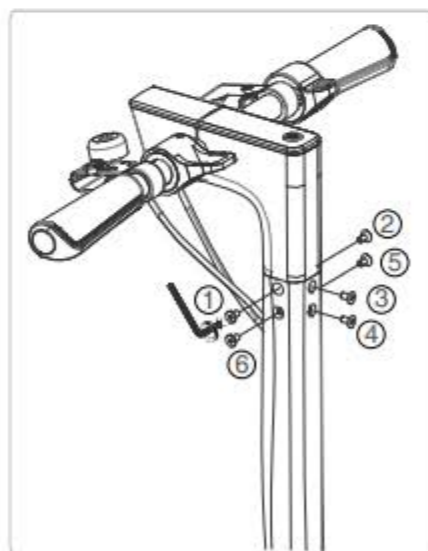
Yadea
WX-D-202012105
2021-03-01 18:02:21

Installing the Handlebar



Place the handlebar set into the folding head tube and keep the brake in front.

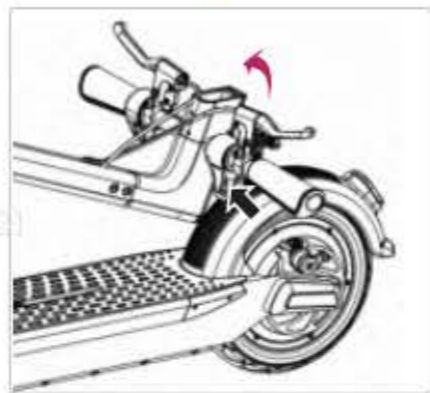
Yadea
WX-D-202012105
2021-03-01 18:02:21



Fix the handlebar set in the correct position, and then tighten the 6 M5×14mm bolts into the corresponding holes with a 4mm hex wrench.

Note: Please control the torque below 50Kgf · cm

Yadea
WX-D-202012105
2021-03-01 18:02:21

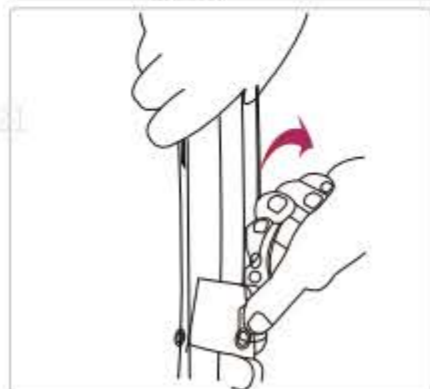


Unfolding your Scooter
 Push the hook and lift up the handlebar from the rear fender.

Yadea
 WX-D-202012105
 2021-03-01 18:02:21

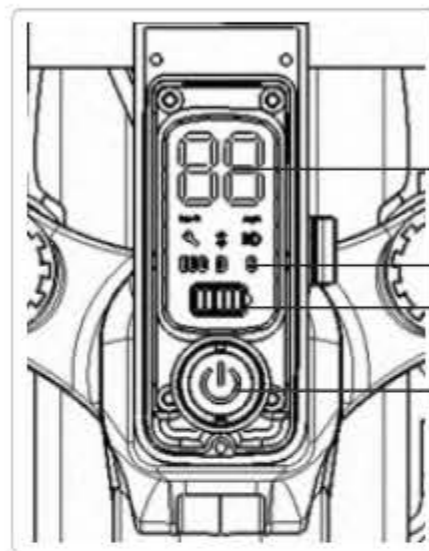


2. Hold the handlebar in the right hand and pull the front tube to the maximum position, then press the folding handle until the folding lock is stuck on the round head nut on the front tube.



Folding your scooter
 Hold the front tube in the right hand, push down the safety button with the left thumb, open the folding handle, then fold the front tube and attach the latch hook on the handlebar to the hook of the rear fender.

Yadea
 WX-D-202012105
 2021-03-01 18:02:21

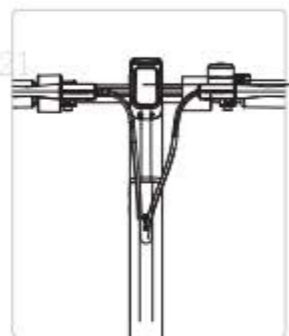


- 1. Speedometer Display
- 2. Power Mode
- 3. Battery Level
- 4. Power Button

- 1. **Speedometer:**
Indicates the current speed.
- 2. **Power Mode:**
When powered on, single click the power button to switch among ECO, D and S modes.
- 3. **Battery Level:**
Indicates the remaining battery level.
- 4. **Power Button:**
Long press the power button for more than 3 seconds to power on, the speedometer will be "00", turn off the scooter by pressing the power button for more than 3 seconds.

Yadea
 WX-D-202012105
 2021-03-01 18:02:21

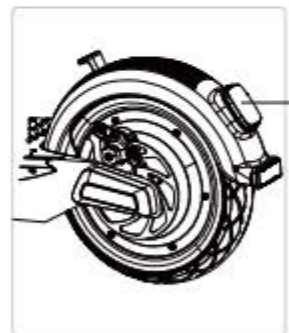
	Mode	UL	CE	CN
H3/ KS5	S	30km/h	25km/h	30km/h
	D	21km/h	18km/h	21km/h
	ECO	6km/h	6km/h	6km/h
H3PRO/ KS5 PRO	S	35km/h	25km/h	35km/h
	D	25km/h	18km/h	25km/h
	ECO	6km/h	6km/h	6km/h



Headlight:

Headlight:

1. Turn on the headlight
When powered on, double click the power button to turn on the headlight.
2. Double click the power button again to turn off the headlight.



Taillight:

Taillight:

When powered on, the taillight is on;
when powered off, the taillight is off.

You must read the manual carefully before using this electric scooter.

1. When riding the electric scooter, make sure you wear a helmet, shoes, protective glasses, knee pads, elbow pads and other protective gear.
2. The maximum rider weight is 110kg and the maximum rider height is 200cm.
3. Do not ride in the rain. Lower your speed when bypassing puddles.
4. Do not drive over speed bumps or on uneven ground, public roads or highways.
5. Slow down at turns.
6. Don't press the throttle when walking the scooter.
7. Recommended for use for riders over 16 years old.
8. The scooter is for one rider only. Do not ride double or carry any passengers.
9. Store your scooter in a cool, dry place. Do not store it outdoors for extended periods of time. Exposure to sunlight and temperature extremes (both hot and cold) will accelerate the aging process of the plastic components and may reduce battery life.
10. Follow local laws and regulations when riding the scooter.
11. Do not ride under the influence of drugs or alcohol.
12. Do not ride at an altitude of more than 2000m above sea level.
13. Stop using the scooter immediately when damages identified and contact the authorized dealer.

Check Before Riding

Before riding, make sure you have checked the following:

1. You have clearly understood the safety precautions of the electric scooter.
2. The handbrake has been adjusted so that when the handbrake is held, the tires no longer move.
3. Check the circuit and front and rear lights.
4. The tires are in good condition with effective tread.
5. The front and rear fenders are properly positioned and securely attached to the frame.
6. The riding area is easy to operate safely. Observe the safety warnings and drive within the designated area.
7. Maintenance or repair must be carried out in accordance with the service manual and only the parts provided by the authorized suppliers can be used for replacement.

Yadea
WX-D-202012105
2021-03-01 18:03:21

Yadea
WX-D-202012105
2021-03-01 18:03:21

Download and Install the App

Download and Install the App

1. For Apple users, please download the Scooter App from the App Store. For Android users, please download the Scooter App from the Google Play.
2. Search "YadeaScooter" via App Store or Google Play and click "Kick scooter" to install.
3. Register the scooter according to App instructions.
4. After registration, click Bluetooth Unconnected on the home page to enter the connection page and scan the QR code on the manual for connection.
5. When the connection is successful, you can use the scooter. To add a user, click "Scan QR code".
6. Have a nice ride.

Yadea
WX-D-202012105
2021-03-01 18:03:21

Yadea
WX-D-202012105
2021-03-01 18:03:21



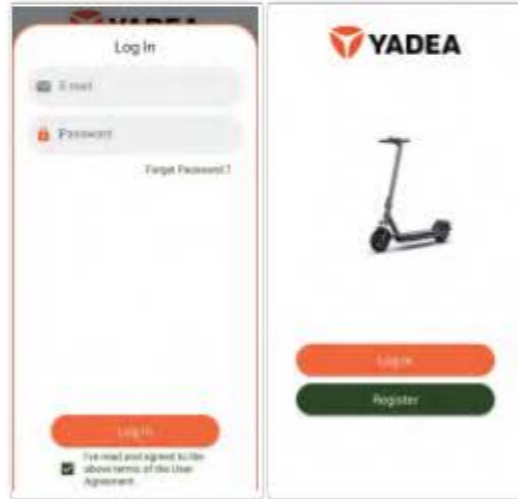
Click the icon to open the App

Yadea
WX-D-202012105
2021-03-01 18:03:21



Bluetooth not connected.

Yadea
WX-D-202012105
2021-03-01 18:03:21



Click login.

Yadea
WX-D-202012105
2021-03-01 18:03:21



Connect and pair vehicle
H3-U/H3-C i.e. H3/KS5, H3-PU/H3-PC i.e.
H3 PRO/KS5 PRO

Yadea
WX-D-202012105
2021-03-01 18:03:21



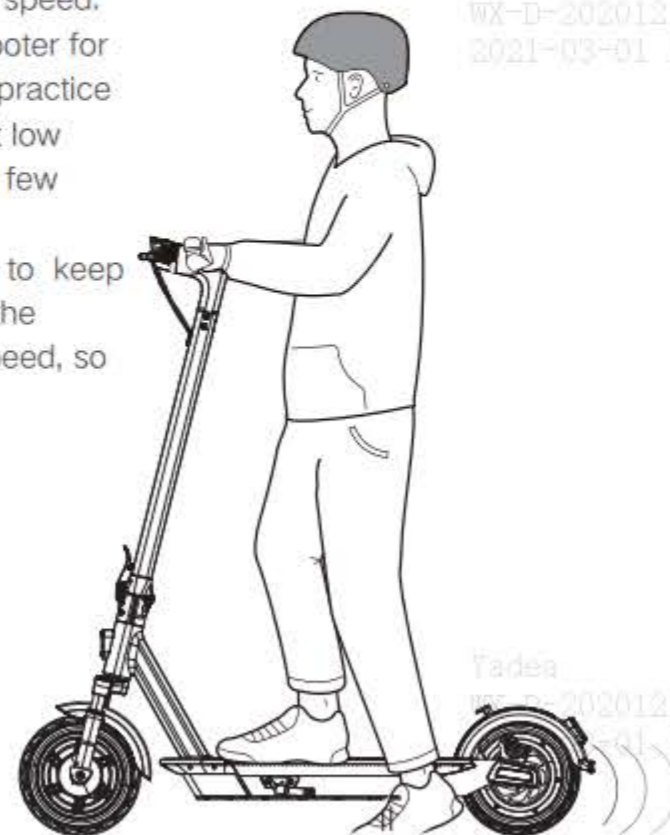
Bluetooth connected successfully.
When you want to disconnect the Bluetooth, you can click the Bluetooth button in the middle of the navigation bar at the top of the home page (that is, the button to enter the search interface), and the Bluetooth Disconnect reminder dialog box will pop up. After clicking "Disconnect" again, the Bluetooth will be disconnected, and the scooter can be identified and connected by other users (in the unpaired state).

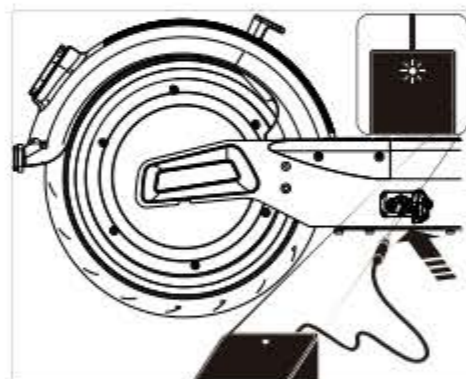
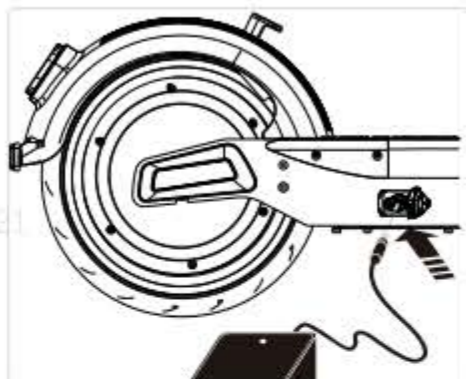
Modify vehicle name and unpairing.



Start each journey:

1. Power on the scooter
Stand on the foot deck with one foot and push off with another foot to get initial speed.
2. Control the handlebar, throttle and brake with hands to control speed.
When riding the electric scooter for the first time, make sure to practice riding the electric scooter at low speed in an open area with few people.
3. When driving, make sure to keep balance, and do not brake the electric scooter at a high speed, so as not to lose control.





Open the protection cover of the charging port, insert the charge plug and close the charge port cover when finished.

Charging temperature: (0°C - 40°C)

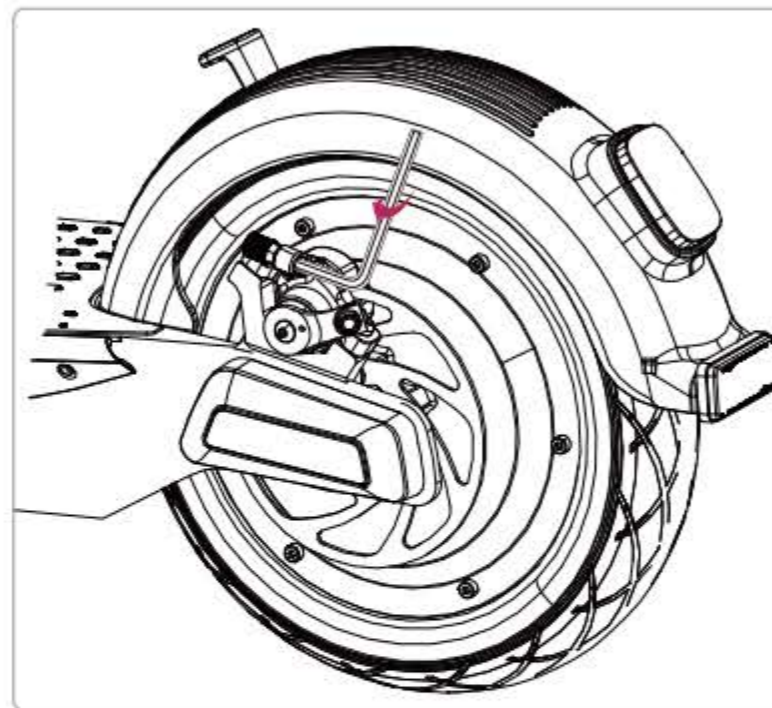
Operating temperature: (-10°C - 40°C)

Storage temperature: (-10°C - 40°C)

When the charger display lamp is red, the scooter is charged normally. When it is green, the scooter is fully charged.

Note:

1. The scooter shall be charged outside the residential area as far as possible without combustibles around and the charger shall be placed in a place where it is easy to dissipate heat
2. Charge no more than 10 hours according to the instructions;
3. Charge in a place with a safety device
4. Charging can only be done using the specified charger.



Loosen the brake cable adjusting nut with a hexagonal socket tool, adjust the required brake and then tighten the nut.

Specifications

Front Wheel Diameter	10-inch (254MM)
Rear Wheel Diameter	10-inch (254MM)
Motor	36V 350W /36V500W
Battery Capacity	36V 10.4Ah/36V 15.6Ah
Input Voltage	IN100-240VAC DC 42V 2A
Charging Time	5H/8H
Maximum Traveling Speed	25Km/h / 30Km/h / 35Km/h
Speed in ECO Mode	6Km/h
Maximum Speed	40Km/58Km
Brake System	Front and rear mechanical brake + rear wheel electronic brake
IP Rating	IPX4
Maximum Slope	12°/15°
Payload	110kg
Product Net Weight	18.6Kg/21.4Kg
Charger Manufacturer	Shenzhen Fuyuandian Power Supply Co., Ltd.

* Data such as the maximum speed, mileage and maximum slope shown above will be less than or exceed the indicated values in actual riding due to the factors of the rider's weight, road conditions and other factor.

Cleaning and Maintenance

1. Before cleaning the product, be sure to power off the scooter, unplug the charging cable and fasten the charging cover.
2. Wipe the main frame using soft and wet cloth. Dirt that is difficult to remove can be scrubbed with a toothbrush and then cleaned with wet cloth.
3. Do not clean your scooter with alcohol, gasoline, acetone or other corrosive solvents, which can damage the exterior and interior structure of the scooter.
4. Do not wash your scooter with a power washer.
5. Do not wash the scooter in water or other liquids.
6. When not in use, the product shall be stored in a clean, dry and ventilated place. Do not store the scooter outdoors for extended periods of time.
7. Before storing the product, make sure it is clean and dry.

* Contact us if you experience issues related to riding, maintenance and safety, or errors/faults with your scooter.

Remove the Battery

Removal of Battery

Instructions:

The battery must be disconnected from the power supply mains before removal.

Removal of the battery:

Fold the scooter and turn the product upside down. Use the screw driver to loosen the 16 bolts on the bottom plate. Remove the bottom plate and take out the battery pack.

Warning:

1. Do not attempt to disassemble the battery. There is a risk of fire.
2. Do not modify electrical systems as this can result in electric shock and risk of personal injury.
3. Do not wash the charger or battery in water. Unplug the charger and wipe with a dry cloth for cleaning.
4. Use only the charger specified by the manufacturer, otherwise there is a risk of damage or fire. Store in a dry place only. Do not store in a wet environment.
5. The battery must be removed from the scooter before the scooter is discarded. The battery shall be recycled and treated according to local laws and regulations.



Battery Maintenance and Recycling

1. Do not store or charge the battery outside the humidity limits (see Specifications). Do not puncture the battery. Recycle or dispose of the battery in accordance with local laws and regulations.
2. A well-maintained battery will remain in good condition even after many miles of driving. After each drive, please charge the battery to avoid completely draining the battery.

Warning:

- Do not drive when the ambient temperature exceeds the specifications. The power and torque output will be affected when the temperature is too high or too low, causing injury by sliding or falling.
3. Stop charging and contact the customer service immediately if the battery overheated, gives off a bad smell, shows signs of discoloration, deformation, or is found to be abnormal during use and charging.
 4. If the battery case breaks, expands or shows any other signs of improper use, do not charge the scooter, stop using it immediately, and contact the customer service immediately.
 5. Proper disposal and recovery information: Proper disposal and recovery of this product will help reduce environmental pollution and save energy. The batteries, accumulators and packaging materials of the electrical and electronic equipment shall not be disposed of with the domestic waste and shall be recycled in a place with facilities. Refer to your local laws and regulations regarding battery recycling and disposal.

Warning

1. Use of incorrect battery in the electric scooter may cause a risk of explosion.
2. Dispose of used batteries according to manufacturer's instructions and local regulations.
3. Do not dispose of the battery into fire or a hot oven or mechanically crushing or dismantling the battery .This can result in fire or explosion.
4. Do not leave the battery in a high temperature environment, which may cause the explosion or leakage of explosive flammable liquid or gas.
5. Do not expose the battery to excessively low air pressure, which may cause the explosion or leakage of explosive flammable liquid or gas.
6. The equipment is not suitable for use at altitudes greater than 2,000m above sea level. Prolonged exposure to ultraviolet light, rain and other factors may damage the enclosure material. It shall be stored indoors when not in use.

WARNING – Risk of Fire – No User Serviceable Parts

AVERTISSEMENT- Risque d' incendie et de choc électrique - Aucune des pièces ne peut être réparée par l' utilisateur

FCC Compliance Statement

FCC NOTICE (Class A)

This device complies with Part 15 of the FCC Rules. Operation is subject to the following two conditions: (1) this device may not cause harmful interference, and (2) this device must accept any interference received, including interference that may cause undesired operation.

Federal Communications Commission Statement

NOTE(This equipment has been verified and found to comply with the limits for a Class A digital device, pursuant to Part 15 of the FCC Rules. These limits are designed to provide reasonable protection against harmful interference. This equipment generates uses and can radiate radio frequency energy and, if not installed and used in accordance with the instructions, may cause harmful interference to radio communications. However, there is no guarantee that interference will not occur in a particular installation. If this equipment does cause harmful interference to radio or television reception, which can be determined by tuning the equipment off and on, the user is encouraged to try to correct the interference by one or more of the following measures:

Reorient or relocate the equipment. Increase the separation between the equipment and receiver.

Connect the equipment into an outlet on a circuit different from that to which the receiver is connected.

Consult the dealer or an experienced technician for help.

Any changes or modifications not expressly approved by the party responsible for compliance could void the user' s authority to operate the equipment.