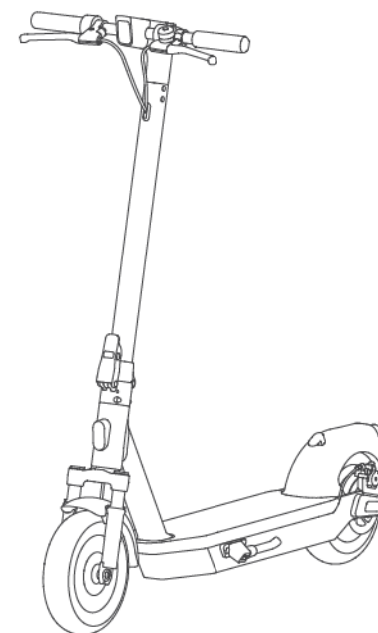




## KS6 Pro Electric Scooter Instructions



Manufacturer: Yadea Technology Group Co., Ltd.  
Production address: Dongsheng Road,Dacheng Industrial  
Zone,Anzhen,Xishan District,Wuxi,Jangsu,China.  
[www.yadea.com](http://www.yadea.com)  
E-mail: [afterservice03@yadea.com.cn](mailto:afterservice03@yadea.com.cn)

Tips:This User Manual contains important safety, operation and maintenance information. Please read and understand all the contents prior to operating the scooter. For your safety, follow all the safety warnings in the Manual and the labels applied to this scooter. Please keep the Manual for future use.

## Table of Contents

1 Safety precautions -----	01
2 Product accessories -----	03
3 Parts description -----	04
4 Dashboard -----	05
5 Scooter assembly -----	06
6 APP Initial Settings -----	07
7 Charging -----	08
8 Safe ride -----	09
9 Safety warning -----	10
10 Opening, folding-up and carrying -----	14
11 Specifications -----	15
12 Troubleshooting -----	16
13 Maintenance and repairs -----	16
14 Trademark and Disclaimer -----	18

Dear users:

Thank you for choosing YADEA electric scooters.

This Manual contains important safety information. A fully understanding of this Manual helps to increase your riding safety. As an integral part of the scooter, please hand it over with the scooter when transferring the use rights, such as sell or lend the scooter to others.

Please be sure to purchase YADEA electric scooter (or scooter) via official channels, and use the designed spare parts from YADEA. Please keep the invoice as a proof of warranty.

Please follow this Manual to maintain the scooter on schedule. For any problems found, please contact authorized service stations in your region or our company, we will provide you with quality maintenance, repair and other services.

This User Manual is the property of YADEA Technology Group Co., Ltd. ("YADEA Group"). Reprinting of this User Manual without prior consent by YADEA Group in written is prohibited.

Thanks again for choosing YADEA electric scooters!

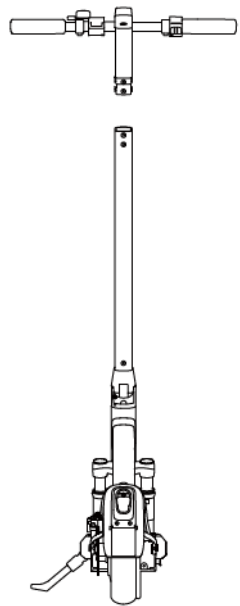
Enjoy your ride.

## 1 Safety precautions

- 1) This scooter is a recreational product. For starters, please learn to ride this scooter by following this User Manual. YADEA Group shall not be liable for any loss or injury due to lack of riding skills or failure to following this User Manual.
- 2) Following instructions and warnings contained in this User Manual shall not eliminate all risks when riding this scooter. Risks such as loss of control, collision or fall may occur. Follow local laws and regulations while entering into public space. Like other vehicles, it takes a longer braking distance when it goes faster. Braking along a slippery surface may lead to skidding or fall.
- 3) Traffic in the city has many obstacles to cross such as curbs or steps. It is recommended to avoid obstacle jumps. It is important to anticipate and adapt your trajectory and speed to those of a pedestrian before crossing these obstacles. It is also recommended to get out of the vehicle when these obstacles become dangerous due to their shape, height or slippage.
- 4) Exercise caution while riding this scooter. Keep a safe distance from pedestrians and vehicles. Keep alert and ride slowly while entering into a strange area or complicated terrain. Reflective coat is recommended while riding at night. Keep alert and ride slowly.
- 5) Wear a helmet and other protective gear while riding this scooter, such as protections for hand/wrist, knee cap, head and elbow.
- 6) Respect the right of way by pedestrians. Keep to the left while riding in the same direction with pedestrians. Keep to the right while riding in opposite direction with the pedestrians. Slow down to avoid startling the pedestrians. In other circumstances, follow local traffic laws and regulations.
- 7) Ride in the bicycle lane.
- 8) Safety instructions for riders contained in this User Manual must be followed in areas where laws and regulations are not available for scooters. YADEA Group shall not be liable for any property loss, accident, injury, death or legal disputes due to the failure to follow such instructions.
- 9) Do not lend your scooter to any one who has not read through this User Manual. Otherwise, please lend in a responsible way for the safety of others. Assist the beginners to learn how to use this product until basic operations of the scooter are mastered. Make sure the beginners will wear a helmet and other protective gear while learning and using the scooter.
- 10) Before riding, check the fasteners and components to make sure they are at good conditions; check the circuits and front and rear lights; and check the braking. In case of any abnormal sound or alert, stop riding immediately and contact the authorized local service station or our company.
- 11) Personal e-mobility devices are not intended for use at elevations greater than 2000 m above sea level.
- 12) Do not ride in adverse weather conditions, such as storm, heavy fog, or snowing.
- 13) This product is intended for one rider only. Wear shoes while riding this product. do not wear sandals. Maximum body weight is 110kg, maximum body height is 200cm.
- 14) Do not recharge the scooter when the charger or socket is wet. Read through this User Manual before charging.
- 15) Use the accompanying YADEA charger ONLY. do not use other charger brands.
- 16) Use YADEA authenticated parts and components ONLY. No User Serviceable Parts. Do not tamper with your scooter. Any tampering of the scooter leading to serious damage or injury will render the warranty null and void.
- 17) Be sure to place the scooter on a smooth ground to prevent any tip-over.
- 18) Read through and follow all "ATTENTION", "WARNING" and "Risk of Fire" items contained in this User Manual in order to minimize risks. do not ride the scooter in a motor lane under any circumstance. Preferred rider age is between 16 and 50 years old. Follow safety instructions below:
  - A. Following individuals are not advised to ride the scooter:
    - I. Pregnants, juniors, seniors
    - II. Individuals under the influence of alcohol or other drugs
    - III. Overweight individuals
    - IV. Fatigued individuals
    - V. Disabled
  - B. Riders below 18 years old shall ride the scooter under supervision by adults.
  - C. Follow local laws and regulations when riding the scooter. do not ride in areas prohibited by the local laws and regulations.
  - D. For safety, keep an eye on the road ahead, and make sure you are clearly seen by others.
- 19) Warning! Keep plastic covering away from children to avoid suffocation.
- 20) Cross the protected passages while walking.
- 21) In all cases, take care of yourself and others.
- 22) This vehicle is not intended for acrobatic use.
- 23) Caution, the brake may become hot in use. Do not touch after use.
- 24) Eliminate any sharp edges caused by use.
- 25) Do not modify or transform the vehicle, including the steering tube and sleeve, stem, folding mechanism and rear brake. Not make any modifications that are not noted in the manufacturer's instructions
- 26) Self replacement of parts is not recommended
- 27) Any load attached to the handlebar will affect the stability of the vehicle.

## 2 Product accessories

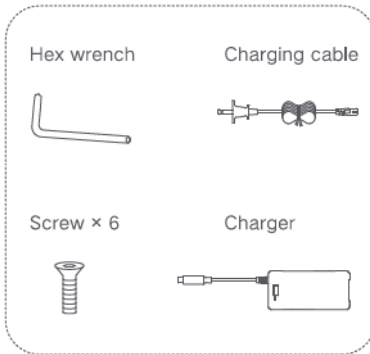
### Scooter



#### Documentation



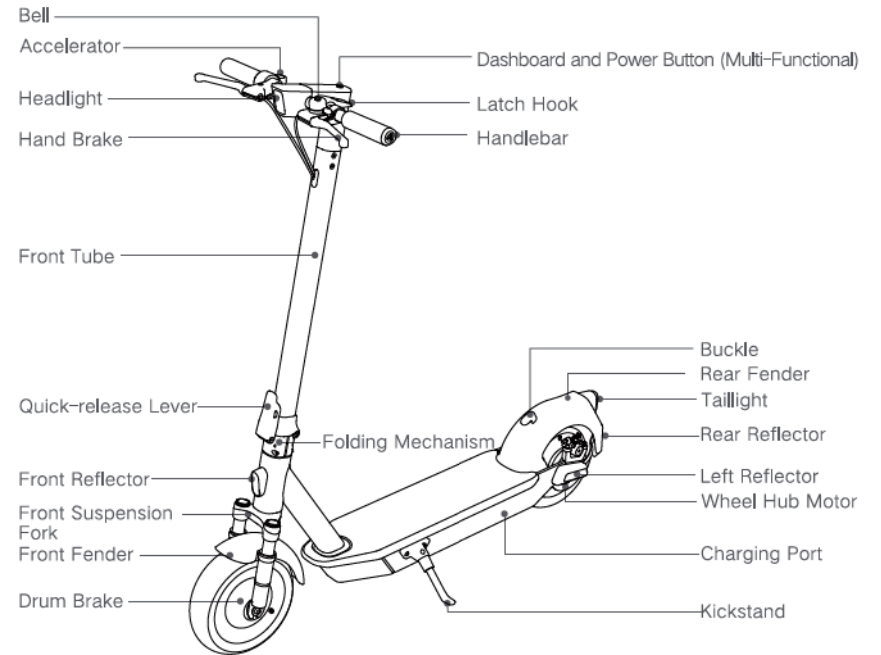
#### Accessories



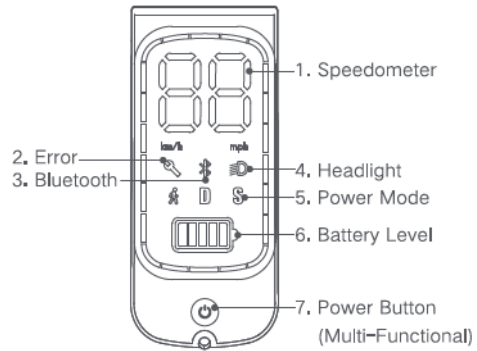
Please check the above product and accessories after unpacking the scooter. When any parts or accessories are missing or damaged, contact the authorized service stations in your region. After making sure all the parts are in good condition, you may start the assembly process.

Please keep the packaging materials for future transportation. Headlights are used for lighting, the rear tail lamps are clearance lamps. The self-tightening nuts as well as the other self-tightening fastenings may lose their efficiency and that they may need to be retightened.

## 3 Parts description



## 4 Dashboard



1. Speedometer: Display the current speed and error code.

2. Error: The lit wrench indicates that the scooter has detected an error (please refer to page 17 for details).

3. Bluetooth: The lit icon indicates that the scooter has been successfully connected to the Bluetooth and your scooter will beep.

4. Headlight: When the headlight is on, the icon is lit.

5. Three modes available. "P" for Pedestrian mode with a maximum speed of 3.7mph (6kmph), "D" for Standard mode and "S" for Sport mode (high speed). Rear tail lamp will remain on when on the pedestrian mode.

	Mode	eKFV	EN	UL
KS6 Pro	S	20km/h	25km/h	30km/h
	D	15km/h	15km/h	15km/h
	P	6km/h	6km/h	6km/h

6. Battery level: The battery power is indicated by 5 bars, each representing approximately 20% of a full battery.

7. Power button (multi-functional): Short press to turn on the scooter and long press to turn it off. The scooter will be turned off automatically after 3mins without any scooter or App operation.

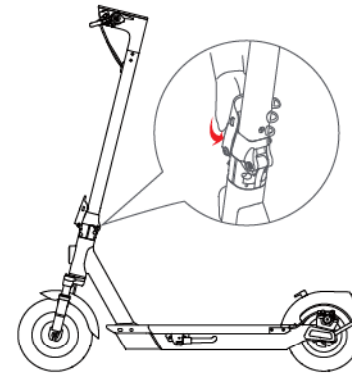
When the scooter is on, single press the button to shift between modes, and the scooter beeps upon successful operation.

When the scooter is on, double press the button to turn on/off headlight, and the scooter beeps upon successful operation.

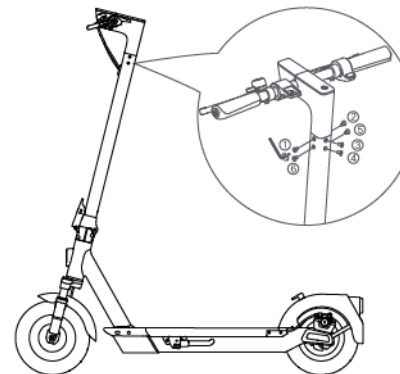
When the scooter is on, triple press the button to shift speed unit of kmph or mph, and the scooter beeps upon successful operation.

## 5 Scooter assembly

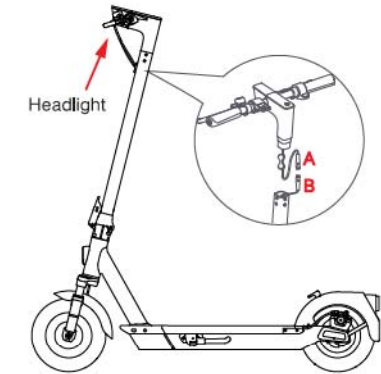
1. Unfold the front tube to the maximum position, press the folding and quick-releasing handle until a "crack" sound appears. Unfold the kickstand to support the scooter.



3. Use the accompanying hexagon spanner to install 4 screws in the order 1-2-3-4-5-6.



2. Install the handlebar on the front tube in the correct direction.



4. Check if your scooter can be started normally.



## 6 APP Initial Settings

Read all the precautions in the manual.

▲ Attention: During ride, the phone should be as close to the scooter as possible.

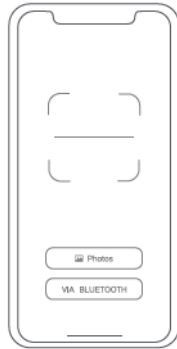
Download "Yadea" APP from APP store (iOS&Android)



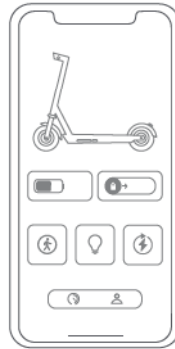
1. Open "Yadea" APP. Click "Agree" to <the User Service Agreement >and <Privacy Policy>, then Register.



2. Click Register, enter email address, get verification code, set password, complete registration.



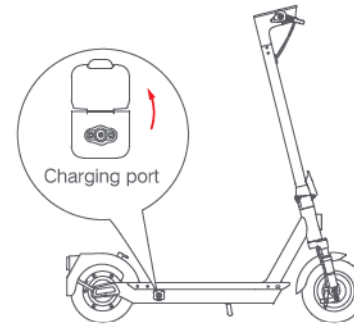
3. Scan the QR code of the scooter instrument position or "VIA BLUETOOTH" to bind the vehicle.



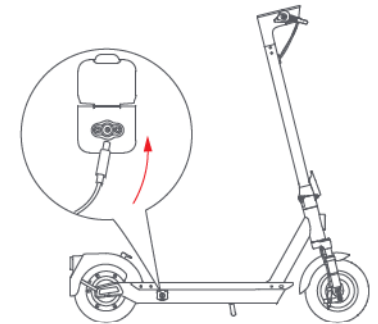
4. After the connection is successful, start using. Enjoy your ride now!

## 7 Charging

1. Open the charging port.



2. Charger connection: Connect battery first, then connect to town electricity.



▲ **WARNING:**

Charger red light on means charging is in progress, green light on means charging is completed. Disconnect the charger upon full charging. Use original charger, or battery may be subject to damage or risk of fire.

## 8 Safe ride

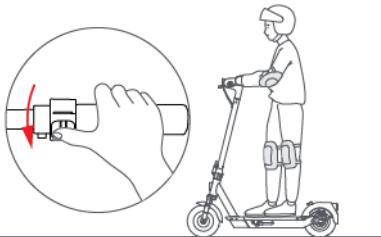
Wear a safety helmet and other protective gear to minimize potential risks or injuries.



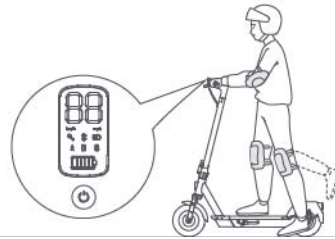
2. Step on to the scooter pad with the other foot to keep balance, and press the throttle to speed up.

### ATTENTION

Instructions covering all functions of the vehicle, specially driving power assistance start mode (e.g. pushing the vehicle by more than 3 km/h and activating the power assistance mode).



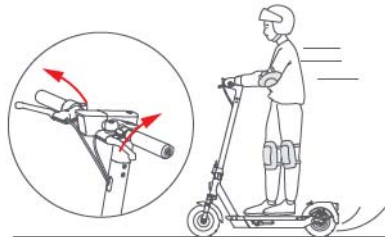
1. Check battery frequently, charge the battery when power is low. Stand on the pedal with one foot and push off with another foot to start gliding.



3. Release the speed controller to slow down; squeeze the braking handle to brake.

### WARNING:

Abrupt braking may result in falling and serious injury due to loss of traction. Maintain proper speed and beware of potential hazards.



## 9 Safety warning

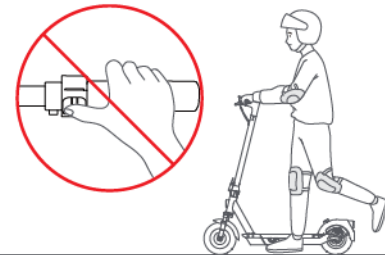
1. Do not ride the scooter with only one foot.

### WARNING:

Failure to follow instructions below may lead to serious injury.



3. Do not press the throttle when walking the scooter.



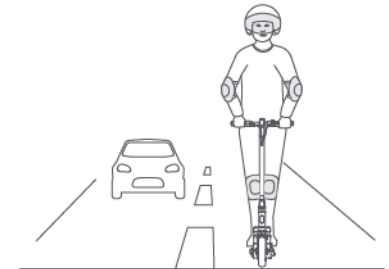
2. Do not leave one or two hands while riding.

### WARNING:

Hold on to the handle with both hands, or you may lose balance and suffer injury due to falling. Do not press throttle when hold and walk with the the scooter.



4. Do not ride on the motor lane or highway.



5. Avoid any obstructions while riding the scooter. Do not attempt to ride through puddles or any other watery obstructions. In this case, slow down and ride around the obstructions.



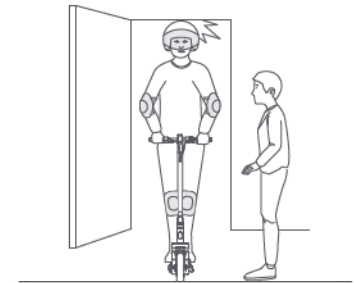
6. Slow down while riding on the deceleration strip, threshold, bumpy road or other non-flat roads.



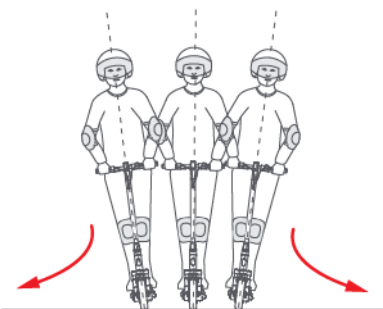
9. Do not ride the scooter in rainy weather!



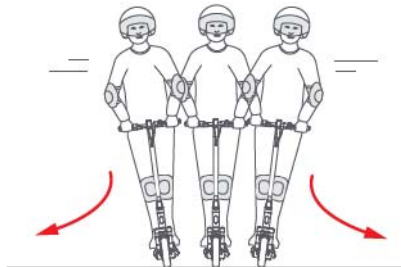
10. Beware of elevated obstructions to prevent injury.



7. While turning your body or direction, tilt your body towards the turning direction, and slowly turn the handle, do not attempt to make abrupt turns.



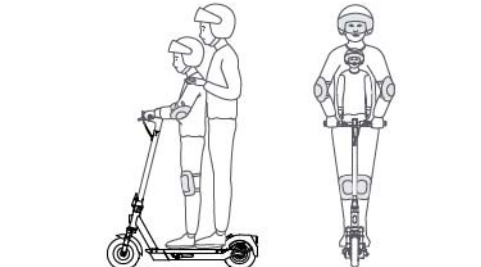
8. Do not attempt to abruptly turn the handle while riding at high speed.



11. Do not place heavy objects on the scooter handle.

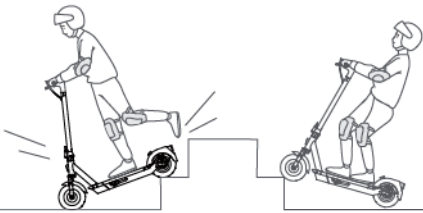


12. The scooter is for a single rider only. Do not ride with an extra person. Do not ride the scooter while holding or carrying a child.

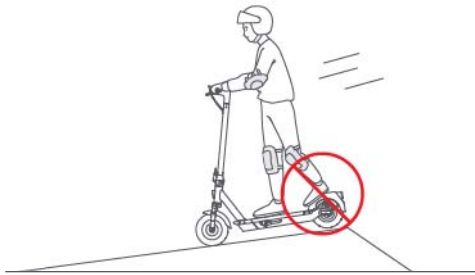




13. Do not ride the scooter up or down a stair or over obstructions.



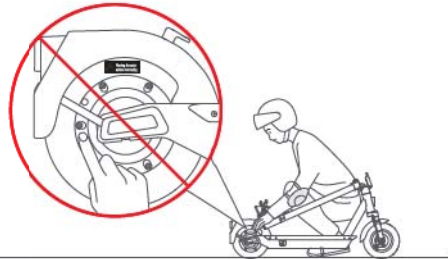
14. Control speed while going down a slope, do not step on fenders.



15. Do not watch your phone screen or wear earpieces while riding the scooter.



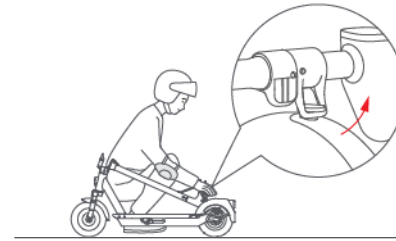
16. Do not touch the motor while riding the scooter to prevent skin burn.



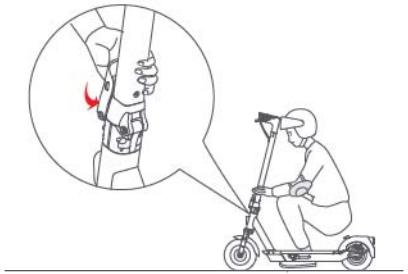
## 10 Opening, folding-up and carrying

### Opening

1. Turn the Latch Hook clockwise to release it from the hook. Lift up the scooter from the Rear Fender.

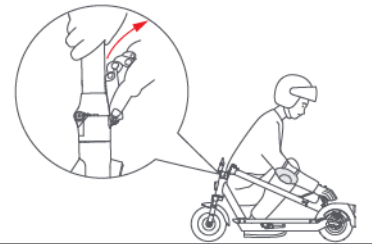


2. Use right hand to hold the scooter handle and raise the Front Tube till the maximum position. Press down the Quick-release Lever till the Folding Mechanism clamp on the round nut on the Front Tube.



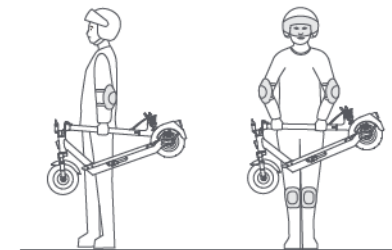
### Folding-up

Use the right hand to hold the Front Tube, use the left thumb to push up the safety button, open the Quick-release Lever, fold up the Front Tube, such that the Latch Hook will attach to the the hook on the Rear Fender.



### Carrying

Fold up your scooter for carrying.



## 11 Specifications

Parts	Items	Parameters
Wheel	Front Wheel	10 Inch
	Rear Wheel	10 Inch
Motor	Nominal Power	500W
	Max Torque	≥35N · m
	IP Rating	IP65
Battery	Rating Voltage	36V
	Working Voltage	30 - 42V
	Capacity	15.3Ah
	Charging Temperature	0-45°C (32 - 113°F)
	Protection Functions	Overcharging/Over-discharging/Short circuit/ Over heating and over current protection
Charger	Input Voltage	AC100-240V
	Input Current	≤2.0A
	Output Rated Voltage	41V
	Output Current	1.7A
	Charge Time	≈8h
	Charger Model	NBW41D001D7D
Machine	Max Speed	eKFV: 20km/h, EN17128: 25km/h, UL: 30km/h
	Typical Range	50km(31mile)
	Braking System	Front Drum Brake + Rear Disc Brake + Electric Brake
	Max Slope	18%
	Weight Limit	110kg (242lbs)
	Net Weight	21.6kg
Features	Riding Modes	Pedestrian, Drive and Sports
	Others	Energy recovery, lock and unlock your scooter via the App

\* Typical range: measured when the scooter is fully charged, with a load of 75kg, ambient temperature of 22°C, no wind, flat asphalt road surface, and at a constant speed of 15km/h.

## 12 Troubleshooting

Code	Error Indication	Solution
E0	Communication error	Check wiring between controller, instrument and battery, replace controller, instrument or battery when necessary
E1	Handlebar error	Check wiring or replace handlebar
E2	Braking error	Check wiring or replace braking shut-off switch
E3	Motor Hall error	Check Hall wiring or replace motor
E4	Motor phase wire or MOS tube short circuit error	Check motor phase wire or replace motor/controller
E5	Controller error	Check controller wiring or replace controller
E6	Battery error	Check battery connection or replace battery

Tips: For any queries, contact customer service center at [www.yadea.com](http://www.yadea.com) or via [afterservice03@yadea.com](mailto:afterservice03@yadea.com),cn

## 13 Maintenance and repairs

### Cleaning & storage

Rub the scooter with a piece of soft, wet cloth. Remove sticky dirt with a tooth brush and toothpaste, and clean with a piece of soft, wet cloth.

### ATTENTION:

Do not clean your scooter with alcohol, gasoline, acetone or other corrosive/volatile solvents, which may compromise your scooter appearance and internal structure. Do not wash your scooter with forced cleaner. If the electric scooter is used for a long time, the screws may be loose, which may cause the riser to shake. Commissioning required

### ▲ WARNING:

Before cleaning, turn off the power, remove the charging cable, close the rubber cover at the charging port to prevent damaging the electronic components.

Place your scooter at a shady and dry location. Do not put your scooter outside for a prolonged period. Direct sunlight and extreme temperatures (cold and hot) may accelerate the ageing of plastic parts and compromise the battery life.

Prolonged Exposure to UV Rays and the Elements May Damage the Enclosure Materials. Store Indoors When Not in Use.

**⚠ WARNING:**

As with any mechanical component, a vehicle is subject to high stresses and wear. The various materials and components may react differently to wear or fatigue. If the expected service life for a component has been exceeded, it may break suddenly, therefore risking causing injuries to the user. Cracks, scratches and discoloration in the areas subject to high stresses indicate that the component has exceeded its service life and should be replaced.

**Tires**

The accompanying tires are installed by service technicians. Wheel dismantling is a complex process.

Incorrect assembly may lead to scooter instability or failure:

- Within the warranty period, please contact service personnel. You may request a list of authorized service personnel from the customer service center at [www.yadea.com](http://www.yadea.com).
- For any queries, please contact customer service center at [www.yadea.com](http://www.yadea.com).

**Battery maintenance**

Do not remove the battery. For any queries, contact customer service center at [www.yadea.com](http://www.yadea.com) or via [afterservice03@yadea.com.cn](mailto:afterservice03@yadea.com.cn)

Store your scooter under temperature -20-40°C. Charge your scooter under temperature 0-45°C. It is forbidden to put the battery in a high temperature of more than 50 °C or a low temperature of less than - 20 °C to avoid spontaneous combustion and explosion of the battery.

Check battery level before each ride. Insufficient power level will affect your riding.

Charge your scooter when power level is less than 20% to avoid battery exhaustion.

Do not pierce through the battery. Refer to local laws and regulations for battery recycling and/or disposal.

**ATTENTION:**

Typically, a fully charged battery will hold at idle state for 120-180 days. For ride at low power, the battery will hold for 30-60 days. Remember to charge the battery after each ride. Battery exhaustion may lead to permanent damage. Electronic devices in the battery will record the battery discharging and charging conditions; over-charging or damage caused by over-charging are not part of the warranty.

**⚠ WARNING:**

Do not touch the battery contacts. Keep the battery contacts away from metallic objects to avoid short circuit. Be attention to fire and electric shock danger. The battery does not contain any user-serviceable parts. In case of battery damage or wet sign, do not charge or use.

**⚠ WARNING:**

Do not ride the scooter when the ambient temperature is beyond its operating temperature (refer to Specification), as low / high temperature may compromise its maximum power / torque, and may cause slipping or fall, which may lead to personal injury or property loss.

**Miscellaneous**

The connecting flexible cable of the charger can not be replaced. In case the cables are damaged, the charger must be discarded and replaced. For any queries, please contact us via [afterservice03@yadea.com.cn](mailto:afterservice03@yadea.com.cn).

In case of error or failure, within the warranty period, contact authorized service personnel, beyond the warranty period, you may contact any professional service personnel of your choice. You may request a list of authorized service personnel from the customer service center at [www.yadea.com](http://www.yadea.com). For any queries, contact customer service center at [www.yadea.com](http://www.yadea.com). We have tried to make this User Manual concise. If any specific operation is complex, it is recommended to contact authorized or dedicated service personnel or customer service personnel.

## 14 Trademark and Disclaimer

This scooter is a patented product. More info related to patent please find [www.yadea.com](http://www.yadea.com)

We have made the best effort to include descriptions and instructions for all functions of the scooter in the User Manual. However, due to the continuous improvement of product features and design changes, your scooter may be slightly different from what is shown in this document. Visit Apple Store (iOS) or Google Store (Android) to download and install the App for details.

Kindly note that some functions mentioned herein may not be applicable to you. The manufacturer reserves the right to alter the design and function of the scooter and this document without prior notice.

All rights reserved @YADEA Technology Group Co., Ltd..

**FCC Compliance Statement**

This device complies with Part 15 of the FCC Rules. Operation is subject to the following two conditions:

(1) this device may not cause harmful interference, and (2) this device must accept any interference received, including interference that may cause undesired operation.

changes or modifications not expressly approved by the party responsible for compliance could void the user's authority to operate the equipment.

This equipment has been tested and found to comply with the limits for a Class B digital device, pursuant to Part 15 of the FCC Rules. These limits are designed to provide reasonable protection against harmful interference in a residential installation. This equipment generates, uses and can radiate radio frequency energy and, if not installed and used in accordance with the instructions, may cause harmful interference to radio communications. However, there is no guarantee that interference will not occur in a particular installation.

If this equipment does cause harmful interference to radio or television reception, which can be determined by turning the equipment off and on, the user is encouraged to try to correct the interference by one or more of the following measures:

- Reorient or relocate the receiving antenna.
- Increase the separation between the equipment and receiver.
- Connect the equipment into an outlet on a circuit different from that to which the receiver is connected.
- Consult the dealer or an experienced radio/TV technician for help.

**FCC Radiation Exposure Statement**

This equipment complies with FCC radiation exposure limits set forth for an uncontrolled environment.

This equipment should be installed and operated with minimum distance 5mm between the radiator and your body. This transmitter must not be co-located or operating in conjunction with any other antenna or transmitter.