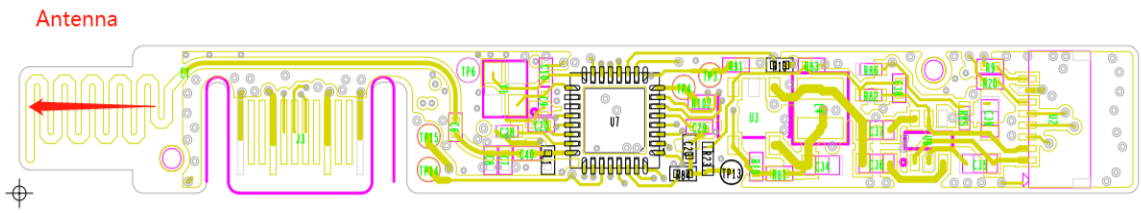
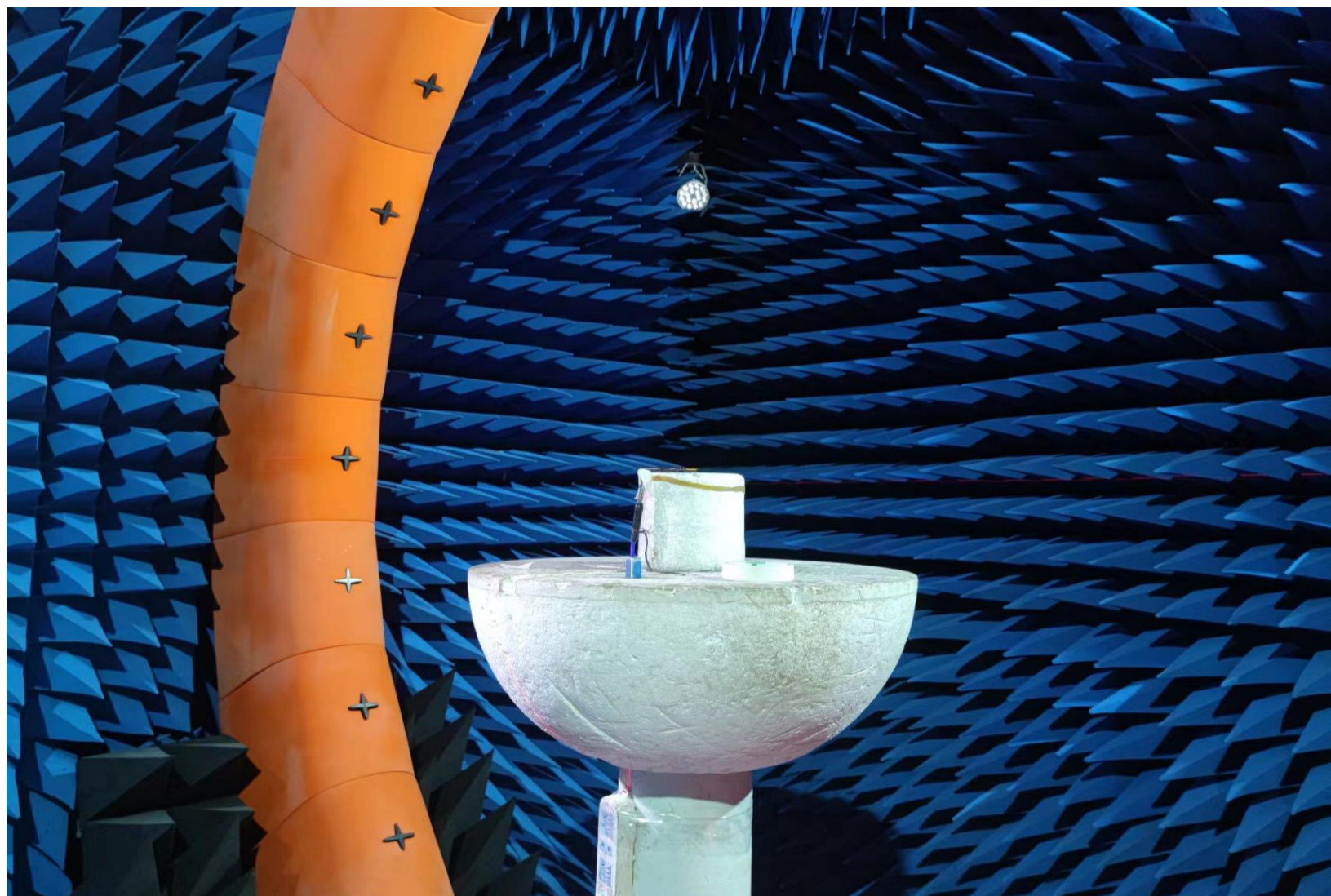


PCB Model	APP412 TAIL 2.1
PCB Type	Onboard Antenna
Antenna direction	

Antenna model: ME-APP412A
 Antenna gain: 0.1 dBi

Antenna Realized Efficiency

Frequency	Efficiency
2400000000	21%
2410000000	22%
2420000000	23%
2430000000	24%
2440000000	25%
2450000000	24%
2460000000	25%
2470000000	25%
2480000000	24%
2490000000	24%
2500000000	24%



Radiation Patterns @ 2.4GHz

