

150 mm


Pencil A14

封面

磁性吸附到iPad以充电和存放
Magnetically attach to iPad to pair and store

短按笔帽按键即可开机，开机后手动进行蓝牙配对
Briefly press the pen cap button to turn on the phone and manually pair Bluetooth after turning on

充电完成之后或静止5分钟自动关机
The Pencil will automatically shut down after finish charging or stand for 5 minutes without charging



兼容机型:

<p>iPad Pro 12.9英寸(第三代及以后) iPad Pro 12.9-inch (3rd generation or later) A2378/A2379/A2461/A2462/A2229/A2232/A2233/A2069/A1876/A2014/A1895/A1983/A2436/A2764/A2437/A2766</p>	<p>iPad Pro 11英寸 iPad Pro 11-inch A1979/A1980/A1934/A2013/A2228/A2068/A2230/A2231/A2377/A2301/A2459/A2460/A2759/A2435/A2761/A2762</p>
<p>iPad Air(第四代及以后) iPad Air (4th generation or later) A2316/A2325/A2588/A2589/A2324/A2072/A2591</p>	<p>iPad Mini(第六代) iPad Mini (6th generation) A2567/A2568/A2569</p>

48 mm

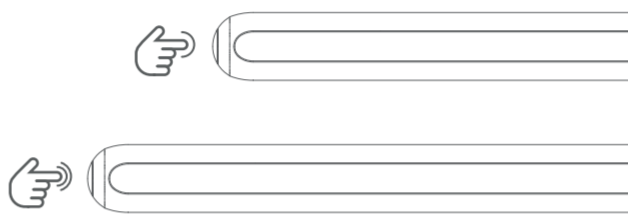
48 mm

48 mm

150 mm

快捷按键:
单击: 回主界面
双击: 打开APP切换器

Shortcut keys:
Short press: Return to the Home Screen
Double press: Turn on APP Switcher



LED指示灯:

关机状态短按开机: 绿灯亮2s后切换为电量指示灯
开机状态长按2s关机: 红灯亮2s后关机
蓝牙配对中: 红白双闪
蓝牙配对成功后: 白灯亮2s后切换为电量指示灯

LED indicator:

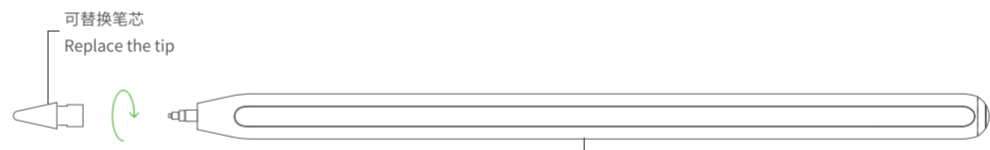
Short Press to start: White LED for 2s then Switch to Battery level LED
Press and hold for 2s to power off: Red LED for 2s
Bluetooth Paring: Red and White LED flash
Successful Paired: White LED for 2s then Switch to Battery level LED

60%-100%: 白灯
20%-60%: 蓝灯
0%-20%: 红灯

60% - 100% White LED
20% - 60% Blue LED
0% - 20% Red LED

PN:7106500231

可替换笔芯
Replace the tip



一体式设计
Integrated Design

48 mm

48 mm

48 mm

