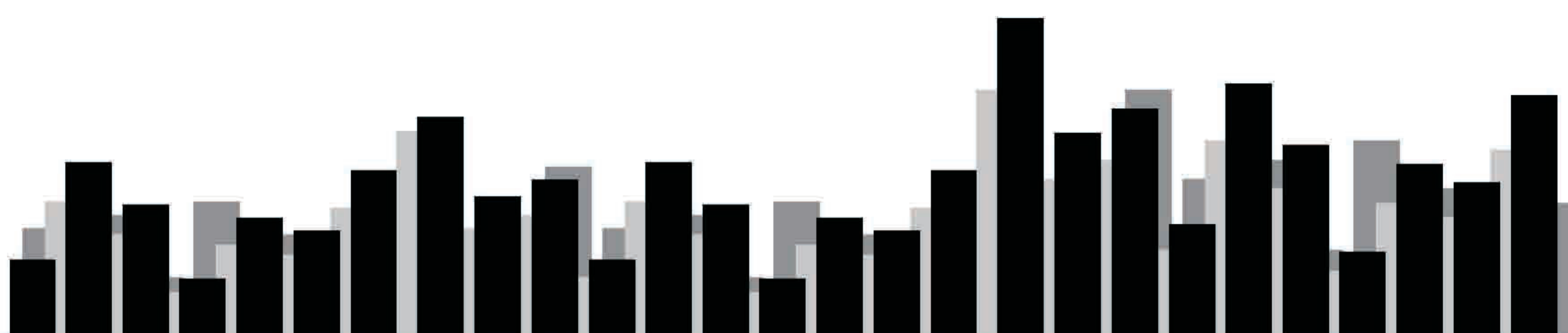




SDX1M

CAR RADIO
Bluetooth/USB/SD/AUX

USER MANUAL



Manual

Thank you for buying this product. Please read through these operation manual so you will know how to operate your model properly.

Important Reminder

- 1.If your vehicle is exposed to direct sunlight which causes excessive heat in the vehicle, then you should wait for lower temperature to operate this head unit.
- 2.If the machine does not have a supply power, Please check the connection status and see whether everything is normal. Check the fuse.
- 3.When playing from USB, please be careful not to enter a damaged file, to prevent damage from the machine. Unplug USD /SD card if it's not used for a long time.
- 4.Avoid shorting. Do not place metal objects (screws, coins) and other components into unit.
- 5.Before installation, please pay attention to the wiring diagram and connectivity. Avoid short-circuit
- 6.The unit can play MP3/WMA music format. Do not open a picture or video on this unit. The unit will display MP3/WMA which is being played currently.
- 7.This unit supports Bluetooth calling and Music playback from your phone. The unit however does not support a phone book function.The incoming/outgoing number will be displayed and read aloud by the unit.

INSTALLATION INSTRUCTION

Please pay attention when installing the wiring diagram

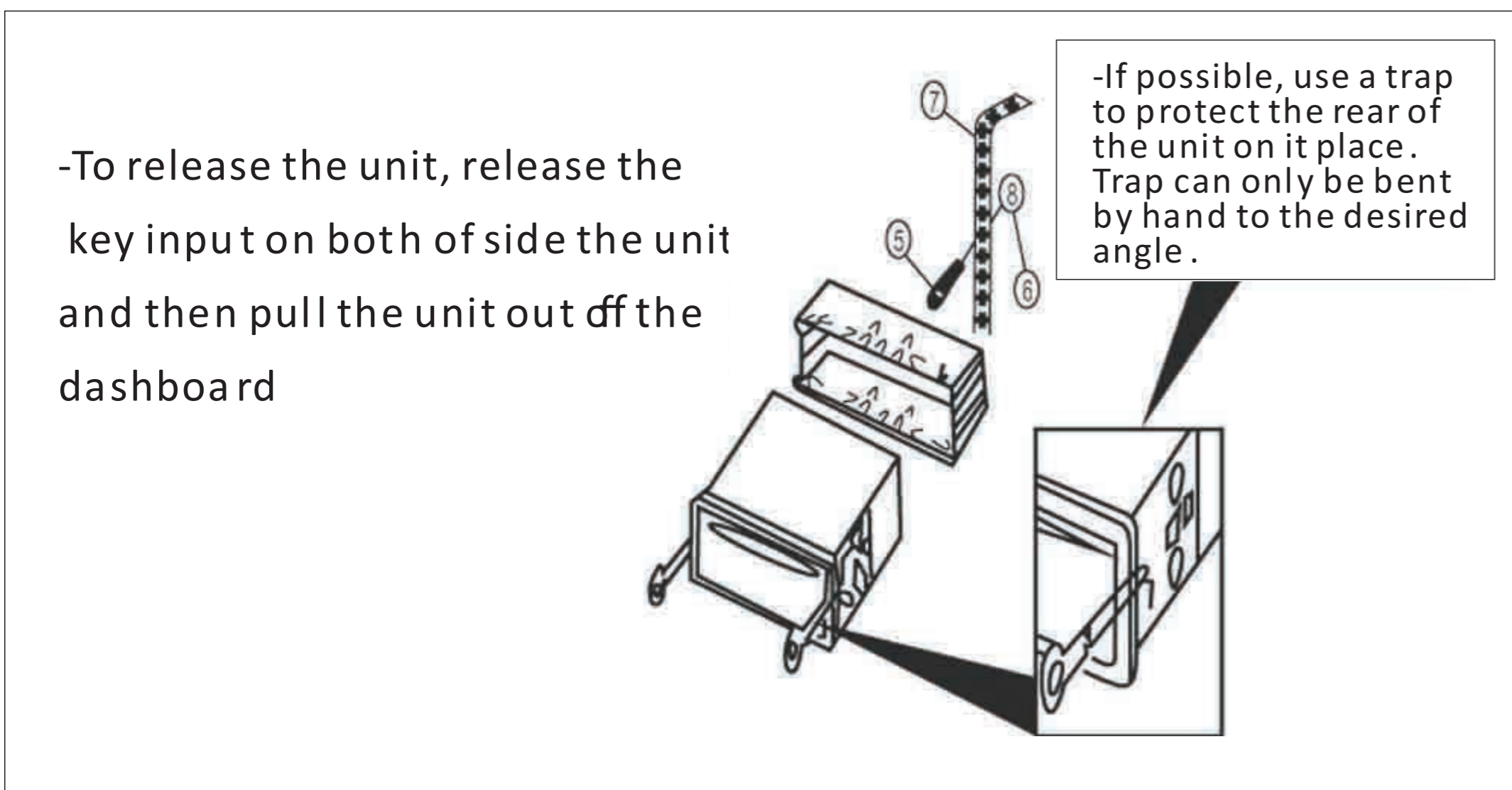
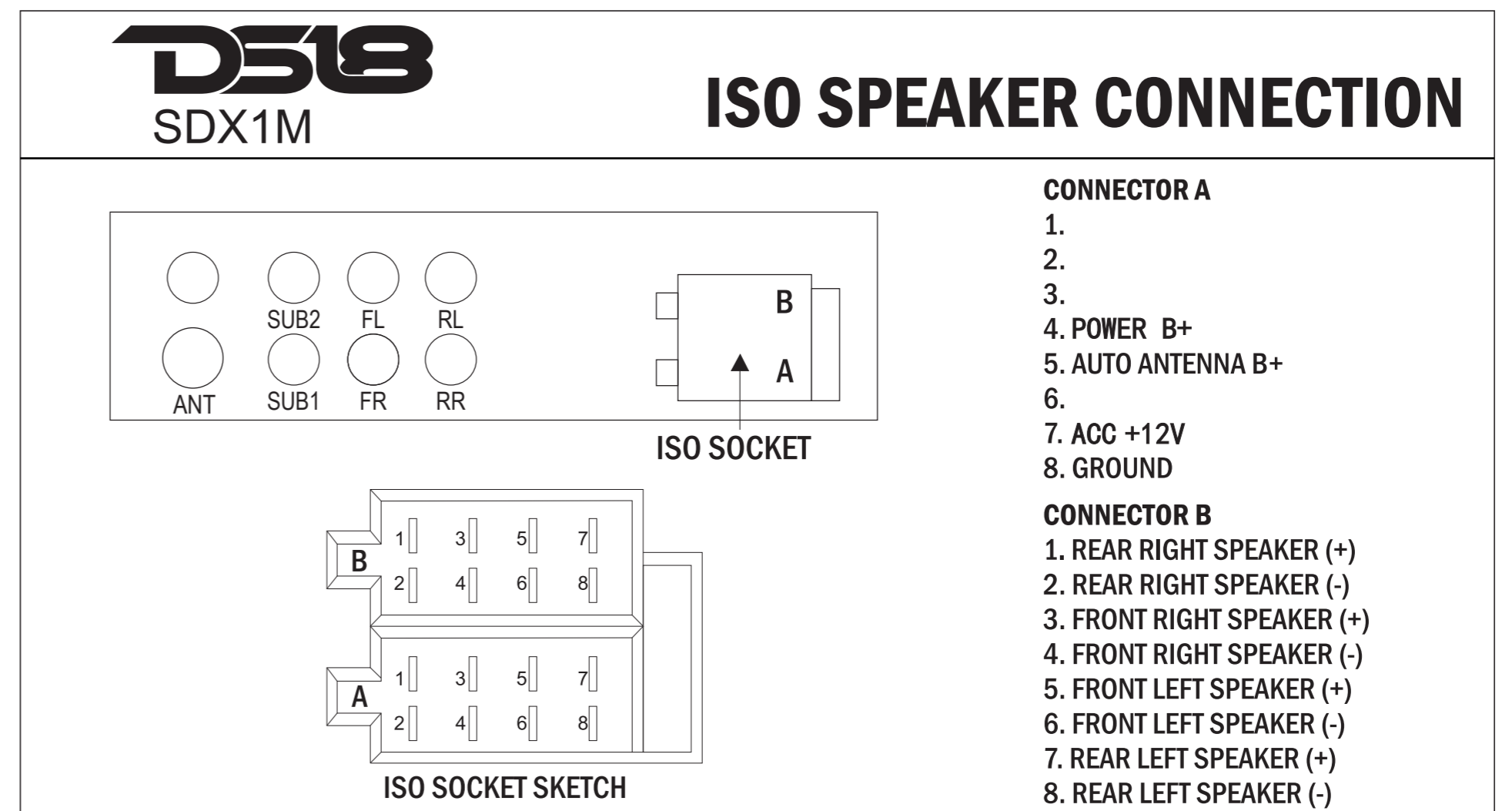
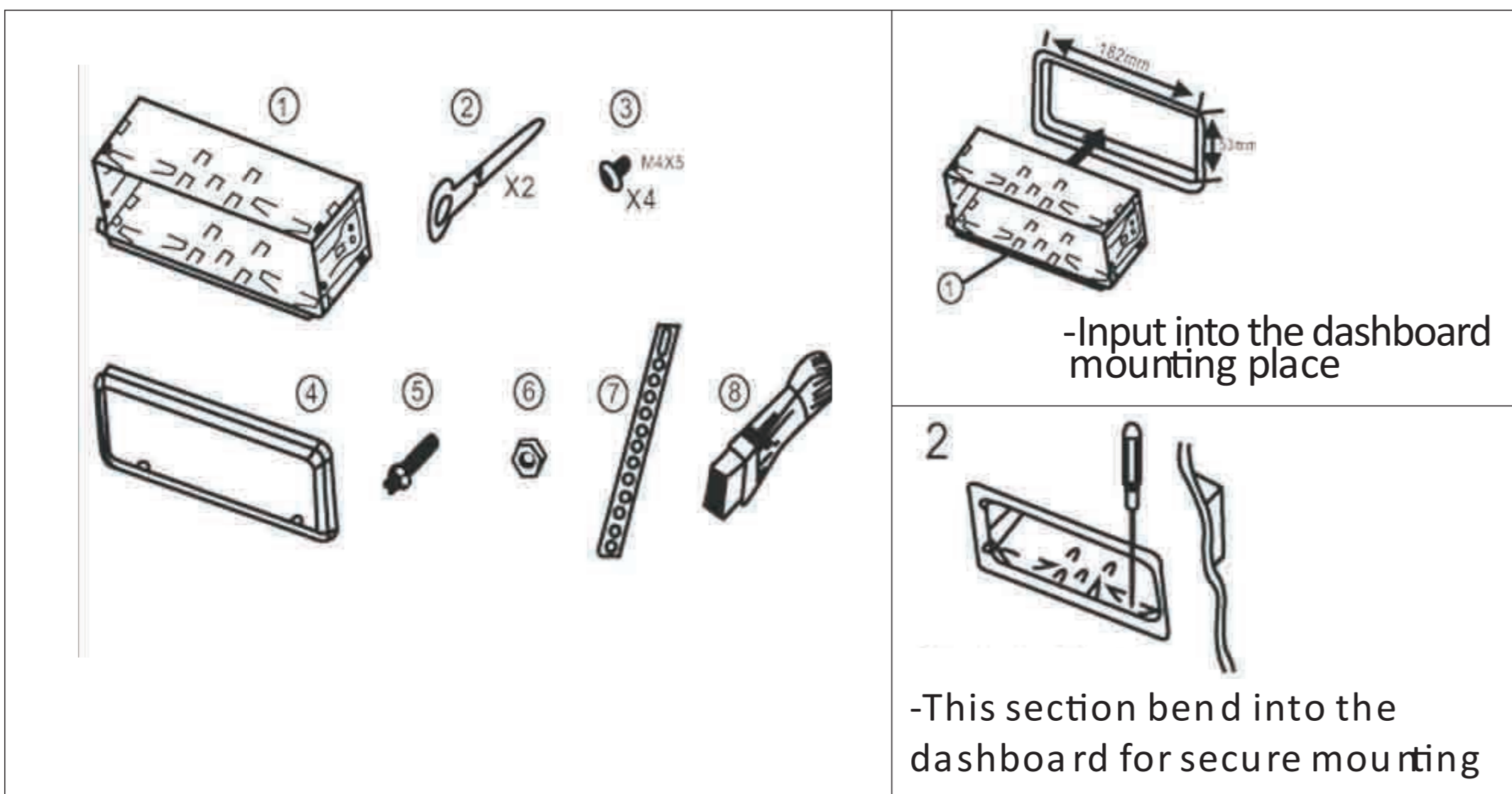
1. Installation of metal connection: consider an illustration, a set of metal into the instrument panel. With the driver. Power and polarity: positive line and positive pole of the battery and ground the negative (negative pole at the end)
2. Check to avoid shorting, that everything is connected and then connect the negative pole of the battery.

-Yellow (cable memory) : a positive connection with the 12v constant voltage (supplied with the machine memory lane)

-Red (power cord) : 12v power switch and connected (with the lines on the vehicle ignition switch controls)
 Speaker cable connection: this tool is design to use speakers with impedance of 4 – 8 Ohm
 Disconnect power to the connected speakers to avoid shorting.

Note : Do not use the speakers connected to ground or a body or touched one another. Do not combine with the power cord, as this may cause damage to the machine. Replace the fuse that had gone bad. Remove first the bad and replace it with a fuse that has the same size that is new to the block output.

Installation of Instruction:



OPERATION MANUAL

USB/SD/MMC/MP3/WMA PLAYER WITH RADIO RECEIVER & BLUETOOTH

MP3/USB

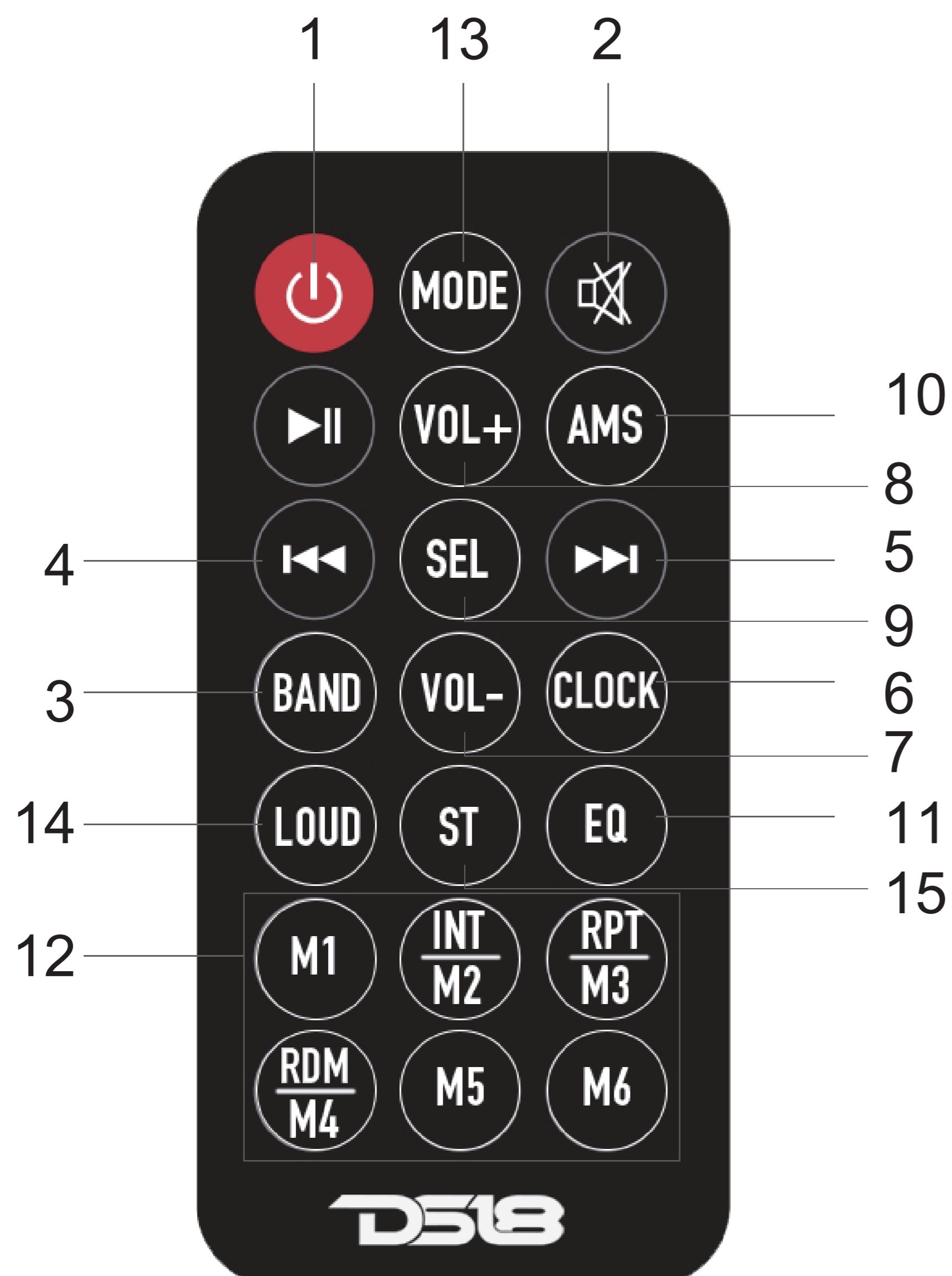


Panel function

1. On/Off
2. Mute
3. Mode/Answer phone
4. Band/Reject or hang up a call
5. Station tuning, fast forward and rewind
6. Clock adjustments
7. Preset stations
8. Aux input
9. Display
10. USB port
11. IR remote control window(optional)

BLUETOOTH CONNECTION:

Turn on the unit, find the bluetooth name " DS18 SDX1M "in you phone then click to connect. Once connected, the bluetooth icon on the screen of the device will stop flashing. Press "BAND" to respond and "Mode" to finish a phone call.



Remote function

1. Power Switch
2. Mute
3. Band
4. Last Track
5. Next Track
6. CLK
7. Volume Down
8. Volume Up
9. Multifunctional Selection Key
10. Radio Search
11. EQ
12. 0.1.2.3.4.5.6.7.8.9. digital key
13. Mode
14. Loud
15. ST

MAINTANANCE AND TROUBLESHOOTING

1.Power is not enough?

Box Fuse: make sure there's no short-circuiting between the wires; replace the old fuse with appropriate capacity. ACC position Auto Ignition System: hints same cable connected to the battery. A memory connected to the power lines and the positive power supply.

2.Off button doesn't work

Press the reset button on the panel. If it still does not work, unplug the power and plug it in again after a while.

3.No response after pressing LOUD

on some conditions for the selection of the source to adjust the tuning source, without any bass compensation.

4.Silence or noise

Balance or control sound settings are set on one side, fader and balance settings at the center position. Cable input / output cable is connected properly

5.The sound quality (distortion)

Speaker wires pinched by a screw. Recheck the speaker cable and the output terminal of the speaker

6.Poor radio reception

Check if the antenna under normal conditions. Check If the antenna socket either with or without contact.

SPECIFICATION

FM/AM Radio

Range Tuning: 87.5-108.0Mhz/530-1710Mhz

Sensitivity: =< 20 dB

Stereo Separation: =>25 dB

SNR: => 60 dB

Playback Information

Music Format: MP3, WMA

Display Format: ID3 Display

Distortion: =<0.3%

SNR: => 60 dB

Panel Size

P x L x T : 188 x 150 x 58 (mm)

Dimension Attached

P x L x T : 178 x 150 x 50 (mm)

Power Supply

Machine 12V: 11 – 16V

Note: This machine is 12V machine, not suitable for power supply 24V

Audio

Temperature operation: -20 - +60°C

Speaker impedance: 4 Ohm

Frequency response: 20 – 20000 Hz

Fuse: 10A

Bluetooth

Calling Profile

A2DP

Audio/Video Control Transport Protocol	AVCTP 1.4 Controller Target
Audio/Video Remote Control Profile	AVRCP v1.3 AVRCP v1.3 Controller Target
Generic Audio/Video Distribution Profile	Acceptor GAVDP 1.2 Initiator
Audio/Video Distribution Transport Protocol	Acceptor AVDTP 1.2 Initiator Sink
Advanced Audio Distribution Profile A2DP 1.2	A2DP 1.2 Sink (SNK)

FCC Warning Statement

Changes or modifications not expressly approved by the party responsible for compliance could void the user's authority to operate the equipment. This equipment has been tested and found to comply with the limits for a Class B digital device, pursuant to Part 15 of the FCC Rules. These limits are designed to provide reasonable protection against harmful interference in a residential installation. This equipment generates uses and can radiate radio frequency energy and, if not installed and used in accordance with the instructions, may cause harmful interference to radio communications. However, there is no guarantee that interference will not occur in a particular installation. If this equipment does cause harmful interference to radio or television reception, which can be determined by turning the equipment off and on, the user is encouraged to try to correct the interference by one or more of the following measures:

- - Reorient or relocate the receiving antenna.
- - Increase the separation between the equipment and receiver.
- - Connect the equipment into an outlet on a circuit different from that to which the receiver is connected.
- - Consult the dealer or an experienced radio/TV technician for help.

This device complies with part 15 of the FCC Rules. Operation is subject to the following two conditions: (1) This device may not cause harmful interference, and (2) this device must accept any interference received, including interference that may cause undesired operation.

The device has been evaluated to meet general RF exposure requirement.