

DS18
HYDRO



FOR MORE INFORMATION
PLEASE VISIT
DS18.COM

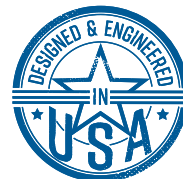
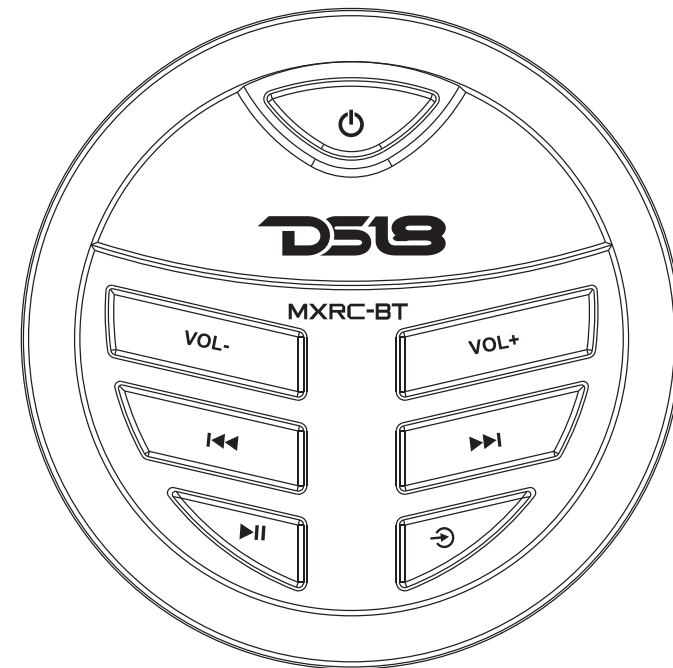
WE LIKE IT LOUD

DS18[®]

OWNER'S MANUAL
MXRC-BT

MARINE BT STREAMING
AUDIO RECEIVER WITH CONTROLS

RECEPTOR DE AUDIO BT
MARINO CON CONTROLES



▲▲ **FOR ALL ELEMENTS** ≡

General Specifications / Especificaciones Generales

Frequency Response / Respuesta de Frecuencia	20Hz-20KHz
Signal to Noise Ratio / Relación Señal a Ruido	≧ 80dB
Total Harmonic Distortion (T.H.D) / Distorsión Armónica Total	≧ 0.1%
Channel Separation / Separación de Canales	≧ 60dB
Operation Voltage / Voltaje de Operación.....	10V - 15V DC
BT Wireless Audio Version / Versión de Audio Inalámbrico BT.....	5.0 + A2DP
RCA Line Out (Pre-Amp) / Salida de línea RCA (Preamplificador)	1 Pair (Left & Right) 2.5 Volts / 1 par (izquierda y derecha) 2.5 voltios
Remote Output (Turn-on Signal) / Salida Remota (Señal de Encendido)	Up to 200mA / Hasta 200mA

Features / Características

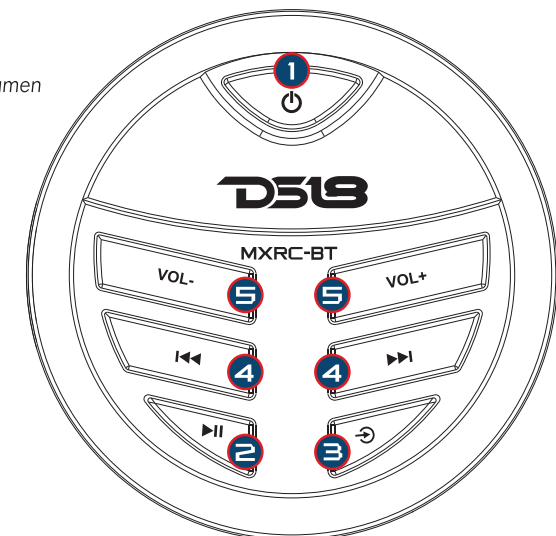
Wireless Connection Range / Rango de Conexión Inalámbrica	up to 35Ft (conditions may vary) / hasta 35 pies (las condiciones pueden variar)
Aux Line Input / Entrada de Línea Auxiliar	Plug 3.5mm
USB Player / Reproductor USB	Up to 32GB / Hasta 32GB
Water Resistance Rating / Clasificación de Resistencia al Agua	IPX5
UV + Salt Resistance / Resistencia a la Sal + UV	YES / Si
Conformal Coating / Revestimiento de Conformación	YES / Si
LED Backlit Push Button / Botón Pulsador con Retroiluminación LED	YES (blue) / Si (Azul)
Buttons Material / Material de los Botones	Rubber / Goma

WE LIKE IT LOUD



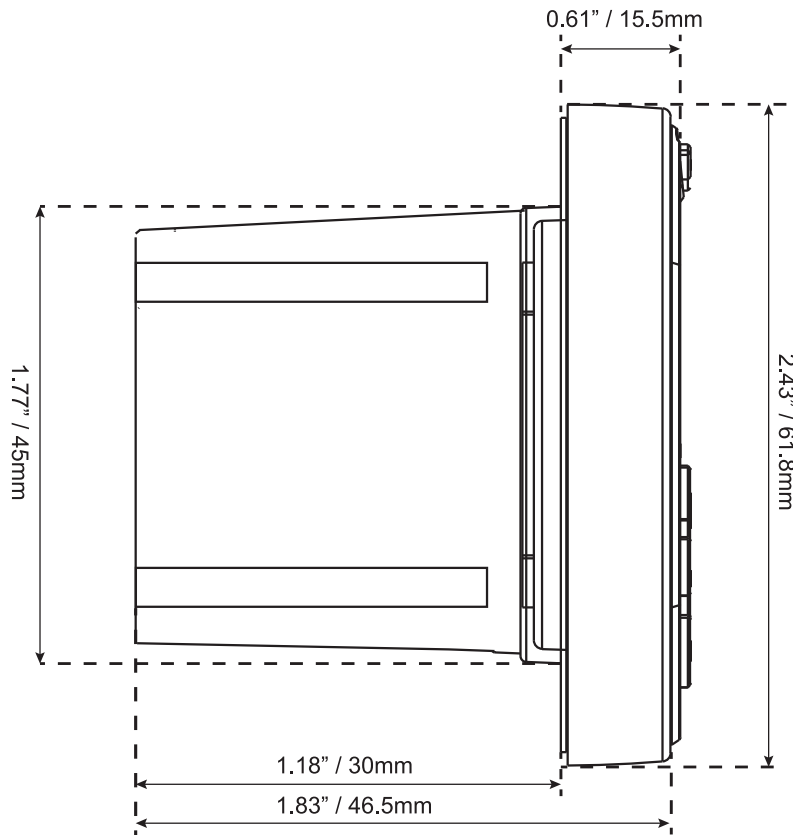
Key Functions / Funciones de los Botones

- 1**
 - Power ON/OFF (Short Press)
 - Encendido / Apagado (pulsación corta)
- 2**
 - USB/BT Mode: PLAY or PAUSE
 - Modo USB / BT: REPRODUCCIÓN o PAUSA
 - AUX Mode: Mute ON/OFF
 - Modo AUX: Silencio ON / OFF
 - RESET (Long Press)
 - RESET (Pulsación Larga)
- 3**
 - Source Select (Short Press)
 - Selección de Fuente (pulsación corta)
- 4**
 - USB/BT Mode: Previous/Next TRACK (Short Press)
 - Modo USB / BT: PISTA anterior / siguiente (pulsación corta)
 - USB/BT Mode: Fast Forward/Rewind (Press and Hold)
 - Modo USB / BT: avance rápido / rebobinado (mantener pulsado)
- 5** **VOL +/-**
 - Adjust Volume Level
 - Ajustar el nivel de volumen

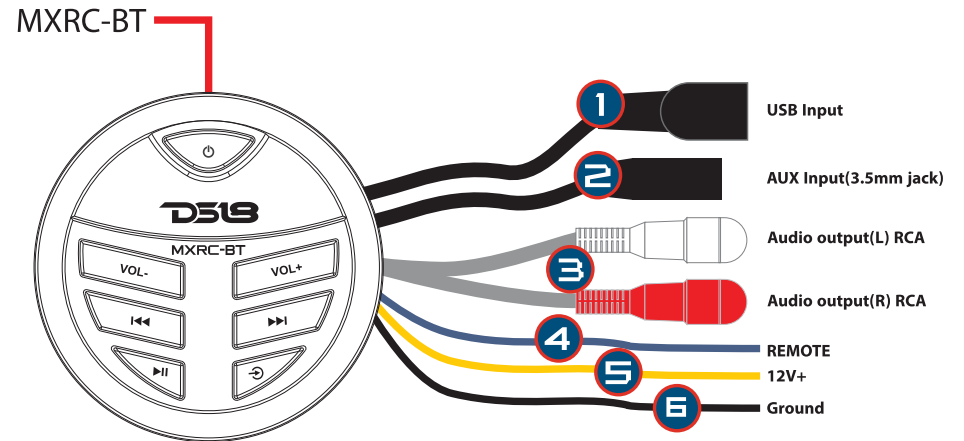


Measurements / Medidas

Overall Diameter / Diámetro Total	2.43" / 61.8 mm
Overall Depth / Profundidad Total	1.83" / 46.5 mm
Mounting Hole Diameter / Diámetro del Orificio de Montaje	1.77" / 45 mm
Mounting Depth / Profundidad de Montaje	1.18" / 30 mm



Wiring Diagram / Diagrama de Cableado



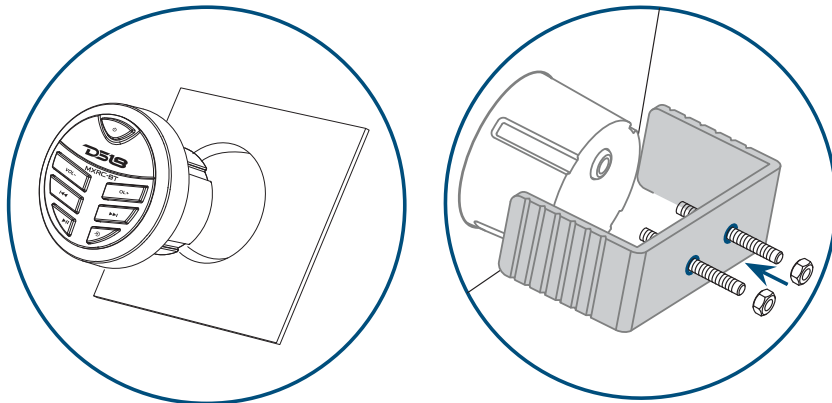
- 1** USB Port / Puerto USB
Connect a USB Drive up to 32GB with MP3/WMA Audio files.
Conecte una unidad USB de hasta 32 GB con archivos de audio MP3 / WMA.
- 2** 3.5mm Jack Audio Input / Entrada de Audio Jack de 3,5 mm
Analog Audio Auxiliary input using a stereo plug wire.
Entrada auxiliar de audio analógico mediante un cable de conexión estéreo.
- 3** RCA Pre-Output / Salida previa RCA
Audio Signal to the external amplifier (White: Left Ch, Red: Right Ch).
Señal de audio al amplificador externo (blanco: canal izquierdo, rojo: canal derecho).
- 4** Blue Wire / Cable Azul
Remote Output, connect this to the external amplifier.
Salida remota, conéctela al amplificador externo.
- 5** Yellow Wire / Cable Amarillo
Power +12V, connect this to an Accessory switch or a Master Switch, you could connect it directly to the battery for continuous operation (you could have a risk of battery discharge in long periods of time).
Alimentación + 12V, conéctelo a un interruptor de accesorios o un interruptor maestro, puede conectarlo directamente a la batería para un funcionamiento continuo (podría correr el riesgo de que la batería se descargue durante largos períodos de tiempo).
- 6** Black Wire / Cable Negro
Negative/Ground, Connect this directly to the Negative post or chassis ground.
Negativo / Tierra, conecte este directamente al polo negativo o tierra del chasis.

MXRC-BT

Installation / Instalación

Once a suitable location has been determined, drill a 45mm (1-3/4) hole and secure your MXRC-BT using the metal mounting bracket. If the bracket needs to be shortened, remove the appropriate number of breakaway segments using a pair of pliers.

Una vez que se haya determinado una ubicación adecuada, taladre un orificio de 45 mm (1-3/4) y fije su MXRC-BT con el soporte de montaje de metal. Si es necesario acortar el soporte, remueva el número apropiado de segmentos separables con un par de alicates.



1. The MXRC-BT should be installed by a professional technician.
2. Please read the instructions and operation of the equipment carefully before installing.
3. Make sure to connect first the other wires before power connection.
4. To avoid short circuit; Please make sure all the exposed wire are insulated.
5. Please secure all the wires after installation.
6. Please make the connection to the headunit accordingly to this manual. Wrong connection may cause severe damage.
7. This player is only for 12V DC electric systems and please make sure your boat belongs to this kind of cathode grounding electrical system.
8. Please connect the wires rightly. Wrong connection will cause malfunction or damage the electrical system.

1. El MXRC-BT debe ser instalado por un técnico profesional.
2. Lea atentamente las instrucciones y el funcionamiento del equipo antes de instalarlo.
3. Asegúrese de conectar primero los otros cables antes de conectar la alimentación.
4. Para evitar cortocircuitos; Asegúrese de que todos los cables expuestos estén aislados.
5. Asegure todos los cables después de la instalación.
6. Realice la conexión a la unidad principal de acuerdo con este manual. Una conexión incorrecta puede causar daños graves.
7. Este reproductor es solo para sistemas eléctricos de 12 V DC y asegúrese de que su barco pertenece a este tipo de sistema eléctrico de puesta a tierra de cátodos.
8. Conecte los cables correctamente. Una conexión incorrecta provocará un mal funcionamiento o dañar el sistema eléctrico.

FCC Statement:

This device complies with part 15 of the FCC Rules. Operation is subject to the following two conditions: (1) This device may not cause harmful interference, and (2) this device must accept any interference received, including interference that may cause undesired operation.

This equipment has been tested and found to comply with the limits for a Class B digital device, pursuant to part 15 of the FCC Rules. These limits are designed to provide reasonable protection against harmful interference in a residential installation. This equipment generates, uses and can radiate radio frequency energy and, if not installed and used in accordance with the instructions, may cause harmful interference to radio communications. However, there is no guarantee that interference will not occur in a particular installation. If this equipment does cause harmful interference to radio or television reception, which can be determined by turning the equipment off and on, the user is encouraged to try to correct the interference by one or more of the following measures:

- Reorient or relocate the receiving antenna.
 - Increase the separation between the equipment and receiver.
 - Connect the equipment into an outlet on a circuit different from that to which the receiver is connected.
 - Consult the dealer or an experienced radio/TV technician for help. Caution: Any changes or modifications not expressly approved by the party responsible for compliance could void the user's authority to operate the equipment.
- This equipment complies with FCC radiation exposure limits set forth for an uncontrolled environment. This transmitter must not be co-located or operating in conjunction with any other antenna or transmitter.
- This equipment should be installed and operated with minimum distance 20cm between the radiator&your body.