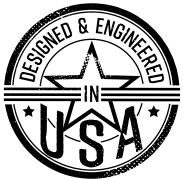
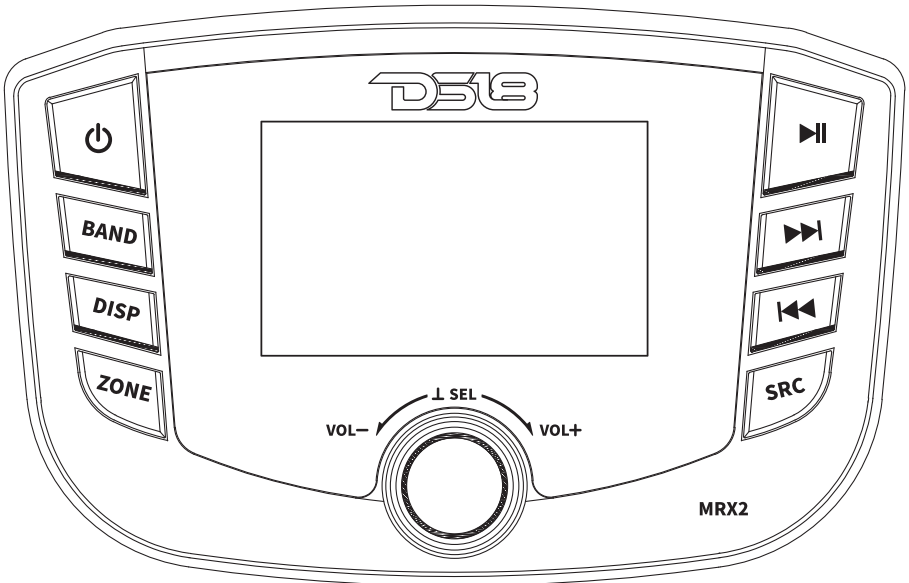


DSL8[®]
HYDRO

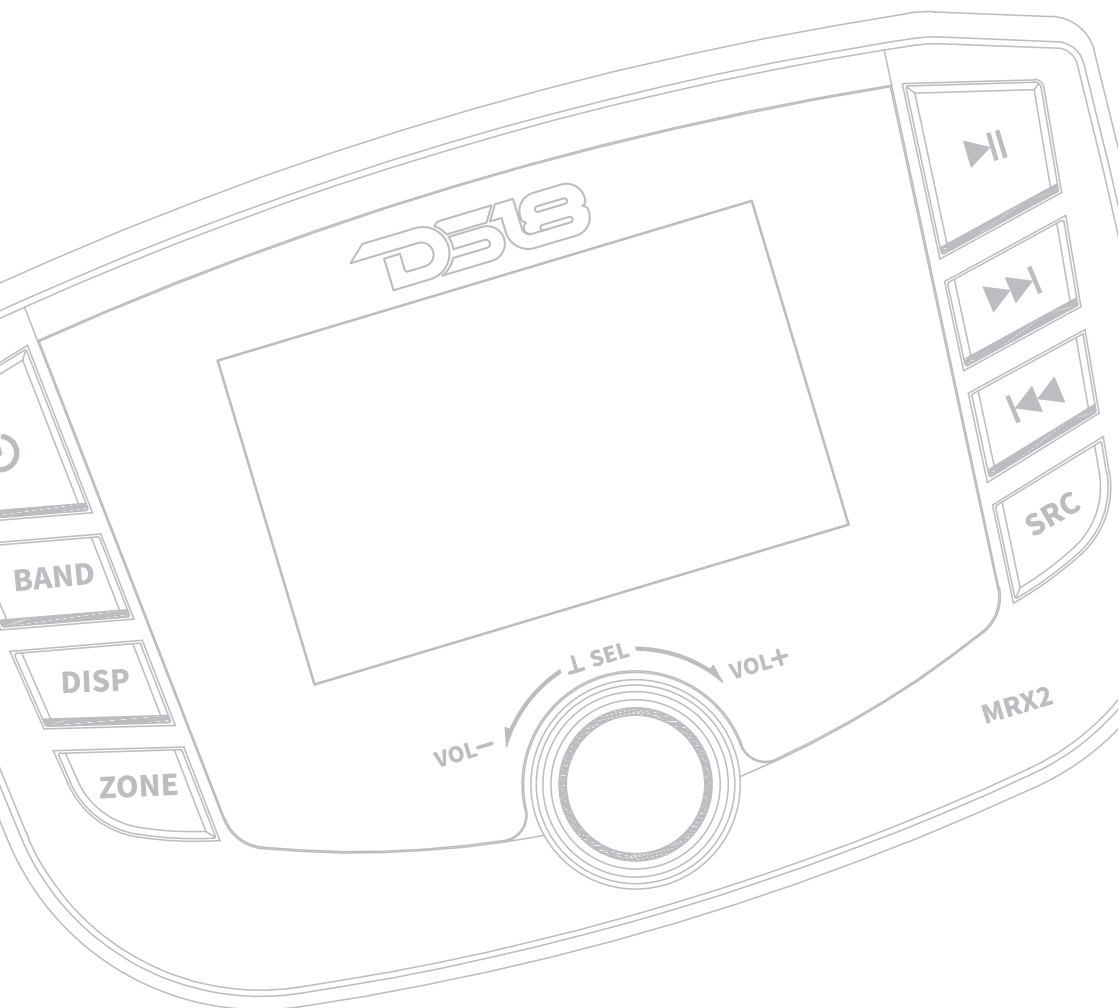
MRX2

MARINE & POWERSPORT HEAD UNIT



MRX2

MARINE & POWERSPORT HEAD UNIT



Please read the instruction manual carefully before operating the unit.

CONTENT

SAFETY INSTRUCTIONS.....	1
SPECIFICATIONS	2
INSTALLATION / MOUNTING	3
WIRING CONNECTION	5
BASIC OPERATION.....	7
FUNCTION SETTING OPERATION.....	9
SETTING	9
RADIO (AM / FM /WB) OPERATION	9
USB OPERATION	9
AUX (AUXILIARY INPUT) OPERATION	10
BLUETOOTH OPERATION	10
TROUBLESHOOTING	11

SAFETY INSTRUCTION

CAUTION

This symbol with "CAUTION" is intended to alert the user to the presence of important instructions. Failure to heed the instructions could result in injury or unit damage.

To prevent injury and damage to the unit, please read and follow the instructions in this manual. If you feel unsure about installing this system yourself, have it installed by a qualified technician.

Before installation, disconnect the battery negative (-) terminal to prevent damage to the unit, fire, and / or possible injury.

FCC COMPLIANCE STATEMENT

This equipment has been tested and found to comply with the limits for a Class B digital device, according to part 15 of the FCC Rules. These limits are designed to provide more reasonable protection against harmful interference in a residential installation.

Operation is subjected to the following two conditions:

(1) This device may not cause harmful interference, and (2) the device must accept any interference received, including interference that may cause undesired operation.

This equipment generates, uses, and can radiate radio frequency energy and, if not installed and used in accordance with the instructions, may cause harmful interference to radio communications. However, there is no guarantee that interference will not occur in a particular installation. If this equipment does cause harmful interference to radio or television reception, which can be determined by turning the equipment off and on, you are encouraged to try to correct the interference by one of the following measures:

1. Reorient or relocate the receiving antenna.
2. Increase the separation between the equipment and receiver.
3. Connect the equipment into an outlet on a circuit different from that to which the receiver is connected.
4. Consult the dealer or an experienced radio/TV technician for help.

SPECIFICATIONS

<p>GENERAL: Operating Voltage: Low Voltage Warning Alert: Waterproof Rating: UV/Salt Protection: Buttons: Screen Panel:</p>	<p>10.5 – 16 Volts YES (< 11V) IPX6 YES Rubber + RGB Backlit (synced with LCM) Gorilla Glass with OCA Full Bonding</p>
<p>DISPLAY: Type: Backlight:</p>	<p>3" Liquid Cristal Module 7 Colors Selectable (Auto / White / Red / Blue / Green / Purple / Cyan / Yellow)</p>
<p>AUDIO: Power Output: RMS: Max: Min Load: Frequency Response: RCA Pre-Out Voltage: Output Impedance: Equalizer: Presets: Subwoofer Control: Audio Zones: Independent Zone Control: Audio Input:</p>	<p>4 x 15W @ 4ohm 4 x 25W @ 2ohm 4 x 50W @ 2ohm 2 ohm Stable per Channel 20Hz to 20Khz 4 Volts 500ohm 2 Bands (Bass 80Hz, Treble 12Khz) YES (S-Bass / Vocal / Powerful / clarity) Level (-10 to +10) 2 Zones (Stereo + Subwoofer each) YES (Level/Tone) L+R RCA (Aux Input)</p>
<p>TUNER: FM Frequency Range: AM Frequency Range: Weather Band: NOAA Weather Band: Tuner Presets: Radio Data System:</p>	<p>87.5 – 107.9 MHz 530 – 1710 KHz 162.40 – 162.55 MHz YES Compatible 18 FM / 12 AM / 6 WB YES (AF / TA / NEWS) Selectable</p>
<p>CONNECTIVITY: Bluetooth Version: Audio Streaming: USB Compatibility: USB Capacity: USB Charge Capacity: Audio Files Compatibility: Remote Control:</p>	<p>5.0 + EDR A2DP v2.0 64 Gb Max 2.1Amp MP3, WMA Wired 3.5mm Jack Input (Compatible with MXRC)</p>

INSTALLATION/ MOUNTING

ACCESSORIES

1. Main Unit
2. Power/Speaker Harness
3. Screws X 2PCS
4. Hex Head Screws X 2PCS
5. U Bracket
6. Instruction Manual

CAUTION

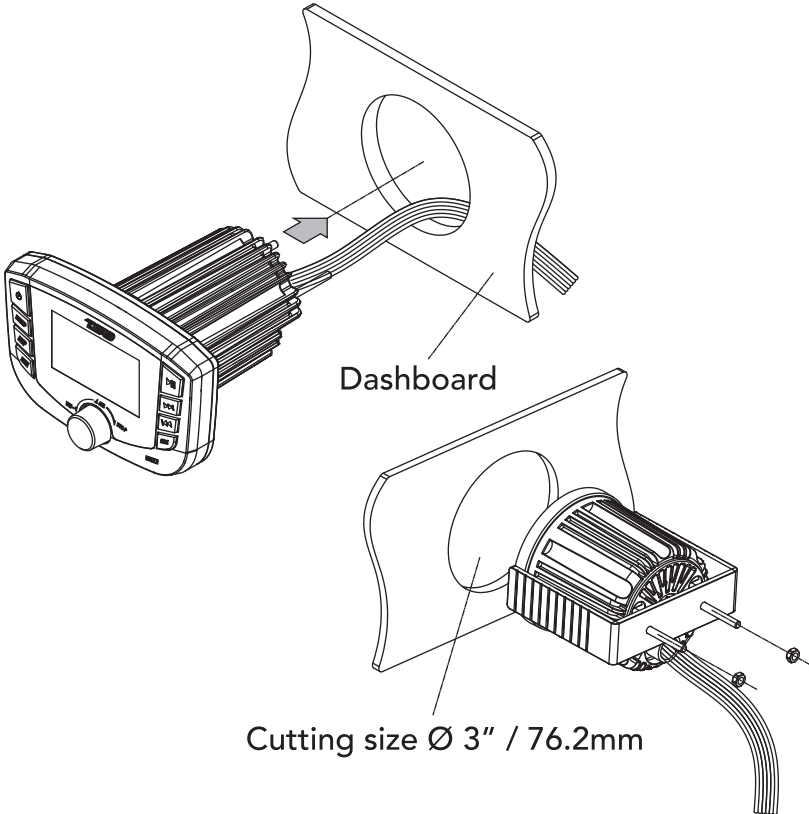
1. This player should be installed by a professional technician.
2. Please read the instruction and operation of the equipment carefully before installing.
3. Make sure to connect other wires before power connection.
4. To avoid a short circuit. Please make sure all the exposed wires are insulating.
5. Please fix all the wires after installation.
6. Please make the connection to the player accordingly to this instruction manual. A wrong connection may cause damage.
7. This player only fits for a 12V DC device and please make sure your boat belongs to this kind of cathode grounding electrical system.
8. Please connect the wires rightly. Wrong connection will cause malfunction or damage the electrical system.

MOUNTING (USING U BRACKET)

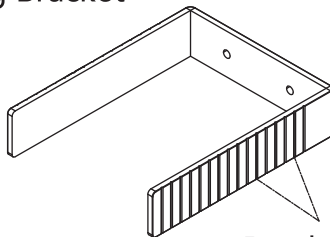
To mount the unit, you will need to find a flat surface with adequate clearance behind it that provides enough clearance for the unit and all its necessary wiring.

1. Once you have determined a mounting location, you will need to cut a circular hole 3" {77mm} in diameter.

2. After the hole is cut slide the unit and wiring through the hole.
3. Take the U bracket and slide over the two studs on the back of the unit. Tighten down with supplied nuts.
4. Plug in all wiring harnesses and cables. Refer to the wiring diagram for wire harness connection types.

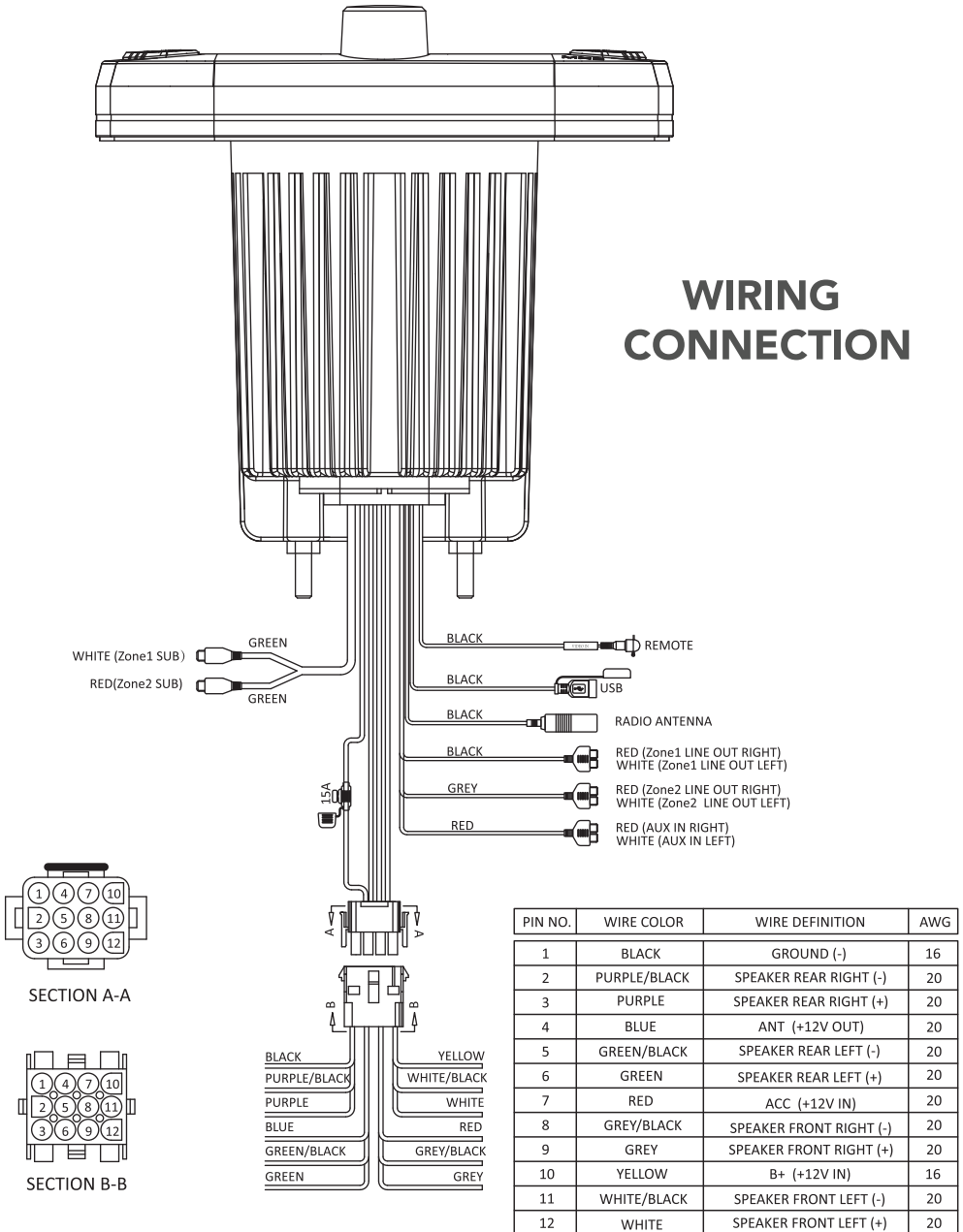


Mounting Bracket



Break Lines

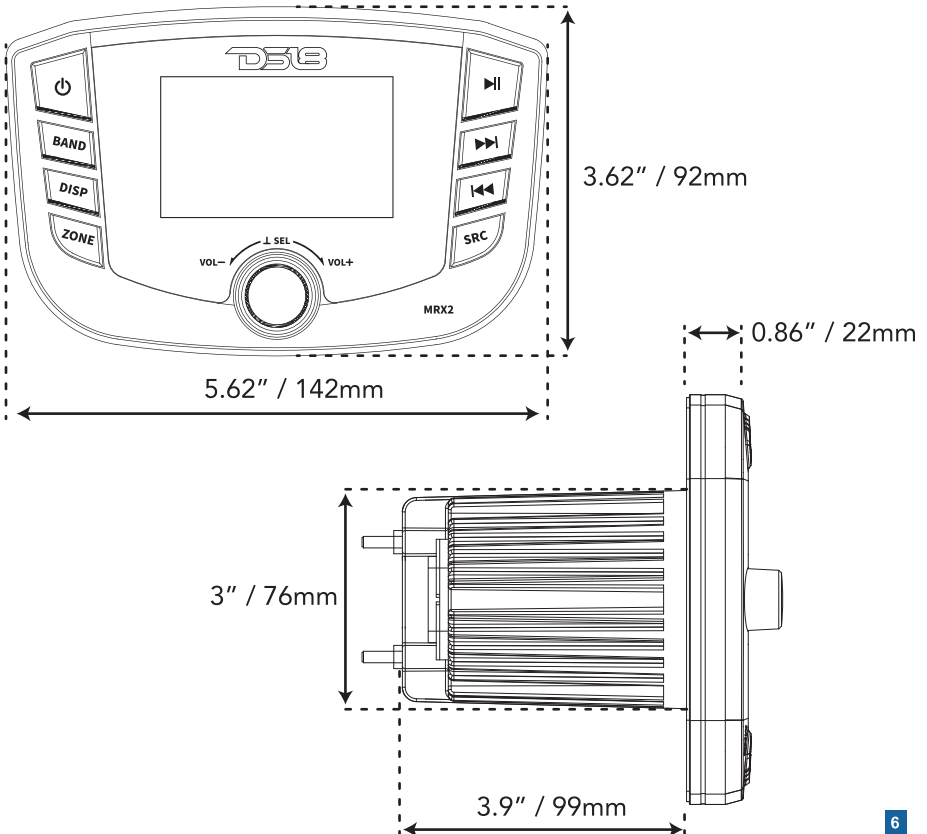
WIRING CONNECTION



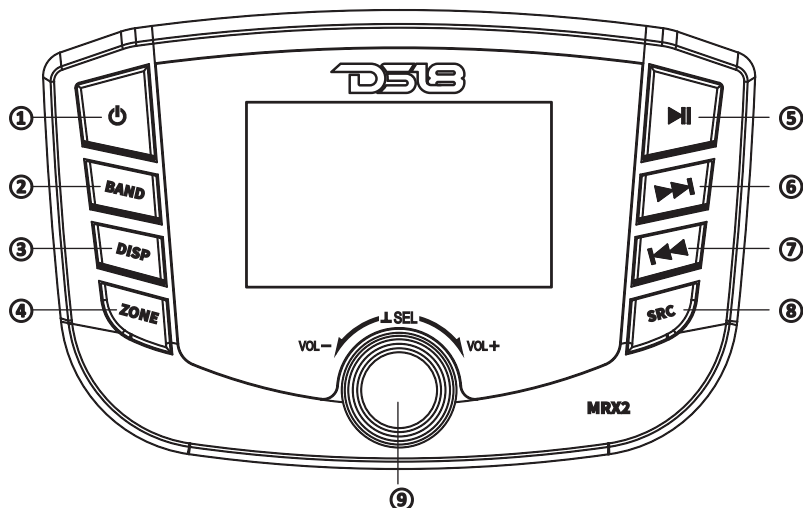
PIN NO.	WIRE COLOR	WIRE DEFINITION	AWG
1	BLACK	GROUND (-)	16
2	PURPLE/BLACK	SPEAKER REAR RIGHT (-)	20
3	PURPLE	SPEAKER REAR RIGHT (+)	20
4	BLUE	ANT (+12V OUT)	20
5	GREEN/BLACK	SPEAKER REAR LEFT (-)	20
6	GREEN	SPEAKER REAR LEFT (+)	20
7	RED	ACC (+12V IN)	20
8	GREY/BLACK	SPEAKER FRONT RIGHT (-)	20
9	GREY	SPEAKER FRONT RIGHT (+)	20
10	YELLOW	B+ (+12V IN)	16
11	WHITE/BLACK	SPEAKER FRONT LEFT (-)	20
12	WHITE	SPEAKER FRONT LEFT (+)	20

⚠ CAUTION


1. This player can only be used by the 12V DC cathode grounding electrical system.
2. Do not connect the battery terminals until the player is fully assembled.
3. Please make sure to connect the yellow wire to the positive of the battery(+).
4. When change the fuse. Please make sure the specifications are same.
5. Using good quality 4-2 ohm speaker can enhance the audio performance of the system.

MEASUREMENTS

BASIC OPERATION



1) POWER / button

Press  button to turn on. Press the key again to turn off the unit.

2) BAND / button

Press **BAND** button to FM1/FM2/FM3/AM1/AM2/WB. Press and hold **BAND** button for 3 seconds to auto store the stations.


3) DISP / button

Shortly press **DISP** button to show the clock, then press and hold **DISP** button again to set time, Rotate Vol to set hour time display, press **DISP** key again to turn to minute time display, rotate Vol to set minute time display. After setting the time, it will automatically save and exit within 5 seconds.



4) ZONE / button

Press **ZONE** button to ZONE1 / ZONE2 / ZONE1+ZONE2.



5) PLAY / PAUSE button

In RADIO/AUX source press  button for MUTE on/off function. In USB/BT source press  button for Pause / Play function.

6) Seek UP button

In RADIO source, shortly press  button to Seek up, press and hold the button to show next station. In USB/BT source press  button to next song / file, press and hold the button to fast forward play.

7) Seek DOWN button

In RADIO source, shortly press  button to Seek down, press and hold the button to show back to the previous station. In USB/BT source press  button to previous song / file, and press and hold the button to play back quickly.

8) SRC button

Press SRC button to Mode change Radio / BT / USB / AUX-IN.

9) VOL / SEL button

Rotate the Vol to adjust the volume.

SEL BUTTON FUNCTIONS:

1. IN ZONE1 or ZONE2, AUX/BT mode:

Shortly press **SEL** button to BAS / TRE / SUB / EQ (rotate the **VOL** to select FLAT / OFF, S-BASS, VOCAL, POWERFUL, CLARITY) / LOUD (ON / OFF) / COLOR LIGHT (rotate the **VOL** to select AUTO, WHITE, PURP, CYAN, YELLOW, RED, GREEN) / BEEP (OFF/ON) one by one.

Press and hold **SEL** button to TA (OFF / ON) / AF (OFF / ON) / NEWS (OFF / ON) one by one.

2. IN ZONE1 or ZONE2, RADIO mode:

Shortly press **SEL** button to BAS / TRE / SUB / EQ (rotate the **VOL** to select FLAT / OFF, S-BASS, VOCAL, POWERFUL, CLARITY) / LOUD (ON/OFF) / COLOR LIGHT (rotate the **VOL** to select AUTO, WHITE, PURP, CYAN, YELLOW, RED, GREEN) / BEEP (ON/OFF) / STEREO (MONO) / LOCAL (DX) one by one.

Press and hold **SEL** button to TA (OFF / ON) / AF (OFF / ON) / NEWS (OFF / ON) one by one.

3. IN ZONE1 or ZONE2, USB mode:

Shortly press **SEL** button to BAS / TRE / SUB / EQ (rotate the **VOL** to select FLAT / OFF, S-BASS, VOCAL, POWERFUL, CLARITY) / LOUD (ON / OFF) / COLOR LIGHT (rotate the **VOL** to select AUTO, WHITE, PURP, CYAN, YELLOW, RED, GREEN) / BEEP (OFF / ON) one by one.

Press and hold **SEL** button to RDM(then rotate the **VOL** to select OFF/FOLD/ALL) / RPT(then rotate the VOL to select ONE / FOLD / ALL) / TA (OFF / ON) / A F (OFF / ON) / NEWS (OFF / ON) one by one.

4. IN ZONE1 + ZONE2, AUX/BT mode:

Shortly press **SEL** button to COLOR LIGHT (rotate the **VOL** to select AUTO, WHITE, PURP, CYAN, YELLOW, RED, GREEN) / BEEP (OFF/ON) one by one.

Press and hold **SEL** button to TA (OFF / ON) / AF (OFF / ON) / NEWS (OFF / ON) one by one.

5. IN ZONE1 + ZONE2, RADIO mode:

Shortly press **SEL** button to COLOR LIGHT (rotate the **VOL** to select AUTO, WHITE, PURP, CYAN, YELLOW, RED, GREEN) / BEEP (OFF / ON) / STEREO (MONO) / LOCAL (DX) one by one.

Press and hold **SEL** button to TA (OFF / ON) / AF (OFF / ON) / NEWS (OFF / ON) one by one.

6. IN ZONE1 + ZONE2, USB mode:

Shortly press **SEL** button to COLOR LIGHT (rotate the **VOL** to select AUTO, WHITE, PURP, CYAN, YELLOW, RED, GREEN) / BEEP (OFF / ON).

Press and hold **SEL** button to RDM (then rotate the **VOL** to select OF F/ FOLD / ALL) / RPT (then rotate the **VOL** to select ONE / FOLD / ALL) / TA (OFF / ON) / AF (OFF/ON) / NEWS (OFF / ON) one by one.

FUNCTION SETTING / OPERATION

SETTINGS

DX / LOC (Distance / Local):

LOC: Receive the strong signal station only in seek station.

DX: Receive strong and weak signal station in seek station.

STEREO / MONO:

STEREO: Receive FM stereo signal.

MONO: Change FM stereo to monophonic. It can reduce the noise when the signal is weak.

RESET THE UNIT

Press and hold **▶||** button for 5 seconds to reset the unit.

RADIO (AM / FM / WB) OPERATION

Press **SRC** button to select the Radio source option (FM / AM / WB).

To auto seek station, press and hold **BAND** button for 3 seconds to auto store radio station.

To manual seek station, shortly press **▶▶ / ◀◀** button to Seek up/down radio station, press and hold the **▶▶ / ◀◀** button to next / previous station.

USB OPERATION

After your device is connected to the source unit, this feature allows you to control the playback of your device directly from the unit. Press the **SRC** button to select the USB source option.

To play or pause a song, short press the **PLAY/PAUSE** button. To skip a track forward, short press the **FWD** button. To skip a track backward, short press the **REV** button.

To access USB specific settings, Press and hold the **SEL** button for the list of settings (Random play>Repeat). Use the encoder to select the option to change.

AUX (AUXILIARITY INPUT) OPERATION

After your device is plugged into the source unit, this feature allows you to play music from your device. Press the **SRC** button to select the AUX source option and use your plugged-in device to control song / track selection, PLAY / PAUSE, and track skip FWD / REV.

BLUETOOTH OPERATION

After your device is paired to the source unit, this feature allows you to control the playback of your device directly from the unit. Press the **SRC** button to select the BLUETOOTH source option. Then searching and selecting the Bluetooth device "**MRX2**" from your phone and input password "**0000**" if it needs. When paired successfully, the BT symbol will be shown on LCD.

To play or pause a song, short press the **PLAY / PAUSE** button.

To skip a track forward, short press the **FWD** button. To skip a track backward, short press the **REV** button.

MRX2

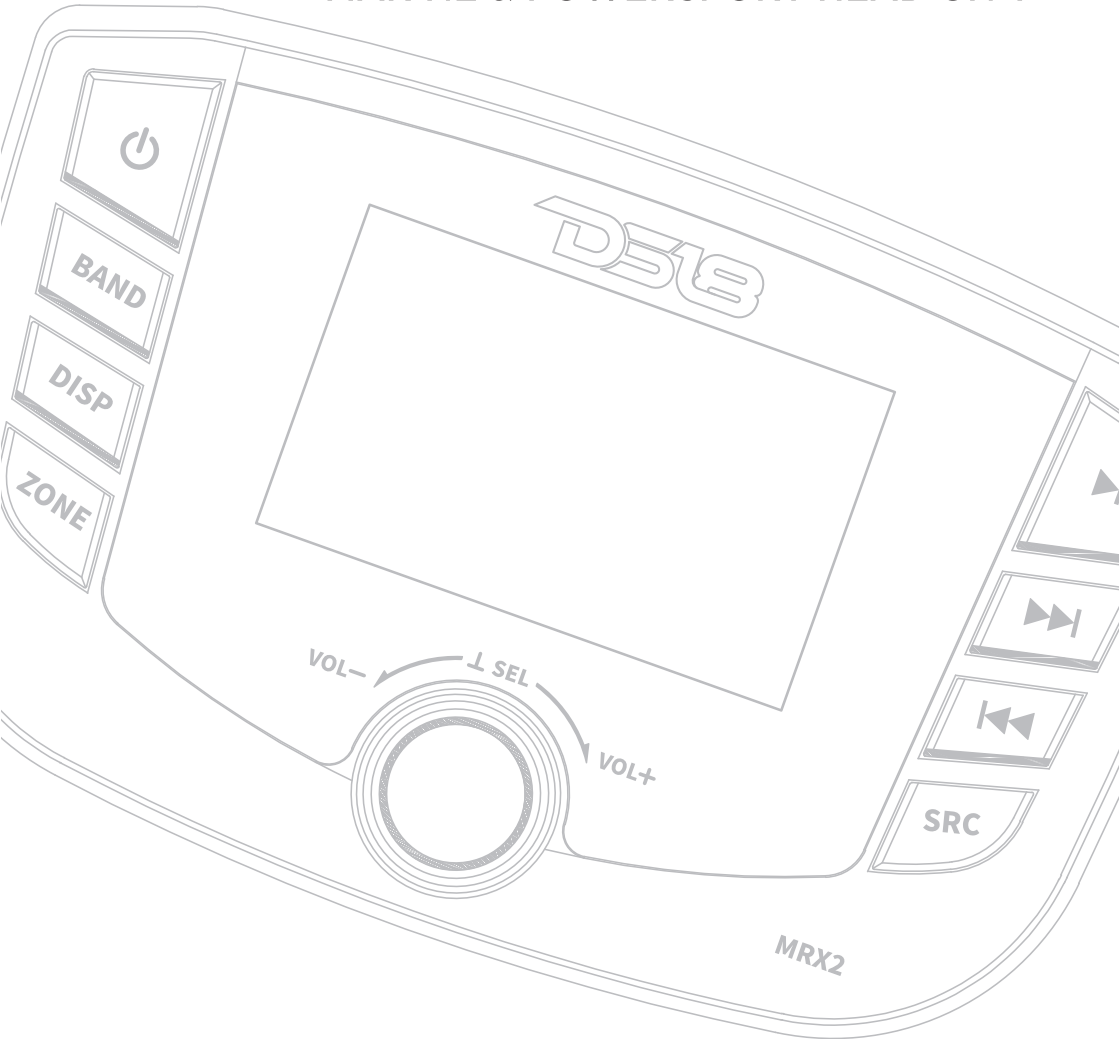
TROUBLESHOOTING

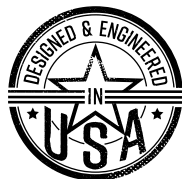
TROUBLE	CAUSE	SOLUTION
Basic		
Unit does not turn on	Blown fuse	Check fuse of the unit, replace with correct rating.
	Vehicle's ignition is off	If connected following the instructions, the unit will not operate with ignition off
	Voltage applied to Red wire is not between 10.5 & 16 volts or there is no voltage present.	Check battery, connections and fuses and repair or replace as necessary. If voltage is above+ 16 volts, have the electrical system inspected by an authorized service center.
	Unit is not properly grounded.	Check wiring and repair as necessary.
Radio Tuner		
Tuner fails to tune any stations	No antenna or disconnected or open connection in cable.	Check all connections and repair as necessary.
Unable to tune stations in seek mode	You are in a weak signal area.	Make sure the tuner LOC mode is off.
USB Devices		
USB device cannot be inserted	The USB device has been inserted in the wrong direction.	Reversing the connection direction of the USB device, try reinserting.
	The USB device connector is broken.	Replace with a new USB device.
USB device is not recognized	The USB device is damaged.	Disconnect USB device and reconnect. If the device is still not recognized, try replacing with a different USB device.
	Connectors are loose.	
No Sound heard with the display "No File" shown	No MP3 / WMA files are stored on the USB device.	Store these files properly on the USB device.
Sound skip or is noisy	MP3 / WMA files are not created properly.	Use MP3/WMA files that are encoded correctly.
MP3 is not playing back	Writing error occurred. The MP3 format is not compatible.	Make sure MP3 has been written in a supported format.
Bluetooth		
Cannot pair Bluetooth	The Bluetooth function of the device is not enabled.	Refer to the user manual of the device for how to enable the Bluetooth function.
The audio quality is poor after connection with a Bluetooth enabled device	The Bluetooth reception is poor.	Move the device closer to the audio system or remove any obstacle between the device and the system antenna.

D518[®]

MRX2

MARINE & POWERSPORT HEAD UNIT





FOR MORE INFORMATION
PLEASE VISIT
DS18.COM

WE LIKE IT LOUD



DS18[®]



FCC ID: 2AYOQ-MRX2

This device complies with part 15 of the FCC Rules. Operation is subject to the following two conditions: (1) this device may not cause harmful interference, and (2) this device must accept any interference received, including interference that may cause undesired operation.