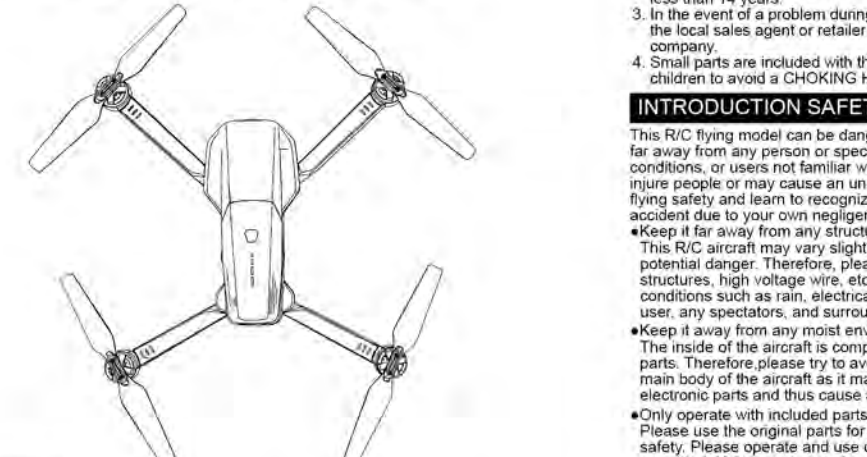


# AGE 14+

## GPS DRONE USER MANUAL



**WARNING:**

- When taking off make sure that the operator is 3 meters away from the drone, and keep far away from any crowds and property.
- The players must operate the drone as required by the instructions. Pay attention to the flight safety and understand the accident liability caused by your own negligence!
- When outdoor before taking off please confirm that the GPS calibration is completed and the GPS signal number is more than 10NS.
- This drone provides two flight modes: indoor mode and GPS mode. Before flying, please select the appropriate mode according to the environment.

Please read this manual carefully before operation and keep it properly for future reference.

# AGE 14+

## GPS无人机 飞控说明书



**重要提示:**

- 起飞无人机时，确保操作者离飞机3米之外，飞行时务必远离人群及财物；请勿操作飞行器务必阅读说明书的要求操作，注意飞行安全，必需解除自身疏忽所造成意外责任！
- 户外飞行时，起飞前请确保GPS校准成功且卫星星数大于10NS。
- 本产品内置两种模式为室内GPS模式和两种模式手动切换，起飞前请根据飞行环境选择相应的飞行模式。

请在飞行前仔细阅读说明书并妥善保管以便日后参考。

# KNOW YOUR DRONE

Thank you for purchasing our GPS Drone. Please read all instructions and warnings carefully before operating. Please also keep this instruction manual for future reference and maintenance.

**IMPORTANT**

- This product is not a toy. It is a precision device integrating machinery and electronics with air mechanics and high frequency transmission. It requires correct assembly and debugging to avoid any accident. The user should operate and control the product in a safe manner. In case of incorrect operation, it may cause serious injury or damage property. It can also be lost due to incorrect operation.
- This product is suitable for those who are experiencing operating UAV and age no less than 14 years old.
- In the event of a problem during using, operating, or maintenance, please contact the local sales agent or retailer or keep in touch with the responsible staff of our company.

**Small parts are included with this product. Please place it beyond the reach of the children to avoid a CHOKING HAZARD or parts being mistakenly swallowed.**

**INTRODUCTION SAFETY PRECAUTIONS**

This RC flying model can be dangerous when in use. Please make sure you keep it far away from any person or property when flying. In correct installation, poor conditions, or users not familiar with operation may cause damage to the aircraft or injure people or may cause an unexpected accident. Please pay close attention to flying safety and learn to recognize more dangerous conditions which may cause an accident due to your own negligence.

The inside of the aircraft is composed of many precision electronic and mechanical parts. Therefore please try to avoid any moisture or water content from entering the aircraft as it may cause a breakdown of the mechanical and electronic parts and thus cause an accident.

Only operate with included parts for intended use. Please use the original parts for any re-assembly or maintenance to ensure flying safety. Please operate and use only under the guidance of a more experienced user. Do not operate under the influence of drugs or alcohol. Do not use for illegal purpose or use beyond the scope of which your local laws and regulations have stipulated.

Avoid controlling it independently. New users may have certain difficulties during the early stages of learning to operate this aircraft. Please try to avoid operating it alone until you are confident, always operate this aircraft under the guidance of a more experienced user.

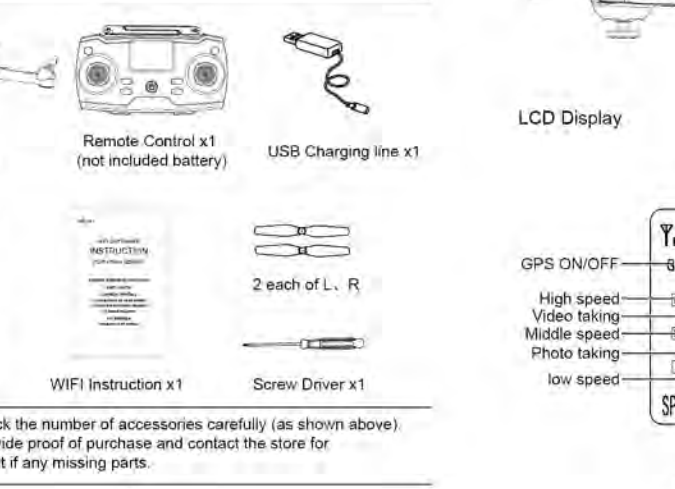
Do not operate under the influence of drugs or alcohol. Do not use for illegal purpose or use beyond the scope of which your local laws and regulations have stipulated.

Please keep a safe distance from aircraft when using low speed. When the drone is flying please keep the drone far from the operator and any surrounding persons or objects so as not to cause danger or damage.

The RC aircraft is composed of material such as metal, fiber, plastic, electronics, etc. Therefore, please keep it away from any heat source and avoid prolonged exposure to direct sunlight. Excessive heat exposure can cause distortion and damage.

1. Drone top cover
2. Drone bottom cover
3. Propeller
4. Arms
5. Motor
6. Lithium battery
7. Legs
8. Bottom camera
9. Main camera/Gimbal cover
10. Switch
11. Memory card slot
12. 11. Memory card slot

### ACCESSORIES



1 2 3

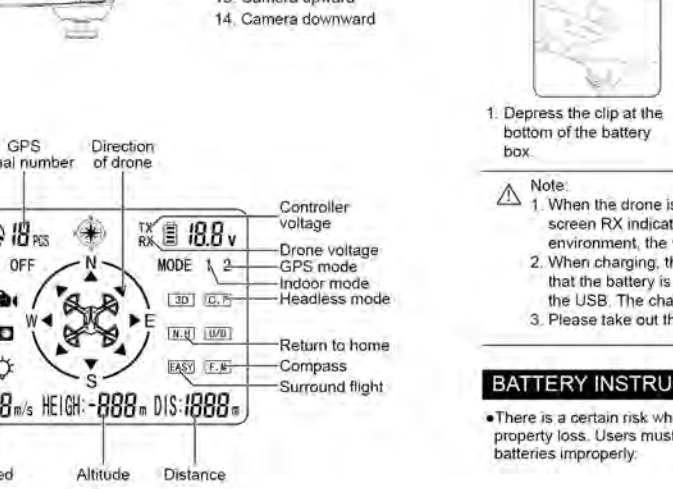
# KNOW YOUR REMOTE CONTROL

Structures of remote control

1. Surround flight/ GPS on/off
2. Left joystick/3 Speeds mode
3. Headless mode
4. Start (unlock)
5. Antenna
6. Compass
7. LCD display
8. Right joystick
9. One key ascend
10. Photo taking
11. Power switch
12. Holder for phone
13. Camera up/down
14. Camera downward

1. Drone top cover
2. Drone bottom cover
3. Propeller
4. Arms
5. Motor
6. Lithium battery
7. Legs
8. Bottom camera
9. Main camera/Gimbal cover
10. Switch
11. Memory card slot
12. 11. Memory card slot

### ACCESSORIES



1 2 3

# LITHIUM BATTERY INSTRUCTION

**Remote control battery installation**

Open the battery cover and insert the 3 AA batteries correctly according to the electrode instructions. (Batteries not included)

**Note!** When the remote control is in low power, there is a DIDD sound. You need to change the battery. Meanwhile, the LCD screen TX indicates the voltage is less than 3.5V. (Depending on the environment, the value will vary.)

**Battery charging for drone**

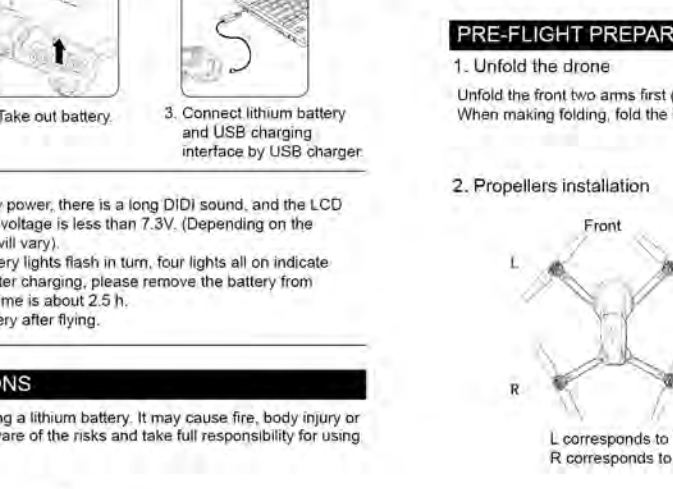
1. Make sure the battery is loaded correctly according to the polarity indications on the battery compartment.
2. Please do not mix old and new batteries together.
3. Please do not mix different types of batteries together.

**Battery recycling**

Do not dispose the battery as daily rubbish. Please familiarize yourself with the local garbage disposal method and dispose it according to the special requirement.

1. Surround flight/ GPS on/off
2. Left joystick/3 Speeds mode
3. Headless mode
4. Start (unlock)
5. Antenna
6. Compass
7. LCD display
8. Right joystick
9. One key ascend
10. Photo taking
11. Power switch
12. Holder for phone
13. Camera up/down
14. Camera downward

### ACCESSORIES



1 2 3

# PRE-FLIGHT PREPARATION

**1. Unfold the drone**

Unfold the front two arms first (Near the camera) then extend the back two arms. When making folding, fold the back arms first, then the front.

**2. Propellers installation**

Place the drone on a level surface, depress the switch for 3 seconds and switch on it, the LED lights flash.

Then switch on the controller, the front lights on the drone turn to solid, the pairing between controller and drone is successful automatically.

The drone defaults to the GPS mode. In this mode, the drone can be operated only after the satellite searching (GPS calibration) is completed.

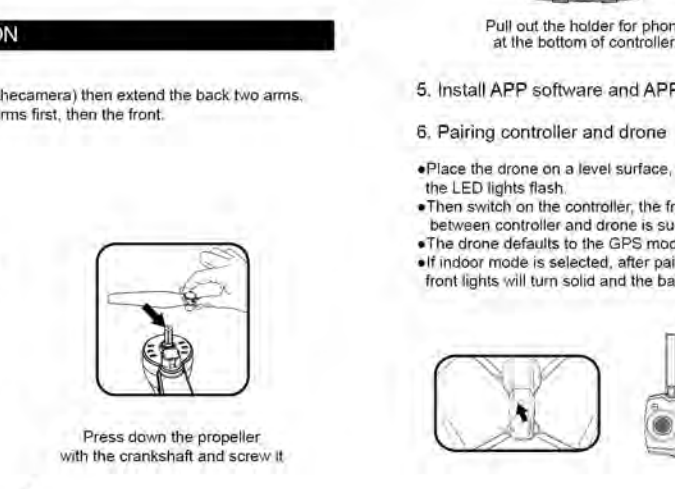
Under indoor and weak GPS signal environment, press the key indoor mode to control the drone.

In the indoor mode, the drone's front lights will turn to solid and the back will keep flashing. The drone will not provide the GPS functions.

Flight mode can only be selected before take-off. After taking off, it cannot be switched.

1. Surround flight/ GPS on/off
2. Left joystick/3 Speeds mode
3. Headless mode
4. Start (unlock)
5. Antenna
6. Compass
7. LCD display
8. Right joystick
9. One key ascend
10. Photo taking
11. Power switch
12. Holder for phone
13. Camera up/down
14. Camera downward

### ACCESSORIES



1 2 3

# MODE SWITCHING

The drone provides two flight modes: Indoor mode (LCD screen shows GPS OFF and mode 1) and GPS mode (LCD screen shows GPS ON and mode 2). Before take off, the corresponding flight mode can be selected according to the flight environment.

The drone defaults to the GPS mode. In this mode, the drone can be operated only after the satellite searching (GPS calibration) is completed.

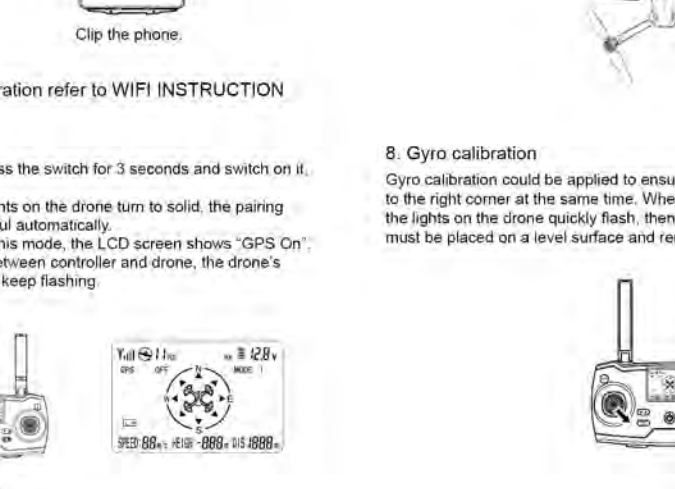
Under indoor and weak GPS signal environment, press the key indoor mode to control the drone.

In the indoor mode, the drone's front lights will turn to solid and the back will keep flashing. The drone will not provide the GPS functions.

Flight mode can only be selected before take-off. After taking off, it cannot be switched.

1. Surround flight/ GPS on/off
2. Left joystick/3 Speeds mode
3. Headless mode
4. Start (unlock)
5. Antenna
6. Compass
7. LCD display
8. Right joystick
9. One key ascend
10. Photo taking
11. Power switch
12. Holder for phone
13. Camera up/down
14. Camera downward

### ACCESSORIES



1 2 3

# COMPASS (magnetometer) calibration

After Pairing, you need to do compass calibration by two steps, press the compass key, the drone lights begin to flash quickly.

Keep the drone level and stick it up about 1M height, then rotate 3 circles, there is a D sound and backlights on drone will turn to solid.

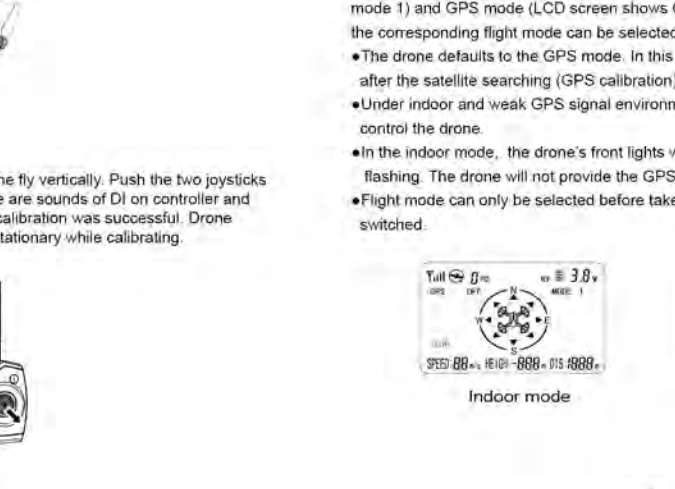
Compass (magnetometer) calibration

After Pairing, you need to do compass calibration by two steps, press the compass key, the drone lights begin to flash quickly.

Keep the drone level and stick it up about 1M height, then rotate 3 circles, there is a D sound and backlights on drone will turn to solid.

1. Surround flight/ GPS on/off
2. Left joystick/3 Speeds mode
3. Headless mode
4. Start (unlock)
5. Antenna
6. Compass
7. LCD display
8. Right joystick
9. One key ascend
10. Photo taking
11. Power switch
12. Holder for phone
13. Camera up/down
14. Camera downward

### ACCESSORIES



1 2 3

# GPS calibration (Satellite searching)

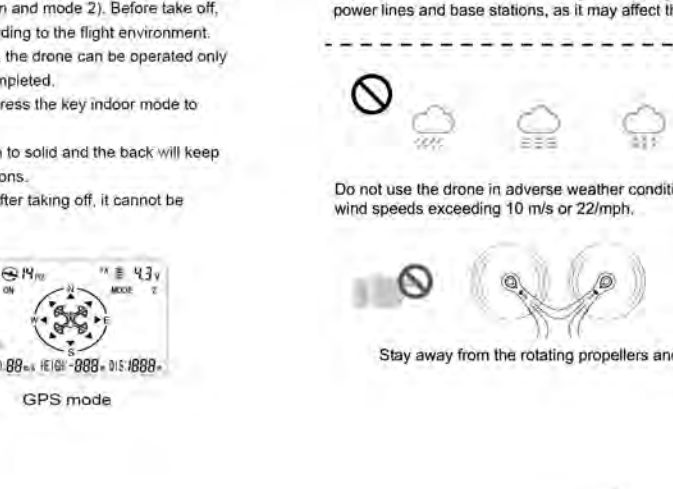
After Compass calibration, set the drone back down to level surface, back lights start flashing, the drone is finalizing its GPS calibration. Once the controller makes a long D sound and all lights have switched to solid (the GPS signal number is more than 10NS), after waiting for 2 minutes, the drone is ready to fly. LCD screen displays 'GPS ON' and 'MODE 2'.

Note:

- In GPS mode, the drone can't be started in a weak GPS signal environment or the GPS calibration is not finished.
- After succeeding GPS calibration, wait for 2 minutes to take off. RETURN TO HOME will be more accurate.

1. Surround flight/ GPS on/off
2. Left joystick/3 Speeds mode
3. Headless mode
4. Start (unlock)
5. Antenna
6. Compass
7. LCD display
8. Right joystick
9. One key ascend
10. Photo taking
11. Power switch
12. Holder for phone
13. Camera up/down
14. Camera downward

### ACCESSORIES



1 2 3

# FLY SAFE

Fly in open areas Strong GPS Maintain line of sight Fly below 150M

Avoid flying over or near obstacles, crowds, high over voltage power lines, trees, airport or bodies of water. Do not fly near strong electromagnetic sources, such as power lines and base stations, as it may affect the onboard compass.

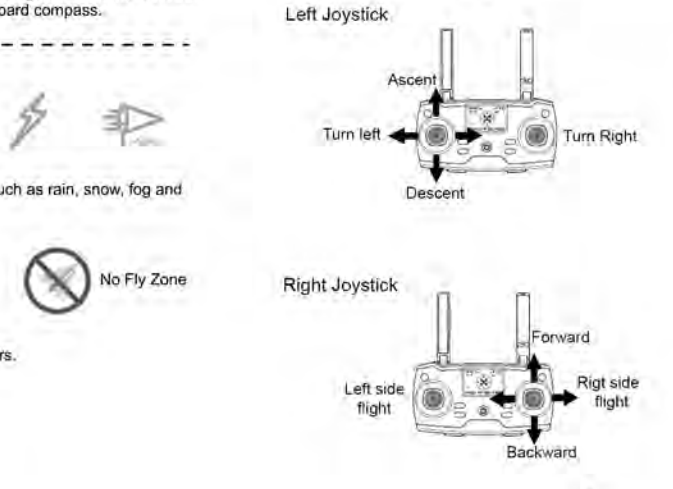
Do not use the drone in adverse weather conditions, such as rain, snow, fog and wind speeds exceeding 10 m/s or 22mph.

Stay away from the rotating propellers and motors.

No Fly Zone

1. Surround flight/ GPS on/off
2. Left joystick/3 Speeds mode
3. Headless mode
4. Start (unlock)
5. Antenna
6. Compass
7. LCD display
8. Right joystick
9. One key ascend
10. Photo taking
11. Power switch
12. Holder for phone
13. Camera up/down
14. Camera downward

### ACCESSORIES



1 2 3

# START YOUR FLIGHT

**1. Take off and landing**

Take off: After compass calibration and GPS calibration, press the key 'start' to unlock the drone and push forward the left joystick to realize drone take-off, or just press one key ascend to fly.

Landing: Pull down left joystick to realize drone descending or depress 3 seconds one key descend to land the drone.

**2. Basic flight**

The left joystick controls the flying altitude and direction change and the right joystick is to control the directions flight.

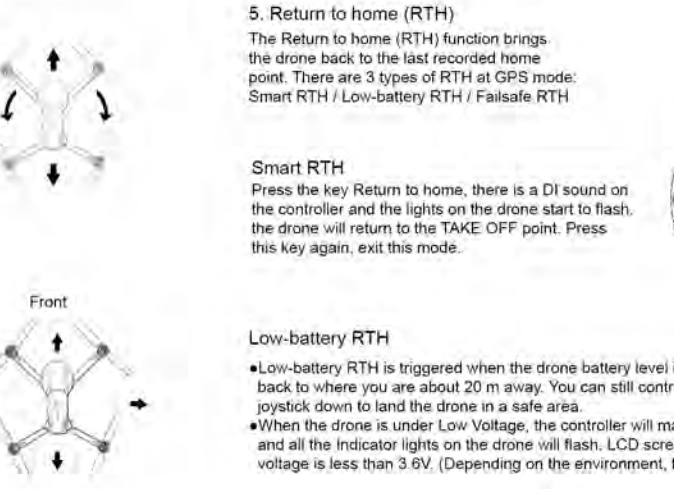
Left Joystick

Right Joystick

Ascend, Turn left, Turn Right, Descent, Forward, Right side, Backward, Left side, Left flight, Right flight

1. Surround flight/ GPS on/off
2. Left joystick/3 Speeds mode
3. Headless mode
4. Start (unlock)
5. Antenna
6. Compass
7. LCD display
8. Right joystick
9. One key ascend
10. Photo taking
11. Power switch
12. Holder for phone
13. Camera up/down
14. Camera downward

### ACCESSORIES



1 2 3

# 3. Set 3 speeds mode

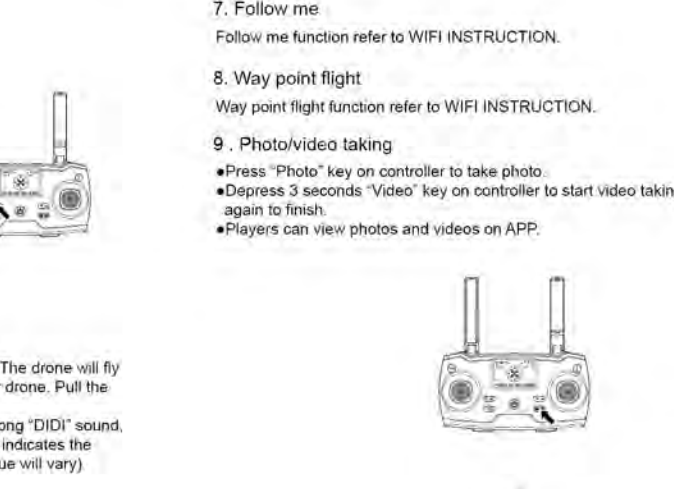
Press down 3 speed mode button (Left joystick), you can hear corresponding sounds, the drone is set 3 speed mode.

Headless mode

Depress 3 seconds the 'Headless mode' key, the controller makes sounds DIDI and back lights on drone start to flash, drone is now in Headless mode, this will lock the drone flying direction, that means no matter which direction the drone will fly, it always remembers the first set direction. Pressing 'Headless mode' for 3 seconds again, exit this mode.

1. Surround flight/ GPS on/off
2. Left joystick/3 Speeds mode
3. Headless mode
4. Start (unlock)
5. Antenna
6. Compass
7. LCD display
8. Right joystick
9. One key ascend
10. Photo taking
11. Power switch
12. Holder for phone
13. Camera up/down
14. Camera downward

### ACCESSORIES



1 2 3

# Fail-safe RTH

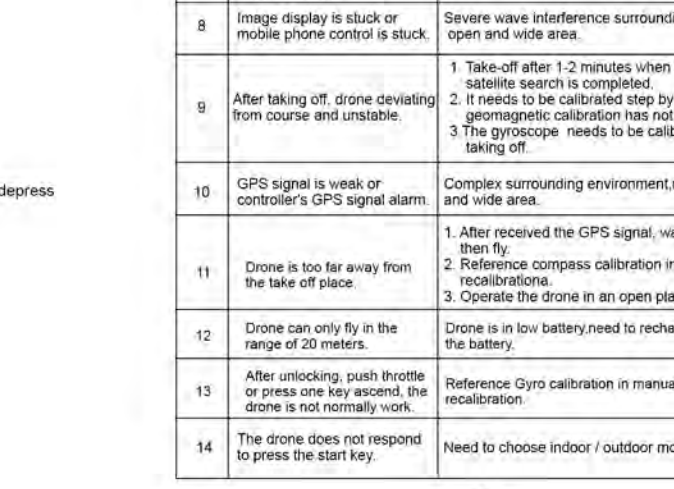
Drone will enter fail-safe RTH mode if the signal of the controller is lost, don't fly back to the record point. Rebind the controller to the drone if drone flies into your view. Pull the joystick down to land the drone in a safe area.

GPS surround flight

- At GPS mode press surround flight key (pic.1), the drone locks for its direction automatically.
- Push the right joystick left front, the drone flies surround counterclockwise. (pic.2)
- Push the right joystick right front, the drone flies surround clockwise. (pic.3)

1. Surround flight/ GPS on/off
2. Left joystick/3 Speeds mode
3. Headless mode
4. Start (unlock)
5. Antenna
6. Compass
7. LCD display
8. Right joystick
9. One key ascend
10. Photo taking
11. Power switch
12. Holder for phone
13. Camera up/down
14. Camera downward

### ACCESSORIES



1 2 3

# PROBLEM & SOLUTION

No.	Problems	Solution
1	Fail to charge for drone	Must use the original battery and use line.
2	Remote controller is not working/ is not on.	Battery has run out of power/charge new battery
3	Fail to do frequency match/ sometimes unable to do remote controller battery.	Battery of drone or remote controller has run out of power/need to charge drone battery or change remote controller battery.
4	After frequency match all the lights on drone still flash.	Drone battery has run out of power, take it out and change the battery.
5	Mobile phone can't get WIFI name?	Connect APP after repositioning.
6	1. Get the WIFI name but cannot display image. 2. Slow connection to phone.	1. Replace your phone with a different APP and connect it. 2. The plug wire connecting the WIFI board is loose, needs to take it out and reinserted to be connected.
7	Cell phone cannot display images or images display but cannot control by mobile phone.	The plug wire connecting the WIFI board is loose, needs to take it out and reinserted to be connected.
8	Image display is stuck or mobile phone image is stuck.	Severe wireless interference surroundings/move to open and wide area.
9	After taking off, drone deviating from course and unstable.	1. After receiving the GPS signal, wait for 2 minutes. 2. Reference compass calibration in manual and recalibration. 3. Operate the drone in an open place.
10	GPS signal is weak or controller's GPS signal alarm.	Complex surrounding environment/move to open and wide area.
11	The drone is too far away from the take off place.	1. After receiving the GPS signal, wait for 2 minutes. 2. Reference compass calibration in manual and recalibration. 3. Operate the drone in an open place.
12	Drone is in low battery need to recharge or replace the battery.	Drone is in low battery need to recharge or replace the battery.
13	After uncoupling, push throttle or press one key ascend, the drone is not normally work.	Reference Gyro calibration in manual and recalibration.
14	The drone does not respond to press the start key.	Need to choose indoor / outdoor mode correctly

# 问题及解决方法

序号	问题现象描述	问题现象排除
1	飞行器充电无法正常	必须使用原厂匹配的锂电池和USB充电线操作。
2	遥控器指示灯不亮	电池没电需要更换电池。
3	无法对频或对频时灯乱闪	飞行器没电/遥控器上的锂电池电量不足，需给飞行器充电/更换遥控器锂电池。
4	飞行器对频成功，飞行器上所有灯仍持续闪烁	飞行器上的锂电池电量不足，需取出飞行器上的锂电池充电。
5	手机搜索不到 WIFI 名称	APP 重新下载并安装。
6	手机可以搜索到 WIFI 名称，但 APP 无法正常连接	1. 更换手机/更换 APP 版本。 2. 重新对频/重新安装 APP。
7	手机无法显示图像或有图像但无法控制飞行器	连接 WIFI 板的插线松动了，需取出重新插上连接。
8	图像显示卡住或手机控制时卡顿	严重无线干扰/移动到开阔的地方飞行。
9	起飞后，无人机偏航，不穩定	1. GPS 校准完成后 2 分钟起飞。 2. 地面校准。 3. 参考指南校准指南。
10	信号微弱/遥控器 GPS 信号报警	周围环境影响，需移动到开阔的地方飞行。
11	遥控器与飞行器失联/遥控器失联	1. 正常接收 GPS 信号后，间隔 2 分钟起飞。 2. 参考指南校准指南。 3. 操作飞行器在开阔地方。
12	无人机起飞后 20 米范围内飞行，无法降落	无人机没电/没电，需给锂电池充电或更换锂电池。
13	遥控器无法搜索到 WIFI 名称/无法连接 APP	更换手机/重新安装 APP。 1. 更换手机/更换 APP 版本。 2. 重新对频/重新安装 APP。
14	飞行器启动自动无反应	需正常解除油门/油门模式。
15	飞行器起飞失败	室外飞行，改用室内模式。



## APPEND MANUAL

Produce name: DRONE

Model:YG001

Manufacturer: GUANGDONG JIANJIAN INTELLIGENT TECHNOLOGY CO., LTD.

Address: NO. 244,HUANCUI ROAD,CHENGHAI DISTRICT, SHANTOU, GUANGDONG, CHINA

NOTE: This equipment has been tested and found to comply with the limits for a Class B digital device, pursuant to part 15 of the FCC Rules. These limits are designed to provide reasonable protection against harmful interference in a residential installation. This equipment generates, uses and can radiate radio frequency energy and, if not installed and used in accordance with the instructions, may cause harmful interference to radio communications. However, there is no guarantee that interference will not occur in a particular installation. If this equipment does cause harmful interference to radio or television reception, which can be determined by turning the equipment off and on, the user is encouraged to try to correct the interference by one or more of the following measures: —Reorient or relocate the receiving antenna. —Increase the separation between the equipment and receiver. —Connect the equipment into an outlet on a circuit different from that to which the receiver is connected. —Consult the dealer or an experienced radio/TV technician for help.

This device complies with part 15 of the FCC Rules. Operation is subject to the following two conditions: (1) This device may not cause harmful interference, and (2) this device must accept any interference received, including interference that may cause undesired operation. Any changes or modifications not expressly approved by the party responsible for compliance could void the user's authority to operate the equipment.

Note: All of the above must be included in the user manual.