


38 mm

80 mm

**WiFi Smart Switch**

产品使用指南/User Manual



**Product Introduction**

Pairing Button/Manual Switch  
Power / WiFi indicator light (red)

SI  
S1  
N-Out  
N-In  
L-In  
L-Out

The device weight is less than 1kg. The installation height of less than 2 m is recommended.

**Specifications**

Name	WiFi Smart Switch
Input	AC 100-240V 50/60Hz
Output	AC 100-240V 50/60Hz
Support Platform	Android 5.0 & iOS 10 or higher
Frequency Standard	WiFi (802.11 b/g/n 2.4GHz)
Current	<16A
Material	PC
Dimension	41*41*28mm

**Installation instructions**

1 Power off

To avoid electric shocks, please consult the dealer or a qualified professional for help when installing and wiring.

2 Wiring instruction


Make sure correct wiring before powering the device on.

SI/S2 can connect with the rocker light switch or dimmer control. To ensure safety, do not connect the neutral wire and live wire to it.

**How to connect the device to Wi-Fi**

1 First of all:

- Power on the smart switch and make sure that the phone is connected to the same network with 2.4GHz frequency band, turn on the phone's Bluetooth.
- Make sure that the device is fully charged, and enter the QR code to each phone.
- Download and open the App.
- Scan the QR code in the App, then scan the QR code below to download and install the App.
- Follow the instructions on the screen to complete the device's pairing.
- After the device is paired, click the "Log in with an existing account" button.



2 Reset the smart switch:

Press and hold the button on the smart switch for more than 5 seconds until the LED indicator on the device flashes.

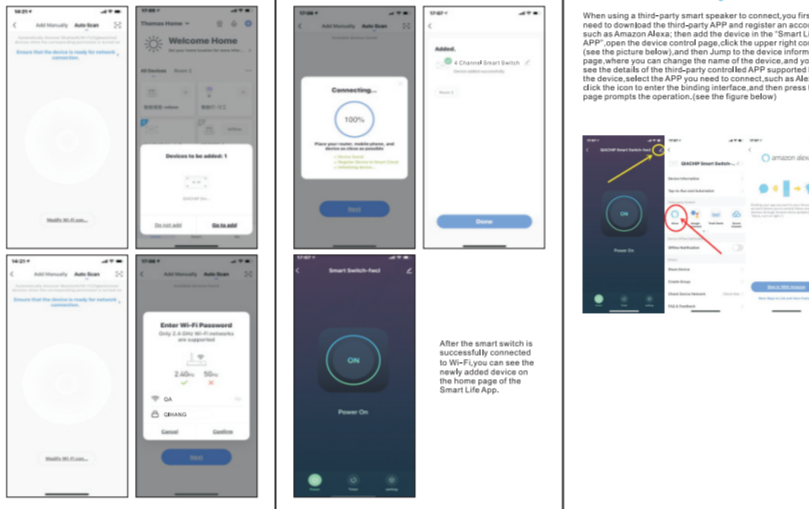
3 Add Device to App

Open the "Smart Life" App, click the "+" in the upper right corner to enter the device addition page, then click "Add Device" (different for the Bluetooth function of the device) button (different for the device type) to select the device to be added. After discovering the device to be added, the size and name of the device will appear in the APP page or a prompt page will pop up, then please follow the APP prompts to add the device.

After the smart switch is successfully connected to the APP, you can see the device added on the home page of the Smart Life App.


**How to connect to third-party applications such as Alexa and Google Assistant**

When using a third-party smart speaker to connect, you first need to download the third-party APP and register the account. APP (open the device control page, click the upper right corner icon to enter the third-party APP page, where you can change the name of the device and you can use the details of the third-party control APP supported by the device added to the APP (you need to connect such as Alexa, click the icon to enter the binding interface, and then press the right through the operation, see the figure below).



**WiFi智能开关**

产品使用指南/User Manual



**产品介绍**

配对按钮/手动开关  
电源/WiFi指示灯(红色)

SI  
S1  
N-Out  
N-In  
L-In  
L-Out

设备重量 < 1Kg, 建议安装高度 < 2米。

**产品参数**

产品名称	WiFi智能开关
输入电压	AC 100-240V 50/60Hz
输出电压	AC 100-240V 50/60Hz
支持平台	(Android 4.1 & iOS 9.0)或者更高版本
通信频率	WiFi(802.11 b/g/n 2.4GHz)
外壳材料	PC V0
产品规格	41*41*28mm

**安装说明**

1 断电

设备安装、接线操作应由专业电工操作, 以免发生触电危险!

2 接线


确保零火线接入无误后, 再进行上电。

SI/S2 或不带机械开关两线设备都可以正常使用。为确保安全, 请勿放入零火线等强电。

**设备与WiFi连接的操作方法**

1 使用准备

- 将智能开关通电, 同时确保手机已经连接到频段为2.4GHz的WiFi网络并打开手机蓝牙。
- 确保设备、手机、路由三者连接。
- 下载并打开APP
- 在应用商店搜索“智能生活”或扫描以下的二维码下载安装APP
- 如第一次下载使用, 请点击“创建新用户”按钮进行注册; 如已有账号, 则点击“使用已有账户登录”按钮。



2 重置智能开关

长按智能开关上的旋转秒针5秒以上, 直到它的LED指示灯快速闪烁。

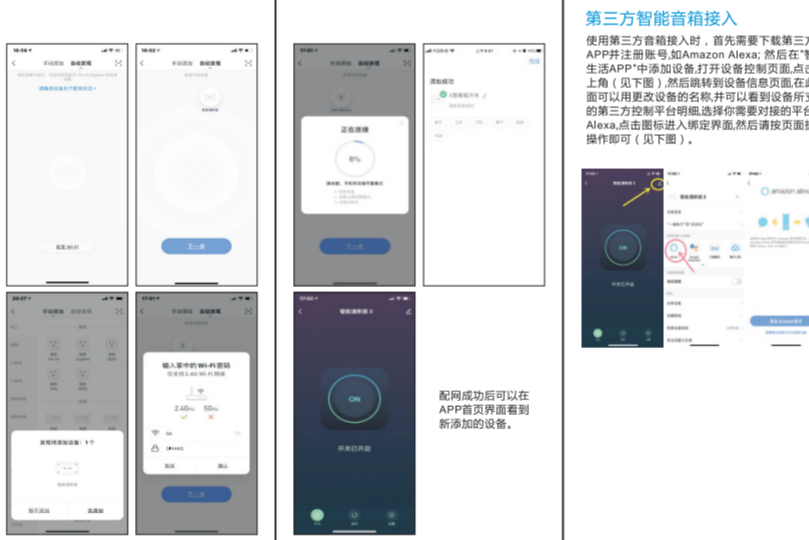
3 设备与App配对

打开“智能生活”APP, 点击右上角的“+”进入设备添加页面, 然后选择“自动发现”, (进行此操作之前请打开手机蓝牙功能); 并搜索并列出待添加的设备, 发现待添加设备后, 设备的图标与名称会出现在APP列表中, 点击并弹出提示页面, 然后点击APP提示操作添加设备。

第三方智能音箱接入

使用第三方智能音箱时, 首先需要下载第三方的APP并注册账号, 如Amazon Alexa; 然后在“智能生活APP”中点击设置, 打开设备管理页面, 点击左上角(见下图), 然后跳转到设备管理页面, 在此页面可以浏览已连接的设备, 并可以点击设备所支持的第三方控制平台按钮选择需要对接的平台, 如Alexa, 点击后进入绑定界面, 然后点击页面提示操作添加设备。(见下图)

配对成功可以在APP设备管理看到新添加的设备。



## FCC WARNING

This device complies with part 15 of the FCC Rules. Operation is subject to the following two conditions: (1) this device may not cause harmful interference, and (2) this device must accept any interference received, including interference that may cause undesired operation.

Any changes or modifications not expressly approved by the party responsible for compliance could void the user's authority to operate the equipment.

NOTE: This equipment has been tested and found to comply with the limits for a Class B digital device, pursuant to Part 15 of the FCC Rules. These limits are designed to provide reasonable protection against harmful interference in a residential installation. This equipment generates, uses and can radiate radio frequency energy and, if not installed and used in accordance with the instructions, may cause harmful interference to radio communications.

However, there is no guarantee that interference will not occur in a particular installation.

If this equipment does cause harmful interference to radio or television reception, which can be determined by turning the equipment off and on, the user is encouraged to try to correct the interference by one or more of the following measures:

- Reorient or relocate the receiving antenna.
- Increase the separation between the equipment and receiver.
- Connect the equipment into an outlet on a circuit different from that to which the receiver is connected.
- Consult the dealer or an experienced radio/TV technician for help.

To maintain compliance with FCC's RF Exposure guidelines, This equipment should be installed and operated with minimum distance between 20cm the radiator your body: Use only the supplied antenna.