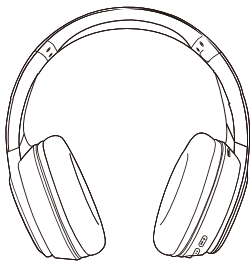


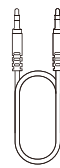
SH005 - 7197-47

## ANC Bluetooth Headphone

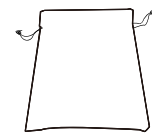
### PRODUCT OVERVIEW:



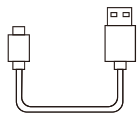
Headphonex1



USB Charging Cablex1



Fabric Pouchx1



Audio Cable x1

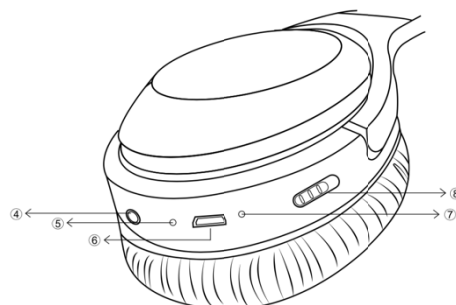
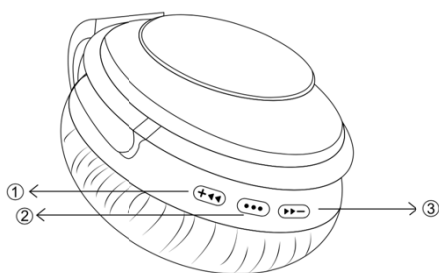


Manualx1

### PACKAGE CONTENT:

- ANC Bluetooth Headphonex1 pair
- Fabric Pouch bag x1
- Audio cable USB X1
- USB Charging boxx1
- Maunualx1

### BRIEF INSTRUCTION:



① Volume + (Short Press) / Next Track ( Long Press )
② Multi Function Button (MFB) : ON/OFF/Play/Pause
③ Volume - (Short Press) / Previous Track ( Long Press )
④ 3.5mm Aux In
⑤ Microphone
⑥ USB Charging Port
⑦ LED Light
⑧ ANC ON/ OFF

## BLUETOOTH CONNECTION

1. Pls Make sure the audio cable is not contacted with the headphone
2. Press Button ② for 2 seconds till you hear "Power on . LED flash Red&Blue
3. Ensure the Bluetooth connection in your Bluetooth device is on, Select the "ANC Bluetooth Headphones",you will hear a voice prompt "Connected" and LED turn to solid Blue ,The headphone is connected successfully with your device
4. After the initial pairing ,The headphone will automatically connect to the last connected device when it is turn on again
5. When Disconnect Bluetooth, you will hear a voice prompt "Disconnected". Then if you want to connect the headphone again , you will need to the new connection.
6. Press Button ⑧ to turn on ANC function and solid Green LED light on, Slide the button again to turn off ANC and LED turn off.
7. When Disconnect Bluetooth 5mins and ANC on, Headphones Bluetooth will auto turn off, ANC will remain on.

## CALLING HANDLING

Has built in microphones, Tone rings when there's an incoming call,

- Short press button ② to answer a call,
- Press again to end the call.
- Long press to reject a call

## AUX IN

when the headphone is off, connect the headphone and yours device with the 3.5mm audio cable in the packing

## CHARING

To charge the headphone, Connect the charging cable into the micro USB,Solid Red LED



when charging the headphone and LED turn off when fully charged.

**SPECIFICATION :**

Model No	SH005
Bluetooth Version	JL BT 5.0
Noise Cancellation Frequency	50-700HZ
ANC degree	20dB±3dB
Frequency Response:	20Hz-20kHz
Speaker Driver	40mm
Sensitivity	102dB(A) +/- 5dB at 1kHz
Impedance	32Ohm +/- 4Ohm
Support Profiles	A2DP/AVRCP/ HFP/HSP
Rated Output Power	30mW
Input	DC 5V/1A
Battery type	Lithium polymer battery
Battery capacity:	3.7V/400mAh
Playing time at max volume when ANC ON	10 hours
Playing time at max volume with ANC OFF	15 hours
Charing time	2 hours

**FCC Caution:**Any changes or modifications not expressly approved by the party responsible for compliance could void the user's authority to operate this equipment.

This device complies with Part 15 of the FCC Rules. Operation is subject to the following two conditions:

- (1) This device may not cause harmful interference, and
- (2) this device must accept any interference received, including interference that may cause undesired operation.

The device has been evaluated to meet general RF exposure requirements. The device can be used in portable exposure conditions without restriction.

**NOTE:**

This equipment has been tested and found to comply with the limits for a Class B digital device, pursuant to Part 15 of the FCC Rules.

These limits are designed to provide reasonable protection against harmful interference in a residential installation. This equipment generates, uses and can radiate radio frequency energy and, if not installed and used in accordance with the instructions, may cause harmful interference to radio communications.

However, there is no guarantee that interference will not occur in a particular installation. If this equipment does cause harmful interference to radio or television reception, which can be determined by turning the equipment off and on, the user is encouraged to

---

try to correct the interference by one or more of the following measures:

- Reorient or relocate the receiving antenna.
- Increase the separation between the equipment and receiver.
- Connect the equipment into an outlet on a circuit different from that to which the receiver is connected.
- Consult the dealer or an experienced radio/TV technician for help.

FCC ID:2AYL6-SH005