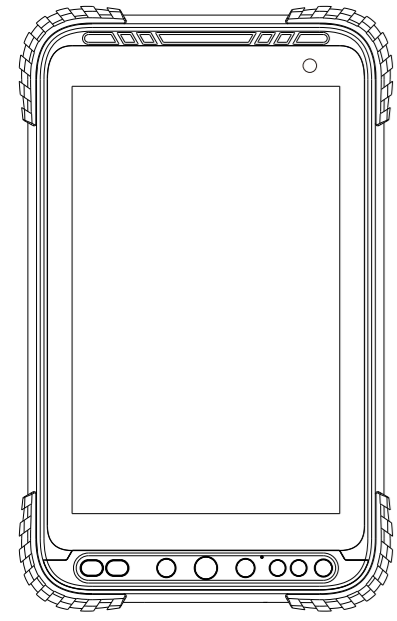


快速使用指南

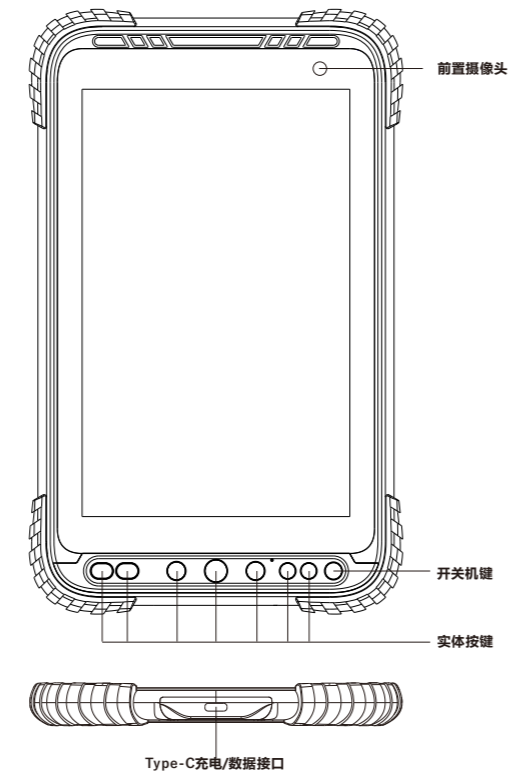


法律声明

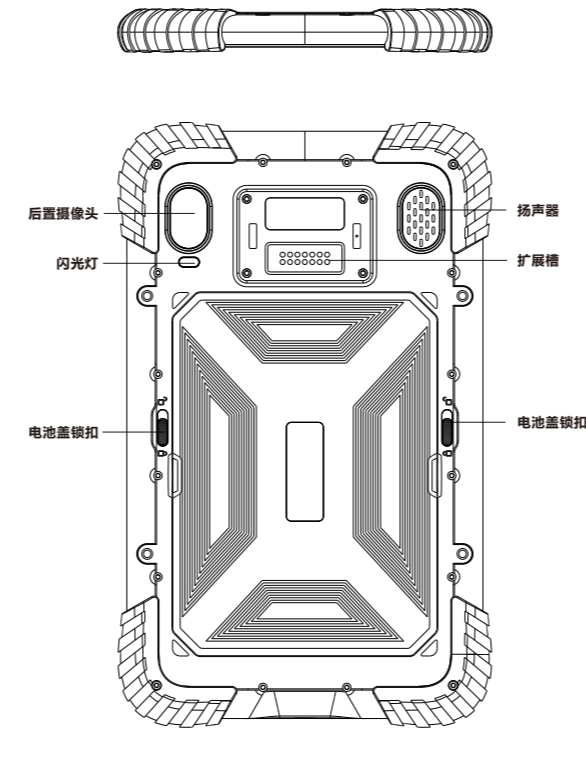
本资料著作权属我司所有。未经著作人书面许可，任何单位或个人不得以任何方式摘录、复制或翻译。对本手册中的印刷错误与最新资料不符之处我们会及时改进。这些改进会编入新版手册中不再另行通知。我可保留最终解释权。本手册中的图片仅为示意图，如图片与实物不一致，请以实物为准。有关手持机结构、电池与充电器其他相关参数详见实物。注意：更换错误型号的电池可能会有爆炸危险，务必按照说明处置用完的电池。建议在更换电池时进行放电。如长时间不使用请取出电池。另外，根据您所购买产品的型号及功能不同随机附带的配件会有所不同，请以包装盒内实物为准。

版本号 1.0
发布日期 2020.12

外观正面

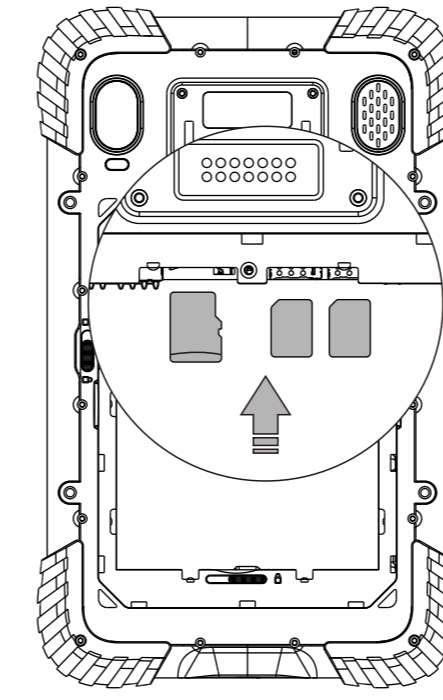


外观背面



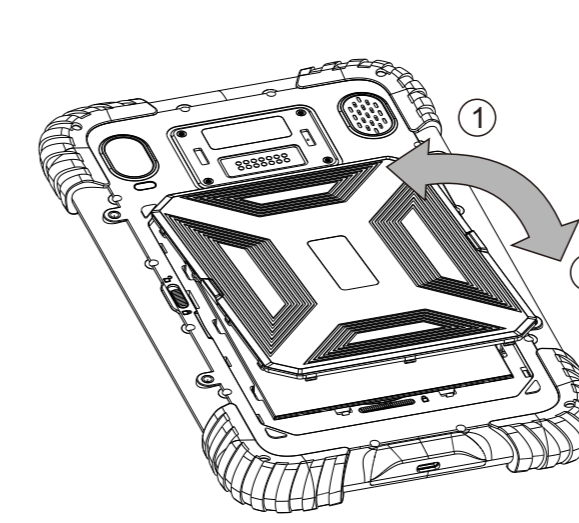
安装

请按图示方向插入Nano-SIM卡和MicroSD卡



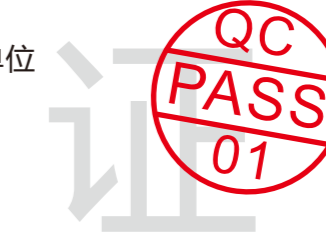
电池盖安装

请按图示顺序正确安装电池盖



合格证书

产品型号:
产品编号:
生产日期:
检验员:
检验标准:
出厂日期:
检验单位:

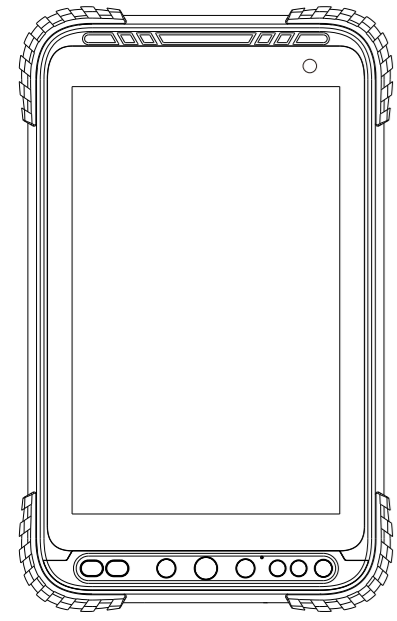


本产品经检验符合标准要求。

配置清单

配置清单	
产品名称	数量
主机	1
适配器	1
数据线	1
快速使用指南	1
包装盒	1
电池	1
触控笔	1 (选配)

Quike User Guide

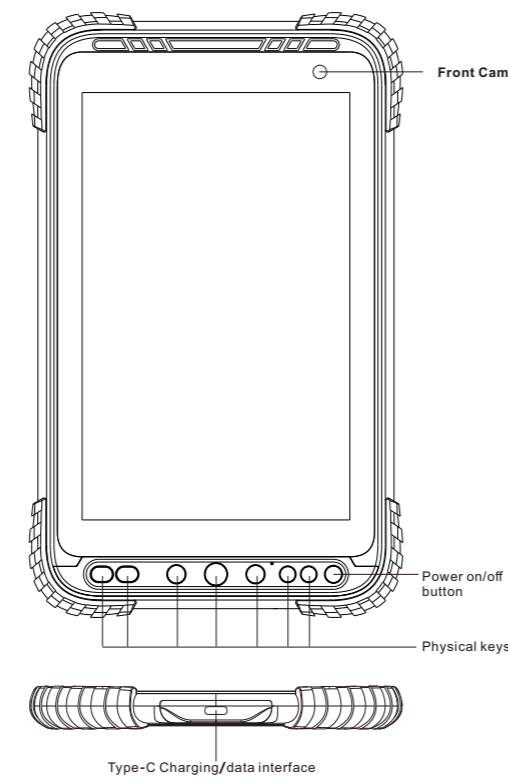


Legal declaration

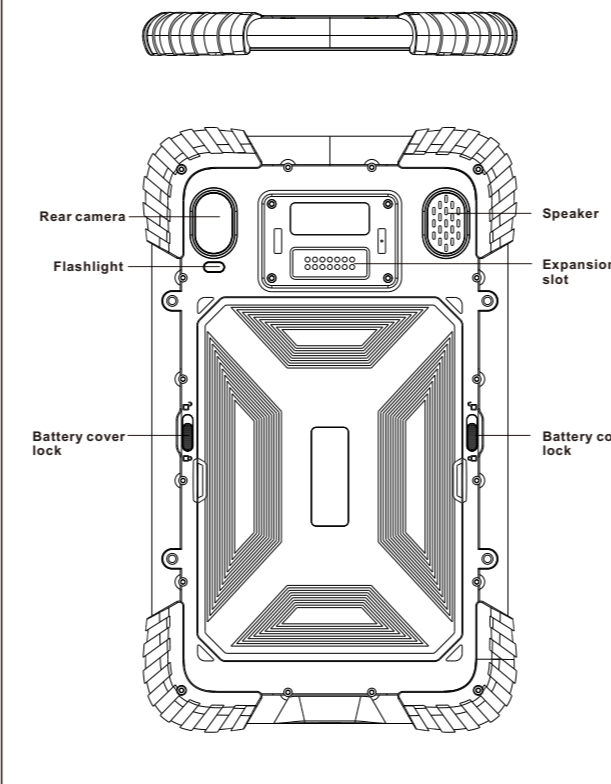
Copyright of this material is owned by our company. Without the written permission of the copyright owner, any company or individual cannot excerpt, copy, or translate in any way. We will improve the printing errors and places which are not consistent with the new material in this manual. These improvements will be included into a new version of the manual, and no longer being notified. We reserve all the right or the final explanation. The pictures in this manual are only diagrams. If the pictures are inconsistent with the actual product, please refer to the actual product. For other details about the structure battery and charger, please refer to the actual product. Note: It may be dangerous when replacing the wrong type of battery, please use battery as instructed. It is recommended to charge the battery regularly. If not used for a long time please remove the battery. In addition, depending on the model and function of the product you purchased, the attached accessories will be different, please refer to the inside materials of the packing box.

Version Number 1.0
Release Time 2020.12

Front Appearance

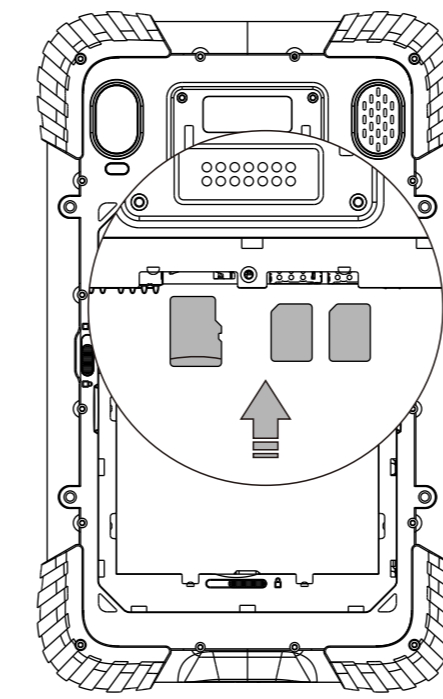


Back Appearance



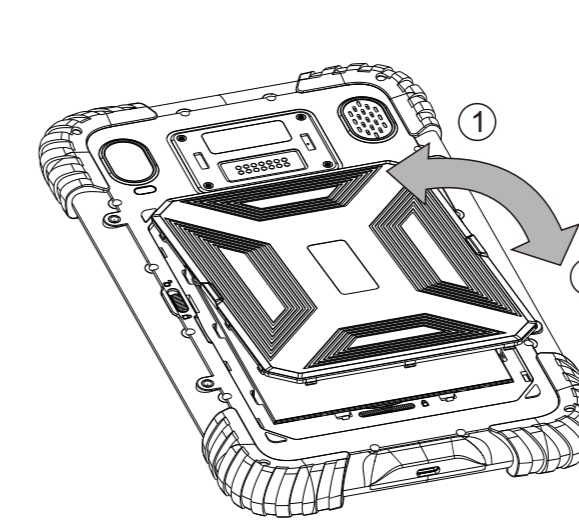
Installation

Please insert the Nano-SIM card and Micro-SD card in the direction of the diagram.



Battery cover Installation

Please install the battery cover in correct order



Certificate

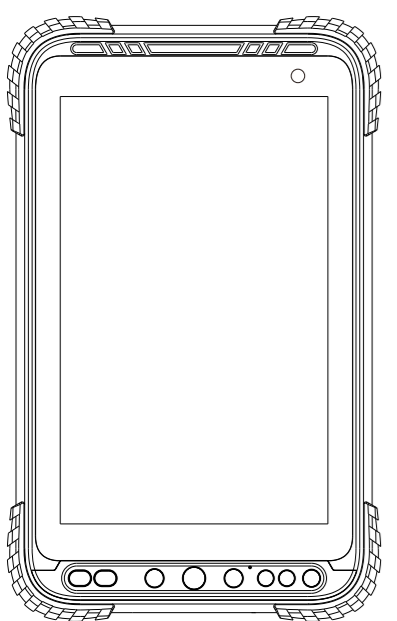
Product Type:
Part Number:
Manufacture Date:
QC Standard:
Data of production:
User Name:
Contact Tel:
E-mail address:



Configuration list

Configuration list	
Product name	Quantity
Host	1
Adapter	1
USB Cable	1
Quick Guide	1
Packing Box	1
Battery Cover	1
Stylus Pen	1 (Apolegamy)

クイックマニュアル

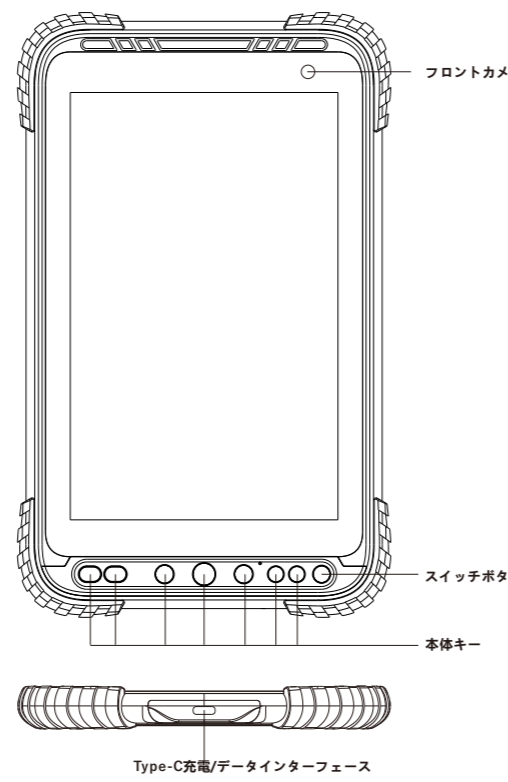


法律上の声明

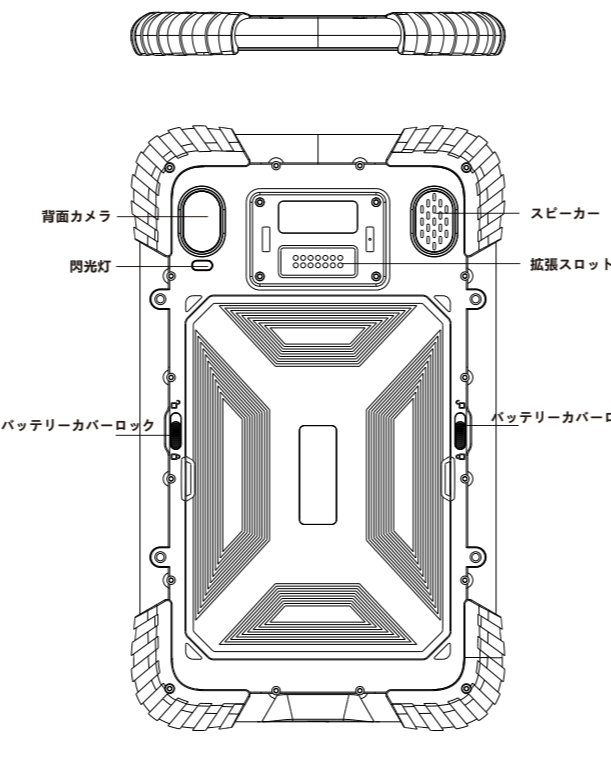
この資料の著作権は我が社の所有です。著作権者の書面許可なしに、いかなる単位または個人もいかなる方式で抜粋、複製または翻訳してはならない。このマニュアルの印刷ミスと最新の資料が一致しないところについて、直ちに改善します。これらの改良は最新版のマニュアルに組み入れられます。別室に通知なく、弊社は最終的な解釈権を保留します。本マニュアルの中の写真はただ模写図で、写真と実物が一致しない場合、実物を基準としてください。ハンドセットの構造、電池と充電器に関するその他の関連パラメータは実物をご参照ください。注意：間違ったタイプの電池を交換すると爆発する恐れがあります。必ず説明通りに使い切った電池を処分してください。定期的に電池を充電することをおすすめします。長期間使われないなら、電池を取り出してください。また、お買い上げの製品の型番や機能によっては、ラングラムに付属する部品が異なりますので、包装ケースの実物を基準としてください。

バージョン番号 1.0
公開日 2020.12

外觀正面

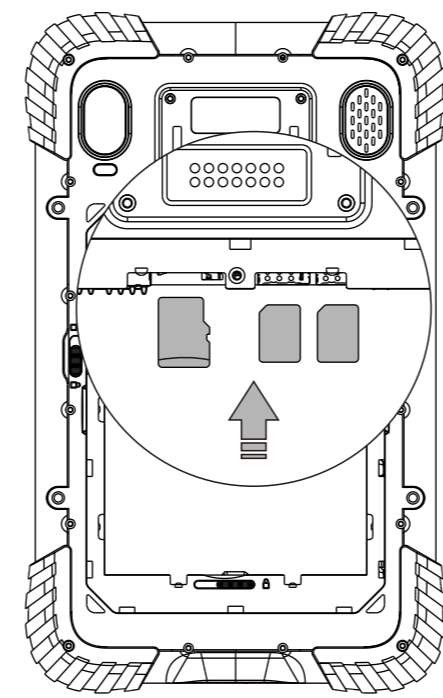


外觀の背面



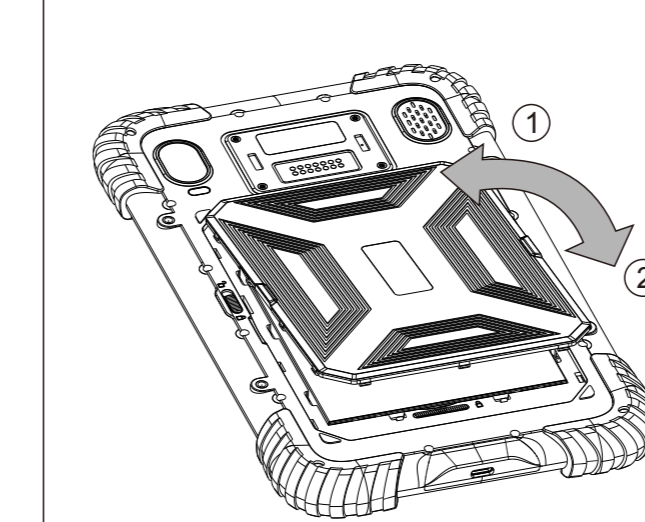
インストール

Nano-SIMカードとMicroSDカードを
図示の方向に挿入してください



バッテリーカバーの取り付け

バッテリーカバーは図示の順序で正しく
取り付けてください



合格証明書

製品の型番:
商品コード:
生産日:
検査員:
検査基準:
出荷期日:
検査機関:



本製品は検査を経て標準要求に適合している

設定リスト

設定リスト	
商品コード	数
ホスト	1
アダプター	1
データ線	1
使用マニュアル	1
包装ケース	1
バッテリー	1
タッチペン	1 (選択)

FCC Statement

This device complies with part 15 of the FCC rules. Operation is subject to the following two conditions: (1) this device may not cause harmful interference, and (2) this device must accept any interference received, including interference that may cause undesired operation.

Changes or modifications not expressly approved by the party responsible for compliance could void the user's authority to operate the equipment.

NOTE: This equipment has been tested and found to comply with the limits for a Class B digital device, pursuant to part 15 of the FCC Rules. These limits are designed to provide reasonable protection against harmful interference in a residential installation. This equipment generates uses and can radiate radio frequency energy and, if not installed and used in accordance with the instructions, may cause harmful interference to radio communications. However, there is no guarantee that interference will not occur in a particular installation. If this equipment does cause harmful interference to radio or television reception, which can be determined by turning the equipment off and on, the user is encouraged to try to correct the interference by one or more of the following measures:

- Reorient or relocate the receiving antenna.
- Increase the separation between the equipment and receiver.
- Connect the equipment into an outlet on a circuit different from that to which the receiver is connected.
- Consult the dealer or an experienced radio/TV technician for help.

The device has been evaluated to meet general RF exposure requirement. The device can be used in portable exposure condition without restriction.

Specific Absorption Rate (SAR) information:

This device meets the government's requirements for exposure to radio waves. The guidelines are based on standards that were developed by independent scientific organizations through periodic and thorough evaluation of scientific studies. The standards include a substantial safety margin designed to assure the safety of all persons regardless of age or health. FCC RF Exposure Information and Statement the SAR limit of USA (FCC) is 1.6 W/kg averaged over one gram of tissue. Device types: This device has also been tested against this SAR limit. This device was tested for typical body-worn operations with the back of the phone kept 10mm from the body. To maintain compliance with FCC RF exposure requirements, use accessories that maintain 0mm separation distance between the user's body and the back of the phone. The use of belt clips, holsters and similar accessories should not contain metallic components in its assembly. The use of accessories that do not satisfy these requirements may not comply with FCC RF exposure requirements, and should be avoided.