

Bluetooth and WIFI antenna specification

Document Type: 2.4GHZ
Document Version: V1.0
Release Date: 2019-12-11

ShenZhen Feasycom Technology Co.,Ltd

Telephone: 86-755-27924639

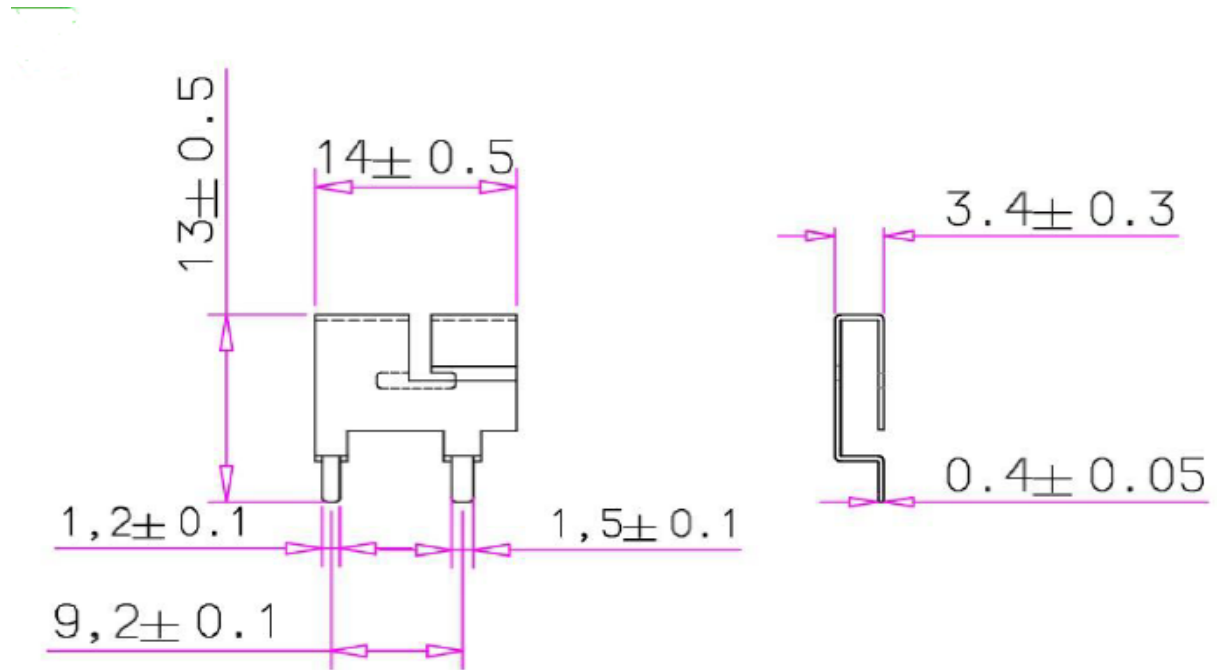
www.feasycom.com

2, Spec Drawing

Unit: mm

RF4 sheet thickness: 0.8mm

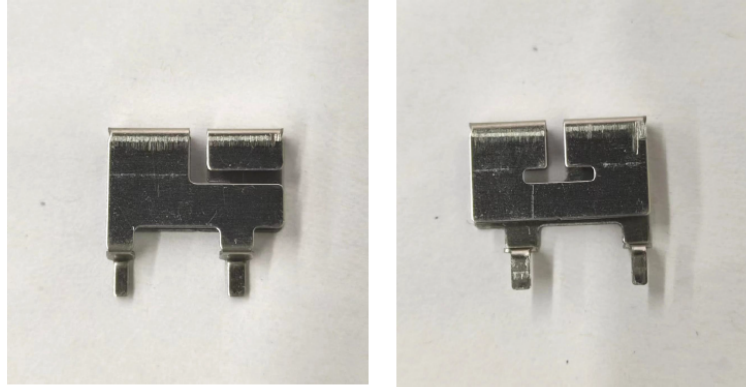
Top view



3, Specification

Product Number: 2.4GHZ&5GHZ Antenna

Sample Photo:



A. Electrical Characteristics

Bluetooth Frequency	2400 ~ 2500 MHz
WIFI Frequency (2.4GHZ)	2400 ~ 2500 MHz
S.W.R.	≤ 3.0
Gain	2.4G:1.08dBi
Efficiency	~ 30%
Polarization	Linear
Impedance	50 Ohm

B. Material & Mechanical Characteristics

Material of Radiator	copper
----------------------	--------

C. Environmental

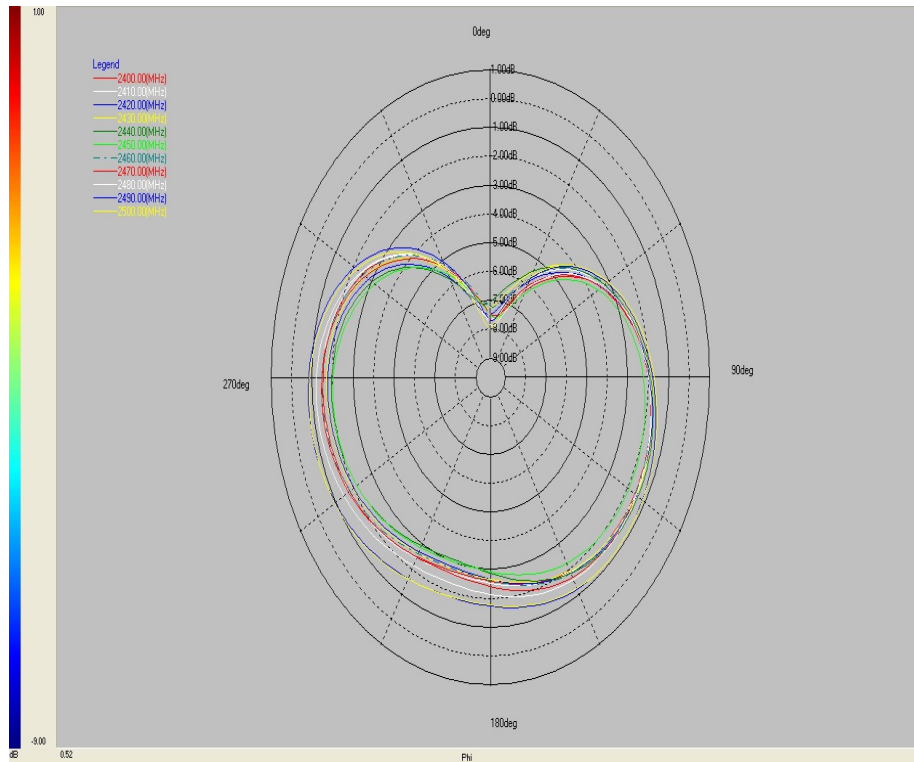
Operation Temperature	- 40°C ~ + 85°C
Storage Temperature	- 40°C ~ + 105°C

5.1, Gain and Efficiency

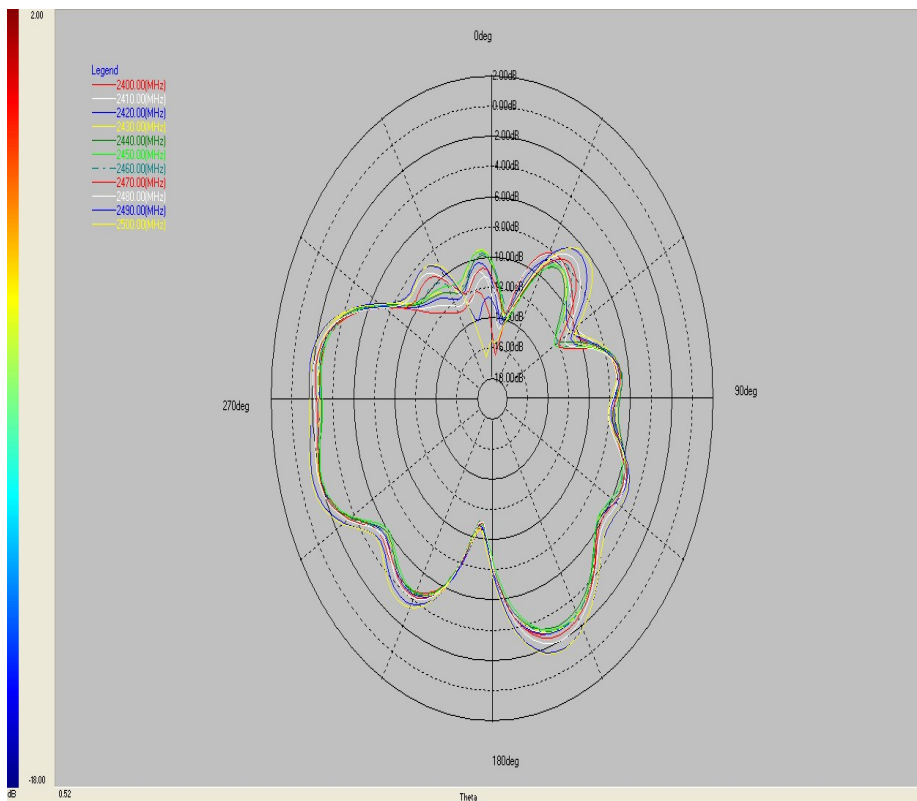
Frequency VNA (MHz)	Gain (Peak) (dBi)
2400MHz	0.0403503
2410MHz	0.0886264
2420MHz	0.267381
2430MHz	0.193012
2440MHz	0.26366
2450MHz	0.0723139
2460MHz	0.36895
2470MHz	0.551525
2480MHz	0.640702
2490MHz	1.05232
2500MHz	1.08443

5.2, Bluetooth 2D Radiation Pattern

Theta=90°



Phi=0°



Phi=90°

