

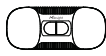




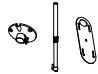



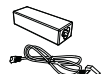
QUICK START GUIDE

ULTRA ToF PEOPLE COUNTER

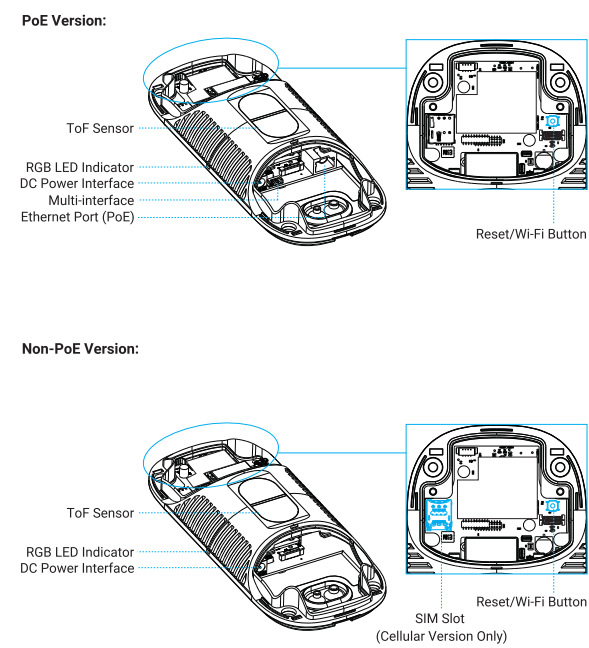


VS135

1. Packing List

- | | | |
|--|---|--|
| 
1 × VS135 Device | 
4 × Ceiling Mounting Kits | 
8 × Staff Tags |
| 
1 × Quick Start Guide | 
1 × Warranty Card | 
1 × VB01 Multifunctional Bracket Kit (Optional) |
| Non-PoE Version Only Accessories | | |
| 
1 × Power Adapter | | |
| PoE Version Only Accessories | | |
| 
1 × Multi-interface Cable | 
1 × Power Adapter (Optional) | 
1 × PoE Injector (Optional) |

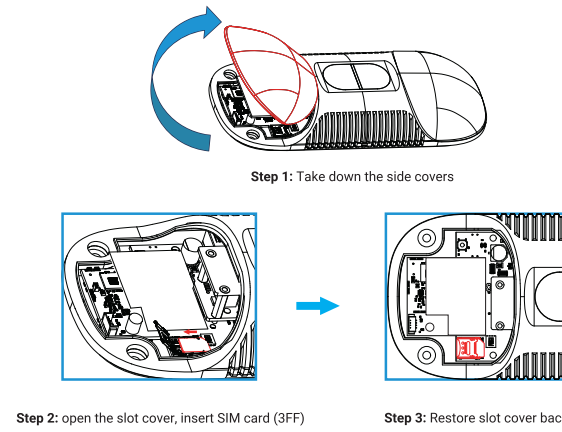
2. Hardware Introduction



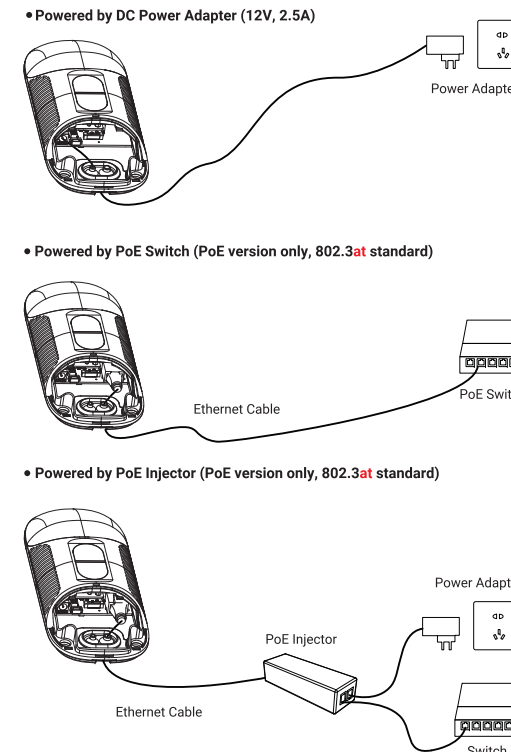
3. Button Descriptions

Function	Action	LED Indicator
Turn On/Off Wi-Fi	Press and hold the power button for more than 3 seconds	Turn On/Off: Blue light blinks for 3 seconds Wi-Fi On: Blue light blinks constantly Wi-Fi Off: Green light blinks constantly
Reset to Factory Default	Press and hold the power button for more than 10 seconds	Green light blinks until the reset process is completed

4. SIM Card Installation (Cellular Version Only)



5. Power Supply



Cloud App



Quick Start Guide

All Software & files can be downloaded from <https://www.milesight.com/iot/resources/download-center/#documents>

Better Inside, More in Sight

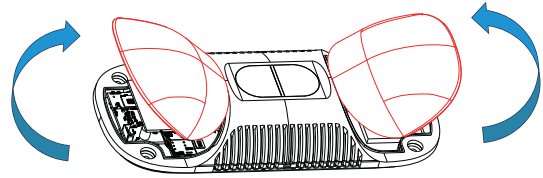
Xiamen Milesight IoT Co., Ltd. | www.milesight.com
Add: Building C09, Software Park Phase III, Xiamen 361024, Fujian, China

6. Installation

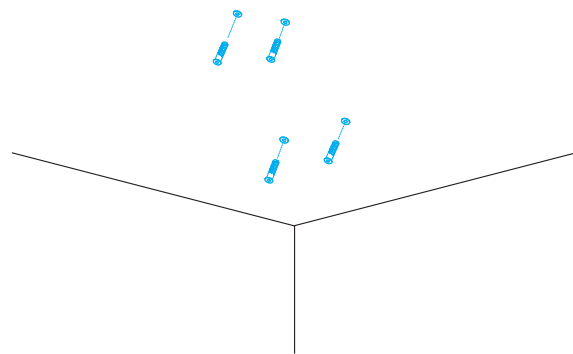
Ceiling Mount

Installation condition: ceiling thickness > 30mm

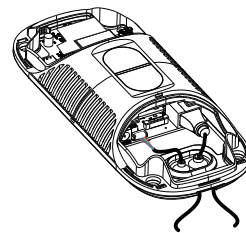
Step 1: Take down the side covers



Step 2: Fix wall plugs into ceiling holes



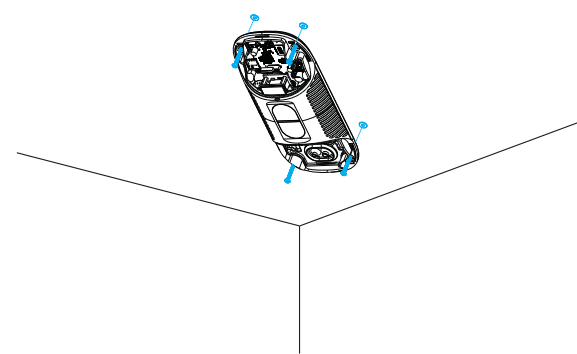
Step 3: Remove rubber plugs on the rubber sleeve, connect all required wires



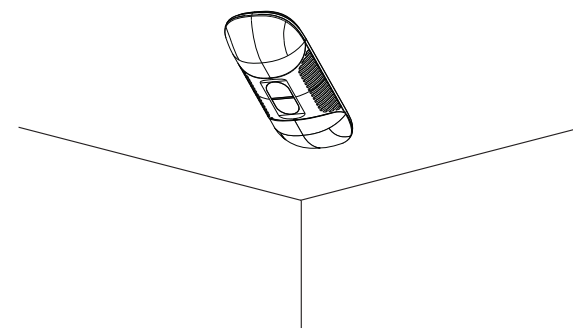
Note:

- Remove the rubber sleeve if waterproof is not required for easy installation
- Use round wires
- Ensure the rubber sleeve and the bottom cover are tightly connected without a gap if waterproof is required; if necessary, wrap the waterproof tapes around the wires to avoid any gap
- For non-PoE version devices, tighten the wires to avoid contact with internal modules

Step 4: Fix the device to ceiling with mounting screws

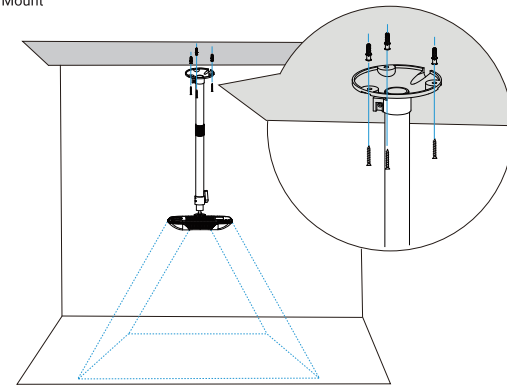


Step 5: Restore side covers

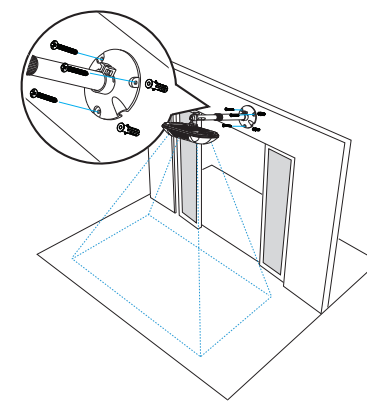


Ceiling/Lintel Mount (with Optional VB01 Multifunctional Bracket)

Ceiling Mount



Lintel Mount



Installation Note:

- Make sure the ToF sensor is facing down and the tilt angle from the ground is no greater than 15° for the standard version, and no greater than 10° for the high ceiling mount version.
- Avoid direct Infrared LED light in the detection area.
- Not suggested to install the sensor close to glass or mirror.
- Ensure that there are no other objects blocking the ToF light within a 50cm radius of the device's field of view.
- Though the device is compliant with Class 1 (IEC/EN 60825-1:2014), please DO NOT look at the ToF sensor too close and directly.
- Avoid installing the device against the wall and ensure the device keeps away from the wall with a distance of at least 40cm.
- When you install devices on the top of swinging doors, it is suggested to keep the door normally open. If the door must be normally closed, please install the device on the other side of the door to keep away from the door's movement. And it is suggested to keep away from the door with a distance of at least 40cm.

7. Access the Web GUI

VS135 provides user-friendly web GUI for configuration access via Wi-Fi or Ethernet port. Users need to customize the password when using the device for the first time. The default settings are as below:

Wi-Fi SSID: **People Counter_xxxxxx (can be found on the device label)**

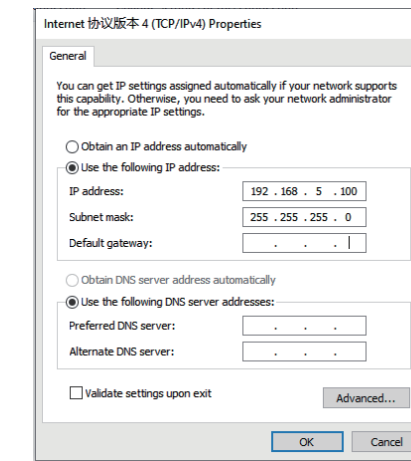
Wi-Fi IP: **192.168.1.1**

Ethernet IP: **192.168.5.220 (PoE Version Only)**

Here are 2 ways of accessing the web GUI:

Wireless Method: Enable the Wireless Network Connection on your computer, search for corresponding Wi-Fi SSID to connect it, then type 192.168.1.1 to access the web GUI.

Wired Method: Connect the device to computer via Ethernet port, assign the IP address of computer to 192.168.5.xxx manually, then type 192.168.5.220 to access the web GUI.



8. FCC Statement

Any changes or modifications not expressly approved by the party responsible for compliance could void the user's authority to operate the equipment.

This device complies with part 15 of the FCC Rules. Operation is subject to the following two conditions:

(1) This device may not cause harmful interference, and.

(2) This device must accept any interference received, including interference that may cause undesired operation.

Note: This equipment has been tested and found to comply with the limits for a Class B digital device, pursuant to part 15 of the FCC Rules. These limits are designed to provide reasonable protection against harmful interference in a residential installation. This equipment generates, uses and can radiate radio frequency energy and, if not installed and used in accordance with the instructions, may cause harmful interference to radio communications.

However, there is no guarantee that interference will not occur in a particular installation. If this equipment does cause harmful interference to radio or television reception, which can be determined by turning the equipment off and on, the user is encouraged to try to correct the interference by one or more of the following measures:

—Reorient or relocate the receiving antenna.

—Increase the separation between the equipment and receiver.

—Connect the equipment into an outlet on a circuit different from that to which the receiver is connected.

—Consult the dealer or an experienced radio/TV technician for help.

FCC Radiation Exposure Statement:

This equipment complies with FCC radiation exposure limits set forth for an uncontrolled environment. This equipment should be installed and operated with minimum distance 20cm between the radiator & your body. This transmitter must not be co-located or operating in conjunction with any other antenna or transmitter.