



**中认信通**  
CHINA CERTIFICATION ICT CO., LTD (DONGGUAN)



## TEST REPORT

**Applicant: Xiamen Milesight IoT Co., Ltd.**

Address: Building C09, Software Park Phase III, Xiamen 361024, Fujian, China

**FCC ID: 2AYHY-MR62-60G**

**Product Name: Radar**

**Standard(s): 47 CFR Part 15, Subpart C(15.255)  
ANSI C63.10-2013**

The above equipment has been tested and found compliant with the requirement of the relative standards by China Certification ICT Co., Ltd (Dongguan)

**Report Number: CR221262848-00A**

**Date Of Issue: 2023/3/27**

**Reviewed By: Sun Zhong**

*Sun Zhong*

Title: Manager

**Test Laboratory: China Certification ICT Co., Ltd (Dongguan)**  
No. 113, Pingkang Road, Dalang Town, Dongguan,  
Guangdong, China  
Tel: +86-769-82016888

### **Test Facility**

The Test site used by China Certification ICT Co., Ltd (Dongguan) to collect test data is located on the No. 113, Pingkang Road, Dalang Town, Dongguan, Guangdong, China.

The lab has been recognized as the FCC accredited lab under the KDB 974614 D01 and is listed in the FCC Public Access Link (PAL) database, FCC Registration No. : 442868, the FCC Designation No. : CN1314.

The lab has been recognized by Innovation, Science and Economic Development Canada to test to Canadian radio equipment requirements, the CAB identifier: CN0123.

### **Declarations**

China Certification ICT Co., Ltd (Dongguan) is not responsible for the authenticity of any test data provided by the applicant. Data included from the applicant that may affect test results are marked with a triangle symbol “▲”. Customer model name, addresses, names, trademarks etc. are not considered data.

Unless otherwise stated the results shown in this test report refer only to the sample(s) tested.

This report cannot be reproduced except in full, without prior written approval of the Company.

This report is valid only with a valid digital signature. The digital signature may be available only under the Adobe software above version 7.0.

This report may contain data that are not covered by the accreditation scope and shall be marked with an asterisk “★”.

## CONTENTS

<b>TEST FACILITY .....</b>	<b>2</b>
<b>DECLARATIONS.....</b>	<b>2</b>
<b>DOCUMENT REVISION HISTORY .....</b>	<b>5</b>
<b>1. GENERAL INFORMATION.....</b>	<b>6</b>
<b>1.1 PRODUCT DESCRIPTION FOR EQUIPMENT UNDER TEST (EUT) .....</b>	<b>6</b>
<b>1.2 DESCRIPTION OF TEST CONFIGURATION.....</b>	<b>7</b>
1.2.2 Support Equipment List and Details .....	7
1.2.3 Support Cable List and Details .....	7
1.2.4 Block Diagram of Test Setup.....	8
<b>1.3 FAR FIELD BOUNDARY CALCULATIONS .....</b>	<b>9</b>
<b>1.4 MEASUREMENT UNCERTAINTY .....</b>	<b>10</b>
<b>2. SUMMARY OF TEST RESULTS .....</b>	<b>11</b>
<b>3. REQUIREMENTS AND TEST PROCEDURES .....</b>	<b>12</b>
<b>3.1 AC LINE CONDUCTED EMISSIONS.....</b>	<b>12</b>
3.1.1 Applicable Standard.....	12
3.1.2 EUT Setup.....	13
3.1.3 EMI Test Receiver Setup .....	13
3.1.4 Test Procedure .....	14
3.1.5 Corrected Amplitude & Margin Calculation.....	14
<b>3.2 RADIATED EMISSIONS .....</b>	<b>15</b>
3.2.1 Applicable Standard.....	15
3.2.2 EUT Setup.....	15
3.2.3 EMI Test Receiver & Spectrum Analyzer Setup .....	17
3.2.4 Test Procedure .....	17
3.2.5 Corrected Amplitude & Margin Calculation.....	17
<b>3.3 20dB EMISSION BANDWIDTH:.....</b>	<b>18</b>
3.3.1 Applicable Standard.....	18
3.3.2 EUT Setup.....	18
3.3.3 Test Procedure .....	18
<b>3.4 EQUIVALENT ISOTROPICALLY RADIATED POWER (EIRP) .....</b>	<b>19</b>
3.4.1 Applicable Standard.....	19
3.4.2 Test Procedure .....	19
<b>3.5 PEAK CONDUCTED OUTPUT POWER .....</b>	<b>20</b>
3.5.1 Applicable Standard.....	20
3.5.2 Test Procedure .....	20
<b>3.6 FREQUENCY STABILITY.....</b>	<b>21</b>
3.6.1 Applicable Standard.....	21
3.6.2 Test Procedure .....	21
<b>3.7 OPERATION RESTRICTION AND GROUP INSTALLTION .....</b>	<b>22</b>
3.7.1 Applicable Standard.....	22

3.7.2 Result of Operation Restriction.....22

3.7.3 Result of Group installation .....22

**3.8 ANTENNA REQUIREMENT.....22**

3.8.1 Applicable Standard.....22

3.8.2 Judgment.....22

**4. TEST DATA AND RESULTS ..... 23**

**4.1 AC LINE CONDUCTED EMISSIONS.....23**

**4.2 RADIATION SPURIOUS EMISSIONS .....26**

**4.3 EMISSION BANDWIDTH: .....34**

**4.4 EQUIVALENT ISOTROPICALLY RADIATED POWER (EIRP): .....35**

**4.6 PEAK CONDUCTED OUTPUT POWER: .....36**

**4.5 FREQUENCY STABILITY: .....37**

**5. RF EXPOSURE EVALUATION ..... 38**

**5.1 MAXIMUM PERMISSIBLE EXPOSURE (MPE) .....38**

**5.1.1 APPLICABLE STANDARD.....38**

**5.1.2 PROCEDURE.....38**

## DOCUMENT REVISION HISTORY

Revision Number	Report Number	Description of Revision	Date of Revision
1.0	CR221262848-00A	Original Report	2023/3/27

## 1. GENERAL INFORMATION

### 1.1 Product Description for Equipment under Test (EUT)

<b>EUT Name:</b>	Radar
<b>EUT Model:</b>	MR62-V1.3.0
<b>Operation Frequency Range:</b>	61.25-61.47 GHz
<b>Modulation Type:</b>	FMCW
<b>Rated Input Voltage:</b>	5Vdc
<b>Serial Number:</b>	1Z8K
<b>EUT Received Date:</b>	2023/2/4
<b>EUT Received Status:</b>	Good

#### Operation Frequency Detail:

Sweep Start Frequency (GHz)	Sweep Stop Frequency (GHz)
61.25	61.47
Per section 15.31(m), the below frequencies were performed the test as below:	
Test Frequency	Frequency (GHz)
Lowest	61.25
Middle	61.35
Highest	61.47

#### Antenna Information Detail▲:

Antenna Type	input impedance (Ohm)	Antenna Gain	Frequency Range
Microstrip Patch	50	16.5 dBi	57~71GHz

The Method of §15.203 Compliance:

- Antenna must be permanently attached to the unit.
- Antenna must use a unique type of connector to attach to the EUT.
- Unit must be professionally installed, and installer shall be responsible for verifying that the correct antenna is employed with the unit.

#### Accessory Information:

Accessory Description	Manufacturer	Model
/	/	/

## 1.2 Description of Test Configuration

### 1.2.1 EUT Operation Condition:

<b>EUT Operation Mode:</b>	The system was configured for testing in Engineering Mode, which was provided by the manufacturer. The device has 3T4R, 3TX only simultaneously transmit.
<b>Equipment Modifications:</b>	No
<b>EUT Exercise Software:</b>	No
Engineering Mode was provided by manufacturer▲. The maximum power was configured default setting.	

### 1.2.2 Support Equipment List and Details

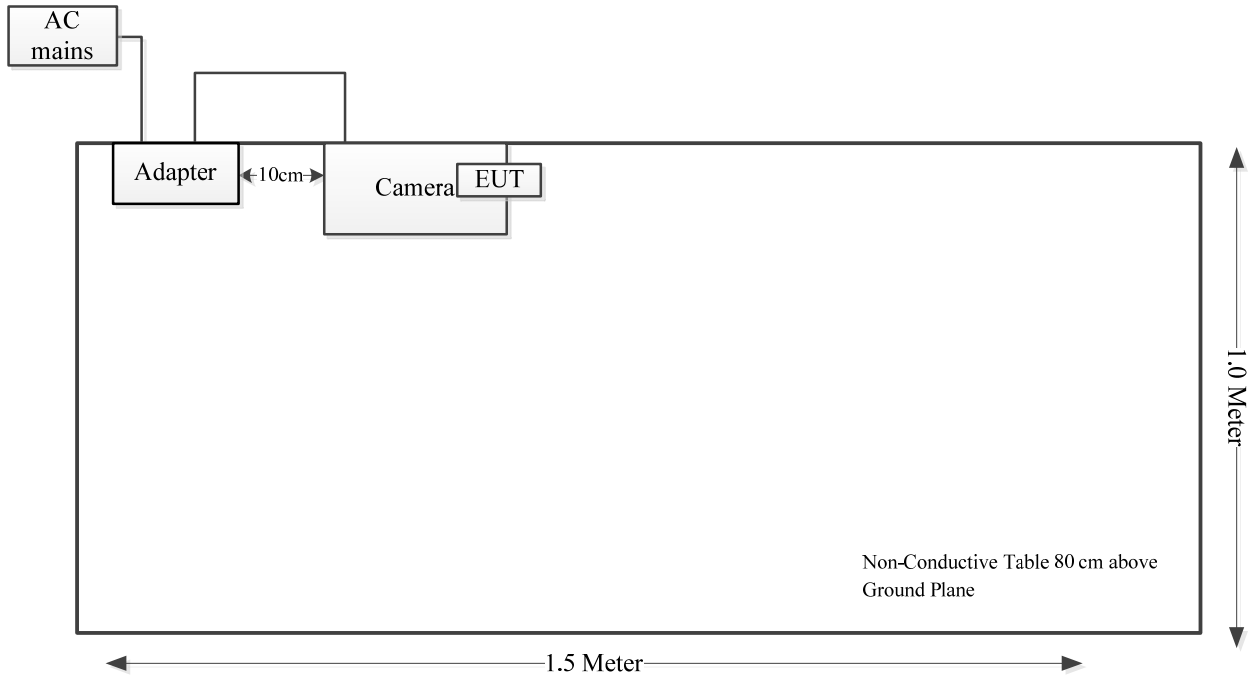
Manufacturer	Description	Model	Serial Number
ORIENTAL HERO ELE.FTY	POWER ADAPTER	OH-101511201000U3- UL	E230964
Milesight	Camera	TS2966-X12VPE	Unknown

### 1.2.3 Support Cable List and Details

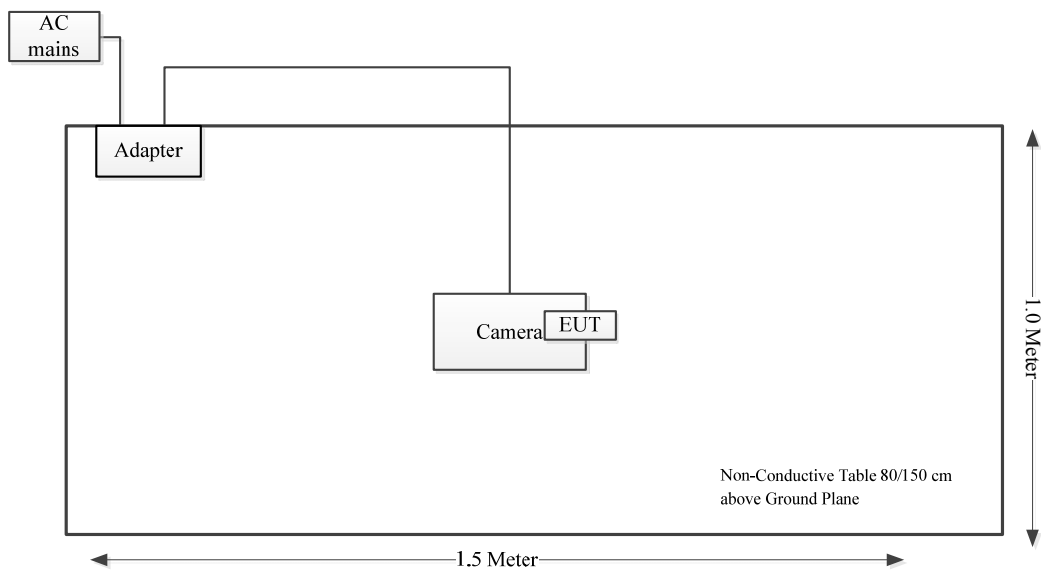
Cable Description	Shielding Type	Ferrite Core	Length (m)	From Port	To
Adapter Cable	NO	NO	0.8	LINS	Camera

### 1.2.4 Block Diagram of Test Setup

AC line conducted emissions



Spurious emissions





### 1.3 FAR Field Boundary Calculations

The far-field boundary is given in ANSI C63.10-2013:

$$R_m = 2D^2 / \lambda$$

Where:

D is the largest dimension of the antenna aperture in m and

$\lambda$  is the free-space wavelength in m at the frequency of measurement.

The minimum test distance for the frequency range 40GHz-200GHz determine as below:

Model	Frequency Range (GHz)	Largest Dimension of the Horn Antenna (mm)	Minimum Test Distance $R_m$ (m)
M19RH	40-60	46.3	0.57
861V/385	50-75	43.7	0.64
M12RH	60-90	30.02	0.36
M08RH	90-140	19.7	0.23
M05RH	140-220	12.5	0.30

Note: The test distances used were 1.0 m from 40 GHz to 90 GHz, and 0.5 m from 90 GHz to 200 GHz, it can be seen that the EUT was always in the Far-field of the Receive Antenna during all Radiated Emissions Tests.

## 1.4 Measurement Uncertainty

Otherwise required by the applicant or Product Regulations, Decision Rule in this report did not consider the uncertainty. The extended uncertainty given in this report is obtained by combining the standard uncertainty times the coverage factor K with the 95% confidence interval.

Parameter	Measurement Uncertainty
Occupied Channel Bandwidth	±5 %
Unwanted Emissions, radiated	30M~200MHz: 4.15 dB, 200M~1GHz: 5.61 dB, 1G~6GHz: 5.14 dB, 6G~18GHz: 5.93 dB, 18G~26.5G: 5.47 dB, 26.5G~40G: 5.63 dB 40~60G: 4.83dB, 60G~90G: 4.94dB, 90G-140G: 5.46dB, 140G-220G: 6.00dB
Temperature	±1 °C
Humidity	±5%
DC and low frequency voltages	±0.4%
Duty Cycle	1%
AC Power Lines Conducted Emission	2.8 dB (150 kHz to 30 MHz)

## 2. SUMMARY OF TEST RESULTS

Standard(s)/Rule(s)	Description of Test	Result
§15.207(a)	Conduction Emissions	Compliant
§15.205, §15.209, §15.255(d)	Radiated Emissions	Compliant
§15.215	20dB Emission Bandwidth	Compliant
§15.255(e)	Equivalent Isotropically Radiated Power (EIRP)	Compliant
§15.255(e)	Peak Conducted Output Power	Compliant
§15.255 (f)	Frequency Stability	Compliant
§15.255 (a)(h)	Operation Restriction And Group Installation	Compliant
§15.203	Antenna Requirement	Compliant
§15.255(g), §1.1310, §2.1091	Maximum Permissible Exposure (MPE)	Compliant

### 3. REQUIREMENTS AND TEST PROCEDURES

#### 3.1 AC Line Conducted Emissions

##### 3.1.1 Applicable Standard

FCC§15.207(a).

(a) Except as shown in paragraphs (b) and (c) of this section, for an intentional radiator that is designed to be connected to the public utility (AC) power line, the radio frequency voltage that is conducted back onto the AC power line on any frequency or frequencies, within the band 150 kHz to 30 MHz, shall not exceed the limits in the following table, as measured using a 50  $\mu$ H/50 ohms line impedance stabilization network (LISN). Compliance with the provisions of this paragraph shall be based on the measurement of the radio frequency voltage between each power line and ground at the power terminal. The lower limit applies at the boundary between the frequency ranges.

Frequency of emission (MHz)	Conducted limit (dB $\mu$ V)	
	Quasi-peak	Average
0.15-0.5	66 to 56*	56 to 46*
0.5-5	56	46
5-30	60	50

\*Decreases with the logarithm of the frequency.

(b) The limit shown in paragraph (a) of this section shall not apply to carrier current systems operating as intentional radiators on frequencies below 30 MHz. In lieu thereof, these carrier current systems shall be subject to the following standards:

(1) For carrier current system containing their fundamental emission within the frequency band 535-1705 kHz and intended to be received using a standard AM broadcast receiver: no limit on conducted emissions.

(2) For all other carrier current systems: 1000  $\mu$ V within the frequency band 535-1705 kHz, as measured using a 50  $\mu$ H/50 ohms LISN.

(3) Carrier current systems operating below 30 MHz are also subject to the radiated emission limits in §15.205, §15.209, §15.221, §15.223, or §15.227, as appropriate.

(c) Measurements to demonstrate compliance with the conducted limits are not required for devices which only employ battery power for operation and which do not operate from the AC power lines or contain provisions for operation while connected to the AC power lines. Devices that include, or make provisions for, the use of battery chargers which permit operating while charging, AC adapters or battery eliminators or that connect to the AC power lines indirectly, obtaining their power through another device which is connected to the AC power lines, shall be tested to demonstrate compliance with the conducted limits.

### 3.1.2 EUT Setup



- Note: 1. Support units were connected to second LISN.  
 2. Both of LISNs (AMN) 80 cm from EUT and at the least 80 cm from other units and other metal planes support units.

The setup of EUT is according with per ANSI C63.10-2013 measurement procedure. The specification used was with the FCC Part 15.207 limits.

The spacing between the peripherals was 10 cm.

### 3.1.3 EMI Test Receiver Setup

The EMI test receiver was set to investigate the spectrum from 150 kHz to 30 MHz.

During the conducted emission test, the EMI test receiver was set with the following configurations:

Frequency Range	IF B/W
150 kHz – 30 MHz	9 kHz

### 3.1.4 Test Procedure

During the conducted emission test, the EUT was connected to the outlet of the first LISN.

The frequency and amplitude of the six highest ac power-line conducted emissions relative to the limit, measured over all the current-carrying conductors of the EUT power cords, and the operating frequency or frequency to which the EUT is tuned (if appropriate), should be reported, unless such emissions are more than 20 dB below the limit. AC power-line conducted emissions measurements are to be separately carried out only on each of the phase (“hot”) line(s) and (if used) on the neutral line(s), but not on the ground [protective earth] line(s). If less than six emission frequencies are within 20 dB of the limit, then the noise level of the measuring instrument at representative frequencies should be reported. The specific conductor of the power-line cord for each of the reported emissions should be identified. Measure the six highest emissions with respect to the limit on each current-carrying conductor of each power cord associated with the EUT (but not the power cords of associated or peripheral equipment that are part of the test configuration). Then, report the six highest emissions with respect to the limit from among all the measurements identifying the frequency and specific current-carrying conductor identified with the emission. The six highest emissions should be reported for each of the current-carrying conductors, or the six highest emissions may be reported over all the current-carrying conductors.

### 3.1.5 Corrected Amplitude & Margin Calculation

The basic equation is as follows:

Result = Reading + Factor

Factor = attenuation caused by cable loss + voltage division factor of AMN

The “**Margin**” column of the following data tables indicates the degree of compliance within the applicable limit. The equation for margin calculation is as follows:

Margin = Limit – Result

### 3.2 Radiated Emissions

#### 3.2.1 Applicable Standard

FCC §15.255

(d) Limits on spurious emissions:

(1) The power density of any emissions outside the 57-71 GHz band shall consist solely of spurious emissions.

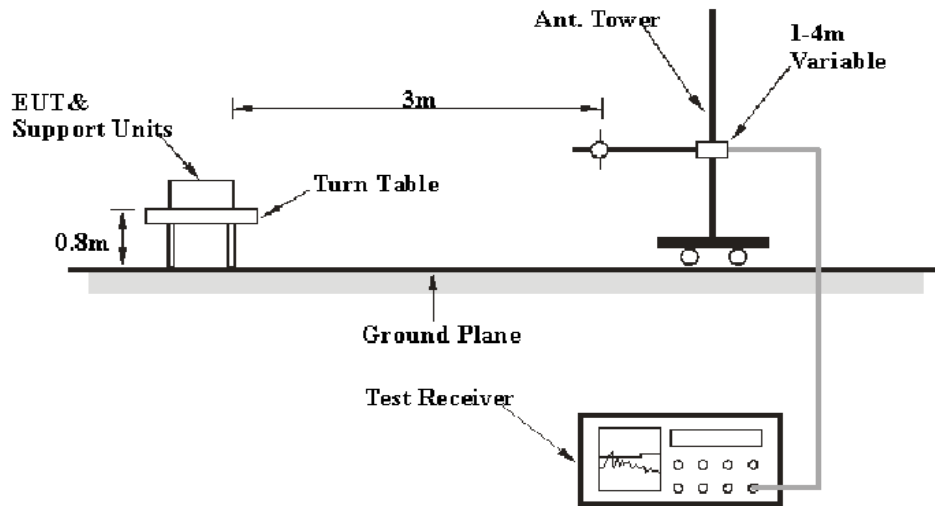
(2) Radiated emissions below 40 GHz shall not exceed the general limits in § 15.209.

(3) Between 40 GHz and 200 GHz, the level of these emissions shall not exceed  $90 \text{ pW/cm}^2$  at a distance of 3 meters.

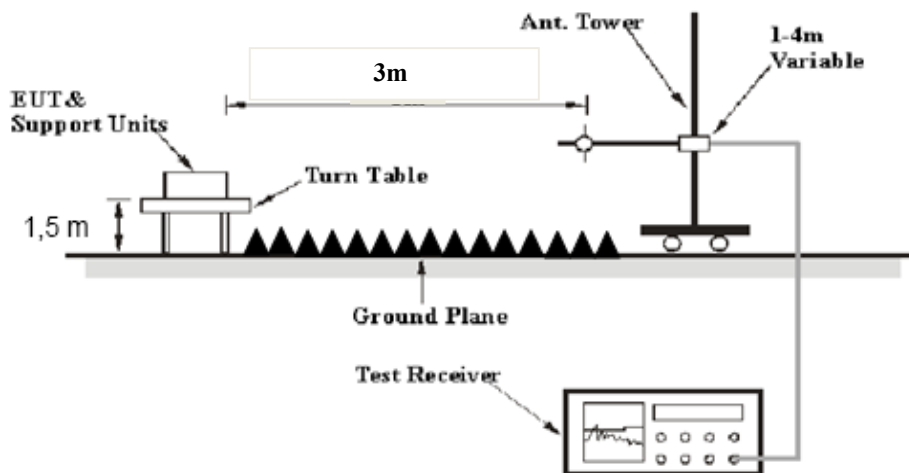
(4) The levels of the spurious emissions shall not exceed the level of the fundamental emission.

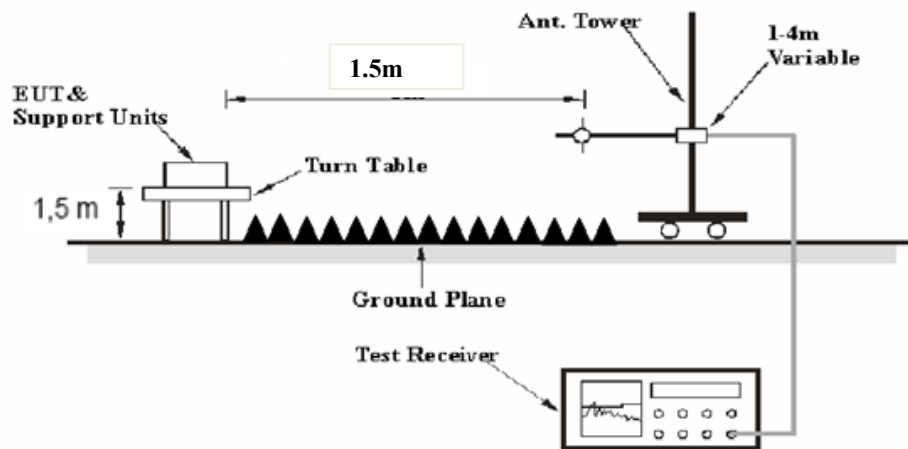
#### 3.2.2 EUT Setup

Below 1GHz:



1-26.5 GHz:



**26.5-40 GHz:****Above 40GHz:**

The antenna is scanned around the entire perimeter surface of the EUT, in both horizontal and vertical polarizations, at the distance of 1.0 m from 40 GHz to 90 GHz, and 0.5 m from 90 GHz to 200 GHz.

The radiated emission and out of band emission tests were performed in the 3 meters chamber test site A, using the setup accordance with the ANSI C63.10-2013 The specification used was the FCC 15.209/15.205 and FCC 15.255 limits.



### 3.2.3 EMI Test Receiver & Spectrum Analyzer Setup

The system was investigated from 30 MHz to 200 GHz.

During the radiated emission test, the EMI test receiver & Spectrum Analyzer Setup were set with the following configurations:

Frequency Range	RBW	Video B/W	IF B/W	Detector
30 MHz – 1000 MHz	120 kHz	300 kHz	120 kHz	QP
1-40 GHz	1MHz	3 MHz	/	PK
	1MHz	10 Hz	/	Ave
40 GHz – 200 GHz	1MHz	3 MHz	/	PK

If the maximized peak measured value complies with under the QP/Average limit more than 6dB, then it is unnecessary to perform an QP/Average measurement.

### 3.2.4 Test Procedure

Refer to ANSI C63.10-2013 Clauses 9.9, 9.12, and 9.13.

A Maximizing procedure was performed to ensure that the highest emissions from the EUT were actually measured in all of the Test Arrangements of the EUT and Local Support Equipment.

In accordance with FCC Rules Part 15 Subpart A Section 15.35, from 30 MHz to 1 GHz all radiated emissions measurements were made using a Quasi-peak Detector, and from 1 GHz to 40 GHz, all radiated emissions measurements were made using a Peak Detector and CISPR Average Detector. In accordance with FCC Rules Part 15 Subpart C Section 15.255, from 40 GHz to 200 GHz, all radiated emissions measurements were made using a Peak Detector.

According to C63.10, the 26.5-40GHz test result shall be extrapolated to the specified distance using an extrapolation factor of 20dB/decade from 3m to 1.5m

Distance extrapolation factor =  $20 \log(\text{specific distance [3m]}/\text{test distance [1.5m]})$  dB = 6.02 dB

All emissions under the average limit and under the noise floor have not recorded in the report.

### 3.2.5 Corrected Amplitude & Margin Calculation

The basic equation is as follows:

Factor = Antenna Factor + Cable Loss - Amplifier Gain

For 30MHz-26.5GHz:

Result = Reading + Factor

For 26.5GHz-40GHz

Result = Reading + Factor - Distance extrapolation Factor

The “**Margin**” column of the following data tables indicates the degree of compliance within the applicable limit. The equation for margin calculation is as follows:

Margin = Limit – Result

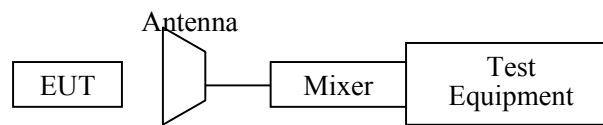
### 3.3 20dB Emission Bandwidth:

#### 3.3.1 Applicable Standard

FCC §15.215

Intentional radiators operating under the alternative provisions to the general emission limits, as contained in §§ 15.217 through 15.257 and in Subpart E of this part, must be designed to ensure that the 20 dB bandwidth of the emission, or whatever bandwidth may otherwise be specified in the specific rule section under which the equipment operates, is contained within the frequency band designated in the rule section under which the equipment is operated.

#### 3.3.2 EUT Setup



#### 3.3.3 Test Procedure

According to ANSI C63.10-2013 Section 9.3.

### **3.4 Equivalent Isotropically Radiated Power (EIRP)**

#### **3.4.1 Applicable Standard**

FCC §15.255(c)

(2) For fixed field disturbance sensors that occupy 500 MHz or less of bandwidth and that are contained wholly within the frequency band 61.0-61.5 GHz, the average power of any emission, measured during the transmit interval, shall not exceed 40 dBm, and the peak power of any emission shall not exceed 43 dBm. In addition, the average power of any emission outside of the 61.0-61.5 GHz band, measured during the transmit interval, but still within the 57-71 GHz band, shall not exceed 10 dBm, and the peak power of any emission shall not exceed 13 dBm.

#### **3.4.2 Test Procedure**

Refer to ANSI C63.10-2013 Clause 9.11

Maximizing procedure was performed on the highest emissions to ensure that the EUT complied with all installation combinations.

### **3.5 Peak Conducted Output Power**

#### **3.5.1 Applicable Standard**

FCC §15.255(e)

(e) Except as specified paragraph (e)(1) of this section, the peak transmitter conducted output power shall not exceed 500 mW. Depending on the gain of the antenna, it may be necessary to operate the intentional radiator using a lower peak transmitter output power in order to comply with the EIRP limits specified in paragraph (b) of this section.

#### **3.5.2 Test Procedure**

Refer to ANSI C63.10-2013 Clause 9.7: equation to calculate power output.

### 3.6 Frequency Stability

#### 3.6.1 Applicable Standard

FCC §15.255(f)

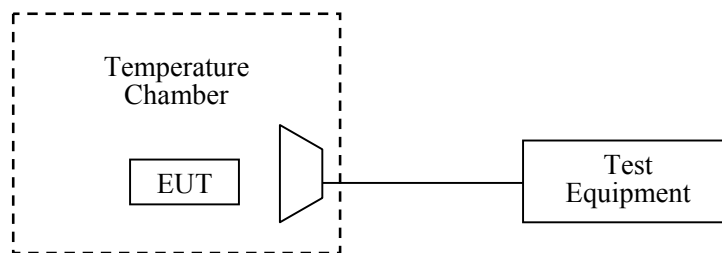
(f) Frequency stability. Fundamental emissions must be contained within the frequency bands specified in this section during all conditions of operation. Equipment is presumed to operate over the temperature range  $-20$  to  $+50$  degrees Celsius with an input voltage variation of 85% to 115% of rated input voltage, unless justification is presented to demonstrate otherwise.

#### 3.6.2 Test Procedure

Frequency Stability vs. Temperature: The equipment under test was connected to an power source. The EUT was placed inside the temperature chamber. Place the Horn antenna inside the temperature chamber. Place the EUT antenna toward the Horn antenna.

After the temperature stabilized for approximately 20 minutes, the frequency output was recorded from the communication test set.

Frequency Stability vs. Voltage: An external variable DC power supply was connected to the equipment under test. The voltage was set from 85% to 115% of the nominal value. The output frequency was recorded for each voltage.



### **3.7 Operation Restriction and Group Installtion**

#### **3.7.1 Applicable Standard**

§15.255 (a) Operation under the provisions of this section is not permitted for the following products:

- (1) Equipment used on aircraft or satellites.
- (2) Field disturbance sensors, including vehicle radar systems, unless the field disturbance sensors are employed for fixed operation. For the purposes of this section, the reference to fixed operation includes field disturbance sensors installed in fixed equipment, even if the sensor itself moves within the equipment.

§15.255 (h) Any transmitter that has received the necessary FCC equipment authorization under the rules of this chapter may be mounted in a group installation for simultaneous operation with one or more other transmitter(s) that have received the necessary FCC equipment authorization, without any additional equipment authorization. However, no transmitter operating under the provisions of this section may be equipped with external phase-locking inputs that permit beam-forming arrays to be realized.

#### **3.7.2 Result of Operation Restriction**

The Manufacturer declared that the EUT will not be advertised or sold for use on aircraft or satellites. The user manual includes a statement that cautions users that it is not permitted to use the product on aircraft or satellites.

#### **3.7.3 Result of Group installation**

The frequency, amplitude and phase of the transmit signal are set within the EUT. There are no external phase-locking inputs or any other means of combining two or more units together to realize a beam-forming array

### **3.8 Antenna Requirement**

#### **3.8.1 Applicable Standard**

FCC §15.203

An intentional radiator shall be designed to ensure that no antenna other than that furnished by the responsible party shall be used with the device. The use of a permanently attached antenna or of an antenna that uses a unique coupling to the intentional radiator shall be considered sufficient to comply with the provisions of this section. The manufacturer may design the unit so that a broken antenna can be replaced by the user, but the user of a standard antenna jack or electrical connector is prohibited. The structure and application of the EUT were analyzed to determine compliance with section §15.203 of the rules. §15.203 state that the subject device must meet the following criteria:

- a. Antenna must be permanently attached to the unit.
- b. Antenna must use a unique type of connector to attach to the EUT.
- c. Unit must be professionally installed, and installer shall be responsible for verifying that the correct antenna is employed with the unit.

#### **3.8.2 Judgment**

Please refer to the Antenna Information detail in Section 1.

## 4. TEST DATA AND RESULTS

### 4.1 AC Line Conducted Emissions

Serial Number:	1Z8K	Test Date:	2023/2/22
Test Site:	CE	Test Mode:	Transmitting(High frequency was the worst)
Tester:	Bob Yang	Test Result:	Pass

#### Environmental Conditions:

Temperature: (°C)	24	Relative Humidity: (%)	44	ATM Pressure: (kPa)	102.4
----------------------	----	---------------------------	----	------------------------	-------

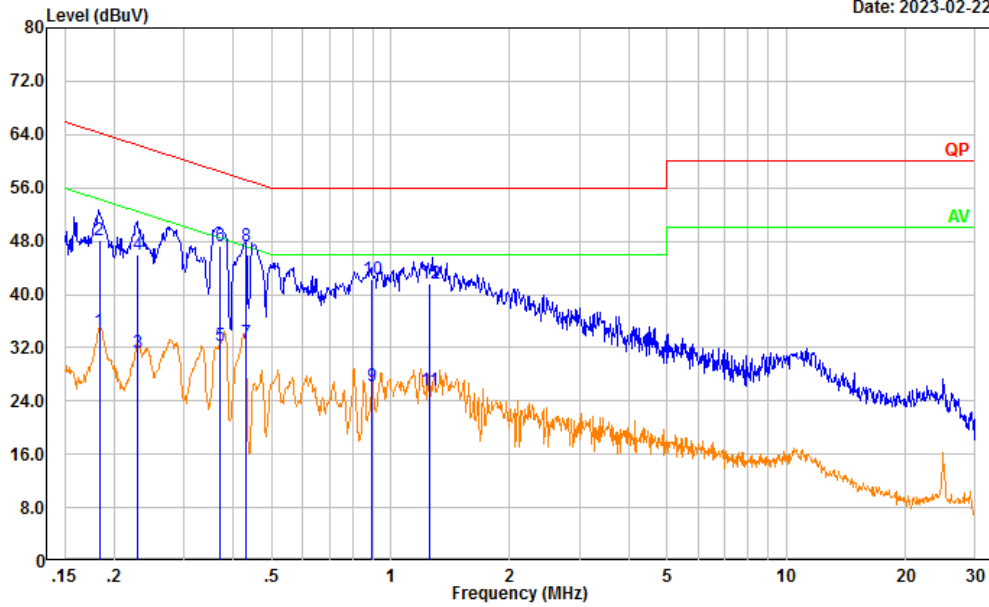
#### Test Equipment List and Details:

Manufacturer	Description	Model	Serial Number	Calibration Date	Calibration Due Date
R&S	LISN	ENV216	101134	2022/04/01	2023/03/31
R&S	EMI Test Receiver	ESR3	102726	2022/07/15	2023/07/14
MICRO-COAX	Coaxial Cable	UTIFLEX	C-0200-01	2022/08/07	2023/08/06
Audix	Test Software	E3	190306 (V9)	N/A	N/A

\* Statement of Traceability: China Certification ICT Co., Ltd (Dongguan) attests that all calibrations have been performed, traceable to National Primary Standards and International System of Units (SI).

Test Mode: Transmitting  
 Port: Line  
 Note:

Date: 2023-02-22

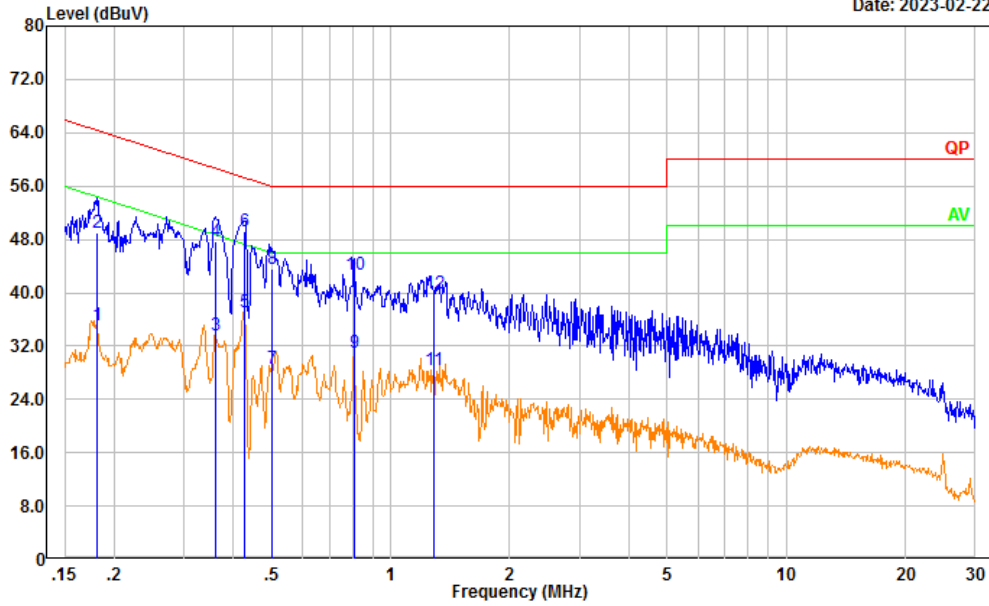


No.	Frequency (MHz)	Reading (dBμV)	Factor (dB)	Result (dBμV)	Limit (dBμV)	Margin (dB)	Detector
1	0.183	24.79	9.61	34.40	54.33	19.93	Average
2	0.183	38.49	9.61	48.10	64.33	16.23	QP
3	0.229	21.71	9.61	31.32	52.47	21.15	Average
4	0.229	36.31	9.61	45.92	62.47	16.55	QP
5	0.370	22.78	9.61	32.39	48.51	16.12	Average
6	0.370	37.73	9.61	47.34	58.51	11.17	QP
7	0.430	23.09	9.61	32.70	47.25	14.55	Average
8	0.430	37.56	9.61	47.17	57.25	10.08	QP
9	0.897	16.64	9.62	26.26	46.00	19.74	Average
10	0.897	32.68	9.62	42.30	56.00	13.70	QP
11	1.251	16.06	9.62	25.68	46.00	20.32	Average
12	1.251	31.90	9.62	41.52	56.00	14.48	QP



Test Mode: Transmitting  
 Port: neutral  
 Note:

Date: 2023-02-22



No.	Frequency (MHz)	Reading (dBμV)	Factor (dB)	Result (dBμV)	Limit (dBμV)	Margin (dB)	Detector
1	0.181	25.48	9.61	35.09	54.45	19.36	Average
2	0.181	39.39	9.61	49.00	64.45	15.45	QP
3	0.361	24.07	9.61	33.68	48.70	15.02	Average
4	0.361	38.06	9.61	47.67	58.70	11.03	QP
5	0.426	27.44	9.61	37.05	47.33	10.28	Average
6	0.426	39.53	9.61	49.14	57.33	8.19	QP
7	0.500	18.99	9.61	28.60	46.00	17.40	Average
8	0.500	33.98	9.61	43.59	56.00	12.41	QP
9	0.807	21.37	9.62	30.99	46.00	15.01	Average
10	0.807	33.09	9.62	42.71	56.00	13.29	QP
11	1.286	18.83	9.62	28.45	46.00	17.55	Average
12	1.286	30.23	9.62	39.85	56.00	16.15	QP

**4.2 Radiation Spurious Emissions**

Serial Number:	1Z8K	Test Date:	2023/2/21 ~2023/3/15
Test Site:	966-1, 966-2	Test Mode:	Transmitting
Tester:	Vic Du, coco Tian	Test Result:	Pass

**Environmental Conditions:**

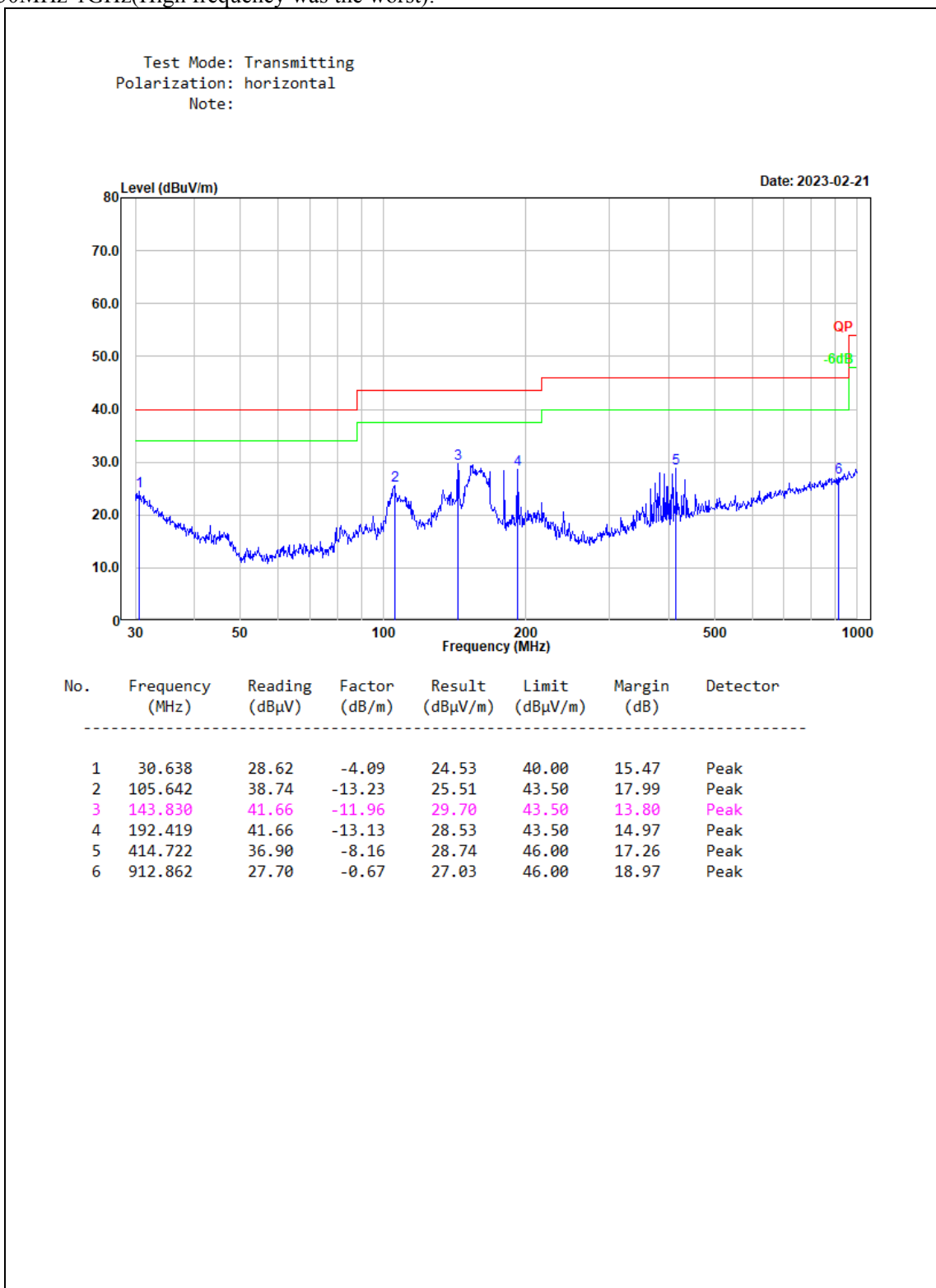
Temperature: (°C)	24.4~24.8	Relative Humidity: (%)	51~54	ATM Pressure: (kPa)	101.7~102.2
----------------------	-----------	---------------------------	-------	------------------------	-------------

**Test Equipment List and Details:**

Manufacturer	Description	Model	Serial Number	Calibration Date	Calibration Due Date
Sunol Sciences	Antenna	JB6	A082520-5	2020/10/19	2023/10/18
R&S	EMI Test Receiver	ESR3	102724	2022/07/15	2023/07/14
TIMES MICROWAVE	Coaxial Cable	LMR-600-UltraFlex	C-0470-02	2022/07/17	2023/07/16
TIMES MICROWAVE	Coaxial Cable	LMR-600-UltraFlex	C-0780-01	2022/07/17	2023/07/16
Sonoma	Amplifier	310N	186165	2022/07/17	2023/07/16
Audix	Test Software	E3	201021 (V9)	N/A	N/A
ETS-Lindgren	Horn Antenna	3115	9912-5985	2020-10-13	2023-10-12
R&S	Spectrum Analyzer	FSV40	101591	2022-07-15	2023-07-14
MICRO-COAX	Coaxial Cable	UFA210A-1-1200-70U300	217423-008	2022-08-07	2023-08-06
MICRO-COAX	Coaxial Cable	UFA210A-1-2362-300300	235780-001	2022-08-07	2023-08-06
Mini	Pre-amplifier	ZVA-183-S+	5969001149	2022/11/09	2023/11/08
PASTERNAK	Horn Antenna	PE9852/2F-20	112002	2021-02-05	2024-02-04
Quinstar	Preamplifier	QLW-18405536-JO	15964001005	2022/9/16	2023/9/15
MICRO-COAX	Coaxial Cable	UFB142A-1-2362-200200	235772-001	2022-08-07	2023-08-06
PASTERNAK	Horn Antenna	PE9850/2F-20	072001	2021-02-05	2024-02-04
OML	Harmonic Mixer	WR19/M19HWD	U60314-1	2020-10-16	2023-10-15
OML	Horn Antenna	M19RH	11648-03	2020-10-16	2023-10-15
OML	Harmonic Mixer	WR12/M12HWD	E60119-1	2020-10-17	2023-10-16
OML	Horn Antenna	M12RH	E60119-2	2020-10-18	2023-10-17
OML	Harmonic Mixer	WR08/M08HWD	F60315-1	2020-10-22	2023-10-21
OML	Horn Antenna	M08RH	F60315-2	2020-10-24	2023-10-23
OML	Harmonic Mixer	WR05/M05HWD	G60107-1	2020-10-25	2023-10-24
OML	Horn Antenna	M05RH	G60107-2	2020-10-26	2023-10-25

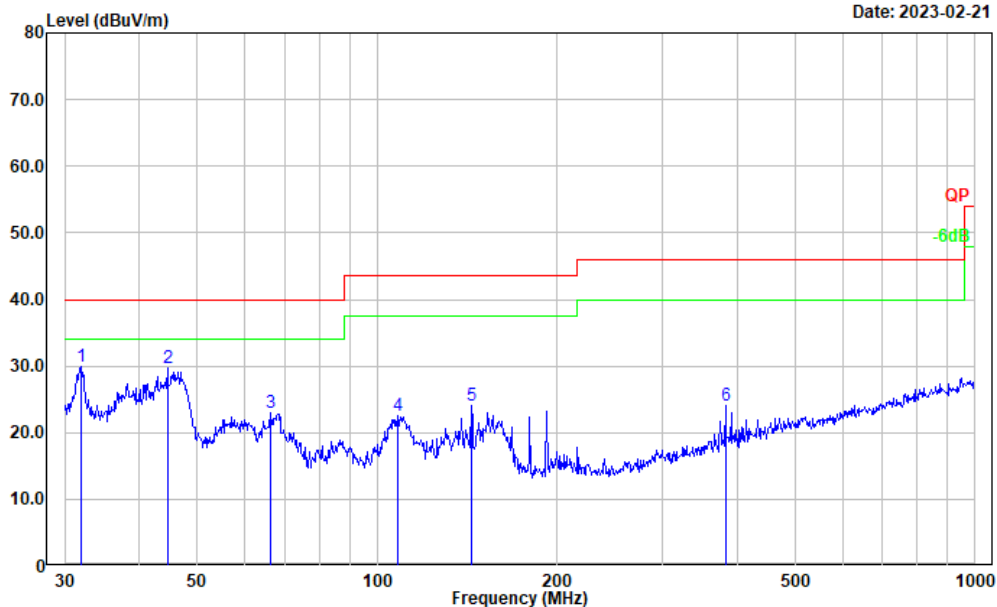
\* Statement of Traceability: China Certification ICT Co., Ltd (Dongguan) attests that all calibrations have been performed, traceable to National Primary Standards and International System of Units (SI).

1) 30MHz-1GHz(High frequency was the worst):



Test Mode: Transmitting  
 Polarization: vertical  
 Note:

Date: 2023-02-21



No.	Frequency (MHz)	Reading (dBμV)	Factor (dB/m)	Result (dBμV/m)	Limit (dBμV/m)	Margin (dB)	Detector
1	31.955	34.93	-5.08	29.85	40.00	10.15	Peak
2	44.587	43.78	-14.00	29.78	40.00	10.22	Peak
3	66.266	39.85	-16.84	23.01	40.00	16.99	Peak
4	108.267	35.26	-12.64	22.62	43.50	20.88	Peak
5	143.830	36.08	-11.96	24.12	43.50	19.38	Peak
6	382.588	33.03	-9.05	23.98	46.00	22.02	Peak

## 2) 1GHz-40GHz:

Frequency (MHz)	Receiver		Polar (H/V)	Factor (dB/m)	Result (dB $\mu$ V/m)	Limit (dB $\mu$ V/m)	Margin (dB)
	Reading (dB $\mu$ V)	Detector					
Low Channel: 61.25 GHz							
2462.29	38.88	PK	H	3.63	42.51	74.00	31.49
2462.29	26.44	AV	H	3.63	30.07	54.00	23.93
2441.88	36.40	PK	V	3.61	40.01	74.00	33.99
2441.88	24.20	AV	V	3.61	27.81	54.00	26.19
20292.06	51.76	PK	H	5.62	57.38	74.00	16.62
20292.06	39.38	AV	H	5.62	45.00	54.00	9.00
25144.93	50.99	PK	V	7.41	58.40	74.00	15.60
25144.83	38.50	AV	V	7.41	45.91	54.00	8.09
31625.63	52.28	PK	H	11.19	57.45	74.00	16.55
31625.63	40.14	AV	H	11.19	45.31	54.00	8.69
33664.53	51.77	PK	V	15.04	60.79	74.00	13.21
33664.53	39.39	AV	V	15.04	48.41	54.00	5.59
Middle Channel: 61.35 GHz							
2317.36	37.12	PK	H	3.19	40.31	74.00	33.69
2317.36	25.06	AV	H	3.19	28.25	54.00	25.75
2673.41	36.25	PK	V	4.57	40.82	74.00	33.18
2673.41	24.13	AV	V	4.57	28.70	54.00	25.30
23045.74	51.02	PK	H	6.24	57.26	74.00	16.74
23045.74	39.01	AV	H	6.24	45.25	54.00	8.75
26274.00	50.48	PK	V	7.08	57.56	74.00	16.44
26274.00	38.24	AV	V	7.08	45.32	54.00	8.68
36426.12	51.46	PK	H	13.39	58.83	74.00	15.17
36426.12	39.23	AV	H	13.39	46.60	54.00	7.40
35781.47	50.44	PK	V	12.56	56.98	74.00	17.02
35781.47	38.22	AV	V	12.56	44.76	54.00	9.24
High Channel: 61.47 GHz							
2581.37	36.42	PK	H	4.14	40.56	74.00	33.44
2581.37	24.21	AV	H	4.14	28.35	54.00	25.65
2419.45	36.78	PK	V	3.57	40.35	74.00	33.65
2419.45	24.39	AV	V	3.57	27.96	54.00	26.04
19784.36	50.46	PK	H	5.45	55.91	74.00	18.09
19784.36	38.23	AV	H	5.45	43.68	54.00	10.32
21435.06	51.33	PK	V	5.12	56.45	74.00	17.55
21435.06	39.17	AV	V	5.12	44.29	54.00	9.71
33528.47	50.12	PK	H	15.34	59.44	74.00	14.56
33528.47	38.06	AV	H	15.34	47.38	54.00	6.62
37435.13	50.02	PK	V	15.96	59.96	74.00	14.04
37435.13	38.01	AV	V	15.96	47.95	54.00	6.05

**3) 40GHz-200GHz:**

Frequency (GHz)	Receiver		Polar (H/V)	Factor (dB/m)	Field Strength (dB $\mu$ V/m)	Power Density (pW/cm <sup>2</sup> )	Limit (pW/cm <sup>2</sup> )
	Reading (dB $\mu$ V)	Detector					
Low Channel: 61.25 GHz							
48.650	46.95	PK	H	40.14	77.55	15.09	90.00
49.320	47.85	PK	V	40.24	78.55	19.00	90.00
88.340	44.87	PK	H	44.90	80.23	27.97	90.00
89.010	46.32	PK	V	44.98	81.76	39.78	90.00
121.540	48.62	PK	H	48.09	81.15	34.57	90.00
118.950	48.77	PK	V	47.97	81.18	34.84	90.00
188.320	48.52	PK	H	51.01	83.97	66.17	90.00
187.600	48.96	PK	V	50.98	84.38	72.72	90.00
Middle Channel: 61.35 GHz							
47.950	47.66	PK	H	40.03	78.15	17.32	90.00
48.510	48.02	PK	V	40.12	78.60	19.22	90.00
89.620	45.62	PK	H	45.06	81.14	34.49	90.00
88.520	46.22	PK	V	44.92	81.60	38.34	90.00
120.300	47.85	PK	H	48.03	80.32	28.55	90.00
118.650	48.66	PK	V	47.96	81.06	33.86	90.00
189.620	47.84	PK	H	51.06	83.34	57.23	90.00
185.240	48.51	PK	V	50.87	83.82	63.92	90.00
High Channel: 61.47 GHz							
47.150	47.52	PK	H	39.91	77.89	16.32	90.00
47.240	48.16	PK	V	39.92	78.54	18.95	90.00
88.320	45.28	PK	H	44.90	80.64	30.74	90.00
87.960	46.21	PK	V	44.85	81.52	37.64	90.00
112.540	47.25	PK	H	47.69	79.38	23.00	90.00
113.650	49.62	PK	V	47.74	81.80	40.15	90.00
190.620	47.51	PK	H	51.11	83.06	53.66	90.00
189.640	47.91	PK	V	51.07	83.42	58.30	90.00

Note:

Factor = Antenna Factor

Field Strength = Reading + Factor + 20log( $d_{Meas}/d_{SpecLimit}$ )

$d_{Meas}$  is the measurement distance, in m

$d_{SpecLimit}$  is the distance specified by the limit, in m

$$PD = \frac{E_{SpecLimit}^2}{377}$$

where

PD is the power density at the distance specified by the limit, in W/m<sup>2</sup>

$E_{SpecLimit}$  is the field strength at the distance specified by the limit, in V/m

The Specified distance is 3m.

Frequency (GHz)	Receiver		Polar (H/V)	Factor (dB/m)	Field Strength (dB $\mu$ V/m)	EIRP (dBm)	Limit (dBm)
	Reading (dB $\mu$ V)	Detector					
61.000	47.62	PK	V	42.07	80.15	-15.05	13.00
61.000	48.66	AV	V	42.07	81.19	-14.01	10.00
61.500	49.35	PK	V	42.14	81.95	-13.25	13.00
61.500	50.26	AV	V	42.14	82.86	-12.34	10.00

*Note:*

*Factor = Antenna Factor*

*Field Strength = Reading + Factor + 20log( $d_{Meas}/d_{SpecLimit}$ )*

*$d_{Meas}$  is the measurement distance, in m*

*$d_{SpecLimit}$  is the distance specified by the limit, in m*

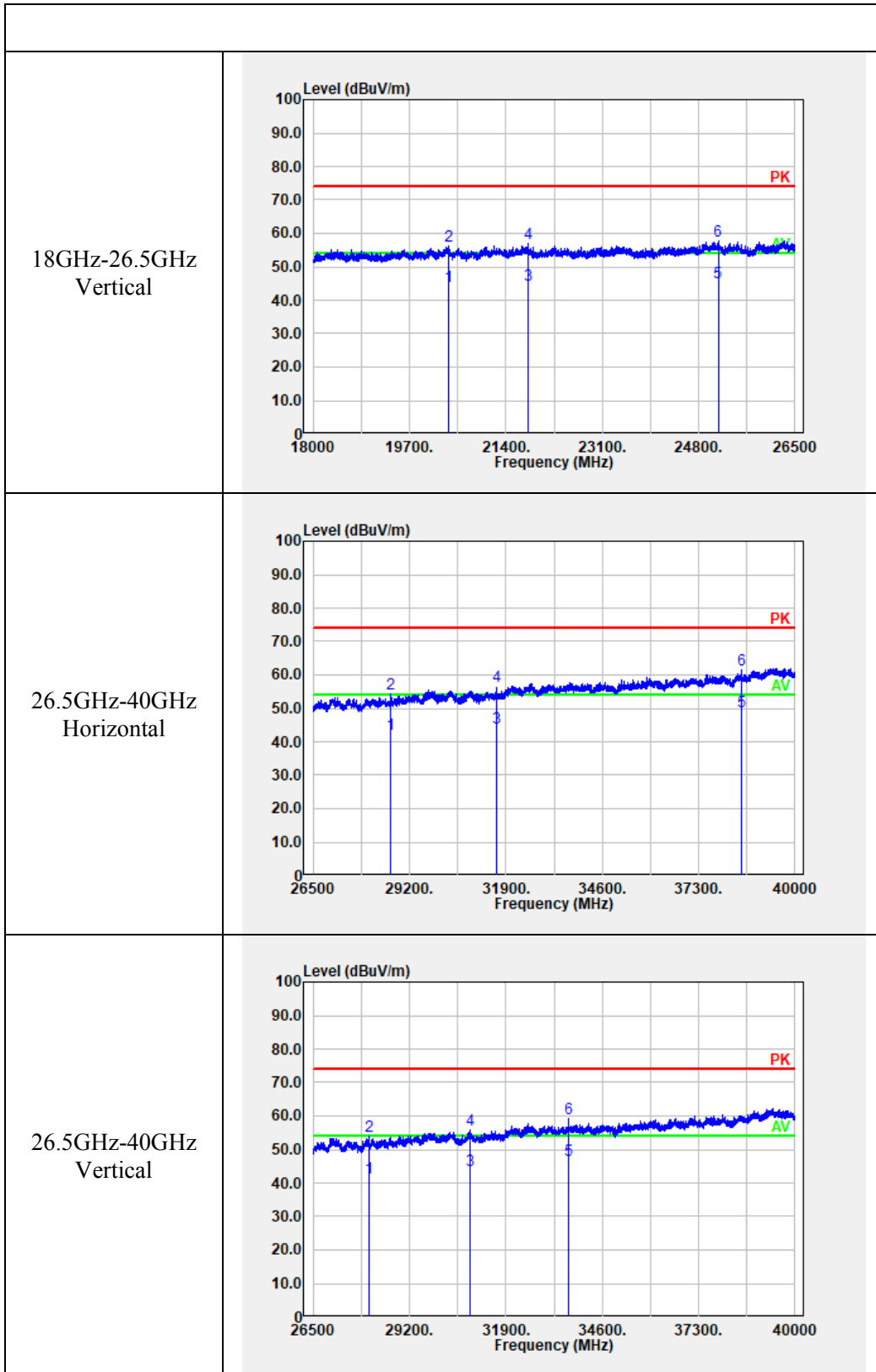
*EIRP = Field Strength - 95.2*

*The Specified distance is 3m.*

**Test Plots(Low Channel )**

<p>1GHz-18GHz Horizontal</p>	
<p>1GHz-18GHz Vertical</p>	
<p>18GHz-26.5GHz Horizontal</p>	





**4.3 Emission Bandwidth:**

Serial Number:	1Z8K	Test Date:	2023/3/15
Test Site:	966-1	Test Mode:	Transmitting
Tester:	coco Tian	Test Result:	Pass

Environmental Conditions:					
Temperature: (°C)	24.8	Relative Humidity: (%)	51	ATM Pressure: (kPa)	101.7

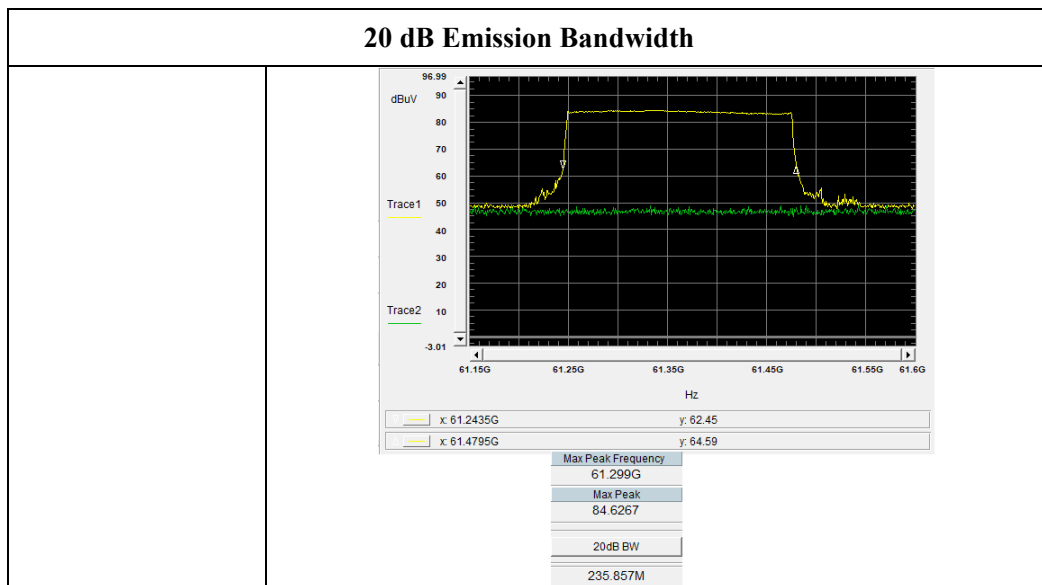
**Test Equipment List and Details:**

Manufacturer	Description	Model	Serial Number	Calibration Date	Calibration Due Date
R&S	Spectrum Analyzer	FSV40	101943	2022-10-10	2023-10-09
Agilent	Harmonic Mixer	Agilent 11970V	2521A01768	2020-11-08	2023-11-07
Flann Microwave	Horn Antenna	861V/385	738	2020-11-08	2023-11-07

*\* Statement of Traceability: China Certification ICT Co., Ltd (Dongguan) attests that all calibrations have been performed, traceable to National Primary Standards and International System of Units (SI).*

**Test Data:**

Test Frequency (MHz)	20dB Emission Bandwidth (GHz)
61372	0.236



**4.4 Equivalent Isotropically Radiated Power (EIRP):**

Serial Number:	1Z8K	Test Date:	2023/3/15
Test Site:	966-1	Test Mode:	Transmitting
Tester:	coco Tian	Test Result:	Pass

**Environmental Conditions:**

Temperature: (°C)	24.8	Relative Humidity: (%)	51	ATM Pressure: (kPa)	101.7
----------------------	------	---------------------------	----	---------------------------	-------

**Test Equipment List and Details:**

Manufacturer	Description	Model	Serial Number	Calibration Date	Calibration Due Date
Flann Microwave	Horn Antenna	861V/385	738	2020-11-08	2023-11-07
millitech	RF Detector	DET-15-RPFW0	A18521	2022-12-15	2023-12-15
Tektronix	Digital Phosphor Oscilloscope	TDS 3054	B015264	2023-01-05	2024-01-04

*\* Statement of Traceability: China Certification ICT Co., Ltd (Dongguan) attests that all calibrations have been performed, traceable to National Primary Standards and International System of Units (SI).*

**Test Data:**

Frequency (GHz)	DSO		Polar (H/V)	Substituted Level (dBm)	Antenna Gain (dBi)	EIRP (dBm)	Limit (dBm)
	Reading (mV)	Detector					
61.25	107.00	PK	V	-11.68	24.00	32.62	43.00
61.25	0.26	AV	V	-37.82	24.00	6.48	40.00
61.35	98.65	PK	V	-12.02	24.00	32.29	43.00
61.35	0.21	AV	V	-38.65	24.00	5.66	40.00
61.47	120.13	PK	V	-11.28	24.00	31.51	43.00
61.47	0.28	AV	V	-37.45	24.00	6.88	40.00

$$EIRP = E_{meas} + 20\log(\text{Measurement distance}) - 104.7$$

$$E_{meas} = 126.8 - 20\log(\lambda) + \text{Substituted level} - \text{Antenna Gain}$$

$$\text{Measurement distance} = 1m$$

**4.6 Peak Conducted Output Power:**

Serial Number:	1Z8K	Test Date:	2023/3/15
Test Site:	966-1	Test Mode:	Transmitting
Tester:	coco Tian	Test Result:	Pass

**Environmental Conditions:**

Temperature: (°C)	24.8	Relative Humidity: (%)	51	ATM Pressure: (kPa)	101.7
----------------------	------	---------------------------	----	---------------------------	-------

**Test Equipment List and Details:**

Manufacturer	Description	Model	Serial Number	Calibration Date	Calibration Due Date
Flann Microwave	Horn Antenna	861V/385	738	2020-11-08	2023-11-07
millitech	RF Detector	DET-15-RPFW0	A18521	2022-12-15	2023-12-15
Tektronix	Digital Phosphor Oscilloscope	TDS 3054	B015264	2023-01-05	2024-01-04

*\* Statement of Traceability: China Certification ICT Co., Ltd (Dongguan) attests that all calibrations have been performed, traceable to National Primary Standards and International System of Units (SI).*

**Test Data:**

Frequency (GHz)	Peak EIPR Power (dBm)	Antenna Gain (dBi)	Peak Conducted Power (dBm)	Limit (dBm)	Margin (dB)
61.25	32.62	16.5	16.12	27	10.88
61.35	32.29	16.5	15.79	27	11.21
61.47	31.51	16.5	15.01	27	11.99

**4.5 Frequency Stability:**

Serial Number:	1Z8K	Test Date:	2023/3/15
Test Site:	966-1	Test Mode:	Transmitting
Tester:	coco Tian	Test Result:	Pass

**Environmental Conditions:**

Temperature: (°C)	24.8	Relative Humidity: (%)	51	ATM Pressure: (kPa)	101.7
----------------------	------	---------------------------	----	---------------------------	-------

**Test Equipment List and Details:**

Manufacturer	Description	Model	Serial Number	Calibration Date	Calibration Due Date
R&S	Spectrum Analyzer	FSV40	101943	2022-10-10	2023-10-09
Agilent	Harmonic Mixer	Agilent 11970V	2521A01768	2020-11-08	2023-11-07
Flann Microwave	Horn Antenna	861V/385	738	2020-11-08	2023-11-07
BACL	TEMP&HUMI Test Chamber	BTH-150-40	30174	2022-04-06	2023-04-05
UNI-T	Multimeter	UT39A+	C210582554	2022-09-29	2023-09-28

\* **Statement of Traceability:** China Certification ICT Co., Ltd (Dongguan) attests that all calibrations have been performed, traceable to National Primary Standards and International System of Units (SI).

**Test Data:**

Temperature	Voltage	Frequency (GHz)			
		$f_L$	$f_H$	$f_L$ Limit	$f_H$ Limit
°C	$V_{DC}$				
-20	5	61.24880	61.46590	57	71
-10	5	61.24920	61.46620	57	71
0	5	61.24930	61.46600	57	71
10	5	61.24900	61.46630	57	71
20	5	61.24900	61.46640	57	71
30	5	61.24930	61.46620	57	71
40	5	61.24910	61.46610	57	71
50	5	61.24930	61.46600	57	71
20	4.25	61.24890	61.46600	57	71
20	5.75	61.24900	61.46620	57	71

## 5. RF EXPOSURE EVALUATION

### 5.1 MAXIMUM PERMISSIBLE EXPOSURE (MPE)

#### 5.1.1 Applicable Standard

FCC §15.255(g) & §1.1310 & §2.1091

Regardless of the power density levels permitted under this subpart, devices operating under the provisions of this subpart are subject to the radiofrequency radiation exposure requirements specified in §§ 1.1307(b), 2.1091, and 2.1093 of this chapter, as appropriate. Applications for equipment authorization of devices operating under this section must contain a statement confirming compliance with these requirements for both fundamental emissions and unwanted emissions. Technical information showing the basis for this statement must be submitted to the Commission upon request.

Systems operating under the provisions of this section shall be operated in a manner that ensures that the public is not exposed to radio frequency energy levels in excess of the Commission's guidelines. See §1.1307(b)(1) of this chapter.

Limits for Maximum Permissible Exposure (MPE) (§1.1310, §2.1091)

<b>(B) Limits for General Population/Uncontrolled Exposure</b>				
<b>Frequency Range (MHz)</b>	<b>Electric Field Strength (V/m)</b>	<b>Magnetic Field Strength (A/m)</b>	<b>Power Density (mW/cm<sup>2</sup>)</b>	<b>Averaging Time (minutes)</b>
0.3–1.34	614	1.63	*(100)	30
1.34–30	824/f	2.19/f	*(180/f <sup>2</sup> )	30
30–300	27.5	0.073	0.2	30
300–1500	/	/	f/1500	30
1500–100,000	/	/	1.0	30

f = frequency in MHz; \* = Plane-wave equivalent power density;

According to §1.1310 and §2.1091 RF exposure is calculated.

#### 5.1.2 Procedure

Prediction of power density at the distance of the applicable MPE limit

$S = PG/4\pi R^2$  = power density (in appropriate units, e.g. mW/cm<sup>2</sup>);

P = power input to the antenna (in appropriate units, e.g., mW);

G = power gain of the antenna in the direction of interest relative to an isotropic radiator, the power gain factor, is normally numeric gain;

R = distance to the center of radiation of the antenna (appropriate units, e.g., cm);

## 5.2 Measurement Result

Frequency (GHz)	Antenna Gain		Conducted output power including Tune-up Tolerance		Evaluation Distance (cm)	Power Density (mW/cm <sup>2</sup> )	MPE Limit (mW/cm <sup>2</sup> )
	(dBi)	(numeric)	(dBm)	(mW)			
61.25-61.47	16.50	44.67	17	50.12	20	0.4454	1

*Note:*

*The Value of Maximum Conducted Power including Tune-up Tolerance was declared by the customer.*

**Result:** The device meet FCC MPE at 20 cm distance.

**===== END OF REPORT =====**