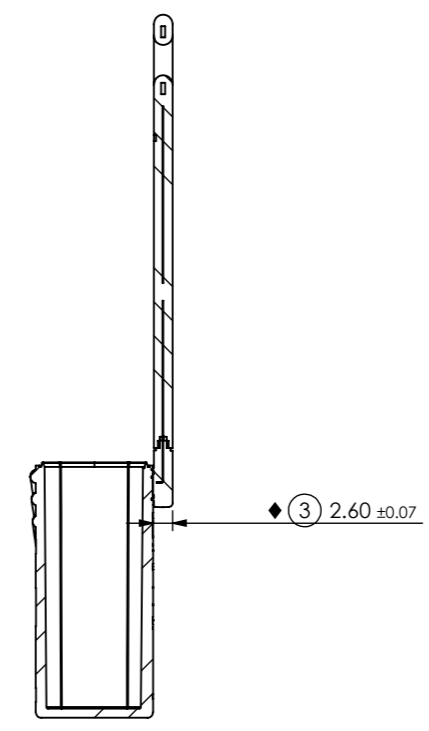
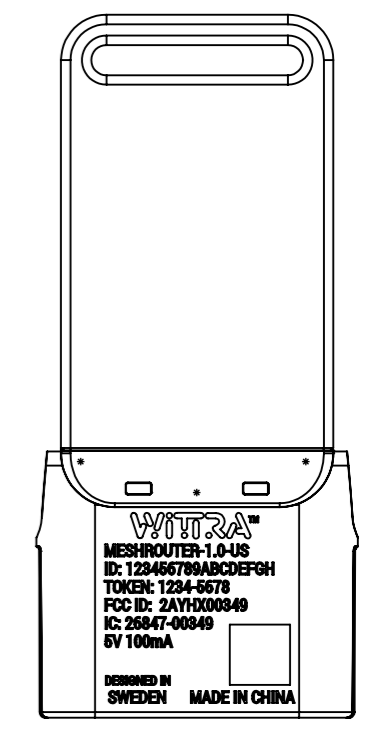


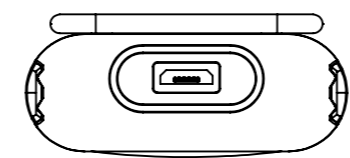
USW CONTROL DIMENSION



SECTION D-D



Dim3 measure location



USW CONTROL DIMENSION

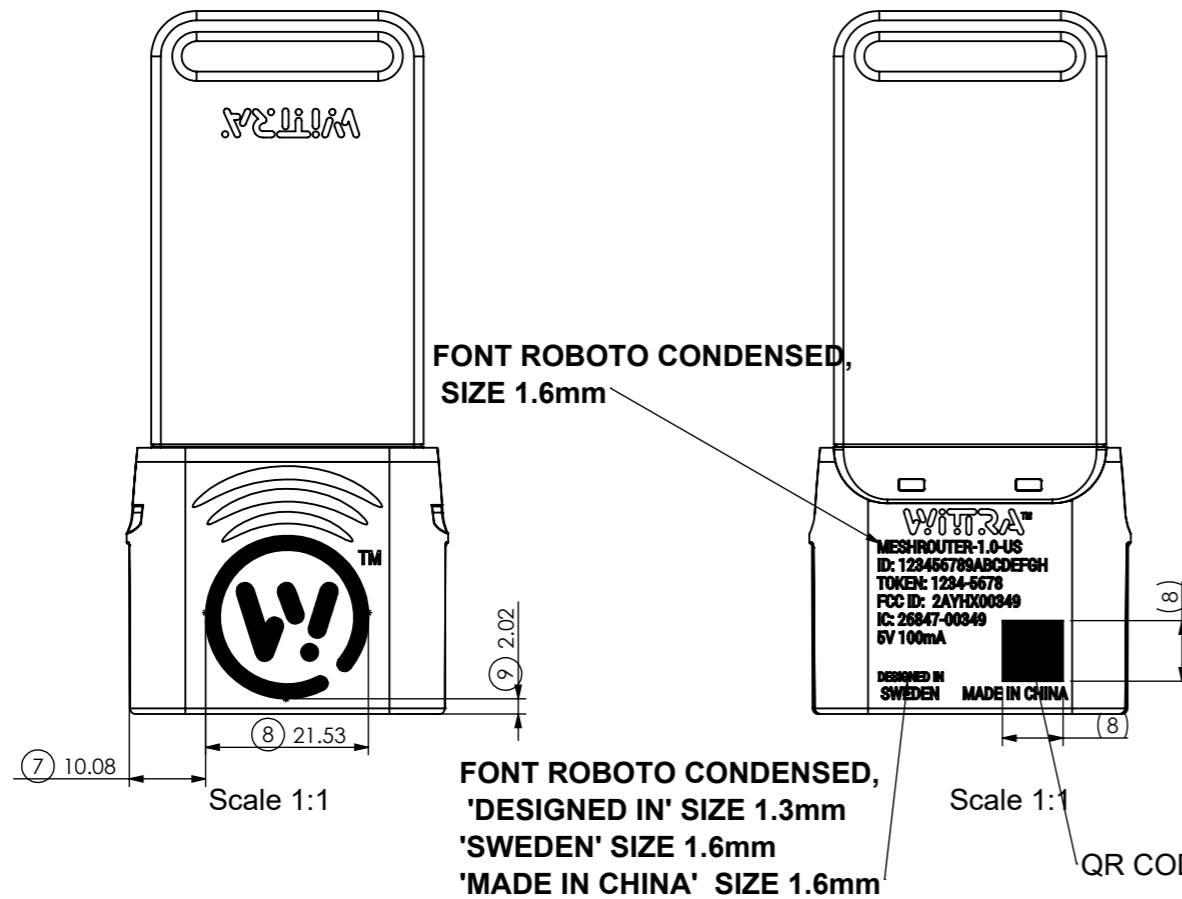
◆ (4) Miss match Max0.1mm all around

ITEM NO.	PART NUMBER	DESCRIPTION	
1	1000136 A2	Ground Plate-Tag	1
2	PL801730 Battery	Battery-Tag	1
3	1000156 A	Battery gasket	1
4	1000182 A1	Pin	2
5	1000152 A1	Front cover	1
6	S16G02_008	PCBA	1
7	1000352 A	Antenna Flex US	1
8	1000351 A	Battery Holder US	1

PRODUCT SPECIFIC NOTES:
 1. COSMETIC CLASS A SURFACE ON OUT SURFACE
 2. FLASH/OVER FLOW AFTER WELDING LESS THAN 0.1MM
 3. DIMENSION WITH ◆ IS CPK DIMENSION AND NEED ON GOING PROCESS CONTROL, CPK MIN1.33

MATERIAL		GENERAL SURFACE ROUGHNESS ISO 1302	
SURFACE TREATMENT		DIMENSIONS AND SURFACE ROUGHNESS APPLIED AFTER SURFACE TREATMENT UNLESS OTHERWISE STATED	
	FORMAT	DESIGNED BY / CHANGED BY	SHARP EDGES REMOVED UNLESS OTHERWISE STATED
	A3	MIKE LI	
	SCALE	APPROVED	GENERAL TOLERANCE
	1:1		PAGE
PRODUCT NAME		ORIGIN DATE	REVISION
MESHROUTER-1.0-US		4/30/2019	1 of 1
		REV DATE	
		5/11/2021	
		DOC - ID	
		1000349 B	

This document and its contents are the property of Stadium Group plc, and must not be copied, reproduced, transmitted or disclosed to any third party without the consent of us. Contravention will be prosecuted.



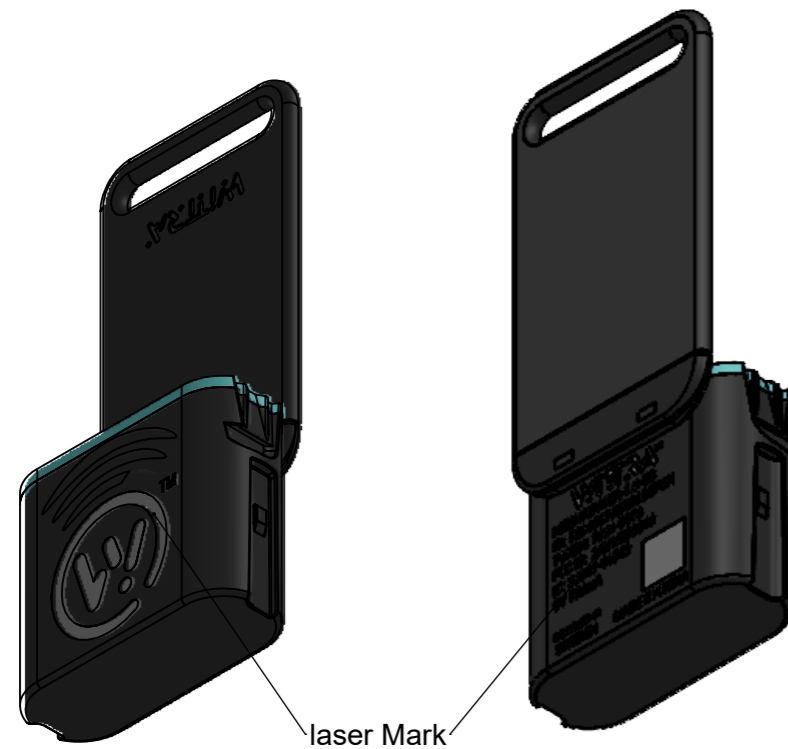
QR CODE INFORMATION:

QR CODE : INCLUDE PRODUCT SERIAL NUMBER, ID AND TOKEN, READING INFORMATION LIKE BELOW:

- ID AND TOKEN: ID WITH 17 CHARACTERS AND TOKEN WITH 8 CHARACTERS, FORMAT: AABCCDDEEFFGGHHI_1234-5678, AABCCDDEEFFGGHHI IS THE ID and 1234-5678 IS THE TOKEN.
 1. ID, AABCCDDEEFFGGHHI, ACTUAL ID ACCORDING TO TEST RESULT
 2. TOKEN: EXTRACTED FROM THE TAG TEST SOFTWARE, EXAMPLE SHOWN HAS 8 CHARACTERS, SAMPLE: 1234-5678
- SERIAL NUMBER:ABCDEFGHI_YYWWXXXXX
 1. SERIAL NUMBER
 - ABCDEFGHI, MODEL NAME: MESHROUTER-1.0-US,
 - YYWW: MANUFACTURE YEAR AND WEEK, 1942=2019 YEAR W42
 - XXXXX: FLOW CODE, START FROM 00001, ANY INFORMATION ABOVE CHANGED, THE FLOW CODE RESTART FROM 00001 AGAIN

READABLE INFORMATION

1. MESHROUTER-1.0-US, MODEL NAME AS FIXED INFORMATION
2. ID: THE ID HAS 17 CHARACTERS, SAMPLE: D00124B001CBD2623
3. TOKEN : 8 CHARACTERS, BASE32 FORMAT
4. FCC ID: FIXED INFORMATION, 2AYHX00349
5. IC: FIXED INFORMATION, 26847-00349



Permissible deviations in mm for ranges in nominal lengths	f (fine)
0.5 up to 3	±0.05
over 3 up to 6	±0.05
over 6 up to 30	±0.1
over 30 up to 120	±0.15
over 120 up to 400	±0.2
over 400 up to 1000	±0.3
over 1000 up to 2000	±0.5
over 2000 up to 4000	-

MATERIAL		GENERAL SURFACE ROUGHNESS ISO 1302	
SURFACE TREATMENT		DIMENSIONS AND SURFACE ROUGHNESS APPLIED AFTER SURFACE TREATMENT UNLESS OTHERWISE STATED	
	FORMAT	DESIGNED BY / CHANGED BY	SHARP EDGES REMOVED UNLESS OTHERWISE STATED
	A3	MIKE LI	GENERAL TOLERANCE
SCALE	2:1	APPROVED	PAGE
PRODUCT NAME		ORIGIN DATE	1 of 1
MESHROUTER-1.0-US		4/30/2019	REVISION
TT Electronics		REV DATE	5/11/2021
		DOC - ID	1000349 B

This document and its contents are the property of Stadium Group plc, and must not be copied, reproduced, transmitted or disclosed to any third party without the consent of us. Contravention will be prosecuted.