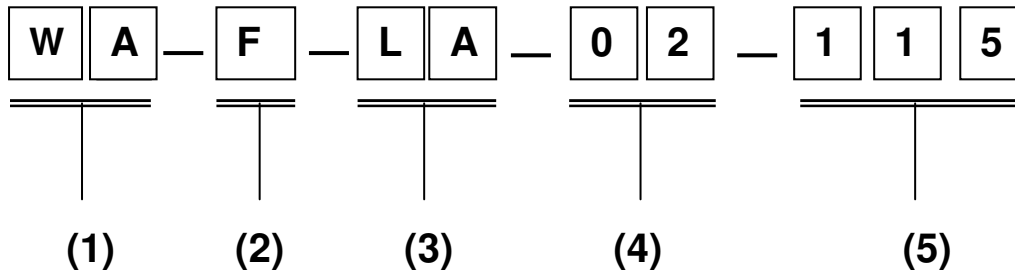


Embedded Single-Band Antenna for WA-F-LA-02-115

1. Explanation of part number :



- (1) Product Type : Wireless Antenna
- (2) Material : FPCB
- (3) Frequency/Band code : 2400-2500MHz
- (4) Coaxial Cable Type : Black
- (5) Suffix : 115

2. Electrical Specification :

Those specifications were specially defined for model **FIT3_BT** and all characteristics were measured under the model's handset testing jig.

2-1. Frequency Band :


Band	Frequency
BT	2400-2500MHz

2-2. Impedance :

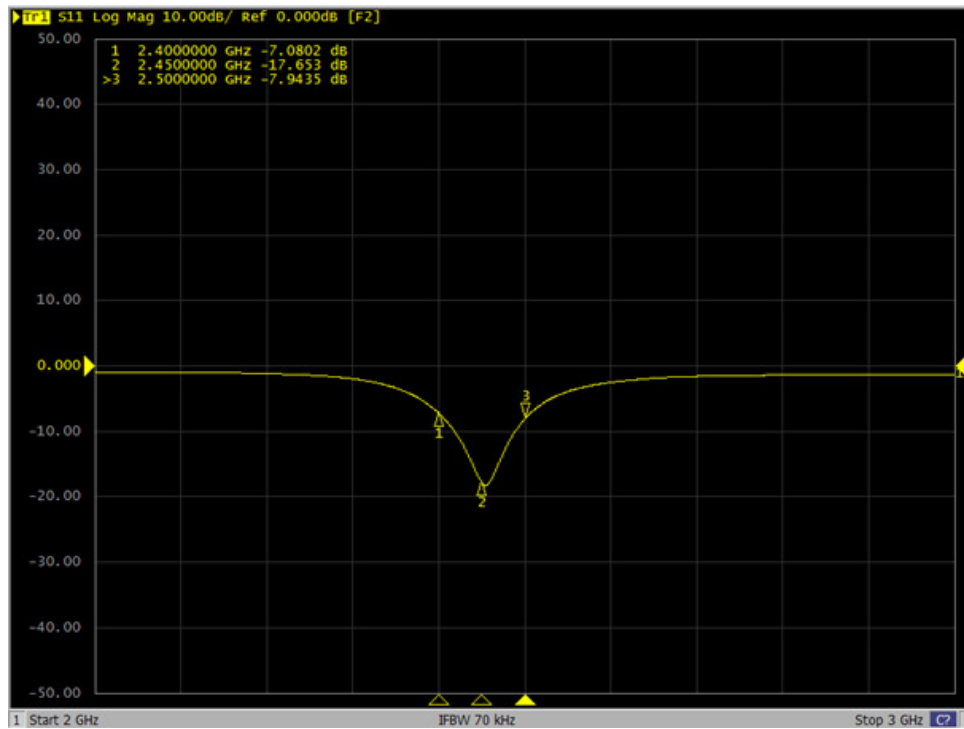
50 ohm nominal

2-3. Matching circuit :

None

UNLESS OTHER SPECIFIED TOLERANCES ON :			INPAQ TECHNOLOGY CO., LTD.	
X=N/A	X.X=N/A			
ANGLES=N/A		HOLEDIA=N/A		
SCALE : N/A	UNIT : mm			
DRAWN BY : 涂正憲	CHECKED BY : 鄭榮謀			
DESIGNED BY : 陳彥吉	APPROVED BY : 謝立庭			
TITLE : Embedded Single-Band Antenna for WA-F-LA-02-115		DOCUMENT NO.	ENS000168270	SPEC REV. A1

2-4. Return Loss :



2-5. Efficiency and peak gain :

Frequency (MHz)	Efficiency (%)	Average gain (dB)	Peak Gain (dBi)
2400	19.86	-7.02	-2.73
2410	19.82	-7.03	-2.58
2420	20.32	-6.92	-2.31
2430	21.68	-6.64	-2.14
2440	22.83	-6.41	-1.94
2450	23.91	-6.21	-1.72
2460	25.32	-5.97	-1.48
2470	24.71	-6.07	-1.77
2480	23.17	-6.35	-1.86
2490	18.66	-7.29	-2.73
2500	20.18	-6.95	-2.58

UNLESS OTHER SPECIFIED TOLERANCES ON :
X=N/A X.X=N/A X.XX=N/A
ANGLES=N/A HOLEDIA=N/A



INPAQ TECHNOLOGY CO., LTD.

SCALE : N/A

UNIT : mm

DRAWN BY : 涂正憲

CHECKED BY : 鄭榮謀

DESIGNED BY : 陳彥吉

APPROVED BY : 謝立庭

THIS DRAWINGS AND SPECIFICATIONS ARE THE PROPERTY OF INPAQ TECHNOLOGY CO.,LTD.AND SHALL NOT BE REPRODUCED OR USED AS THE BASIS FOR THE MANUFACTURE OR SALE OF APPARATUS OR DEVICES WITHOUT PERMISSION

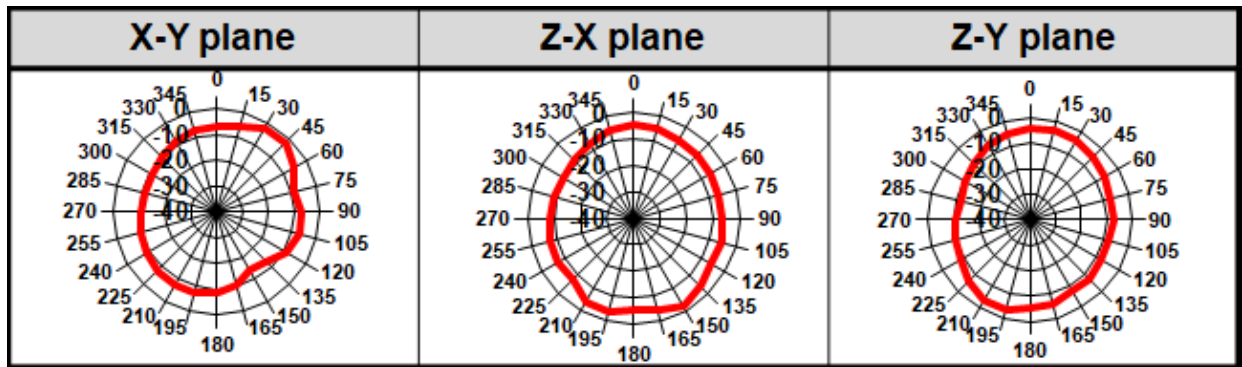
TITLE : Embedded Single-Band Antenna for
WA-F-LA-02-115

DOCUMENT
NO.

ENS000168270

SPEC REV.
A1

2-6. Radiation pattern :



UNLESS OTHER SPECIFIED TOLERANCES ON :
 X=N/A X.X=N/A X.XX=N/A
 ANGLES=N/A HOLEDIA=N/A



INPAQ TECHNOLOGY CO., LTD.

SCALE : N/A	UNIT : mm
DRAWN BY : 涂正憲	CHECKED BY : 鄭榮謀
DESIGNED BY : 陳彥吉	APPROVED BY : 謝立庭

THIS DRAWINGS AND SPECIFICATIONS ARE THE PROPERTY OF INPAQ TECHNOLOGY CO.,LTD.AND SHALL NOT BE REPRODUCED OR USED AS THE BASIS FOR THE MANUFACTURE OR SALE OF APPARATUS OR DEVICES WITHOUT PERMISSION

**TITLE : Embedded Single-Band Antenna for
WA-F-LA-02-115**

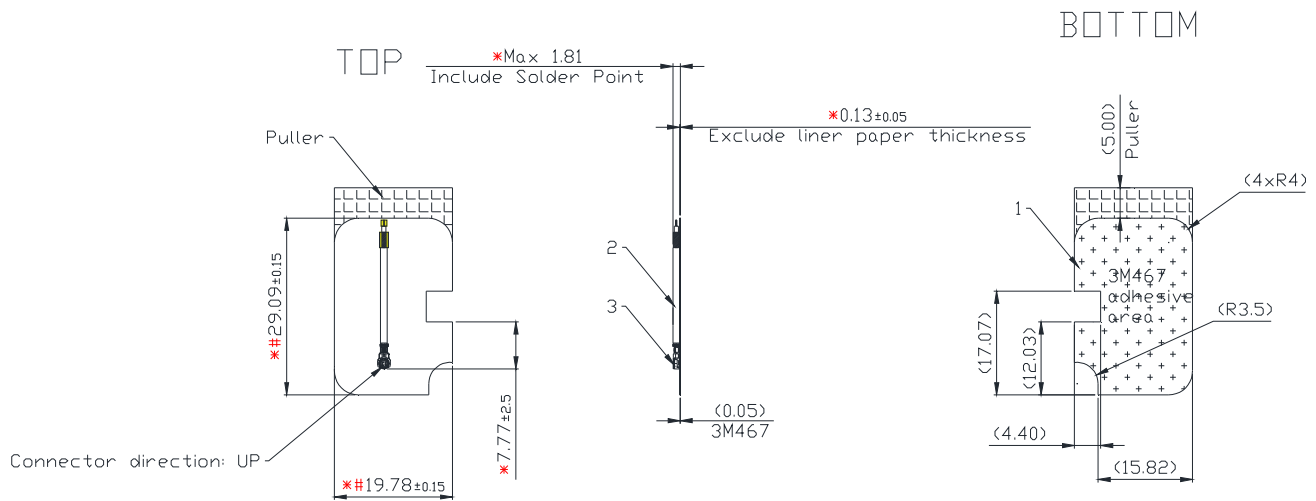
**DOCUMENT
NO.**

ENS000168270

SPEC REV.
A1

3. Mechanical Specification :

3.1 Mechanical Configuration :



- NOTE:
- 外觀標準:需完整無破損,不可有變形、髒污、毛邊、彎曲、裂縫、褶疊等情形。
Appearance standard: They must be complete. It means those must not have the deformations, dirt, burrs, warps, cracks, folds, etc.
 - 工程圖上"※"號為重點尺寸標註指示。
Mark "※" are the key dimensions.
 - 工程圖上"#"號為CPK量測尺寸標註指示。
Mark "#" are CPK dimensions.
 - DQC&FQC只需量測重點尺寸&CPK
CPK&KEY dimensions for DQC&FQC.

REV P0.A0

The appearance of the antenna is according to drawing Figure 3-1-1.

ITEM	DESCRIPTION	MATERIAL SPECIFICATION	QUANTITY	UNIT	SUPPLIER	UL NO
1	FPCB With Adhesive	L19.78*W29.09*0.13Tmm	1	PCS	HA1079	E523295
2	Cable	Ø1.13,Normal,Black	1	PCS	HA0008	E318898
3	Connector	I-PEX MHF-4L I-PEX Equivalent(compatible)	1	PCS	HA0063	E213445

UNLESS OTHER SPECIFIED TOLERANCES ON :
X=N/A X.X=N/A X.XX=N/A
ANGLES=N/A HOLEDIA=N/A



INPAQ TECHNOLOGY CO., LTD.

SCALE : N/A UNIT : mm
DRAWN BY : 涂正憲 CHECKED BY : 鄭榮謀
DESIGNED BY : 陳彥吉 APPROVED BY : 謝立庭

THIS DRAWINGS AND SPECIFICATIONS ARE THE PROPERTY OF INPAQ TECHNOLOGY CO.,LTD.AND SHALL NOT BE REPRODUCED OR USED AS THE BASIS FOR THE MANUFACTURE OR SALE OF APPARATUS OR DEVICES WITHOUT PERMISSION

TITLE : Embedded Single-Band Antenna for
WA-F-LA-02-115

DOCUMENT NO. **ENS000168270**

SPEC REV. **A1**