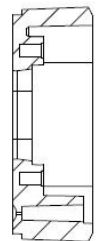
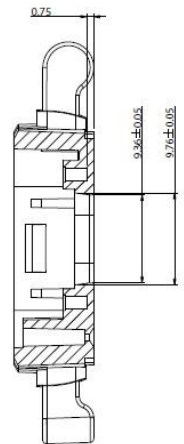
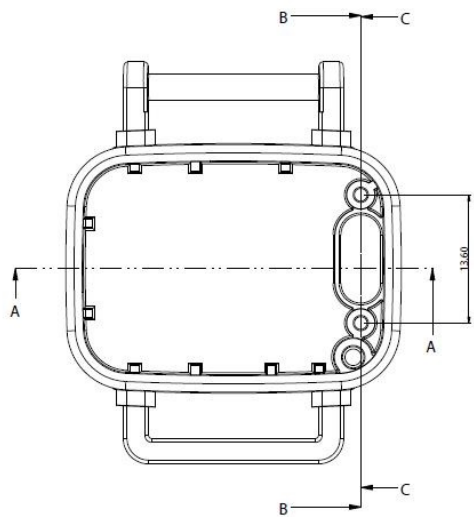


NOTES:  
(SEE SHEET 1 UNLESS OTHERWISE NOTED)

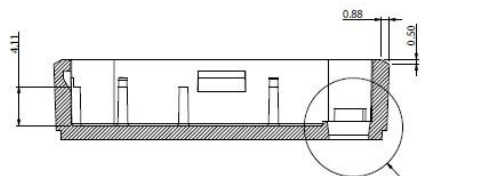
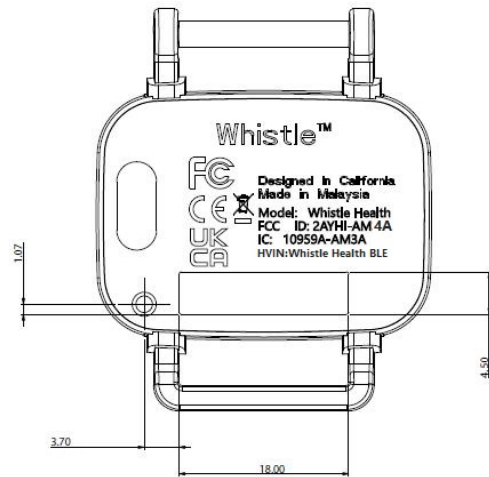
ZONE	REV	ECO NO	DESCRIPTION	REVISIONS	DRW	APPROVED	DATE
-	-	-	NEW SHEET	-	-	-	-



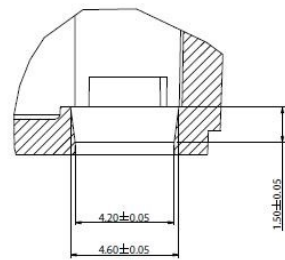
SECTION B-B



SECTION C-C



SECTION A-A



Detail A (10/1)

WHISTLE AND COMPASSION  
ARE REGISTERED TRADEMARKS OF WHISTLE HEALTH INC.  
ALL RIGHTS RESERVED. NO PART OF THIS DOCUMENT MAY BE REPRODUCED OR TRANSMITTED IN ANY FORM OR BY ANY MEANS, ELECTRONIC OR MECHANICAL, WITHOUT PERMISSION IN WRITING FROM WHISTLE HEALTH INC.  
THIS DOCUMENT IS UNCLASSIFIED UNLESS OTHERWISE INDICATED.  
THIS DOCUMENT SHALL NOT BE COMPILED, REPRODUCED, OR TRANSMITTED IN ANY FORM OR BY ANY MEANS, ELECTRONIC OR MECHANICAL, WITHOUT PERMISSION IN WRITING FROM WHISTLE HEALTH INC.

WHISTLE	
TITLE: W4M0 BOTTOM ASSEMBLY PLASTIC WITH OVERMOLDING V3	
SIZE: DWG. NO.	REV
D 112-30178-00	A
SCALE: 4:1	WEIGHT: SHEET 3 OF 3