

Lausanne, 25th of January 2021

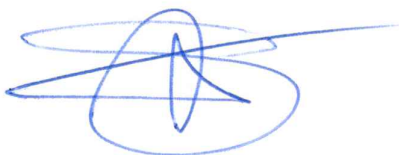
Official Statement – Physilog 6S BLE & RF Proprietary Protocol

This official statement verifies that BLE and the RF proprietary protocol communication used in Physilog 6S V1.0 are mutually exclusive. The radio proprietary protocol driver from the Physilog 6S V1.0 firmware is in charge of checking if the softdevice (the Bluetooth layer provided by NRF) is enabled or not. If it is enabled, the radio driver stops it before the RF proprietary protocol can start functioning. Therefore, for the SAR exclusion criteria calculation, the worst case between the BLE or the RF proprietary protocol must be considered.

Based on that, Physilog 6S V1.0 complies with the SAR exception limits for the FCC and IC given that the separation distance between the antenna and the human body is of at least 20 mm.

Note: The separation distance of 20 mm is calculated based on the following aspects:

- Belt case: 5 mm given thickness of the clothes and the belt + 20.95 mm given by the clip + 0.469 mm thickness of the PCB = 26.419 mm
- Shoe laces case: 6 mm given by the shoe (sports shoe) tongue + 3mm given by the shoe laces + 12.73 mm given by the shoe fixation clip + 0.469 mm given by the thickness of the PCB = 22.22 mm

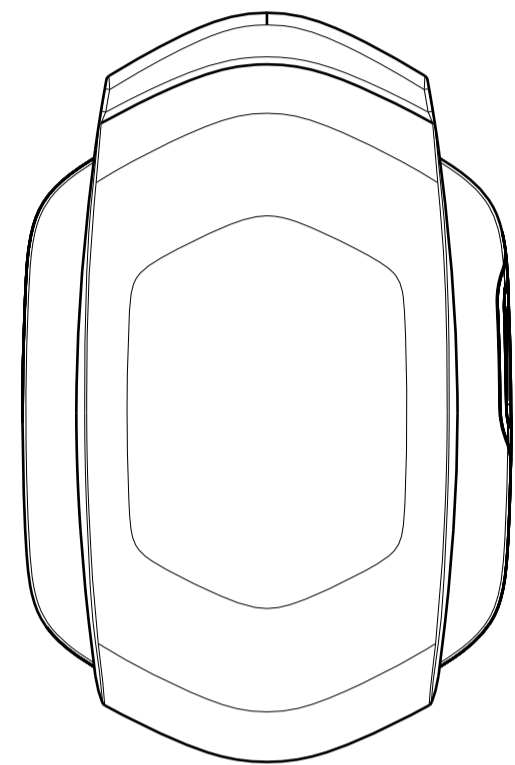


mindmaze
Chemin de Roseneck 5
CH - 1006 Lausanne
+41 21 552 08 01

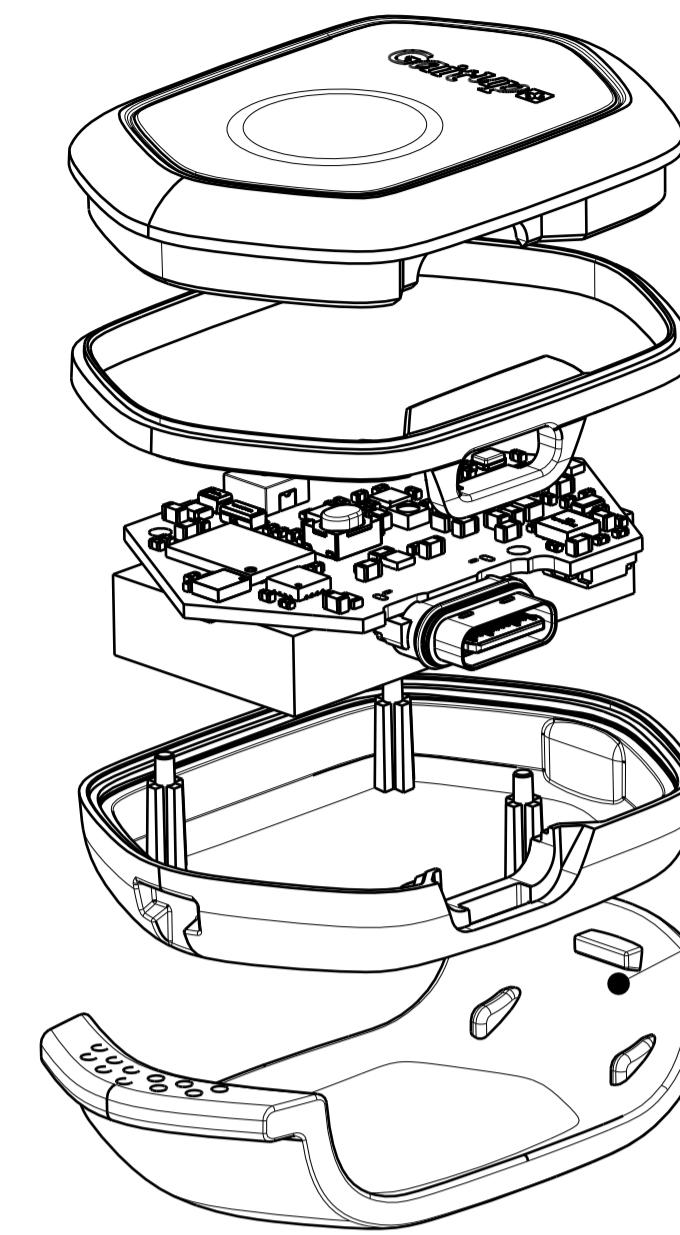
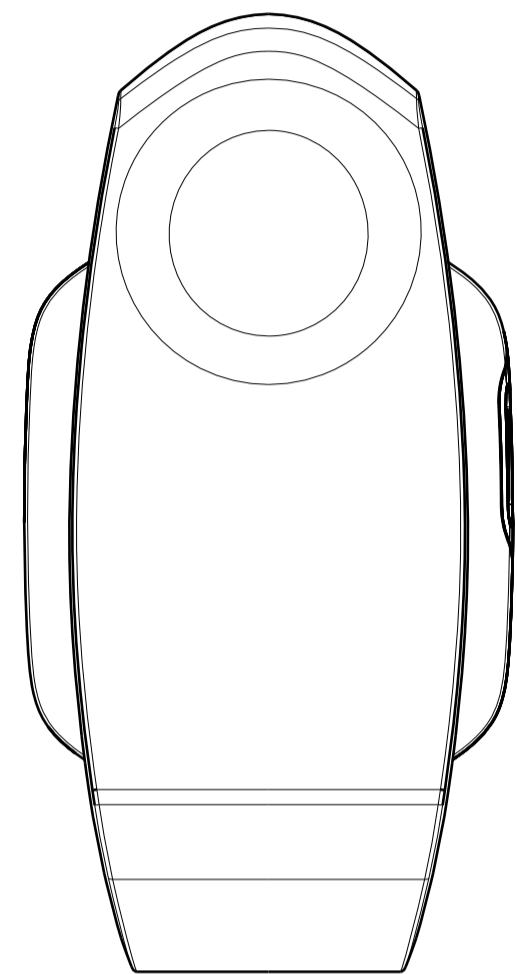
Signed: Sylvain Bourriquet. Director, Quality Assurance and Regulatory Affairs

Lausanne, 25th of January 2021

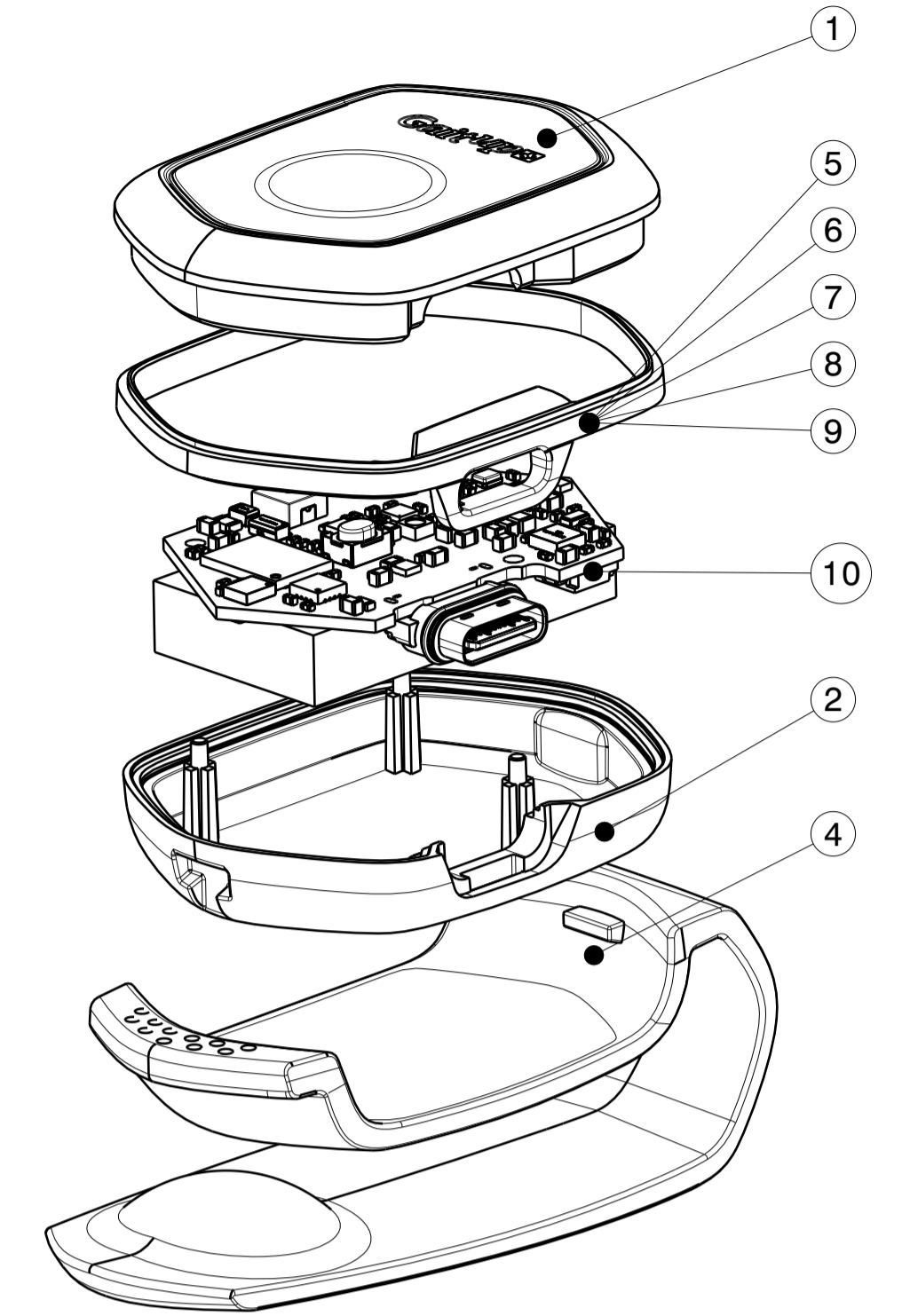
VERSION CLIP LACET



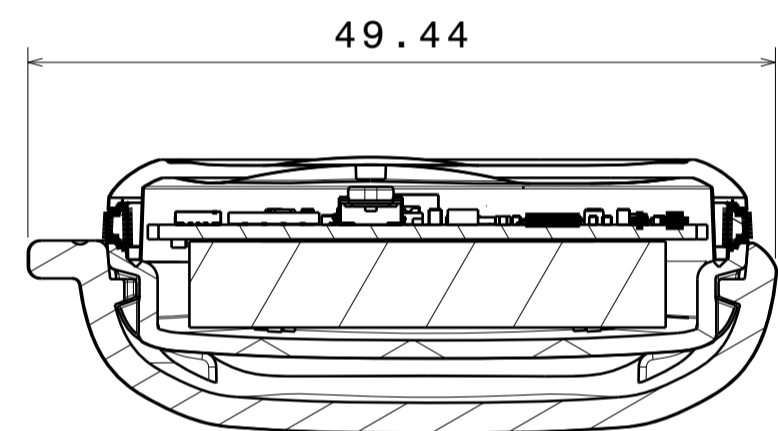
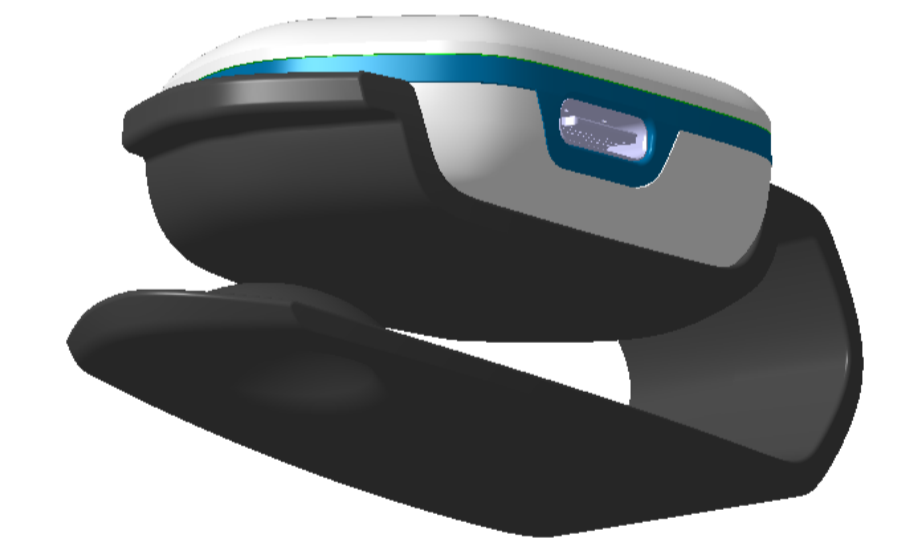
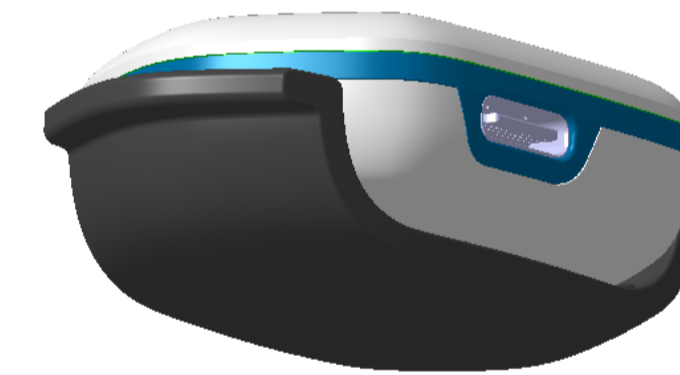
VERSION CLIP CEINTURE



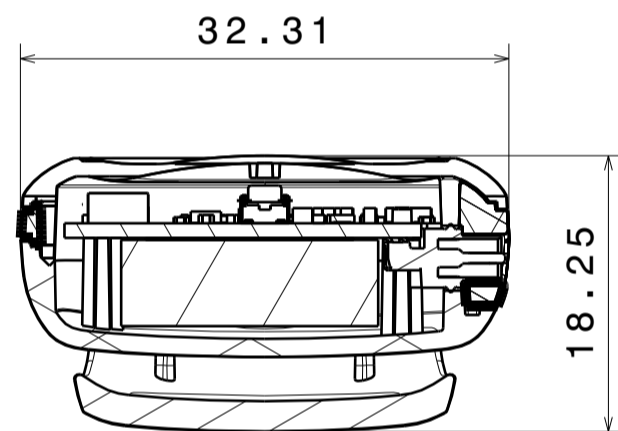
VERSION CLIP LACET



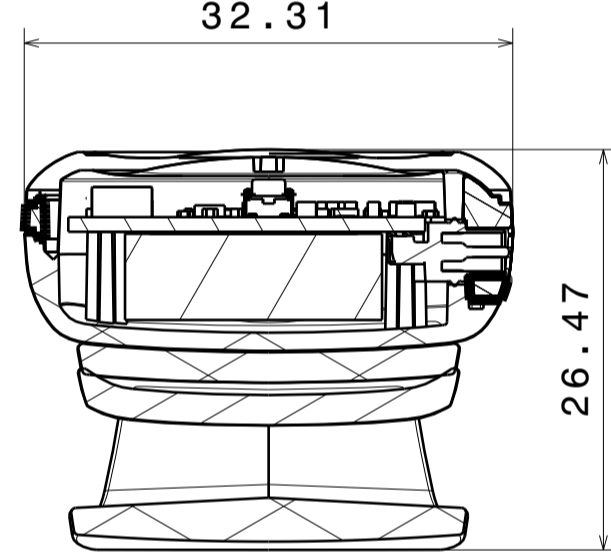
VERSION CLIP CEINTURE



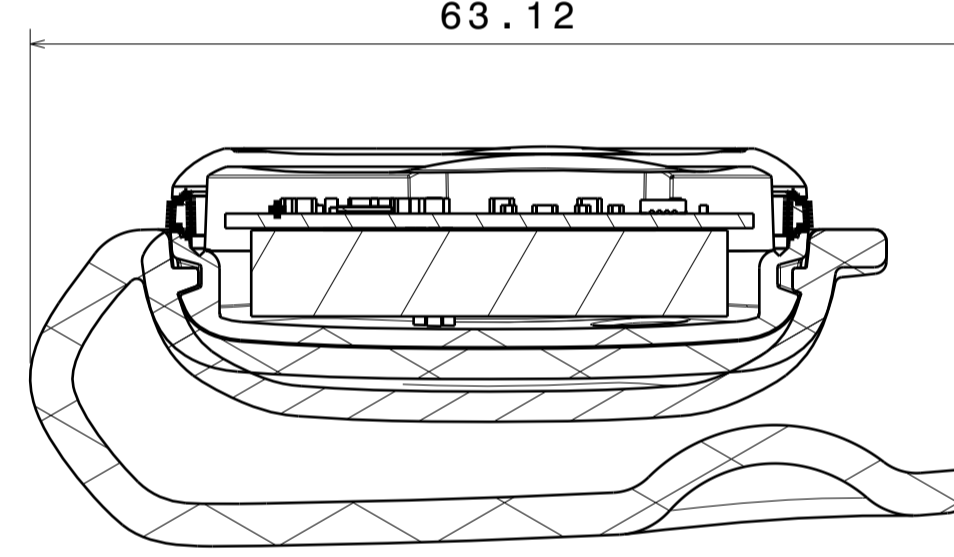
D-D



C-C

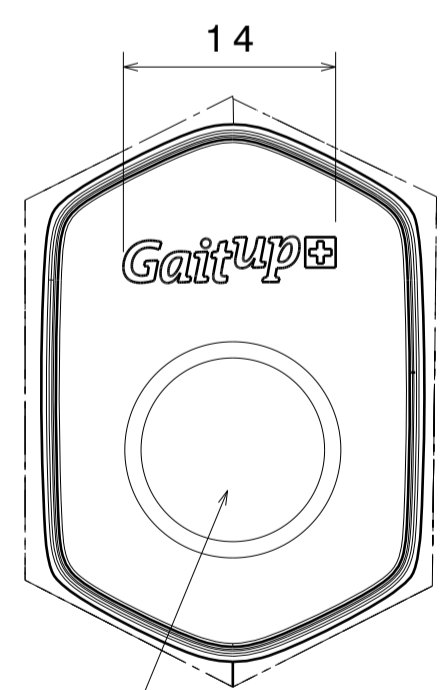


A-A

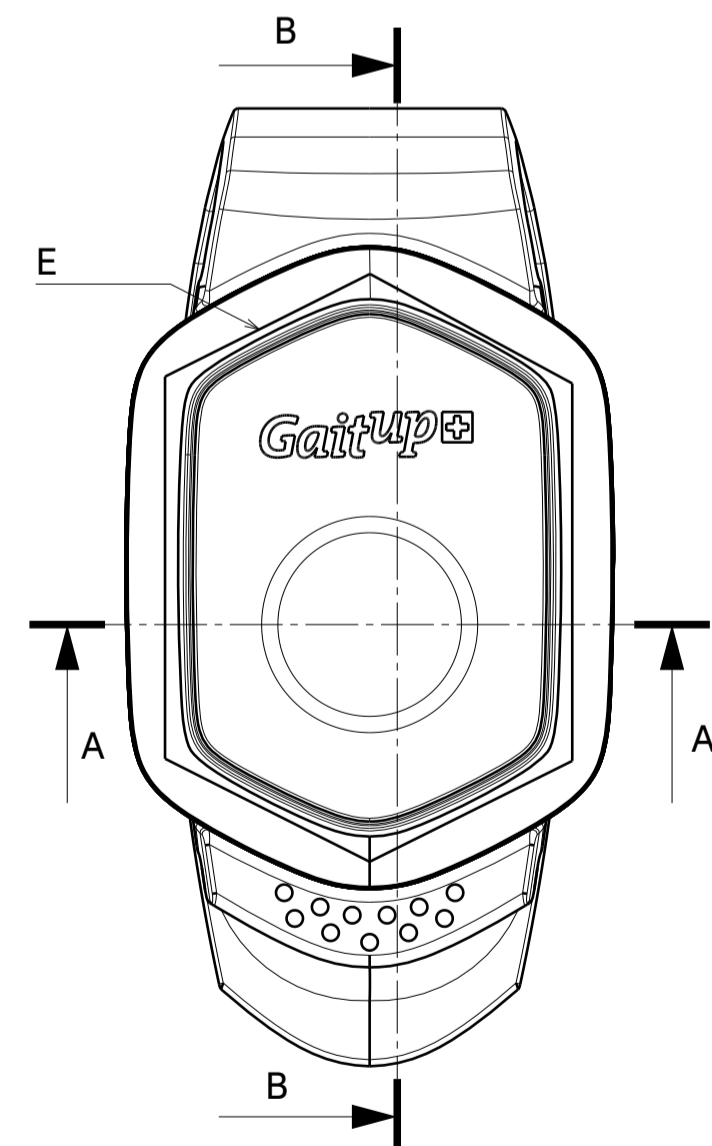
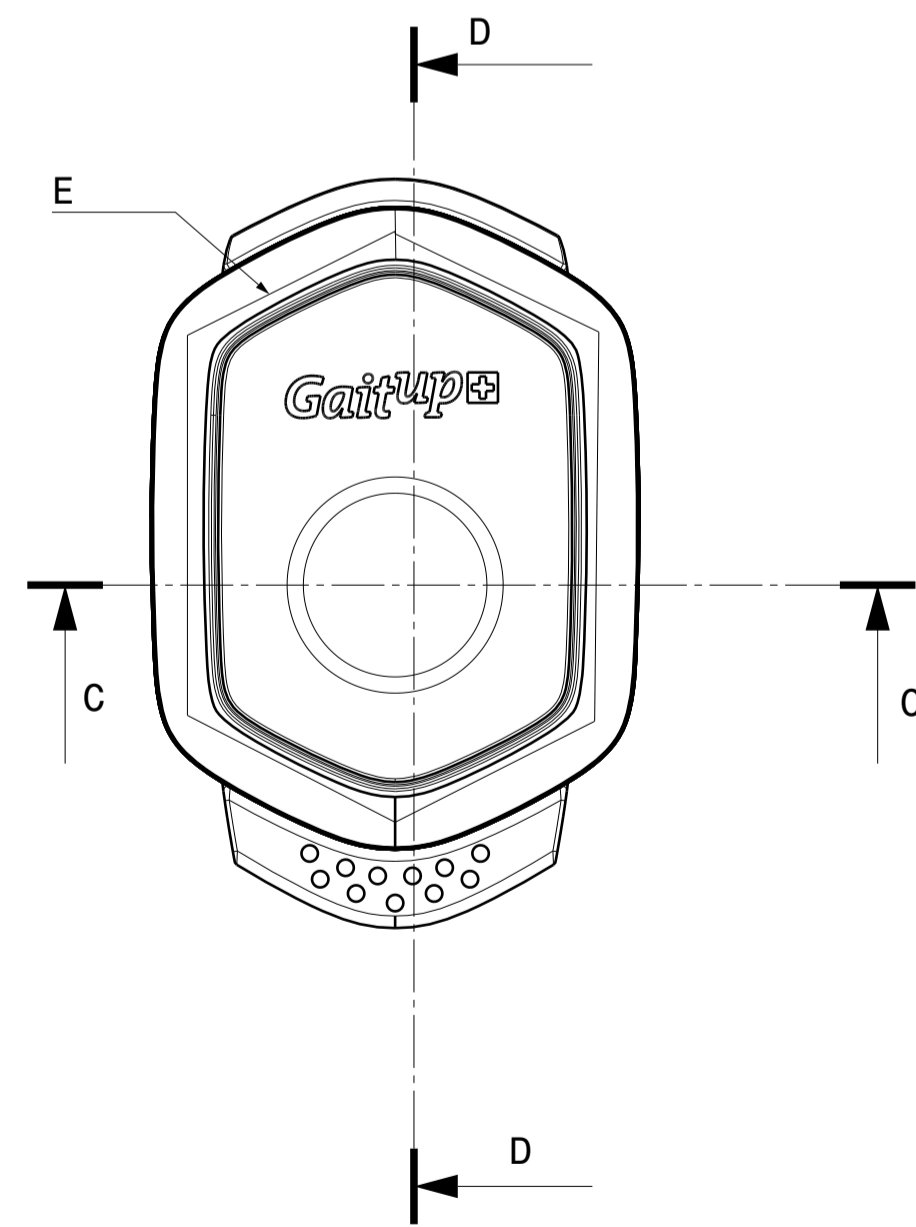


B-B

Détail E



RAL 7011 PANTONE 425
rgb (84,88,89)
Diameter 8mm - centred
on button dome (do not
cover LED)



Numéro	Nbre	DESIGNATION	CODE	MATIERE	COULEUR	OBSERVATION
10	1	CARTE ELECTRONIQUE				
9	1	RING	M1118-05PT	SILICONE	TELEMAGENTA	RAL 4010 PANTONE 213 C
8	1	RING	M1118-05PJ	SILICONE	JAUNE ZINC	RAL 1018 PANTONE 108 C
7	1	RING	M1118-05PR	SILICONE	ROUGE PUR	RAL 3028 PANTONE 185 C
6	1	RING	M1118-05PV	SILICONE	VERT BRILLANT	RAL 6038 PANTONE 802 C
5	1	RING	M1118-05PB	SILICONE	BLEU CLAIR	RAL 5012 PANTONE 306 C
4	1	CLIP CEINTURE	M1118-04P	ABS	GRIS BRILLANT	RAL 7016
3	1	CLIP LACET	M1118-03P	ABS	GRIS BRILLANT	RAL 7016
2	1	BOTTOM	M1118-02P	ABS V0	GRIS BRILLANT	RAL 7016
1	1	TOP	M1118-01P	ABS V0	BLANC BRILLANT	RAL 9003

INDICE / Level:
DATE / Date :

GREE PAR / Created by CREOPP-TEC		DESIGNATION / Drawing name CAPTEUR PHYSIOLOG6			CREOPP-TEC
DATE / Date 19/12/2019		REFERENCE / Part number ENSEMBLE	REVISU / Level 00 00	PLANOIE / Sht. 1/1	240 rue des cables de Lyon 01000 ST DENIS LES BOURG Tel.04.74.32.23.60 Fax.04.74.32.23.48
VALIDE PAR / Valid by NAG		CLIENT / Customer GAIT UP	REFERENCE CLIENT / Customer part number		
DATE / Date 20/12/19		Echelle / Scale 2:1		FORMAT / Size A1	CE PLAN EST LA PROPRIETE DE CREOPP-TEC. IL NE DOIT PAS ETRE REPRODUIT OU COMMUNIQUE SANS NOTRE AUTORISATION ECRITE. This drawing is the property of CREOPP-TEC. It can't be reproduced or communicated without our written autorisation.