



Series One Board 65 (AVM-6570) 65" All-In-One Video Conferencing Device Safety and Regulatory Guide

Google Meet | avocor

GOOGLE, the GOOGLE logo, GOOGLE MEET, and the GOOGLE MEET logo are trademarks of Google LLC. ©2022 Google LLC.
All other trademarks are the property of their respective owners.



Reduce | Reuse | Recycle

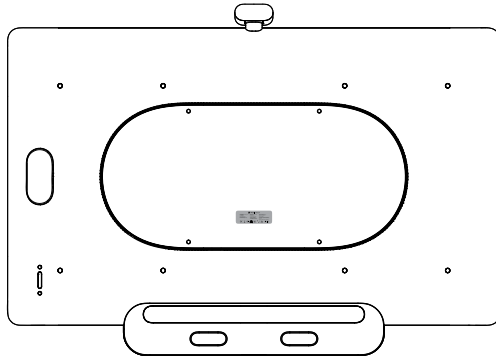




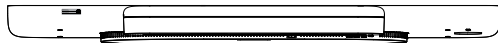
Read and follow all instructions in the documentation before you operate your system.

Locating the Product Labels

The main product label is located near the center of the VESA pattern on the back of Series One Board 65 (see below image for reference). If a mounting mechanism (such as the included desktop stand or a third party wall mount) is installed, you will have to remove it in order to access the label:



The serial number label is located on the bottom edge of the display. There you can find the link to the Meet+Avocor support page, serial number, and model information:



Chapter 1: Safety Information

General Safety

WARNING: FOLLOW THESE GUIDELINES TO ENSURE YOUR SAFETY AND THE SAFETY OF THOSE AROUND YOU. FAILURE TO ADHERE TO THE FOLLOWING GUIDELINES VIOLATES THE WARRANTY AGREEMENT AND MAY RESULT IN DAMAGE TO THE DEVICE OR PERSONAL INJURY.

YOUR DEVICE AND ITS ENHANCEMENTS MAY CONTAIN SMALL PARTS. KEEP THEM OUT OF THE REACH OF SMALL CHILDREN OR PETS.

UNDER ANY CIRCUMSTANCES, DO NOT:

- Attempt to repair or disassemble the product - leave this to an Avocor authorized repair technician.
- Expose the device in direct sunlight or areas with excessively high ambient temperatures, such as near a radiator or furnace.
- Install the device where it may be exposed to excessive atmospheric moisture, dust, dirt, or extremely low air pressure.
- Immerse the device in liquid, or spill any kind of liquid on it.
- Drop, bump, scratch, twist, hit, shake, push, crush, puncture or otherwise damage the device.
- Place heavy objects on the device.
- Subject the device to heavy shock or vibration.
- Subject the device to magnetic fields.
- Place the device on an unstable cart, stand, table or other uneven surfaces; damage or bodily harm may occur if the device falls.
- Cover or otherwise block ventilation openings or slots on the device.
- Let hot ventilation openings and AC adapter on the device come in contact with your skin or body.
- Push or insert any non-compatible objects of any kind into any slots or openings on the device, as they may touch dangerous voltage points or short-out parts that could result in a fire or electric shock.

Plastic Bag Notice

DANGER: PLASTIC BAGS CAN BE DANGEROUS. KEEP PLASTIC BAGS AWAY FROM BABIES AND CHILDREN TO AVOID THE DANGER OF SUFFOCATION.

Lithium Coin-Cell Battery Notice

WARNING: THERE IS A DANGER OF EXPLOSION IF THE LITHIUM BATTERY IS INCORRECTLY REPLACED. UNDER NO CIRCUMSTANCES ARE YOU TO TAMPER WITH THE DEVICE'S BATTERY. REPORT ANY ISSUES TO YOUR AVOCOR AUTHORIZED SERVICE TECHNICIAN.

The Avocor-authorized repair facilities or technicians recycle Avocor batteries according to local laws and regulations. The battery contains lithium and can explode if not properly used, handled, or disposed of. Swallowing the lithium coin-cell battery will cause choking or severe internal burns in just two hours and might even result in death. Keep batteries away from children. If the lithium coin-cell battery is swallowed or placed inside any part of the body, seek medical care immediately.

Mounting Brackets

This device may be compatible with a tabletop stand and a wall mounting bracket. Please follow these general guidelines when installing mounting hardware:

- Only use the hardware that came with your device, or an authorized equivalent.
- Disconnect the device from power and remove all external cabling and connected devices prior to installing a mounting bracket or stand.
- Install the bracket or stand on an even, stable surface that will sufficiently support the weight of the device.
- Do not install the device in a hazardous or incompatible environment such as those listed previously under "General Safety."

Caution: The wall mount for Avocor, AVM-6570 display is Avocor, AVM-WMNT-65. Shorter screws will result in insufficient mounting strength and longer screws could puncture parts inside the display. The

device may fall, causing serious personal injury or death. To prevent injury, this device must be securely attached to the wall in accordance with the installation instructions supplied with the mount. The mount must be secured to the Avocor, AVM-6570 display using the four M8x1.25(Screw, Flat Hex Socket) VESA mounting locations, and 20mm thread engage is required for secure mounting. Select the correct screw/spacer combination for the mount. Lock on the bracket with four M8x3.6, 80mm (Screw, Hex lag) and 15mm x 8.5mm (steel washer) to the wall. hang the display's bracket on the wall bracket.

Stand

Caution: The stand for Avocor, AVM-6570 display is Avocor, AVM-STND-65. Lock on the bracket with four M8 x 1.25, 20mm screw to the display and hang on the stand. This stand (AVM-STND-65) is intended for use only with Avocor, AVM-6570. Use with other equipment may result in instability causing injury.

Service & Maintenance

CAUTION: DO NOT ATTEMPT TO SERVICE THE PRODUCT YOURSELF. SEEK AN AVOCOR-APPROVED TECHNICIAN FOR ANY REPAIRS OR SERVICES NEEDED.

Opening or removing covers yourself not only violates the warranty agreement, but also exposes dangerous voltage points and other risks that may result in injury or property damage. Leave this to qualified, Avocor-approved technicians.

Unplug the device from the wall outlet and refer servicing to qualified service personnel under the following circumstances:

- The power cord or plug is damaged, cut or frayed.
- Liquid was spilled into the device.
- The device has been dropped or the case has been damaged.
- The device exhibits a distinct change in performance, indicating a need for service.
- The device does not operate normally after following the operating instructions.

Service Guidelines for Technicians

- Observe good housekeeping in the area of the device during and after maintenance.
- Do not perform any action that causes hazards to the customer, or that makes the equipment unsafe.
- Place removed covers and other parts in a safe place, away from all personnel, while you are servicing the device.
- Use only Avocor approved parts to perform the repair.
- Reinstall all covers correctly before returning the device to the customer.

Cleaning

CAUTION: NEVER SPRAY LIQUID OR CLEANING SOLUTION DIRECTLY ONTO THE DEVICE.

The following guidelines are written to ensure your safety and the safety of those around you, and prevent damage to the device. Failure to follow these guidelines may result in property damage or bodily injury:

1. Turn off the device.
2. Disconnect the device from the power source.
3. Gently wipe the screen with a soft damp cloth.
(Spray or dampen the cloth with a non-alcoholic cleaning solution if desired.)
4. Once the device is completely dry, replug the power source and resume operation.

Power

Device Power Rating

| | |
|-------------|-----------------------------------|
| Power Input | Input: 100-240V ~ 50-60Hz 5.2A |
|-------------|-----------------------------------|

Notes on Power

Read the following information carefully to ensure the continued normal operation of the device and





the personal safety of yourself and those around you.

Ensure that the electrical outlet for the device is easily accessible and located in close proximity to the device operator. If the need to disconnect power to the device arises, the operator must be able to quickly disconnect the power cable from the electrical outlet.

Disconnecting the Power Source

Observe the following guidelines when connecting and disconnecting power to the power supply unit:

- Install the power supply unit (PSU) before connecting to the electrical power outlet.
- Disconnect the PSU from the electrical power outlet before unplugging from the device.

CAUTION:

- Do not connect the adapter to any other device.
- When unplugging the power cord, do not pull on the cord itself—pull on the plug.
- Do not allow anything to rest on the power cord.
- Do not locate the device where people will walk on the power cord.
- If an extension cord is used with this device, make sure that the total ampere rating of the equipment plugged into the extension cord does not exceed the extension cord ampere rating. Also, make sure that the total rating of all devices plugged into the wall outlet does not exceed the fuse rating.
- Do not overload a power source by plugging in too many devices. The overall system load must not exceed 80% of the branch circuit rating. If power strips are used, the load should not exceed 80% of the power strip's input rating.

Warning: Power cords shall be connected to a socket-outlet with a ground connection. Make sure the power outlet is properly grounded. Do not insert the plug into a non-grounded power outlet. Contact your electrician for details.

Caution: There is a risk of explosion if the battery is replaced with incorrect type. Dispose of used batteries according to local regulations.

Chapter 2: Compliance Information

Avocor Technologies USA, Inc.

9375 SW Commerce Circle, Suite A7
Wilsonville, Oregon 97070 USA

FEDERAL COMMUNICATIONS COMMISSION INTERFERENCE STATEMENT

This equipment has been tested and found to comply with the limits for a Class A digital device, pursuant to part 15 of the FCC Rules. These limits are designed to provide reasonable protection against harmful interference when the equipment is operated in a commercial environment. This equipment generates, uses, and can radiate radio frequency energy and, if not installed and used in accordance with the instruction manual, may cause harmful interference to radio communications. Operation of this equipment in a residential area is likely to cause harmful interference in which case the user will be required to correct the interference at his own expense.

This device complies with Part 15 of the FCC Rules. Operation is subject to the following two conditions: (1) this device may not cause harmful interference, and (2) this device must accept any interference received, including interference that may cause undesired operation.

CAUTION:

Any changes or modifications not expressly approved by the grantee of this device could void the user's authority to operate the equipment.

RF Exposure warning

This equipment must be installed and operated in accordance with provided instructions and the antenna(s) used for this transmitter must be installed to provide a separation distance of at least 20 cm from all persons and must not be co-located or operating in conjunction with any other antenna or transmitter. End-users and installers must be provided with antenna installation instructions and

transmitter operating conditions for satisfying RF exposure compliance.

Industry Canada Equipment Standard for Digital Equipment (ICES) –Canada Compliance Statement

This Class A digital apparatus complies with Canadian ICES-003. CAN ICES-003 (A)/NMB-003(A)
Cet appareil numérique de la classe A est conforme à la norme NMB003 du Canada.

Innovation, Science and Economic Development Canada (ISED) Compliance Statement

This device complies with ISED's licence-exempt RSS standard(s). Operation is subject to the following two conditions: (1) this device may not cause interference, and (2) this device must accept any interference, including interference that may cause undesired operation of the device.

Le présent appareil est conforme aux CNR d'ISED applicables aux appareils radio exempts de licence. L'exploitation est autorisée aux deux conditions suivantes : (1) le dispositif ne doit pas produire de brouillage préjudiciable, et (2) ce dispositif doit accepter tout brouillage reçu, y compris un brouillage susceptible de provoquer un fonctionnement indésirable.

Caution:

User should also be advised that:

- (i) the device for operation in the band 5150-5250 MHz is only for indoor use to reduce the potential for harmful interference to co-channel mobile satellite systems;
- (ii) the maximum antenna gain permitted for devices in the bands 5250-5350 MHz and 5470-5725 MHz shall comply with the e.i.r.p. limit; and
- (iii) the maximum antenna gain permitted for devices in the band 5725-5825 MHz shall comply with the e.i.r.p. limits specified for point-to-point and non point-to-point operation as appropriate. High-power radars are allocated as primary users (i.e. priority users) of the bands 5250-5350 MHz and 5650-5850 MHz and that these radars could cause interference and/or damage to LE-LAN devices.

Les utilisateurs devraient aussi être avisés que

- (i) les dispositifs fonctionnant dans la bande 5150-5250 MHz sont réservés uniquement pour une utilisation à l'intérieur afin de réduire les risques de brouillage préjudiciable aux systèmes de satellites mobiles utilisant les mêmes canaux;
- (ii) le gain maximal d'antenne permis pour les dispositifs utilisant les bandes 5250-5350 MHz et 5470-5725 MHz doit se conformer à la limite de p.i.r.e.;
- (iii) le gain maximal d'antenne permis (pour les dispositifs utilisant la bande 5725-5825 MHz) doit se conformer à la limite de p.i.r.e. spécifiée pour l'exploitation point à point et non point à point, selon le cas. De plus, les utilisateurs de radars de haute puissance sont désignés utilisateurs principaux (c.-à-d., qu'ils ont la priorité) pour les bandes 5250-5350 MHz et 5650-5850 MHz et que ces radars pourraient causer du brouillage et/ou des dommages aux dispositifs LAN-EL.

Radio Frequency (RF) Exposure Information

The radiated output power of the Wireless Device is below the Innovation, Science and Economic Development Canada (ISED) radio frequency exposure limits. The Wireless Device should be used in such a manner such that the potential for human contact during normal operation is minimized. This device has also been evaluated and shown compliant with the ISED RF Exposure limits under mobile exposure conditions. (antennas are greater than 20 cm from a person's body).

Informations Concernant L'exposition Aux Fréquences Radio (RF)

La puissance de sortie émise par l'appareil de sans fil est inférieure à la limite d'exposition aux fréquences radio d'ISED Canada (ISED). Utilisez l'appareil de sans fil de façon à minimiser les contacts humains lors du fonctionnement normal.

Ce périphérique a également été évalué et démontré conforme aux limites d'exposition aux RF d'ISED dans des conditions d'exposition à des appareils mobiles (antennes sont supérieures à 20 cm à partir du corps d'une personne).

CE RED Compliance Statement

EU Declaration of Conformity

Hereby, Avocor Europe declares that the radio equipment type AVM-6570 is in compliance with Directive 2014/53/EU.

The full text of the EU declaration of conformity is available at the following internet address: <https://avocorna.zendes.com/hc/en-us/articles/4424562758541>

UK Declaration of Conformity

Hereby, Avocor Europe declares that the radio equipment type AVM-6570 is in compliance with the essential requirements and other relevant provisions of the Radio Equipment Regulations 2017.

The full text of the UK Declaration of Conformity may be found at the following internet address: <https://avocorna.zendes.com/hc/en-us/articles/4424562758541>

The device is restricted to indoor use only when operating in the 5150 to 5350 MHz frequency range.

RF Exposure warning

This device meets the EU requirements (2014/53/EU) on the limitation of exposure of the general public to electromagnetic fields by way of health protection.

The device complies with RF specifications when the device used at 20 cm from your body.

| | | | | | | | | |
|--|----|----|----|----|----|----|----|----|
| | AT | BE | BG | CH | CY | CZ | DK | DE |
| | EE | EL | ES | FI | FR | HR | HU | IE |
| | IS | IT | LT | LU | LV | MT | NL | PL |
| | PT | RO | SI | SE | SK | NI | | |

| | |
|--|----|
| | UK |
| | |



All operational modes:

| Technologies | Frequency Range (MHz) | Max. Transmit Power |
|--------------|-----------------------|---------------------|
| Bluetooth | 2402-2480 MHz | 12.51 dBm |
| Bluetooth LE | 2402-2480 MHz | 9.05 dBm |
| WLAN 2.4 GHz | 2412-2472 MHz | 18.68 dBm |
| WLAN 5 GHz | 5180-5240 MHz | 20.80 dBm |





| Technologies | Frequency Range (MHz) | Max. Transmit Power |
|--------------|-----------------------|---------------------|
| WLAN 5 GHz | 5260-5320 MHz | 21.10 dBm |
| WLAN 5 GHz | 5500-5700 MHz | 22.26 dBm |
| WLAN 5 GHz | 5745-5825 MHz | 13.79 dBm |
| SRD 24 GHz | 24000-24250 MHz | -6.80 dBm |

Japan

この装置は、クラスA情報技術装置です。この装置を家庭環境で使用すると電波妨害を引き起こすことがあります。この場合には使用者が適切な対策を講ずるよう要求されることがあります。 VCCI-A

Chapter 3: Environmental Information

Recycling and Environmental Information

Avocor encourages owners of information technology (IT) equipment to responsibly recycle their equipment when it is no longer needed.

Disposal and Recycling

Dispose of the battery and accessories in accordance with local ordinances or regulations. The following statement applies to users in the state of California, U.S.A.

Important battery and WEEE information



The WEEE and Batteries Directive symbols mean that according to local laws and regulations your product and its battery(ies) should be disposed of separately from household waste. When this product reaches its end of life, take it to a collection point designated by local authorities for safe disposal or recycling. The separate collection and recycling of your product, its electrical accessories, and its battery(ies) will help conserve natural resources, protect human health, and help the environment.

Restriction of Hazardous Substances (RoHS) Directive

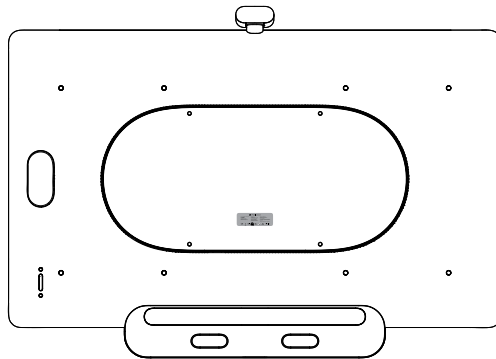
European Union RoHS

This product, with included parts (cables, cords, and so on) meets the requirements of Directive 2015/863/EU on the restriction of the use of certain hazardous substances in electrical and electronic equipment (RoHS 3).

For more information about Avocor worldwide compliance on RoHS, go to <https://avocorna.zendes.com/hc/en-us/articles/4424574461453>

Ubicación de las etiquetas de los productos

La etiqueta principal del producto se encuentra cerca del centro del patrón VESA en la parte posterior del Series One Board 65 (consulte la imagen a continuación de referencia). Si se instala un mecanismo de montaje (como el soporte de escritorio incluido o un soporte de pared de terceros), tendrá que retirarlo para acceder a la etiqueta:



La etiqueta del número de serie se encuentra en el borde inferior de la pantalla. Ahí puede encontrar el enlace a la página de soporte de Meet+Avocor, el número de serie y la información del modelo:



Model: AVM-6570
 SN:6570AATM1234
 MAC:999999999999
 https://meet.avocor.com

Capítulo 1: Información de seguridad

Seguridad general

ADVERTENCIA: SIGA ESTAS DIRECTRICES PARA GARANTIZAR SU SEGURIDAD Y LA SEGURIDAD DE QUIENES LE RODEAN. EL INCUMPLIMIENTO DE LAS SIGUIENTES DIRECTRICES VIOLA EL ACUERDO DE GARANTÍA Y PUEDE OCASIONAR DAÑOS AL DISPOSITIVO O LESIONES PERSONALES.

SU DISPOSITIVO Y SUS ACCESORIOS PUEDEN CONTENER PIEZAS PEQUEÑAS, MANTÉNGALOS FUERA DEL ALCANCE DE LOS NIÑOS PEQUEÑOS Y DE LAS MASCOTAS.

BAJO NINGUNA CIRCUNSTANCIA:

- Intente reparar o desmontar el producto: déjelo a un técnico de reparación autorizado de Avocor.
- Exponga el dispositivo a la luz solar directa o a áreas con temperaturas ambientales excesivamente altas, como las cercanías de un radiador o de un horno.
- Instale el dispositivo donde pueda exponerse a una humedad atmosférica excesiva, el polvo, la suciedad o una presión de aire extremadamente baja.
- Sumerja el dispositivo en líquido ni derrame cualquier tipo de líquido sobre él.
- Deje caer, golpear, arañar, girar, sacudir, agitar, empujar, aplastar, perforar o dañar de cualquier otra forma el dispositivo.
- Coloque objetos pesados en el dispositivo.
- Somete el dispositivo a fuertes golpes o vibraciones.
- Somete el dispositivo a campos magnéticos.
- Coloque el dispositivo en un carro inestable, un soporte, una mesa u otras superficies irregulares: pueden producirse daños o lesiones corporales si el dispositivo se cae.
- Cubra ni bloquee de otra forma las aberturas o ranuras de ventilación del dispositivo.
- Deje que las aberturas de ventilación caliente y el adaptador de CA en el dispositivo entren en contacto con su piel o su cuerpo.
- Introduzca o inserte objetos no compatibles de cualquier tipo en las ranuras o aberturas del dispositivo, ya que pueden tocar puntos de tensión peligrosos o piezas cortocircuitantes que podrían ocasionar un incendio o una descarga eléctrica.

Advertencia sobre la bolsa de plástico

PELIGRO: LAS BOLSAS DE PLÁSTICO PUEDEN SER PELIGROSAS. MANTENGA LAS BOLSAS DE PLÁSTICO ALEJADAS DE LOS BEBÉS Y LOS NIÑOS PARA EVITAR EL PELIGRO DE ASFIXIA.

Aviso de batería de celda de litio

ADVERTENCIA: CABE PELIGRO DE EXPLOSIÓN SI LA BATERÍA DE LITIO SE SUSTITUYE INCORRECTAMENTE. EN NINGUNA CIRCUNSTANCIA DEBE MANIPULAR LA BATERÍA DEL DISPOSITIVO. INFORME DE CUALQUIER PROBLEMA A SU TÉCNICO DE SERVICIO AUTORIZADO DE AVOCOR.

Los centros de reparación o los técnicos autorizados por Avocor reciclan las baterías de Avocor de acuerdo con las leyes y regulaciones locales. La batería contiene litio y puede explotar si no se utiliza, manipula o desecha correctamente. Si alguien se traga la batería de celdas de litio puede asfixiarse o sufrir quemaduras internas graves en tan solo dos horas e incluso perder la vida. Mantenga las baterías alejadas de los niños. Si la batería de celdas de litio se ingiere o se coloca dentro de cualquier parte del cuerpo, busque atención médica de inmediato.

Soportes para el montaje

Este dispositivo puede ser compatible con un soporte de mesa, un carrito móvil o un soporte de pared. Siga estas directrices generales al instalar los elementos de montaje:

- Utilice únicamente el «hardware» que viene con su dispositivo o un equivalente autorizado.
 - El uso de tornillos más cortos que los que vienen con el dispositivo puede resultar en una fuerza de montaje insuficiente, y unos tornillos más largos podrían perforar los componentes dentro del dispositivo.
- Desconecte el dispositivo de la corriente y retire todo el cableado externo y los dispositivos conectados antes de instalar un soporte de montaje o una base.
- Instale el soporte o la base en una superficie uniforme y estable que agunte bien el peso del





dispositivo.

- No instale el dispositivo en un entorno peligroso o incompatible como los mencionados anteriormente en «Seguridad general»

Precaución: El soporte de pared para la pantalla Avocor AVM-6570 es Avocor AVM-WMNT-65. Para evitar lesiones, este aparato debe fijarse firmemente a la pared de acuerdo con las instrucciones de instalación suministradas con el soporte. Utilice solo los elementos de montaje y los tornillos que vienen con el dispositivo y el soporte de pared AVM-WMNT-65. El soporte debe fijarse a los puntos de montaje VESA de la pantalla Avocor AVM-6570, utilizando los cuatro tornillos M8x1,25 (tornillo con cabeza hueca hexagonal y plana) y atornillándolos 20 mm para un montaje seguro. Seleccione la combinación correcta del tornillo y el separador para el montaje. Fije el soporte a la pared con cuatro tornillos M8x3,6 de 80 mm (tornillo de cabeza hexagonal) y arandelas de acero de 15 mm x 8,5 mm. Cuelgue el soporte de la pantalla en el soporte de pared. Si no se utilizan los elementos correctos o no se siguen las instrucciones de montaje, se puede dañar el dispositivo o hacer que se caiga, lo que puede provocar lesiones personales graves o la muerte.

Carrito móvil

Precaución: La base para la pantalla Avocor AVM-6570 es Avocor AVM-STND-65. Fije el soporte con cuatro tornillos M8x1,25, atornillados 20 mm a la pantalla y cuelgue en la base. Esta base (AVM-STND-65) está destinada a utilizarse únicamente con la pantalla Avocor AVM-6570. Si no se utilizan los elementos correctos o no se siguen las instrucciones de montaje, se puede dañar el dispositivo o hacer que se caiga, lo que puede provocar lesiones personales graves o la muerte.

Servicio y mantenimiento

PRECAUCIÓN: NO INTENTE REPARAR EL PRODUCTO USTED MISMO/A. BUSQUE UN TÉCNICO AUTORIZADO POR AVOCOR PARA CUALQUIER REPARACIÓN O SERVICIO NECESARIO.

Si abre o quita las cubiertas usted mismo, no solo estará violando el acuerdo de garantía, sino que también se exponerá a puntos de tensión peligrosos y a otros riesgos que pueden ocasionar lesiones o daños a la propiedad. Déjese lo a los técnicos cualificados y autorizados por Avocor.

Desenchufe el dispositivo de la toma de corriente y ponga el mantenimiento en manos de personal de servicio cualificado si:

- El cable de alimentación o el enchufe está dañado, cortado o deshilachado.
- Se ha derramado algún líquido en el dispositivo.
- El dispositivo se ha caído o la carcasa se ha dañado.
- El rendimiento del dispositivo cambia manifiestamente, en cuyo caso requerirá algún tipo de mantenimiento.
- El dispositivo no funciona normalmente a pesar de haber seguido las instrucciones de funcionamiento.

Directrices de mantenimiento para técnicos

- Mantenga ordenado el lugar en que se encuentre el dispositivo durante y después del mantenimiento.
- No lleve a cabo ninguna acción que conlleve algún riesgo para el cliente o que haga que el equipo sea inseguro.
- Coloque las cubiertas y otras piezas retiradas en un lugar seguro, alejadas de todo el personal, mientras realiza el mantenimiento del dispositivo.
- Utilice solo piezas aprobadas por Avocor para llevar a cabo la reparación.
- Vuelva a instalar todas las cubiertas correctamente antes de devolver el dispositivo al cliente.

Limpieza

PRECAUCIÓN: NUNCA ROCÍE NINGÚN LÍQUIDO NI NINGUNA SOLUCIÓN DE LIMPIEZA DIRECTAMENTE SOBRE EL DISPOSITIVO.

Las siguientes directrices son para garantizar su seguridad y la seguridad de las personas que le rodean y evitar que el dispositivo sufra daños. Si no se siguen estas directrices, pueden producirse daños a la propiedad o lesiones corporales:

1. Apague el dispositivo.

2. Desconecte el dispositivo de la fuente de alimentación.
3. Limpie con cuidado la pantalla con un paño suave y húmedo.
 - o Si lo desea, rocíe o humedezca el paño con una solución de limpieza sin alcohol.
4. Cuando el dispositivo esté completamente seco, vuelva a enchufar la fuente de alimentación y reanude el funcionamiento.

Potencia

Clasificación de potencia del dispositivo

| | |
|--------------------|-------------------------------------|
| Entrada de Energía | Entrada: 100-240V – 50-60Hz 5.2A |
|--------------------|-------------------------------------|

Notas sobre la potencia

Lea atentamente la información siguiente para garantizar el funcionamiento normal y continuo del dispositivo y su seguridad y la de quienes le rodean.

Asegúrese de que se puede acceder fácilmente a la toma de corriente del dispositivo y de que esta se encuentre cerca del operador del dispositivo. Si es necesario desconectar la alimentación del dispositivo, el operador debe poder desconectar rápidamente esta fuente de alimentación de la toma de corriente.

Desconexión de la fuente de alimentación

Tenga en cuenta las siguientes directrices al conectar y desconectar la alimentación de la fuente:

- Instale la unidad de alimentación (PSU) antes de conectarla a la toma de corriente eléctrica.
 - Desconecte la fuente de alimentación de la toma de corriente eléctrica antes de desenchufarla del dispositivo.
- PRECAUCIÓN:**
- No conecte el adaptador a ningún otro dispositivo.
 - Al desenchufar el cable de alimentación, no tire del propio cable, sino del enchufe.
 - No coloque nada encima del cable de alimentación.
 - No coloque el dispositivo en un sitio en el que alguien pueda pisar el cable de alimentación.
 - Si usa un cable alargador con este dispositivo, asegúrese de que el amperaje total del equipo enchufado al cable alargador no supera el amperaje del cable alargador. Además, asegúrese de que el amperaje total de todos los dispositivos conectados a la toma de corriente no supera el valor nominal del fusible.
 - No sobrecargue una fuente de alimentación enchufando demasiados dispositivos. La carga total del sistema no debe superar el 80 % de la capacidad nominal del circuito de derivación. Si se utilizan regletas de enchufes, la carga no debe superar el 80 % de la capacidad nominal de entrada de la regleta correspondiente.

Advertencia: Los cables de alimentación deben conectarse a una toma de corriente con conexión a tierra. Asegúrese de que la toma de corriente está correctamente conectada a tierra. No inserte el enchufe en una toma de corriente sin conexión a tierra. Póngase en contacto con su electricista para obtener más información.

Precaución: Hay riesgo de explosión si se sustituye la batería por un modelo inadecuado. Deseche las baterías usadas de acuerdo con la normativa local.

Capítulo 2: Información de Cumplimiento

DECLARACIÓN SOBRE INTERFERENCIAS DE LA COMISIÓN FEDERAL DE COMUNICACIONES

Este equipo se ha sometido a pruebas que han demostrado que se ajusta a los límites correspondientes a dispositivos digitales de Clase A, con arreglo al apartado 15 de las normas de la Comisión Federal de Comunicaciones. Estos límites están diseñados para proporcionar una protección razonable contra las interferencias perjudiciales cuando el equipo se utiliza en un entorno comercial. Este equipo genera, utiliza y puede emitir energía de radiofrecuencia y, si no se instala ni utiliza de acuerdo con

las instrucciones, podría ocasionar interferencias perjudiciales para las comunicaciones por radio. El funcionamiento de este equipo en una zona residencial puede causar interferencias perjudiciales, en cuyo caso el usuario deberá corregirlas por su cuenta.

PRECAUCIÓN:

Cualquier cambio o modificación realizados en el equipo sin la aprobación expresa del beneficiario del equipo puede anular el derecho del usuario a trabajar con este producto.

Aviso de exposición a radiofrecuencias (RF)

Este equipo debe ser instalado y operado de acuerdo con las instrucciones proporcionadas y la(s) antena(s) utilizada(s) para este transmisor debe(n) ser instalada(s) para proporcionar una distancia de separación de al menos 20 cm de todas las personas y no debe(n) ser colocada(s) u operada(s) en conjunto con cualquier otra antena o transmisor. Los usuarios finales y los instaladores deben recibir las instrucciones de instalación de la antena y las condiciones de funcionamiento del transmisor para cumplir con las normas de exposición a RF.

Declaración de cumplimiento de la normativa Industry Canada para equipos digitales (ICES)

Este aparato digital de Clase A cumple con la norma canadiense ICES-003. CAN ICES-3 (A)/NMB-3(A) Cet appareil numérique de la classe A est conforme à la norme NMB-003 du Canada.

Declaración de conformidad con Innovación, Ciencia y Desarrollo Económico de Canadá (ISED)

Este dispositivo cumple con la normativa o normativas RSS exentas de licencia de ISED. El funcionamiento está sujeto a las dos condiciones siguientes: (1) este dispositivo no puede causar interferencias, y (2) este dispositivo debe aceptar cualquier interferencia, incluyendo aquellas que puedan provocar un funcionamiento no deseado del dispositivo.

Precaución:

También hay que advertir al usuario que:

- (i) el dispositivo y su funcionamiento en la banda 5150-5250 MHz está destinado únicamente para uso en interiores para reducir el potencial de interferencia perjudicial con sistemas móviles por satélite cocanal;
- (ii) la ganancia máxima de antena permitida para los dispositivos en las bandas de 5250-5350 MHz y 5470-5725 MHz debe ajustarse al límite de la EIRP (potencia isotrópica radiada equivalente), y
- (iii) la ganancia máxima de antena permitida para los dispositivos en la banda de 5725-5825 MHz debe ajustarse a los límites de la EIRP especificados para el funcionamiento de punto a punto y de punto a multipunto, según corresponda. Los radares de alta potencia están asignados como usuarios primarios (usuarios prioritarios) de las bandas 5250-5350 MHz y 5650-5850 MHz y que estos radares podrían causar interferencias o daños a los dispositivos LE-LAN.

Información de exposición a radiofrecuencias (RF)

La potencia de salida irradiada del dispositivo inalámbrico está por debajo de los límites de radiofrecuencia establecidos por Innovación, Ciencia y Desarrollo Económico de Canadá (ISED). El dispositivo inalámbrico debe usarse de tal manera que se minimice la posibilidad de contacto humano durante el funcionamiento normal. Este dispositivo también se evaluó y se demostró que cumple con los límites de exposición a radiofrecuencia de la ISED en condiciones de exposición móvil (las antenas están a más de 20 cm del cuerpo de una persona).

Declaración de conformidad CE RED

Avocor Europe

Deltajdzije 14n, 12612M Blicarum, Países Bajos

Declaración de conformidad de la UE

Por la presente, Avocor Europe declara que el tipo de equipo radioeléctrico AVM-6570 cumple con la Directiva 2014/53/UE.



El texto completo de la declaración de conformidad UE está disponible en la siguiente dirección de Internet:

<https://avocorna.zendesks.com/hc/en-us/articles/4424562758541>.

Declaración de conformidad del Reino Unido

Por la presente, Avocor Europe declara que el equipo de radio tipo AVM-6570 cumple con los requisitos esenciales y otras disposiciones pertinentes del Reglamento de Equipos de Radio de 2017. El texto completo de la declaración de conformidad del Reino Unido está disponible en la siguiente dirección de Internet: <https://avocorna.zendesks.com/hc/en-us/articles/4424562758541>.

Cuando el dispositivo opera en la gama de frecuencias de 5150 a 5350 MHz su uso está restringido a interiores.

Aviso de exposición a radiofrecuencias (RF)

Este dispositivo cumple los requisitos de la UE (2014/53/UE) sobre la limitación de la exposición del público general a los campos electromagnéticos en lo que se refiere a la protección de la salud. El dispositivo cumple con las especificaciones de RF cuando se utiliza a 20 cm de su cuerpo.

| | | | | | | | | |
|-----------------------------------------------------------------------------------|----|----|----|----|----|----|----|----|
|  | AT | BE | BG | CH | CY | CZ | DK | DE |
| | EE | EL | ES | FI | FR | HR | HU | IE |
| | IS | IT | LT | LU | LV | MT | NL | PL |
| | PT | RO | SI | SE | SK | NI | | |

| | |
|-----------------------------------------------------------------------------------|----|
|  | UK |
| | |



Todos los modos de funcionamiento:

| Tecnologías | Gama de frecuencias (MHz) | Potencia máxima de transmisión |
|--------------|---------------------------|--------------------------------|
| Bluetooth | 2402-2480 MHz | 12.51 dBm |
| Bluetooth LE | 2402-2480 MHz | 9.05 dBm |
| WLAN 2.4 GHz | 2412-2472 MHz | 18.68 dBm |
| WLAN 5 GHz | 5180-5240 MHz | 20.80 dBm |
| WLAN 5 GHz | 5260-5320 MHz | 21.10 dBm |

| Tecnologías | Gama de frecuencias (MHz) | Potencia máxima de transmisión |
|-------------|---------------------------|--------------------------------|
| WLAN 5 GHz | 5500-5700 MHz | 22.26 dBm |
| WLAN 5 GHz | 5745-5825 MHz | 13.79 dBm |
| SRD 24 GHz | 24000-24250 MHz | -6.80 dBm |

Capítulo 3: Información medioambiental

Reciclaje e información medioambiental

Avocor alerta a los propietarios de equipos de tecnología de la información (TI) a reciclar responsablemente sus equipos cuando ya no los necesitan.

Eliminación y reciclaje

Deseche la batería y los accesorios de acuerdo con las ordenanzas o regulaciones locales.

Información sobre el perclorato de California:

Los productos que contienen baterías de célula de moneda de litio y dióxido de manganeso pueden contener perclorato. Material de perclorato: se puede aplicar un manejo especial, consulte <https://dtsc.ca.gov/perchlorate/>

Información importante sobre la batería y la directiva sobre residuos de aparatos eléctricos y electrónicos (RAEE)



Los símbolos de la Directiva RAEE y de la Directiva relativa a las pilas y acumuladores y a los residuos de pilas y acumuladores significan que, de acuerdo con las leyes y regulaciones locales, su producto y su(s) batería(s) deben desecharse separados de la basura doméstica. Cuando este producto llegue al final de su vida útil, lívelo a alguno de los puntos de recogida indicados por las autoridades locales para su eliminación y reciclaje. La recolección y el reciclaje por separado de su producto, sus accesorios eléctricos y sus baterías ayudarán a conservar los recursos naturales, proteger la salud de las personas y cuidar el medioambiente.

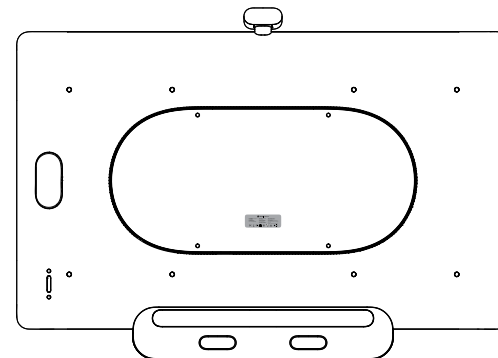
Directiva 2011/65/UE sobre restricciones a la utilización de determinadas sustancias peligrosas en aparatos eléctricos y electrónicos (RoHS) Directiva 2011/65/UE (RoHS) de la Unión Europea

Este producto, con piezas incluidas (cables, cordones, etc.), cumple con los requisitos de la Directiva 2015/863/UE sobre la restricción del uso de determinadas sustancias peligrosas en aparatos eléctricos y electrónicos (RoHS 3).

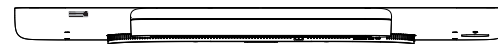
Para obtener más información sobre el cumplimiento de la RoHS por parte de Avocor en todo el mundo, visite <https://avocorna.zendesks.com/hc/en-us/articles/4424574461453>

Localisation des étiquettes de produit

L'étiquette principale du produit est située près du centre du motif VESA, à l'arrière de la Series One Board 65 (voir l'image ci-dessous pour référence). Si un mécanisme de montage (tel que le support de bureau inclus ou un support mural tiers) a été installé, vous devrez le retirer pour pouvoir accéder à l'étiquette:



L'étiquette du numéro de série se trouve sur le bord inférieur de l'écran. Vous y trouverez le lien vers la page d'assistance de Meet+Avocor, le numéro de série et les informations sur le modèle:



Chapitre 1 : Informations de sécurité

Sécurité générale

AVERTISSEMENT : SUIVEZ CES DIRECTIVES POUR ASSURER VOTRE SÉCURITÉ ET CELLE DE CEUX QUI VOUS ENTOURENT. LE NON-RESPECT DES DIRECTIVES SUIVANTES ENFREINT LE CONTRAT DE GARANTIE ET PEUT ENTRAÎNER DES DOMMAGES À L'APPAREIL OU DES BLESSURES CORPORELLES.

VOTRE APPAREIL ET SES AMÉLIORATIONS PEUVENT CONTENIR DES PETITS COMPOSANTS. ÉLOIGNEZ-LES DES JEUNES ENFANTS ET DES ANIMAUX DE COMPAGNIE.

ÉVITEZ EN TOUTES CIRCONSTANCES :

- De réparer ou de démonter le produit - laissez cela à un technicien-réparateur agréé Avocor.
- D'exposer l'appareil à la lumière directe du soleil ou de conserver l'appareil dans des zones présentant des températures ambiantes excessivement élevées, comme près d'un radiateur ou d'un four.
- D'installer l'appareil dans un espace où il serait exposé à une humidité atmosphérique excessive, à la poussière, à la saleté ou à une pression d'air extrêmement basse.
- De plonger l'appareil dans un liquide ou de verser un quelconque type de liquide dessus.
- De laisser tomber, de cogner, de rayer, de tordre, de frapper, de secouer, de pousser, d'écraser, de perforeur ou d'endommager l'appareil.
- De placer des objets lourds sur l'appareil.
- De soumettre l'appareil à un choc ou à des vibrations importants.
- De soumettre l'appareil à des champs magnétiques.
- De placer l'appareil sur un chariot, un support, une table ou d'autres surfaces inégales et instables ; des dommages ou des lésions corporelles peuvent survenir si l'appareil tombe.
- De couvrir ou de bloquer les ouvertures ou les fentes de ventilation sur l'appareil.
- De laisser les ouvertures de ventilation chaudes et l'adaptateur CA de l'appareil entrer en contact avec votre peau ou votre corps.
- De pousser ou d'insérer tout objet non compatible, de quelque nature que ce soit, dans les fentes ou ouvertures de l'appareil, car celui-ci pourrait toucher des points de tension dangereux ou des pièces en court-circuit, ce qui pourrait entraîner un incendie ou une électrocution.

Avis figurant sur le sac en plastique

DANGER : LES SACS EN PLASTIQUE PEUVENT ÊTRE DANGEREUX. TENIR LES SACS EN PLASTIQUE À L'ÉCART DES BÉBÉS ET DES ENFANTS. POUR ÉVITER TOUT RISQUE D'ÉTOUFFEMENT.

Avis figurant sur la batterie au lithium

AVERTISSEMENT : IL EXISTE UN RISQUE D'EXPLOSION SI LA BATTERIE EST REMPLACÉE DE MANIÈRE INCORRECTE. EN AUCUN CAS, VOUS NE DEVEZ ALTERER LA BATTERIE DE L'APPAREIL. SIGNALÉZ TOUT PROBLÈME À VOTRE TECHNICIEN DE SERVICE AGRÉÉ AVOCOR.

Les centres de réparation ou les techniciens agréés par Avocor recyclent les piles Avocor conformément aux lois et réglementations locales. La pile contient du lithium et peut exploser si elle n'est pas correctement utilisée, manipulée ou jetée. L'ingestion de la pile bouton au lithium provoque un étouffement ou de graves brûlures internes en seulement deux heures, et peut même entraîner la mort. Tenir les piles éloignées des enfants. Si la pile bouton au lithium est avalée ou insérée à l'intérieur d'une partie du corps, consultez immédiatement un médecin.

Supports de montage

Cet appareil peut être compatible avec un support de table et un support de montage mural. Veuillez suivre ces instructions générales lors de l'installation du matériel de montage :

- Utilisez uniquement le matériel fourni avec votre appareil, ou un équivalent autorisé.
 - L'utilisation de vis plus courtes que celles qui sont fournies avec l'appareil peut entraîner une résistance insuffisante du montage, et des vis plus longues peuvent percer les composants à l'intérieur de l'appareil.
- Débranchez l'appareil de l'alimentation et retirez tous les câbles externes et les appareils connectés avant d'installer un dispositif ou support de montage.
- Installez le dispositif ou le support sur une surface plane et stable qui supportera le poids des

l'appareil.

- N'installez pas l'appareil dans un environnement dangereux ou incompatible, comme ceux énumérés précédemment dans la rubrique « Sécurité générale ».

Attention : Le support mural pour l'écran Avocor, AVM-6570, est Avocor, AVM-WMNT-65. Pour éviter toute blessure, cet appareil doit être solidement fixé au mur conformément aux instructions d'installation fournies avec le support. Utilisez uniquement le matériel de montage et les vis fournis avec l'appareil et le support mural AVM-WMNT-65. Le support doit être fixé aux locations de montage VESA de l'écran Avocor, AVM-6570, à l'aide des quatre vis M8x1,25 (vis à tête hexagonale plate), et un filetage de 20 mm est nécessaire pour une fixation solide. Sélectionnez la combinaison vis/entretoise correcte pour le support. Fixez le support au mur avec quatre vis M8x3,6,80mm (vis à tête hexagonale) et une rondelle en acier de 15 mm x 8,5 mm. Accrochez le support de l'écran sur le support mural. Si vous n'utilisez pas le matériel correct ou ne suivez pas les instructions de montage, vous risquez d'endommager l'appareil ou de le faire tomber, ce qui peut entraîner des blessures graves ou mortelles.

Chariot mobile

Attention : Le support pour l'écran Avocor, AVM-6570, est Avocor, AVM-STND-65. Verrouillez le support à l'aide de quatre vis M8 x 1,25, 20 mm sur l'écran et accrochez-le au support. Ce support (AVM-ST-ND-65) est destiné à être utilisé uniquement avec Avocor, AVM-6570. Si vous n'utilisez pas le matériel correct ou ne suivez pas les instructions de montage, vous risquez d'endommager l'appareil ou de le faire tomber, ce qui peut entraîner des blessures graves ou mortelles.

Entretien et maintenance

ATTENTION : NE TENTEZ PAS DE PROCÉDER VOUS-MÊME À L'ENTRETIEN DU PRODUIT. FAITES APPEL À UN TECHNICIEN AGRÉÉ PAR AVOCOR POUR TOUTES LES RÉPARATIONS OU ENTRETIENS NÉCESSAIRES.

L'ouverture ou le retrait des capots enfreint non seulement l'accord de garantie, mais expose également des points de tension dangereux et suppose d'autres risques pouvant entraîner des blessures ou des dommages matériels. Confiez ces tâches à des techniciens qualifiés et approuvés par Avocor.

Débranchez l'appareil de la prise murale et confiez l'entretien au personnel d'entretien qualifié dans les circonstances suivantes :

- Le cordon d'alimentation ou la fiche est endommagé, coupé ou effiloché.
- Du liquide a été déversé dans l'appareil.
- L'appareil est tombé ou le boîtier a été endommagé.
- Le dispositif présente un changement de performance distinct, indiquant un besoin d'entretien.
- L'appareil ne fonctionne pas normalement, alors que vous avez suivi les instructions d'utilisation.

Directives d'entretien à l'attention des techniciens

- Veillez à la bonne tenue des lieux dans la zone de l'appareil pendant et après l'entretien.
- N'effectuez aucune action qui présente des risques pour le client ou qui rend l'équipement dangereux.
- Placez les capots et autres pièces retirés dans un endroit sûr, à l'écart de tout le personnel, pendant que vous procédez à l'entretien de l'appareil.
- Utilisez uniquement des pièces approuvées par Avocor pour effectuer la réparation.
- Reinstallez correctement tous les capots avant de retourner l'appareil au client.

Nettoyage

ATTENTION : NE PULVÉRISÉZ JAMAIS DE LIQUIDE OU DE SOLUTION DE NETTOYAGE DIRECTEMENT SUR L'APPAREIL.

Les directives suivantes sont rédigées pour assurer votre sécurité et celle des personnes qui vous entourent, et éviter d'endommager l'appareil. Le non-respect de ces directives peut entraîner des dommages matériels ou des blessures corporelles :

- Désactivez l'appareil.
- Débranchez l'appareil de la source d'alimentation.
- Essayez doucement l'écran avec un chiffon doux et humide.

- Pulvérisez ou humidifiez le chiffon avec une solution de nettoyage sans alcool si vous le souhaitez.
- Une fois l'appareil complètement sec, rebranchez la source d'alimentation et remettez l'appareil en fonction.

Puissance

Puissance nominale de l'appareil

| | |
|--------------------------------|------------------------------------------|
| Alimentation électrique | Entrée: 100-240V, 50/60Hz 5.2A |
|--------------------------------|------------------------------------------|

Avis sur la puissance

Lisez attentivement les informations suivantes pour assurer le fonctionnement normal continu de l'appareil et pour veiller à votre sécurité personnelle et à celle de ceux qui vous entourent.

Assurez-vous que la prise électrique de l'appareil est facilement accessible et située à proximité de l'opérateur de l'appareil. S'il y a besoin de débrancher l'alimentation de l'appareil, l'opérateur doit être en mesure de débrancher rapidement le câble d'alimentation de la prise électrique.v

Déconnexion de la source d'alimentation

Respectez les directives suivantes lors de la connexion et de la déconnexion de l'alimentation électrique :

- Installez le bloc d'alimentation (PSU) avant de le brancher à la prise électrique.
- Débranchez le PSU de la prise électrique avant de le débrancher de l'appareil.

ATTENTION :

- Ne connectez pas l'adaptateur à un autre appareil.
- Lorsque vous débranchez le cordon d'alimentation, ne tirez pas sur le cordon lui-même - tirez sur la fiche.
- Ne placez aucun objet sur le cordon d'alimentation.
- Ne placez pas l'appareil dans un endroit où les personnes pourraient marcher sur le cordon d'alimentation.
- En cas d'utilisation d'une rallonge, assurez-vous que l'ampérage total des appareils reliés par la rallonge reste dans les limites admises. De même, vérifiez que l'ampérage de tous les appareils reliés à une même prise électrique ne dépasse pas la valeur du fusible.
- Ne surchargez pas une source d'alimentation en y branchant un trop grand nombre d'appareils. La charge globale du système ne doit pas dépasser 80 % de la capacité du circuit dérivé. Si des barrettes multiprise sont utilisées, la charge ne doit pas dépasser 80 % de la capacité en entrée de la barrette multiprise.

Avvertissement : Les cordons d'alimentation doivent être connectés à une prise électrique avec mise à la terre. Assurez-vous que la prise électrique est correctement mise à la terre. N'insérez pas la fiche dans une prise électrique non mise à la terre. Contactez votre électricien pour plus de détails.

Attention : il existe un risque d'explosion si la pile est remplacée par un type incorrect. Débarrassez-vous des piles usagées conformément aux réglementations locales.

Chapitre 2 : Informations sur la conformité

DÉCLARATION SUR LES BROUILLAGES DE LA COMMISSION FÉDÉRALE DES COMMUNICATIONS

Cet équipement a été testé et déclaré conforme aux limites d'un appareil numérique de classe A, conformément à la partie 15 des règles de la FCC. Ces limites sont conçues pour fournir une protection raisonnable contre les brouillages nuisibles lorsque l'équipement est utilisé dans un environnement commercial. Cet équipement génère, utilise et peut émettre de l'énergie de radiofréquence et, s'il n'est pas installé et utilisé conformément au mode d'emploi, peut causer des brouillages nuisibles aux communications radio. L'utilisation de cet équipement dans une zone résidentielle est susceptible de provoquer des brouillages nuisibles, auquel cas l'utilisateur devra corriger ces brouillages à ses propres frais.



ATTENTION :

Tout changement ou modification non expressément approuvé par le détenteur de cet appareil pourrait annuler l'autorisation de l'utilisateur à utiliser l'équipement.

Avertissement sur l'exposition aux RF

Cet équipement doit être installé et utilisé conformément aux instructions fournies et les antennes utilisées pour cet émetteur doivent être installées de manière à assurer une distance de séparation d'au moins 20 cm de toute personne et ne doivent pas être co-localisées ou fonctionner en conjonction avec toute autre antenne ou émetteur. Les utilisateurs finaux et les installateurs doivent recevoir les instructions d'installation de l'antenne et les conditions de fonctionnement de l'émetteur pour satisfaire à la conformité en matière d'exposition aux RF.

Norme d'équipement d'Industrie Canada pour l'équipement numérique (ICES) – Déclaration de conformité du Canada

Cet appareil numérique de la classe A est conforme à la norme NMB-003 du Canada, CAN ICES-3 (A)/NMB-3(A)

Déclaration de conformité d'Innovation, Science et Développement économique Canada (ISED)

Le présent appareil est conforme aux CNR d'ISED applicables aux appareils radio exempts de licence. L'exploitation est autorisée aux deux conditions suivantes : (1) l'appareil ne doit pas produire de brouillage préjudiciable, et (2) cet appareil doit accepter tout brouillage reçu, y compris un brouillage susceptible de provoquer un fonctionnement indésirable.

Attention :

Les utilisateurs devraient aussi être avisés que :

- (i) les appareils fonctionnant dans la bande 5150–5250 MHz sont réservés uniquement pour une utilisation à l'intérieur afin de réduire les risques de brouillage préjudiciable aux systèmes de satellites mobiles utilisant les mêmes canaux ;
- (ii) le gain maximal d'antenne permis pour les appareils utilisant les bandes 5250–5350 MHz et 5470–5725 MHz doit se conformer à la limite de p.i.r.e. ; et
- (iii) le gain maximal d'antenne permis pour les appareils utilisant la bande 5725–5825 MHz doit se conformer à la limite de p.i.r.e. spécifiée pour l'exploitation point à point et non point à point, selon le cas. De plus, les utilisateurs de radars de haute puissance sont désignés utilisateurs principaux (c.-à-d., qu'ils ont la priorité) pour les bandes 5250–5350 MHz et 5650–5850 MHz et que ces radars pourraient causer du brouillage et/ou des dommages aux appareils LAN-EL.

Informations concernant l'exposition aux fréquences radio (RF)

La puissance de sortie émise par l'appareil de sans fil est inférieure à la limite d'exposition aux fréquences radio d'ISED Canada (ISED). Utilisez l'appareil de sans fil de façon à minimiser les contacts humains lors du fonctionnement normal.

Cet appareil a également été évalué et démontré conforme aux limites d'exposition aux RF d'ISED dans des conditions d'exposition à des appareils mobiles (antennes sont supérieures à 20 cm à partir du corps d'une personne).

Déclaration de conformité CE RED

Avocor Europe

Deltazijde 14n, 12612M Blicurum, Pays-Bas

Déclaration de conformité UE

Par la présente, Avocor Europe déclare que les équipements radioélectriques de type AVM-6570 sont conformes à la directive 2014/53/UE.

Le texte intégral de la déclaration de conformité UE est disponible à l'adresse Internet suivante : <https://avocorna.zendes.com/hc/en-us/articles/4424562758541>

Déclaration de conformité du Royaume-Uni

Par la présente, Avocor Europe déclare que les équipements radioélectriques de type AVM-6570 sont conformes aux exigences essentielles et aux autres dispositions pertinentes du Règlement sur les équipements radioélectriques 2017 (Radio Equipment Regulations 2017).

Le texte intégral de la déclaration de conformité du Royaume-Uni est disponible à l'adresse Internet suivante : <https://avocorna.zendes.com/hc/en-us/articles/4424562758541>

L'appareil est limité à une utilisation en intérieur uniquement lorsqu'il fonctionne dans la gamme de fréquences de 5150 à 5350 MHz.

Avertissement sur l'exposition aux RF

Cet appareil répond aux exigences de l'UE (2014/53/UE) relatives à la limitation de l'exposition du grand public aux champs électromagnétiques au titre de la protection de la santé.

L'appareil est conforme aux spécifications RF lorsqu'il est utilisé à 20 cm de votre corps.

| | | | | | | | | |
|--|----|----|----|----|----|----|----|----|
| | AT | BE | BG | CH | CY | CZ | DK | DE |
| | EE | EL | ES | FI | FR | HR | HU | IE |
| | IS | IT | LT | LU | LV | MT | NL | PL |
| | PT | RO | SI | SE | SK | NI | | |

| | |
|--|----|
| | UK |
| | |
| | |



Tous les modes opérationnels :

| Technologies | Gamme de fréquences (MHz) | Max. Puissance de transmission |
|--------------|---------------------------|--------------------------------|
| Bluetooth | 2402-2480 MHz | 12,51 dBm |
| Bluetooth LE | 2402-2480 MHz | 9,05 dBm |
| WLAN 2,4 GHz | 2412-2472 MHz | 18,68 dBm |
| WLAN 5 GHz | 5180-5240 MHz | 20,80 dBm |
| WLAN 5 GHz | 5260-5320 MHz | 21,10 dBm |
| WLAN 5 GHz | 5500-5700 MHz | 22,26 dBm |
| WLAN 5 GHz | 5745-5825 MHz | 13,79 dBm |

| Technologies | Gamme de fréquences (MHz) | Max. Puissance de transmission |
|--------------|---------------------------|--------------------------------|
| SRD 24 GHz | 24000-24250 MHz | -6,80 dBm |

Chapitre 3 : Informations relatives à l'environnement

Recyclage et information environnementale

Avocor encourage les propriétaires d'équipements informatiques à recycler de manière responsable leur équipement lorsqu'il n'est plus nécessaire.

Élimination et recyclage

Descarte a batería e os accesorios de acordo co as leis ou regulamentos locais.

Informations importantes sur la batterie et les DEEE



Symboles de la directive DEEE et de la directive sur les batteries signifient que, conformément aux lois et réglementations locales, votre produit et sa ou ses batteries doivent être éliminés séparément des ordures ménagères. Lorsque ce produit arrive en fin de vie, apportez-le dans un point de collecte désigné par les autorités locales pour qu'il y soit éliminé ou recyclé en toute sécurité. La collecte séparée et le recyclage de votre produit, de ses accessoires électriques et de sa ou ses batteries contribueront à la conservation des ressources naturelles, à la protection de la santé humaine et de l'environnement.

Directive relative à la limitation de l'utilisation de substances dangereuses (directive RoHS) RoHS Union européenne

Ce produit, ainsi que les pièces incluses (câbles, cordons, etc.), répondent aux exigences de la directive 2015/863/UE relative à la limitation de l'utilisation de certaines substances dangereuses dans les équipements électriques et électroniques (RoHS 3).

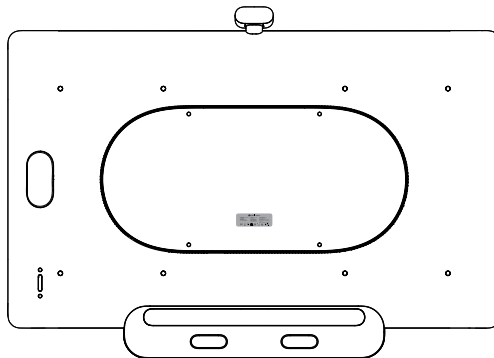
Pour plus d'informations sur la conformité mondiale d'Avocor en matière de RoHS, rendez-vous sur <https://avocorna.zendes.com/hc/en-us/articles/4424574461453>



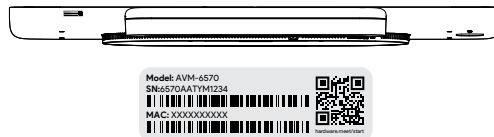


Localizar as etiquetas do produto

A etiqueta principal do produto está localizada perto do centro do padrão VESA na parte de trás do Series One Board 65 (ver a imagem abaixo para referência). Se um mecanismo de montagem (como o suporte de mesa incluído ou um suporte de parede de terceiros) estiver instalado, terá de removê-lo para aceder a etiqueta:



A etiqueta do número de série está localizada na borda inferior do ecrã. Pode encontrar o link para a página de apoio Meet+Avocor, o número de série e informações do modelo:



Model: AVM-6570
S/N: S700437FM1234
MAC: XXXXXXXXXX

Capítulo 1: Informações de segurança

Segurança geral

AVISO: SIGA ESTAS ORIENTAÇÕES PARA GARANTIR A SUA SEGURANÇA E A SEGURANÇA DAS PESSOAS À SUA VOLTA. O INCUMPRIMENTO DAS SEGUINTES ORIENTAÇÕES VIOLA O CONTRATO DE GARANTIA E PODE RESULTAR EM DANOS NO DISPOSITIVO OU LESÕES PESSOAIS.

O DISPOSITIVO E RESPECTIVOS ACESSÓRIOS PODEM CONTER PEÇAS PEQUENAS. MANTENHA-OS FORA DO ALCANCE DE CRIANÇAS OU ANIMAIS DE ESTIMAÇÃO.

EM NENHUMA CIRCUNSTÂNCIA DEVERÁ:

- Tentar reparar ou desmontar o produto. Isso deve ser deixado isso a um técnico de reparação autorizado da Avocor.
- Expor o dispositivo a luz solar direta ou áreas com temperaturas ambiente excessivamente altas, como perto de um radiador ou forno.
- Instalar o dispositivo onde possa estar exposto a humidade atmosférica excessiva, poeira, sujidade ou pressão do ar extremamente baixa.
- Mergulhar o dispositivo em líquido ou derramar qualquer tipo de líquido sobre ele.
- Deixar cair, bater, riscar, torcer, golpear, sacudir, esmagar, perfurar ou danificar de alguma outra forma o dispositivo.
- Colocar objetos pesados sobre o dispositivo.
- Sujeitar o dispositivo a choques ou vibrações fortes.
- Submeter o dispositivo a campos magnéticos.
- Colocar o dispositivo em suportes, como um suporte móvel, base ou mesa instáveis ou outras superfícies irregulares; podem ocorrer danos ou lesões corporais se o dispositivo cair.
- Cobrir ou bloquear aberturas ou janelas de ventilação do dispositivo.
- Deixar que as aberturas de saída de calor e o adaptador de CA do dispositivo entrem em contacto com a sua pele ou corpo.
- Empurrar ou introduzir quaisquer objetos não compatíveis, de qualquer tipo, em quaisquer ranhuras ou aberturas do dispositivo, porque podem tocar em pontos sob tensão perigosos curto-circuitar peças, o que poderia resultar em incêndio ou choque elétrico.

Aviso de saco de plástico

PERIGO: OS SACOS DE PLÁSTICO PODEM SER PERIGOSOS. MANTENHA OS SACOS DE PLÁSTICO AFASTADOS DE BEBÊS E CRIANÇAS PARA EVITAR O PERIGO DE ASFIXIA.

Aviso de pilha de lítio de botão

AVISO: HÁ PERIGO DE EXPLOSAO SE A PILHA DE LÍTIO FOR SUBSTITUÍDA INCORRETAMENTE. EM NENHUMA CIRCUNSTÂNCIA DEVE INTERVIR NA PILHA DO DISPOSITIVO. RELATE QUAISQUER PROBLEMAS AO SEU TÉCNICO DE SERVIÇO AUTORIZADO DA AVOCOR.

As instalações de reparação ou técnicos autorizados pela Avocor reciclam as pilhas Avocor de acordo com as leis e regulamentos locais. A pilha contém lítio e pode explodir se não for usada, manuseada ou eliminada corretamente. Engolir a pilha de lítio de botão causará asfixia ou queimaduras internas graves em apenas duas horas e poderá mesmo resultar em morte. Manter as pilhas afastadas das crianças. Se a pilha de lítio for engolida ou colocada dentro de qualquer parte do corpo, procure assistência médica imediatamente.

Suportes de montagem

Este dispositivo pode ser compatível com um suporte de mesa, carrinho móvel ou suporte de parede. Siga estas orientações gerais ao instalar as ferragens de montagem:

- Use apenas as ferragens fornecidas com o seu dispositivo ou um equivalente autorizado.
 - Usar parafusos mais curtos do que os que vêm com o dispositivo pode resultar em insuficiente resistência da montagem e parafusos mais longos podem perfurar componentes no interior do dispositivo.
- Desligue o dispositivo da alimentação e remova todos os fios externos e dispositivos ligados antes

- de instalar um suporte de montagem ou base.
- Instale o suporte ou base sobre uma superfície uniforme e estável que suporte suficientemente o peso do dispositivo.
- Não instale o dispositivo num ambiente perigoso ou incompatível, como os listados anteriormente em "Segurança Geral".

Cuidado: O suporte de parede para o ecrã Avocor AVM-6570 é o Avocor AVM-WMNT-65. Para evitar ferimentos, este dispositivo tem de ser fixado à parede com segurança, de acordo com as instruções de instalação fornecidas com o suporte. Use apenas os elementos de montagem e os parafusos que acompanham o dispositivo e o suporte de parede AVM-WMNT-65. O suporte tem de ser fixado aos locais de montagem VESA do ecrã Avocor AVM-6570, usando os quatro parafusos M8x1,25 (parafusos sextavados de cabeça plana) e é necessária uma profundidade de rosca de 20 mm para a montagem segura. Selecione a combinação correta de parafusos/espaciador para o suporte. Fixe o suporte com quatro parafusos M8x3,6 de 80 mm (cabeça sextavada) e anilhas de aço 15mm x 8,5mm à parede. Coloque o suporte do ecrã na fixação da parede. A não utilização de elementos corretos ou o incumprimento das instruções de montagem podem danificar o dispositivo ou causar a sua queda, o que poderá resultar em ferimentos graves ou morte.

Carrinho móvel

Cuidado: O suporte para ecrã Avocor AVM-6570 é o Avocor AVM-STND-65. Fixe o suporte com quatro parafusos M8x1,25 de 20 mm ao ecrã e coloque-o no suporte. Este suporte (AVM-STND-65) destina-se a ser usado apenas com o Avocor AVM-6570. A não utilização de elementos corretos ou o incumprimento das instruções de montagem podem danificar o dispositivo ou causar a sua queda, o que poderá resultar em ferimentos graves ou morte.

Assistência e manutenção

CUIDADO: NÃO TENHA FÉZER A MANUTENÇÃO DO PRODUTO POR SI MESMO. PROCURE UM TÉCNICO APROVADO PELA AVOCOR PARA QUAISQUER REPARAÇÕES OU MANUTENÇÕES NECESSÁRIAS.

Abriu ou remover tampas não só viola o contrato de garantia, como também expõe pontos de tensão perigosos e outros riscos que podem resultar em ferimentos ou danos em bens. Isso deve ser deixado a técnicos qualificados e aprovados pela Avocor.

Desligue o dispositivo da tomada e consulte o pessoal de manutenção qualificado nas seguintes circunstâncias:

- O fio de alimentação ou a ficha estão danificados, cortados ou desgastados.
- Foi derramado líquido no dispositivo.
- O produto caiu ou a carcaça ficou danificada.
- O produto mostrar uma alteração significativa de desempenho, indicando necessidade de assistência.
- O dispositivo não funcionar normalmente depois de seguidas das instruções de operação.

Orientações de assistência para técnicos

- Mantenha a devida arrumação na área do dispositivo durante e após a manutenção.
- Não execute qualquer ação que cause riscos ao cliente, ou que tome o equipamento inseguro.
- Coloque as tampas removidas e outras peças num local seguro, longe de qualquer pessoa, enquanto estiver a fazer a manutenção do dispositivo.
- Use apenas peças aprovadas pela Avocor para realizar a reparação.
- Reinstale todas as tampas corretamente antes de devolver o dispositivo ao cliente.

Limpeza

CUIDADO: NUNCA PULVERIZE LÍQUIDO OU SOLUÇÃO DE LIMPEZA DIRETAMENTE NO DISPOSITIVO.

As orientações a seguir destinam-se a garantir a sua segurança, a segurança das pessoas à sua volta e evitar danos no dispositivo. O incumprimento destas orientações pode resultar em danos materiais ou lesões corporais:

- Desligue o dispositivo.
- Desligue o dispositivo da fonte de alimentação.



3. Limpe suavemente o ecrã com um pano macio e húmido.
 - o Pulverize ou humedecça o pano com uma solução de limpeza não alcoólica, se desejar.
4. Quando o dispositivo estiver completamente seco, volte a ligar a fonte de alimentação e reinicie a operação.

Energia

Potência nominal do dispositivo

| | |
|-----------------------|-------------------------------------|
| Tensão de alimentação | Entrada: 100-240V ~ 50-60Hz 5.2A |
|-----------------------|-------------------------------------|

Notas sobre a alimentação elétrica

Leia atentamente as informações a seguir para garantir a operação normal e contínua do dispositivo e a sua segurança pessoal e a das pessoas à sua volta.

Certifique-se de que a tomada elétrica para o dispositivo esteja facilmente acessível e localizada nas proximidades do operador do dispositivo. Se surgir a necessidade de desligar a energia do dispositivo, o operador deve poder desligar rapidamente o fio de alimentação da tomada elétrica.

Desligar a fonte de alimentação

Tenha em consideração as seguintes orientações ao ligar e desligar a alimentação da fonte de alimentação do dispositivo:

- Instale a fonte de alimentação (PSU) antes de ligar à tomada elétrica.
- Desligue a PSU da tomada elétrica antes de desligar do dispositivo.

CUIDADO:

- Não ligue o adaptador a qualquer outro dispositivo.
- Ao desligar o fio de alimentação, não puxe pelo fio; puxe sempre pela ficha.
- Não permita que alguma coisa pise o fio de alimentação.
- Não localize o dispositivo num local em que haja pessoas a pisar o fio de alimentação.
- Se for usado um fio de extensão com este dispositivo, certifique-se de que a classificação total em amperes do equipamento ligado ao fio de extensão não exceda a classificação em amperes do fio de extensão. Além disso, certifique-se de que a classificação total de todos os dispositivos ligados à tomada não exceda a classificação do fusível.
- Não sobrecarregue uma fonte de alimentação ligando demasiados dispositivos. A carga total do sistema não deve exceder 80% da classificação do circuito de derivação. Se forem usadas régua de alimentação, a carga não deve exceder 80% da classificação de entrada da régua de alimentação.

Aviso: Os cabos de alimentação devem ser ligados a uma tomada com ligação à terra. Certifique-se de que a tomada esteja devidamente ligada à terra. Não introduza a ficha numa tomada sem ligação de terra. Contacte o seu electricista para obter detalhes.

Cuidado: Existe o risco de explosão se a bateria for substituída por outra de tipo incorreto. Elimine as baterias usadas de acordo com os regulamentos locais.

Capítulo 2: Informações de Conformidade

DECLARAÇÃO DE INTERFERÊNCIAS DA COMISSÃO FEDERAL DE COMUNICAÇÕES

Este equipamento foi testado e considerado em conformidade com os limites de um dispositivo digital de Classe A, de acordo com a parte 15 do Regulamento FCC. Estes limites destinam-se a assegurar uma proteção razoável contra interferências nocivas, sempre que o equipamento for operado em ambiente comercial. Este equipamento gera, usa e pode irradiar energia de radiofrequência e, se não for instalado e usado de acordo com o manual de instruções, poderá causar interferência prejudicial às radio-comunicações. O funcionamento deste equipamento numa área residencial pode causar interferência prejudicial. Nesse caso, o utilizador será obrigado a corrigir a interferência às suas próprias custas.

CUIDADOS:

Qualquer alterações ou modificações não expressamente aprovadas pelo fabricante deste dispositivo podem anular a autoridade do utilizador para operar o equipamento.

Aviso de exposição a RF

Este equipamento tem de ser instalado e operado de acordo com as instruções fornecidas e a(s) antena(s) usada(s) para este transmissor deve(m) ser instalada(s) para fornecer uma distância de separação de pelo menos 20 cm de todas as pessoas e não deve(m) ser colocalizada(s) ou operar em conjunto com qualquer outra antena ou transmissor. Os utilizadores finais e instaladores devem dispor das instruções de instalação da antena e condições de operação do transmissor para satisfazer a conformidade de exposição a RF.

Declaração de Conformidade do Canadá - (Industry Canada Equipment Standard for Digital Equipment, ou ICES)

Este aparelho digital de Classe A está em conformidade com a ICES-003 canadiana, CAN ICES-3 (A)/NMB-3(A)

Cet appareil numérique de la classe A est conforme à la norme NMB-003 du Canada.

Declaração de conformidade de Inovação, Ciência e Desenvolvimento Económico Canadá (Innovation, Science and Economic Development Canada, ou ISED)

Este dispositivo está em conformidade com as normas RSS isentas de licença ISED.

O funcionamento do aparelho está sujeito às seguintes duas condições: (1) este dispositivo não pode causar interferência, e (2) este dispositivo tem de aceitar qualquer interferência, incluindo interferências que possam causar operação não desejada do dispositivo.

Cuidado:

O utilizador deve também ser avisado de que:

- (i) o dispositivo para operação na banda de 5150-5250 MHz é apenas para utilização em interior para reduzir o potencial de interferência prejudicial em sistemas móveis de satélite de coccana;
- (ii) o ganho máximo de antena permitido para dispositivos nas bandas de 5250-5350 MHz e 5470-5725MHz tem de cumprir o limite e.i.r.p. e
- (iii) o ganho máximo de antena permitido para dispositivos na banda de 5725-5825 MHz tem de cumprir os limites e.i.r.p. especificados para operação ponto a ponto e não ponto a ponto, conforme apropriado. Os radares de alta potência são atribuídos como utilizadores primários (ou seja, utilizadores prioritários) das bandas de 5250-5350 MHz e 5650-5850 MHz e esses radares podem causar interferência e/ou danos aos dispositivos LE-LAN.

Informações de exposição a radiofrequência (RF)

A potência de saída irradiada do dispositivo sem fios está abaixo dos limites de exposição à radiofrequência de Inovação, Ciência e Desenvolvimento Económico do Canadá (Innovation, Science and Economic Development Canada, ou ISED). O dispositivo sem fios deve ser usado de forma a que o potencial de contacto humano durante o funcionamento normal seja minimizado. Este dispositivo também foi avaliado e demonstrou estar em conformidade com os limites de exposição a RF ISED sob condições de exposição móvel. (As antenas estão a mais de 20 cm do corpo de uma pessoa).

Declaração de conformidade CE RED

Avocor Europe

Deltazijde 14n, 12612M Blaricum, Países Baixos

Declaração de conformidade UE

Por esta via, a Avocor Europe declara que o equipamento de rádio do tipo AVM-6570 está em conformidade com a Diretiva 2014/53/UE.

O texto integral da declaração UE de conformidade está disponível no seguinte endereço da internet:

<https://avocorna.zendesk.com/hc/en-us/articles/4424562758541>

Declaração de conformidade do Reino Unido

Por esta via, a Avocor Europe declara que o equipamento de rádio do tipo AVM-6570 está em conformidade com os requisitos essenciais e outras disposições relevantes dos Regulamentos de Equipamentos de Rádio de 2017.


O texto completo da Declaração de Conformidade do Reino Unido pode ser encontrado no seguinte endereço da internet: <https://avocorna.zendesk.com/hc/en-us/articles/4424562758541>


O dispositivo está restringido a utilização apenas em interiores quando a operar na banda de frequência de 5150 a 5350 MHz.

Aviso de exposição a RF

Este dispositivo cumpre os requisitos da UE (2014/53/UE) relativos à limitação da exposição da população aos campos eletromagnéticos para proteção da saúde.

O dispositivo está em conformidade com as especificações de RF quando o dispositivo é usado a 20 cm do corpo.

| | | | | | | | | |
|-------------------------------------------------------------------------------------|----|----|----|----|----|----|----|----|
|  | AT | BE | BG | CH | CY | CZ | DK | DE |
| | EE | EL | ES | FI | FR | HR | HU | IE |
| | IS | IT | LT | LU | LV | MT | NL | PL |
| | PT | RO | SI | SE | SK | NI | | |

| | |
|-------------------------------------------------------------------------------------|----|
|  | UK |
| | |



Todos os modos de operação:

| Tecnologias | Banda de frequência (MHz) | Max. Puissance de transmission |
|--------------|---------------------------|--------------------------------|
| Bluetooth | 2402-2480 MHz | 12.51 dBm |
| Bluetooth LE | 2402-2480 MHz | 9.05 dBm |
| WLAN 2.4 GHz | 2412-2472 MHz | 18.68 dBm |
| WLAN 5 GHz | 5180-5240 MHz | 20.80 dBm |
| WLAN 5 GHz | 5260-5320 MHz | 21.10 dBm |
| WLAN 5 GHz | 6500-5700 MHz | 22.26 dBm |

- 電源線或插頭損壞，切斷或磨損。
- 液體溢出到設備中。
- 設備跌落或受到外部損壞。
- 設備在性能上出現明顯變化，需要維修。
- 在根據操作說明操作後，設備仍無法正常運行。
- 技術人員服務指南
- 在維修設備期間和之後，請遵守設備區域的良好內務。
- 請勿進行任何導致客戶危險的操作，或使設備不安全。
- 在維修設備時，將拆下的蓋子和其他部件放在安全的地方，避免他人接觸。
- 僅使用Avocoro認可的零件來維修。
- 在將設備返還給客戶前，請確保所有蓋子都安裝到位。

清潔

注意：切勿將液體或清潔液直接噴塗到設備上。

以下準則只是為了確保您和周圍的人的安全，並防止設備的損壞。如不遵守這些準則，可能會導致財產損失或身體傷害。

1. 關閉設備。
2. 從電源上斷開設備的連接。
3. 用一項柔軟的濕布輕輕地擦拭螢幕。如有需要，用非酒精的清潔液噴灑或浸濕布。
4. 待設備完全乾燥，重新插入電源並恢復操作。

電源

設備額定功率

| | |
|------|--------------------------------|
| 電源輸入 | 輸入: 100-240V ~ 50-60Hz 5.2A |
|------|--------------------------------|

電源說明

請仔細閱讀以下資訊，以確保設備的持續正常運行以及您和周圍的人的人身安全。
確保設備電源插座容易接近，並位於設備操作者附近。如需斷開設備電源，操作者必須能夠迅速從電源插座上斷開電源線。

斷開電源

在連接和斷開電源裝置的電源時，請遵守以下準則：
• 在連接到電源插座之前，請安裝電源裝置 (PSU)
• 在從設備上拔下插頭之前，將PSU從電源插座上斷開。

警告

- 請勿將適配器連接到任何其他設備上。
- 拔掉電源線時，不要拉住電源線本身 - 拉住插頭。
- 不要在電源線上放置任何東西。
- 不要將設備放置在人們會在電源線上走動的地方。
- 如果本設備使用延長線，請確保插入延長線的設備的總額定電流不超過延長線的額定電流。另外，請確保所有插入牆上插座的設備的總額定電流不超過保險絲的額定值。
- 不要因為插入太多設備而使電源過載。整個系統的負載不得超過分支電路額定值的80%。如使用電排插，負載不應超過電源排插輸入額定值的80%。

警告：電源線應連接到有地線的插座上。確保電源插座正確接地。不要將插頭插入未接地的電源插座。詳情請聯繫您的電工。

警告：如果更換的電池類型不正確，有爆炸危險。請按照當地法規處理廢舊電池。

美國聯邦傳播委員會幹擾聲明

本設備已通過測試，符合FCC規則第15部分規定的A類數位設備的限制。這些限制旨在為設備在商業環境中運行提供合理的保護，防止有害幹擾。本設備會產生、使用並放射無線電頻率能量。如不按照說明書的要求安裝和使用，可能會對無線電通信造成有害幹擾。在住宅區使用本設備可能會造成有害幹擾。在這種情況下，使用者將被要求自費糾正幹擾。

本設備符合FCC規則的第15部分。操作須符合以下兩個條件：(1)本設備不得造成有害幹擾。(2)本設備必須接受任何收到的幹擾，包括可能造成不希望的操作的幹擾。

警告：

任何未經本設備授權人明確批准的改變或修改都可能使使用者操作本設備的權力失效。

射頻暴露警告

本設備必須按照所提供的說明進行安裝和操作。用於本發射機的天線必須安裝在聽所有人至少20厘米的地方，不得與任何其他天線或發射機共處一地一起操作。終端使用者和安裝人員必須得到天線安裝說明和發射器的操作條件，以滿足射頻暴露的要求。

加拿大工業局數位設備標準 (ICES) - 加拿大合規聲明

本A類數位設備符合加拿大ICES-003標準。

加拿大創新、科學和經濟發展部 (ISED) 合規聲明

本設備符合ISED的免於許可的RSS標準。

操作須符合以下兩個條件：(1)本設備不得造成幹擾。(2)本設備必須接受任何幹擾，包括可能造成本設備不希望的操作的幹擾。

警告：

用戶應留意告知如下：

- (i) 在5150-5250MHz頻段工作的設備只能在室內使用，以減少對同通道移動衛星系統的有害幹擾的可能性。
- (ii) 在5250-5350兆赫和5470-5725兆赫頻段的設備允許的最大天線增益應符合e.i.r.p.限制；以及
- (iii) 5725-5825MHz頻段內的設備所允許的最大天線增益應符合為對點對點和點對點操作所規定的e.i.r.p.限制。高功率雷達分配為5250-5350MHz和5650-5850MHz頻段的主要用戶（即優先用戶），這些雷達可針對L-LAN設備造成幹擾和/或損壞。

無線電頻率 (RF) 暴露資訊

無線設備的輻射輸出功率低於加拿大創新、科學和經濟發展部 (ISED) 的無線電頻率暴露限制。在使用無線設備時，應盡量減少正常操作時與人接觸的可能性。

本設備也經過評估，顯示在移動暴露條件下符合ISED的射頻暴露限制。(天線距離人的身體大於20釐米)。

CE RED合規性聲明

歐盟符合性聲明
在此，Avocoro歐洲公司聲明，AVM-6570型無線電設備符合Directive 2014/53/EU。
歐盟符合性聲明的全文可在以下互聯網址獲得。
<https://avocorna.zendes.com/hc/en-us/articles/4424562758541>

英國符合性聲明

在此，Avocoro歐洲公司聲明，AVM-6570型無線電設備符合《無線電設備條例2017》的基本要求和其他相關規定。

英國符合性聲明的全文可在以下互聯網址找到：<https://avocorna.zendes.com/hc/en-us/articles/4424562758541>

在5150至5350兆赫的頻率範圍內工作時，該設備只限於室內使用。

射頻暴露警告

本設備符合歐盟關於以保護健康的方式限制公眾接觸電磁場的要求 (2014/53/EU)。
當設備在距離你的身體20釐米處使用時，本設備符合射頻限制。

| | | | | | | | | |
|--|----|----|----|----|----|----|----|----|
| | AT | BE | BG | CH | CY | CZ | DK | DE |
| | EE | EL | ES | FI | FR | HR | HU | IE |
| | IS | IT | LT | LU | LV | MT | NL | PL |
| | PT | RO | SI | SE | SK | NI | | |

| | |
|--|----|
| | UK |
| | |



所有操作模式

| 技術 | 頻率範圍 (MHz) | 最大發射功率 |
|---------------|-----------------|-----------|
| 藍牙 | 2402-2480 MHz | 12.51 dBm |
| 藍牙 LE | 2402-2480 MHz | 9.05 dBm |
| 無線局域網 2.4 GHz | 2412-2472 MHz | 18.68 dBm |
| 無線局域網 5 GHz | 5180-5240 MHz | 20.80 dBm |
| 無線局域網 5 GHz | 5260-5320 MHz | 21.10 dBm |
| 無線局域網 5 GHz | 5500-5700 MHz | 22.26 dBm |
| 無線局域網 5 GHz | 5745-5825 MHz | 13.79 dBm |
| SRD 2.4 GHz | 24000-24250 MHz | -6.80 dBm |

第三章：環境資訊

回收和環境資訊

處置和回收

重要的電池和WEEE資訊

WEEE和電池指令的符號意味著，根據當地法律和法規，您的產品及其電池應與家庭垃圾分開處理。當本產

品達到使用期限時，請將其送到當地政府指定的收集點進行安全處置或回收。對您的產品及其電氣附件和電池進行分類收集和回收，將有助於保護自然資源，保護人類健康，並有利於環境。

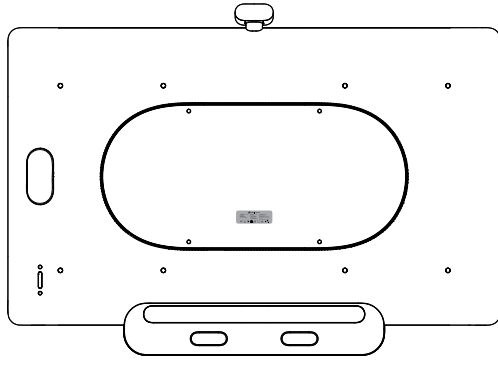
危險物質限制 (RoHS) 指令 歐盟RoHS

本產品及所含部件（電纜、電線等）符合2015/863/EU的要求即（RoHS 3），該指令是關於限制在電氣和電子設備中使用某些有害物質的指令。

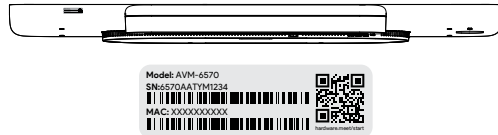
有關Avocor在全球範圍內遵守RoHS的更多資訊，請訪問<https://avocorna.zendesks.com/hc/en-us/articles/4424574461453>。

確定產品標籤的位置

主產品標籤位於Series One Board 65背面的VESA圖案的中心附近（見下文圖片以供參考）。如果安裝了安裝機構（例如配件中的桌面架或第三方牆壁安裝支架），則必須將其移除以便找到標籤。



序列號標籤位於顯示屏的底部邊緣。您可以在那里找到Meet + Avocor支持頁面的鏈接、序列號和型號信息。



第一章：安全信息

一般安全

警告：遵守這些準則以確保您和您周圍的人的安全。不遵守以下準則將違反保修協議，可能導致設備損壞或人身傷害。

您的設備及其改進產品可能含有小部件。請將它們放在兒童或寵物接觸不到的地方。

在任何情況下，請不要：

- 嘗試修理或拆卸產品 - 將此留給Avocor授權維修技術人員。
- 將設備暴露於陽光直射的區域或高环境温度區域，例如散熱器或火爐附近。
- 此表在 0 °C至 35 °C 的环境溫度下使用。
- 將设备安装在不穩定表面，灰尘，污垢或低气压的环境中。
- 將部件浸入液体中，或在设备上洒任何种类的液体。
- 以下列方式损坏设备，例如掉落，碰撞，划伤，扭曲，撞击，震动，推挤，压碎，穿刺或以其他方式將重物放置在设备上。
- 將设备进行严重冲击或震动。
- 將设备放置在磁场中。
- 將设备放在不稳定的推车，台面，桌子或其他不平整的表面上；如果设备跌落，可能会导致设备损坏或人身伤害。
- 將盖板或以其他方式堵塞设备上的通风口或抽排口。
- 让设备上的热通风口和AC适配器与您的皮肤或身体接触。
- 將任何类型的不良的物体插入设备上的任何开口或插槽，因为它们可能会接触到危险电压点或短路部件，导致火灾或电击。

塑料胶袋通知

危险：塑料袋可能有危险。將塑料袋放置在远离婴儿和儿童的地方，以避免产生窒息的危险。

纽扣锂电池通知

警告：如不正确更换锂电池，会有爆炸危险。在任何情况下，您都不能篡改本设备的电池。如有任何問題，請向Avocor授权的技术服务人员报告。

Avocor授权的维修机构或技术人员根据当地法律和法规对Avocor电池进行回收。电池会有电，如使用、处理或处置不当，会发生爆炸。若下纽扣式锂电池将在短两小时内造成窒息或严重的内部烧伤，甚至可能导致死亡。請將電池放置在远离儿童的地方。如果纽扣电池被吞下或放在身体的任何部位，请立即寻求医疗处理。

安装支架

本设备可能与桌面支架和墙壁安装支架兼容。在安装硬件时，请遵循这些一般准则：

- 只能使用设备附带的硬件，或授权的同类产品。
- 在安装支架底座前，请断开设备的电源并移除所有外部电缆和连接的设备。
- 將支架底座安装在一个均匀、稳定的表面上，以充分支持设备的重量。
- 不要將设备安装在不稳定或不兼容的环境中，如前面“一般安全”中所列的环境。

警告：用于AVM-6570显示器的壁挂架是Avocor, AVM-WMNT-65。较粗的螺丝会导致安装强度不足，较大的螺丝可能会刺穿显示器内部部件。设备可能会掉下来，造成严重的人身伤害或死亡。为防止受伤，必须按照随附的安装说明将本设备牢固地安装在墙上。將支架固定在Avocor, AVM-6570显示器上，必須在VESA安装位置上使用四个M8x1.25（螺釘，扁平六角）以及20mm的螺紋吻合，已达到安全安装的目的。选择正确的螺絲/垫片后进行安装，用四个M8x3.6，80mm（螺絲，六角形）和15mm x 8.5mm（呈形墊圈）將支架鎖在墙上后，再將显示器的支架挂在墙上的支架上。

脚架

警告：用于Avocor, AVM-6570显示器的脚架是Avocor, AVM-STND-65。用四个M8 x 1.25, 20mm的螺丝將支架鎖在显示器上，然后挂在脚架上。本脚架（AVM-STND-65）仅用于Avocor, AVM-6570使用。与其他的设备一起使用可能会导致不稳定，造成伤害。

服务与维护

警告：不要试图自己维修本产品。如果需要任何维修服务，請找Avocor认可的技术人员。自行打开或拆卸盖子不仅违反了保修协议，而且还暴露了危险的电压点和其他风险，可能导致伤害或财产损失。請交给合格的、經Avocor批准的技术人员来处理。

在下列情况下，請將设备从墙上的插座上拔下，并将维修工作交给合格的维修人员。

- 电源线或插头被损坏、切断或磨蚀。
- 液体溅入设备。
- 设备掉落或外壳损坏。
- 设备在性能上出现明显变化，表明需要维修。
- 遵循操作说明后，设备不能正常运行。

技术人员服务指南

- 在维护期间和之后，在设备区域遵守良好的内务管理。
- 不要进行任何会对客户造成危害或使设备不安全的行为。
- 在维修设备时，將拆下的盖子和其他部件放在安全的地方，远离所有人员。
- 只使用Avocor认可的零件来进行维修。
- 在將设备返还给客户之前，請正确地重新安装所有的盖子。

清洁

警告：不要將液体或清洁剂直接喷到设备上。

以下准则是为了确保您和您周围的人的安全，并防止设备的损坏。如不遵守这些准则，可能会导致财产损失或人身伤害。

1. 关闭设备。
2. 从电源上断开设备的连接。
3. 用一块柔软的湿布轻轻地擦拭屏幕。如有需要，用非酒精的清洁剂喷洒或浸湿布。
4. 待设备完全干燥，重新插入电源并恢复操作。

电源

设备额定功率

| | |
|------|--------------------------------|
| 电源输入 | 输入: 100-240V ~ 50-60Hz 5.2A |
|------|--------------------------------|

电源备注

請仔細閱讀以下信息，以確保設備的持續正常运行以及您和周圍的人的人身安全。

確保設備電源插頭容易接近，並位於設備操作者附近。如需斷開設備電源，操作者必須能夠迅速從電源插座上斷開電源線。

斷開電源

在連接和斷開電源和電源供應單元時，請遵守以下準則：

- 在连接到电源插座之前，請安裝電源裝置（PSU）。
- 在从设备上拔下插头之前，將PSU从电源插座上断开。

警告

- 請勿將適配器連接到任何其他設備。
- 拔出電源線時，請勿拉動電線本身 - 請接插頭。
- 不要在電源線上放置任何東西。
- 請勿將設備放置在人可能會踩到電源線的地方。
- 如果此設備需使用延長線，請確保插入延長線的設備的總安培額定值不超過延長線安培額定值。此外，



请确保插入上插座的所有器件的总额定值不超过熔丝额定值。
不要插入过多设备，导致超载电源。整体系统负载不得超过分支电路额定值的80%。如果使用电源插板，则负载不应超过电源插板输入额定值的80%。

警告：电源线应连接到有地线的插座上。确保电源插座正确接地。不要将插头插入未接地的电源插座。详情请联系您的电工。

警告：如果要换的电池类型不正确，有爆炸危险。请按当地法规处理废旧电池。

美国联邦通信委员会干扰声明

本设备已通过测试，符合FCC规则第15部分规定的A类数字设备的限制。这些限制旨在为设备在商业环境中运行时提供合理的保护，防止有害干扰。本设备会产生、使用并能辐射无线电频率能量，如不按说明书的要求安装和使用，可能会对无线电通信造成有害干扰。在住宅区操作本设备可能会导致有害干扰，在这种情况下，用户将被要求自费纠正干扰。

本设备符合FCC规则的第15部分。操作须符合以下两个条件：(1)本设备不得造成有害干扰，(2)本设备必须接受任何收到的干扰，包括可能造成不希望的操作的干扰。

警告：
任何未经本设备授权人明确批准的改变或修改都可能使用户操作本设备的权力失效。

射频暴露警告

本设备必须按照所提供的说明进行安装和操作，用于本发射机的天线必须安装在离所有人至少20厘米的地方，不得与任何其他天线或发射机共址一起操作。终端用户和安装人员必须得到天线安装说明和发射器的操作条件，以满足射频暴露的要求。

加拿大工业局数字设备标准 (ICES) - 加拿大合规声明

本A类数字设备符合加拿大ICES-003标准。

加拿大创新、科学和经济展部 (ISED) 合规声明

本设备符合ISED的免于许可的RSS标准。
操作须符合以下两个条件：(1)本设备不得造成干扰，(2)本设备必须接受任何干扰，包括可能造成本设备不希望的操作的干扰。

警告：

用户还应告知如下：

- (i) 在5150-5250MHz频段工作的设备只能在室内使用，以减少对同信道移动卫星系统的有害干扰的可能性。
- (ii) 在5250-5350兆赫和5470-5725兆赫频段的设备允许的最大天线增益应符合e.i.r.p.限制；以及
- (iii) 5725-5825MHz频段内的设备所允许的最大天线增益应符合为点对点和非点对点操作所规定的e.i.r.p.限制。高功率雷达频段为5250-5350MHz和5650-5850MHz频段的主要用户（即优先用户），这些雷达可能对LE-LAN设备造成干扰和/或损坏。

无线电频率 (RF) 暴露信息

无线设备的辐射输出功率低于加拿大创新、科学和经济展部 (ISED) 的无线电频率暴露限制。在使用无线设备时，应尽量减少正常操作时与人接触的可能性。

本设备也经过评估，显示在移动暴露条件下符合ISED的射频暴露限制。(天线距离人的身体大于20厘米)。

CE RED合规性声明

欧盟符合性声明

在此，Avocor欧洲公司声明，AVM-6570型无线电设备符合Directive 2014/53/EU。欧盟符合性声明的全文可在以下互联网地址获得。

<https://avocorna.zendes.com/hc/en-us/articles/4424562758541>

英国符合性声明

在此，Avocor欧洲公司声明，AVM-6570型无线电设备符合《无线电设备条例2017》的基本要求和任何其他相关规定。

英国符合性声明的全文可在以下互联网地址找到：<https://avocorna.zendes.com/hc/en-us/articles/4424562758541>

在5150至5350兆赫的频率范围内工作时，该设备仅限于室内使用。

射频暴露警告

本设备符合欧盟关于以保护健康的方式限制公众接触电磁场的要求 (2014/53/EU)。

当设备在距离用户的身体20厘米处使用时，本设备符合射频规范。

| | | | | | | | | |
|--|----|----|----|----|----|----|----|----|
| | AT | BE | BG | CH | CY | CZ | DK | DE |
| | EE | EL | ES | FI | FR | HR | HU | IE |
| | IS | IT | LT | LU | LV | MT | NL | PL |
| | PT | RO | SI | SE | SK | NI | | |

| | |
|--|----|
| | UK |
| | |
| | |
| | |



所有操作模式

| 技术 | 频率范围 (MHz) | 最大发射功率 |
|---------------|---------------|-----------|
| 蓝牙 | 2402-2480 MHz | 12.51 dBm |
| 蓝牙 LE | 2402-2480 MHz | 9.05 dBm |
| 无线局域网 2.4 GHz | 2412-2472 MHz | 18.68 dBm |
| 无线局域网 5 GHz | 5180-5240 MHz | 20.80 dBm |
| 无线局域网 5 GHz | 5260-5320 MHz | 21.10 dBm |
| 无线局域网 5 GHz | 5500-5700 MHz | 22.26 dBm |
| 无线局域网 5 GHz | 5745-5825 MHz | 13.79 dBm |

| 技术 | 频率范围 (MHz) | 最大发射功率 |
|------------|-----------------|-----------|
| SRD 24 GHz | 24000-24250 MHz | -6.80 dBm |

第三章：环境信息

回收和环境信息

处置和回收

重要的电池和WEEE信息

WEEE和电池指令的符号意味着，根据当地法律和法规，您的产品及其电池应与家庭垃圾分开处理。当本产品达到使用期限时，请将其送到当地政府指定的收集点进行安全处置或回收。对您的产品及其电气附件和电池进行分类收集和回收，将有助于保护自然资源，保护人类健康，并有利于环境。

危险物质限制 (RoHS) 指令

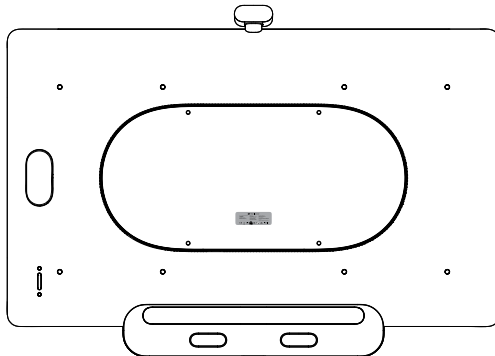
欧盟RoHS

本产品及其所含部件（电缆、电线等）符合2015/863/EU的要求即 (RoHS 3)。该指令是关于限制在电气和电子设备中使用某些有害物质的指令。

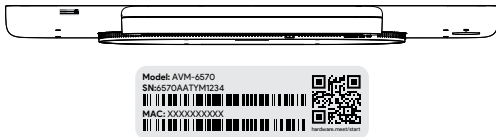
有关Avocor在全球范围内遵守RoHS的更多信息，请访问<https://avocorna.zendes.com/hc/en-us/articles/4424574461453>。

제품 라벨 찾기

주요 제품 라벨은 Series One Board 65 뒷면의 VESA 패턴 중앙 부분에 있습니다(아래 이미지 참조). 또한 힌트 데스크톱 스탠드 또는 타사 벽면 마운트 등의 마운트 메커니즘이 설치된 경우 레이아웃에 액세스하려면 이 메커니즘을 제거해야 합니다.



일련 번호 라벨은 디스플레이 하단 가장자리에 있습니다. 거기에서 Meet+Avocor 지원 페이지, 일련 번호 및 모델 번호에 대한 링크를 찾을 수 있습니다.



1장: 안전 정보

일반 안전

경고: 사용자의 안전과 사용자 주변 사람들의 안전을 보장하기 위해 다음 지침을 따라야합니다. 다음 지침을 준수하지 않을 경우 보증 계약과 제품이 손상되거나 부상을 입을 수 있습니다.

귀하의 제품 및 개선 사항에는 작은 부분이 포함되어 있습니다. 어린이나 애완동물의 손이 닿지 않는 곳에 보관하십시오.

주의 사항:

- 제품 수리 또는 분해 시도 - Avocor 공인 수리 기술자에게 맡기십시오.
- 직사광선이 비치는 곳이나 라디오테러나 화재 근지와 같이 주변 온도가 지나치게 높은 장소에 제품을 설치하지 마십시오.
- 과도한 습기, 먼지, 오물 또는 매우 낮은 기압에 제품을 설치하지 않기.
- 제품이 액체를 쏟거나 닿지 않기.
- 떨어뜨리거나, 부딪히거나, 누르거나, 비틀거나, 두드리거나, 흔들거나, 밀거나, 부수거나, 구멍을 내거나 제품을 손상시키지 않기.
- 제품 위에 무거운 물건을 올려 놓지 않기.
- 제품에 강한 충격이나 진동을 가하지 않기.
- 제품을 자석 주위에 설치하지 않기.
- 제품을 불안정한 카드, 스탠드, 테이블 또는 기타 고르지 않은 표면에 놓기. 제품이 떨어지면 파손 또는 신체적 상해가 발생할 수 있습니다.
- 제품의 동공이나 슬롯을 덮지 않기.
- 제품의 뜨거운 동공구와 AC 어댑터가 피부나 신체에 닿지 않도록 하십시오.
- 호환되지 않는 온도 중추의 물체를 제품의 슬롯이나 구멍에 밀어 넣거나 삽입하기. 이러한 행위는 위험한 전압 지점이나 단락 부품에 닿아 화재나 감전을 유발할 수 있습니다.

비닐봉지 주의사항

위험: 비닐 봉투는 위험할 수 있습니다. 질식의 위험을 피하기 위해 비닐 봉지를 아기와 어린이의 손이 닿지 않는 곳에 두십시오.

리튬 코인 셀 배터리 경고 사항

경고: 리튬 배터리를 잘못 교체할 경우 폭발 위험이 있습니다. 이러한 경우에도 제품의 배터리를 함부로 만지지 마십시오. 문제가 발생하면 AVOCOR 공인 서비스 기술자에게 보고하십시오.

Avocor 공인 수리 시설 또는 기술자는 전기 범람 및 규정 따라 Avocor 배터리를 재활용합니다. 배터리에는 리튬이 포함되어 있으므로 올바르게 사용, 취급 또는 폐기하지 않으면 폭발할 수 있습니다. 리튬 코인 셀 배터리를 상온 및 2시간 만에 올바르게 처리한 내부 회로를 얻을 수 있으며 사람이 이를 흡수할 수 있습니다. 배터리를 어린이의 손이 닿지 않는 곳에 보관하십시오. 리튬 코인 셀 배터리를 삼키거나 신체 일부에 넣은 경우 즉시 의사의 진료를 받으십시오.

마운팅 브래킷

이 제품은 탁상용 스탠드 및 벽면 마운팅 브래킷과 호환될 수 있습니다. 마운팅 하드웨어를 설치할 때 다음 일반 지침을 따르십시오.

- 제품과 함께 제공된 하드웨어 또는 승인된 하드웨어만 사용하십시오.
 - 장지와 함께 제공된 나사보다 짧은 나사를 사용하면 장착 강도가 부족할 수 있으며 나사가 길면 장치 내부 부품에 구멍이 날 수 있습니다.
- 마운팅 브래킷이나 스탠드를 설치하기 전에 제품의 전원을 분리하고 모든 외부 케이블 및 연결된 제품을 제거하십시오.
- 제품의 무게를 충분히 지탱할 수 있는 평평하고 안정적인 표면에 브래킷이나 스탠드를 설치하십시오.
- 이전에 "일반 안전" 항목에 나열된 것과 같은 위험하거나 호환되지 않는 환경에 제품을 설치하지 마십시오.

주의: Avocor, AVM-6570 디스플레이용 벽걸이용 Avocor, AVM-WMNT-65입니다. 부상을 방지하려면 마운트와 함께 제공된 설치 지침에 따라 이 장치를 벽에 단단히 부착해야 합니다. 장치 및 AVM-WMNT-65 벽면 장착과 함께 제공되는 장착 하드웨어와 나사만 사용하십시오. 마운트는 4개의 M8x1.25(나사, 평면 육각 소켓)를 사용하여 Avocor, AVM-6570 디스플레이용 VESA 장착 위치에 고정해야 하며 안전한 장착을 위해 20mm 나사 맞물림이 필요합니다. 마운트에 맞는 나사(나사머리 포함) 선택하십시오. 4개의 M8x3.680mm(나사, 육각 레그) 및 15mm x 8.5mm(스틸 와셔)를 브래킷을 벽에 고정합니다. 벽면 브래킷에 디스플레이의 브래킷을 겁니다. 올바른 하드웨어를 사용하지 않거나 장착 지침을 따르지 않으면 장치가 손상되거나 장치가 떨어질 심각한 부상이나 사망을 초래할 수 있습니다.

오버일 카트

주의: Avocor, AVM-6570 디스플레이용 스탠드는 Avocor, AVM-STND-65입니다. 4개의 M8 x 1.25, 20mm 나사로 브래킷을 디스플레이에 고정하고 스탠드에 걸 수 있습니다. 이 스탠드(AVM-STND-65)는 Avocor, AVM-6570 전용입니다. 올바른 하드웨어를 사용하지 않거나 장착 지침을 따르지 않으면 장치가 손상되거나 장치가 떨어질 심각한 부상이나 사망을 초래할 수 있습니다.

서비스 및 유지보수

주의: 제품을 직접 수리하려고 하지 마십시오. 수리나 서비스가 필요한 경우 AVOCOR 공인 기술자료를 찾으십시오.

덮개를 열거나 제거하는 것은 보증 계약을 위반할 뿐만 아니라 위험한 전압 지침 및 부상이나 재산 피해를 초래할 수 있는 기타 위험에 노출됩니다. 수리는 자격을 갖춘 Avocor 공인 기술자에게 맡기십시오.

다음과 같은 경우 벽면 콘센트에서 장치의 플러그를 뽑고 자격을 갖춘 서비스 직원에게 서비스를 의뢰하십시오.

- 전원 코드나 플러그가 손상되었거나 절단되거나 파손된 경우
- 장치가 액체를 쏟은 경우
- 장치가 떨어뜨리거나 케이블이 손상된 경우
- 장치의 성능에 뚜렷한 변화가 있어 서비스가 필요한 경우
- 작동 지침을 따른 후에도 장치가 정상적으로 작동하지 않는 경우

기술자를 위한 서비스 지침

- 유지보수 및 관리 후에 제품 주변의 청소를 잘 하십시오.
- 고객에게 위험을 초래하거나 장비를 위험하게 만드는 어떠한 행위도 하지 마십시오.
- 제품을 수리하는 동안 제거된 덮개 및 기타 부품은 모든 사람이 손이 닿지 않는 안전한 장소에 두십시오.
- Avocor에서 승인한 부품만 사용하여 수리하십시오.
- 제품을 고객에게 반환하기 전에 모든 덮개를 올바르게 다시 장착하십시오.

청소

주의: 액체나 세척액을 제품에 직접 분사하지 마십시오.

다음 지침은 사용자와 주변 사람들의 안전을 보장하고 제품의 손상을 방지하기 위해 작성되었습니다. 본 지침을 준수하지 않을 경우 재산상의 손해나 신체적 상해를 입을 수 있습니다.

- 제품을 끄니다.
- 전원에서 제품을 분리합니다.
- 부드럽고 젖은 천으로 화면을 부드럽게 닦습니다.
- 화면은 알수 무알코올 세척액을 전에 뿌리거나 적시니다.
- 제품이 완전히 건조될 때까지 화면을 다시 연결하고 작동을 재개합니다.

전력

제품 전력 공급

| | |
|-------|----------------------------|
| 전력 입력 | 입력: 100-240V ~50-60Hz 5.2A |
|-------|----------------------------|

전원에 대한 참고 사항

다음 정보는 주의 깊게 읽어 장치의 지속적인 정상적인 작동과 본인 및 주변 사람들의 개인 안전을 보장하십시오. 장치의 전기 콘센트에 쉽게 접근할 수 있고 장치 작업자와 가까운 위치에 있는지 확인하십시오. 장치의 전원을 차단해야 하는 경우 작업자는 전기 콘센트에서 전원 케이블을 신중하게 분리할 수 있어야 합니다.

전원 분리

전원 공급 장치에 전원을 연결하고 분리할 때 다음 지침을 준수하십시오.

- 전원 콘센트에 연결하기 전에 전원 공급 장치(PSU)를 분리하십시오.
- 제품에서 플러그를 뽑기 전에 전원 콘센트에서 PSU를 분리하십시오.

주의

- 어댑터를 다른 제품에 연결하지 마십시오.
- 전원 코드를 뽑을 때 코드 자체를 잡고 당기지 말고 플러그를 잡고 빼십시오.
- 전원 코드 위에 물건을 올려놓지 마십시오.
- 사람이 연결할 수 있는 곳에 제품의 전원 코드를 두지 마십시오.
- 이 제품이 연결 코드를 사용하는 경우 전원 코드에 연결된 장비의 총 정격 전류가 초과하지 않는지 확인하십시오. 또한 벽면 콘센트에 연결된 모든 제품의 총 정격이 퓨즈 정격을 초과하지 않는지 확인하십시오.
- 너무 많은 제품을 연결하여 전원에 과부하를 주지 마십시오. 전체 시스템 부하는 최대 회로 정격의 80%를 초과해서는 안 됩니다. 멀티탭을 사용하는 경우 부하가 멀티탭 입력 정격의 80%를 초과해서는 안 됩니다.

경고: 전원 코드는 접지 연결이 있는 소켓 콘센트에 연결해야 합니다. 전원 콘센트가 올바르게 접지되지 않으면 화재 위험이 발생할 수 있습니다. 전원 콘센트에 플러그를 꽂지 마십시오. 자세한 내용은 전기 기술자에게 문의하십시오.

주의: 잘못된 유형의 배터리로 교체하면 폭발의 위험이 있습니다. 현지 규정에 따라 사용한 배터리를 폐기하십시오.

연방 통신 위원회 간섭 테스트

이 장치는 테스트를 거쳐 FCC 규정 15부에 따라 클래스 A 디지털 장치에 대한 제한 사항을 준수하는 것으로 확인되었습니다. 이러한 제한은 상업적 환경에서 장비를 작동할 때 유해한 간섭으로부터 상당한 보호를 제공하도록 설계되었습니다. 이 장치는 무선 주파수 에너지를 생성, 사용 및 방출할 수 있으므로 사용 설정에 따라 설치 및 사용하지 않으면 무선 통신에 유해한 간섭으로 통신이 방해 받을 수 있습니다. 주거 지역에서 이 장비를 작동하면 유해한 간섭이 발생할 경우 사용자는 자신의 비용으로 간섭을 수정해야 합니다.

주의:
이 장치의 양수인이 명시적으로 승인하지 않은 변경 또는 개조는 사용자의 장비 작동 권한을 무효화할 수 있습니다.

RF 노출 경고

이 장비는 제공된 지침에 따라 설치 및 작동해야 하며 이 송신기에 사용되는 안테나는 모든 사람으로부터 최소 20cm의 이격 거리를 제공하도록 설치해야 하며 다른 안테나 또는 송신기와 같은 위치에 배치하거나 함께 작동해서는 안 됩니다. 최종 사용자와 설치자는 안테나 설치 지침과 RF 노출 규정 준수를 위한 송신기 작동 조건을 제공받아야 합니다.

ICES(Industry Canada Equipment Standard for Digital Equipment) - 캐나다 규정 준수 선언문

이 클래스 A 디지털 장치는 Canadian ICES-003을 준수합니다. CAN ICES-3(A)/NMB-3(A)
Cet appareil numérique de la classe A est conforme à la norme NMB-003 du Canada.

(ISED) 규정 준수 선언문

이 장치는 ISED의 라이선스 면제 RSS 표준을 준수합니다. 작동에는 다음 두 가지 조건이 적용됩니다. (1) 이 장치는 간섭을 일으키지 않을 수 있으며, (2) 이 장치는 원하지 않는 장치 작동을 유발할 수 있는 간섭을 포함하여 모든 간섭을 수용해야 합니다.

Le présent appareil est conforme aux CNR d'ISED applicables aux appareils radio exempts de licence. L'exploitation est autorisée aux deux conditions suivantes : (1) le dispositif ne doit pas produire de brouillage préjudiciable, et (2) ce dispositif doit accepter tout brouillage reçu, y compris un brouillage susceptible de provoquer un fonctionnement indésirable.

주의:

사용자는 다음 사항도 주의해야 합니다.
(i) 5150-5250 MHz 대역에서 작동하는 장치는 동채널 이동 위성 시스템에 대한 유해한 간섭 가능성을 줄이기 위한 실내용으로만 사용된다.
(ii) 5250-5350MHz 및 5470-5725MHz 대역의 장치가 허용되는 최대 안테나 개인용 E.R.P. 한계를 준수해야 한다.
(iii) 5725-5825 MHz 대역의 장치가 허용되는 최대 안테나 이득은 해당 지점 간 및 비 지점 간 작동에 대해 지정된 전파를 준수해야 한다. 고출력 레이다는 5250µ5350 MHz 및 5650µ5850 MHz 대역의 주요 사용자(즉, 무선 사용자)로 할당되며 이러한 레이다는 LEFLAN 장치에 간섭 및 손상을 일으킬 수 있습니다.

무선 주파수(RF) 노출 정보

무선 장치의 방사 출력 전력은 캐나다 과학 및 경제 개발(ISED) 무선 주파수 노출 제한 미만입니다. 무선 장치는 정상적인 작동 중에 사람의 접촉 가능성을 최소화하는 방식으로 사용해야 합니다.

이 장치는 모바일 노출 조건에서 ISED RF 노출 제한을 준수하는 것으로 평가 및 표시되었습니다. (안테나는 안테나에서 20cm 이상 떨어져 있습니다.)

CE RED 규정 준수 선언문

EU 적합성 선언

이로써 Avocor Europe은 무선 장비 유형 AVM-6570이 Directive 2014/53/EU를 준수함을 선언합니다. EU 적합성 선언 전문은 다음 인터넷 주소에서 확인할 수 있습니다.
<https://avocorna.zendesck.com/hc/en-us/articles/4424562758541>


UK 적합성 선언

이로써 Avocor Europe은 무선 장비 유형 AVM-6570이 무선 장비 규정 2017의 필수 요구 사항 및 기타 관련 요건을 준수함을 선언합니다. 영국 적합성 선언의 전문은 다음 인터넷 주소에서 찾을 수 있습니다: <https://avocorna.zendesck.com/hc/en-us/articles/4424562758541>
장치는 5150-5350MHz 주파수 범위에서 작동할 때만 실내 사용으로 제한됩니다.

RF 노출 경고

이 장치는 건강 보호를 위한 일반 대중의 전자장치 노출 제한에 대한 EU 요구 사항(2014/53/EU)을 충족합니다.
이 장치는 신체에서 20cm 떨어진 곳에서 장치를 사용할 때 RF 사양을 준수합니다.

| | | | | | | | | |
|-----------------------------------------------------------------------------------|----|----|----|----|----|----|----|----|
|  | AT | BE | BG | CH | CY | CZ | DK | DE |
| | EE | EL | ES | FI | FR | HR | HU | IE |
| | IS | IT | LT | LU | LV | MT | NL | PL |
| | PT | RO | SI | SE | SK | NI | | |

| | |
|-----------------------------------------------------------------------------------|----|
|  | UK |
| | |
| | |



연료

| 기술 | 주파수 범위(MHz) | 최대 전송 전력 |
|--------------|-----------------|-----------|
| 블루투스 | 2402-2480 MHz | 12.51 dBm |
| 블루투스 LE | 2402-2480 MHz | 9.05 dBm |
| WLAN 2.4 GHz | 2412-2472 MHz | 18.68 dBm |
| WLAN 2.4 GHz | 5180-5240 MHz | 20.80 dBm |
| WLAN 2.4 GHz | 5260-5320 MHz | 21.10 dBm |
| WLAN 2.4 GHz | 5500-5700 MHz | 22.26 dBm |
| WLAN 2.4 GHz | 5745-5825 MHz | 13.79 dBm |
| SRD 24 GHz | 24000-24250 MHz | -6.80 dBm |

3장: 환경 정보

재활용 및 환경 정보

폐기 및 재활용

중요한 배터리 및 WEEE 정보

WEEE 및 배터리 지침 기호는 현지 법률 및 규정에 따라 제품과 해당 배터리를 가정용 쓰레기와 별도로 폐기해야 함을 의미합니다. 이 제품의 수명이 다하면 안전한 폐기 또는 재활용을 위해 지역 당국에서 지정할 수가 감소로 가져가십시오. 제품, 전기 부품품 및 배터리를 별도로 수거 및 재활용하면 천연 자원을 보존하고 인간의 건강을 보호하며 환경을 보호하는 데 도움이 됩니다.

RoHS(유해 물질 제한) 지침

유럽 연합 RoHS 부품(레이플, 코드 등)이 포함된 이 제품은 전기 및 전자 장비의 특정 유해 물질 사용 제한에 대한 지침 2015/863/EU(RoHS 3)의 요구 사항을 충족합니다. Avocor의 전 세계 RoHS 규정 준수에 대한 자세한 내용은 <https://avocorna.zendesck.com/hc/en-us/articles/4424574461453>을 참조하십시오.

