

TEST REPORT

Report No.: BCTC2408083778-1E

Applicant: REOLINK INNOVATION LIMITED

Product Name: WiFi module

Test Model: WXT0AR2101


Tested Date: 2024-08-22 to 2024-08-28

Issued Date: 2024-08-28

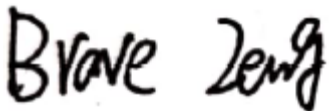
Shenzhen BCTC Testing Co., Ltd.



FCC ID: 2AYHE-2403E

Product Name: WiFi module
Trademark: 
Model/Type reference: WXT0AR2101
Prepared For: REOLINK INNOVATION LIMITED
Address: FLAT/RM 705 7/F FA YUEN COMMERCIAL BUILDING 75-77 FA YUEN STREET MONG KOK KL HONG KONG
Manufacturer: REOLINK INNOVATION LIMITED
Address: FLAT/RM 705 7/F FA YUEN COMMERCIAL BUILDING 75-77 FA YUEN STREET MONG KOK KL HONG KONG
Factory: HUIZHOU GAOSHENGDA TECHNOLOGY CO.,LTD
Address: No.2,Jin-da Road,Huinan High-tech Industrial Park,Ilui-a Avenue, Huizhou City, Guangdong Province, China
Prepared By: Shenzhen BCTC Testing Co., Ltd.
Address: 1-2/F., Building B, Pengzhou Industrial Park, No.158, Fuyuan 1st Road, Zhancheng, Fuhai Subdistrict, Bao'an District, Shenzhen, Guangdong, China
Sample Received Date: 2024-08-22
Sample tested Date: 2024-08-22 to 2024-08-28
Issue Date: 2024-08-28
Report No.: BCTC2408083778-1E
Test Standards: FCC Part15.247
ANSI C63.10-2013
Test Results: PASS
Remark: This is WIFI-2.4GHz band radio test report.

Tested by:



Brave Zeng/ Project Handler

Approved by:



Zero Zhou/Reviewer

The test report is effective only with both signature and specialized stamp. This result(s) shown in this report refer only to the sample(s) tested. Without written approval of Shenzhen BCTC Testing Co., Ltd, this report can't be reproduced except in full. The tested sample(s) and the sample information are provided by the client.

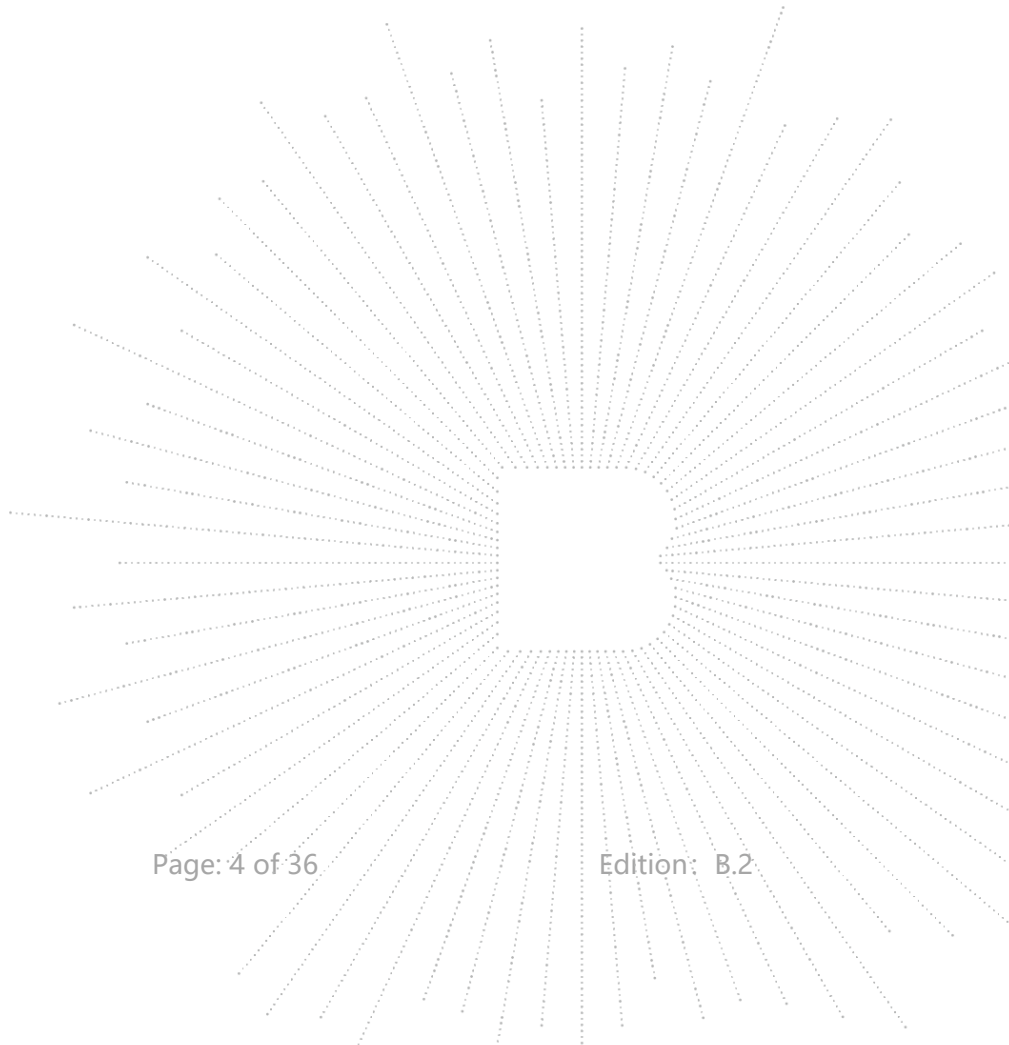
Table Of Content

Test Report Declaration	Page
1. Version	4
2. Test Summary	5
3. Measurement Uncertainty	6
4. Product Information And Test Setup	7
4.1 Product Information.....	7
4.2 Test Setup Configuration	7
4.3 Support Equipment	8
4.4 Channel List.....	8
4.5 Test Mode.....	9
4.6 Table Of Parameters Of Text Software Setting.....	10
5. Test Facility And Test Instrument Used.....	11
5.1 Test Facility.....	11
5.2 Test Instrument Used.....	11
6. Conducted Emissions.....	12
6.1 Block Diagram Of Test Setup.....	12
6.2 Limit	12
6.3 Test procedure.....	12
6.4 EUT operating Conditions	12
6.5 Test Result.....	13
7. Radiated Emissions.....	15
7.1 Block Diagram Of Test Setup.....	15
7.2 Limit	16
7.3 Test procedure.....	17
7.4 EUT Operating Conditions	18
7.5 Test Result.....	18
8. Radiated Band Emission Measurement And Restricted Bands Of Operation	27
8.1 Block Diagram Of Test Setup.....	27
8.2 Limit	27
8.3 Test procedure.....	28
8.4 EUT Operating Conditions	28
8.5 Test Result.....	29
9. Antenna Requirement	32
9.1 Limit	32
9.2 Test Result.....	32
10. EUT Photographs.....	33
11. EUT Test Setup Photographs.....	34

(Note: N/A Means Not Applicable)

1. Version

Report No.	Issue Date	Description	Approved
BCTC2408083778-1E	2024-08-28	Original	Valid

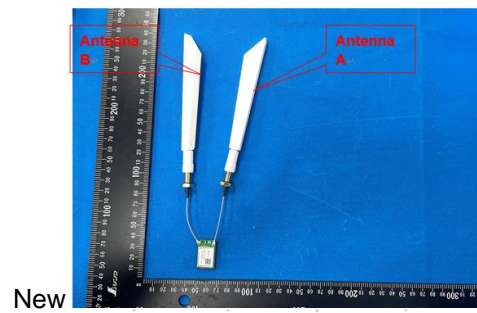
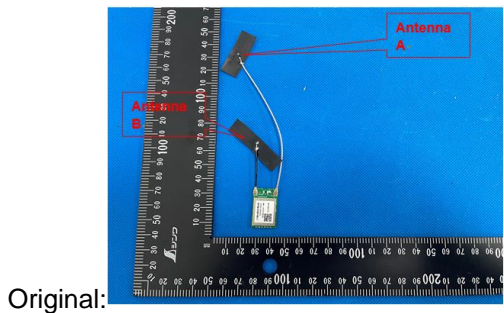


2. Test Summary

The Product has been tested according to the following specifications:

No.	Test Parameter	Clause No	Results
1	Conducted Emission	15.207	PASS
2	Radiated Spurious Emission	15.247 (d), 15.205	PASS
3	Restricted Band of Operation	15.205	PASS
4	Band Edge (Out of Band Emissions)	15.247(d)	PASS
5	Antenna Requirement	15.203	PASS

Note: According to the following changes in the product, change the antenna, Therefore, conducted emission and radiation emission, radiation stray and radiation sideband tests were only carried out in this report on the original report (BCTC2403767791-1E)



Note: According to the following changes in the original test report (BCTC2403767791-1E), no changes have been made to the product. Only updated test instruments, conducted emission, radiation emission, radiation sideband, radiation spurious, EUT photos, etc.

3. Measurement Uncertainty

Where relevant, the following measurement uncertainty levels have been estimated for tests performed on the Product as specified in CISPR 16-4-2. This uncertainty represents an expanded uncertainty expressed at approximately the 95% confidence level using a coverage factor of k=2.

No.	Item	Uncertainty
1	3m chamber Radiated spurious emission(30MHz-1GHz)	U=4.3dB
2	3m chamber Radiated spurious emission(9KHz-30MHz)	U=3.7dB
3	3m chamber Radiated spurious emission(1GHz-18GHz)	U=4.5dB
4	3m chamber Radiated spurious emission(18GHz-40GHz)	U=3.34dB
5	Conducted Emission (150kHz-30MHz)	U=3.20dB
6	Conducted Adjacent channel power	U=1.38dB
7	Conducted output power uncertainty Above 1G	U=1.576dB
8	Conducted output power uncertainty below 1G	U=1.28dB
9	humidity uncertainty	U=5.3%
10	Temperature uncertainty	U=0.59°C

4. Product Information And Test Setup

4.1 Product Information

Model/Type reference:	WXT0AR2101
Model differences:	N/A
Hardware Version:	N/A
Software Version:	N/A
Operation Frequency:	802.11b/g/n20MHz/ax20MHz:2412~2462 MHz 802.11n40MHz/ax40MHz:2422~2452 MHz
Bit Rate of Transmitter:	802.11b:11/5.5/2/1 Mbps 802.11g:54/48/36/24/18/12/9/6Mbps 802.11n Up to 150Mbps 802.11ax:400Mbps
Type of Modulation:	WIFI: OFDM/DSSS
Number Of Channel:	802.11b/g/n20/ax20MHz:11 CH 802.11n40/ax40MHz: 7 CH
Antenna installation:	External antenna*2 Antenna A: 2.77 dBi, Antenna B: 2.77 dBi
Antenna Gain:	Remark: <input checked="" type="checkbox"/> The antenna gain of the product comes from the antenna report provided by the customer, and the test data is affected by the customer information. <input type="checkbox"/> The antenna gain of the product is provided by the customer, and the test data is affected by the customer information.
Ratings:	DC 3.3V

4.2 Test Setup Configuration

See test photographs attached in *EUT TEST SETUP PHOTOGRAPHS* for the actual connections between Product and support equipment.

4.3 Support Equipment

No.	Device Type	Brand	Model	Series No.	Note
E-1	WiFi module	Reolink	WXT0AR2101	N/A	EUT
E-2	Router	N/A	N/A	N/A	Auxiliary
E-3	laptop	N/A	N/A	N/A	Auxiliary

Item	Shielded Type	Ferrite Core	Length	Note
C-1	N/A	N/A	0M	DC cable unshielded

Notes:

1. All the equipment/cables were placed in the worst-case configuration to maximize the emission during the test.
2. Grounding was established in accordance with the manufacturer's requirements and conditions for the intended use.

4.4 Channel List

Channel List for 802.11b/g/n(20)/ax(20)					
Channel	Frequency (MHz)	Channel	Frequency (MHz)	Channel	Frequency (MHz)
01	2412	02	2417	03	2422
04	2427	05	2432	06	2437
07	2442	08	2447	09	2452
10	2457	11	2462		

Channel List for 802.11n(40)/ax(40)					
Channel	Frequency (MHz)	Channel	Frequency (MHz)	Channel	Frequency (MHz)
03	2422	04	2427	05	2432
06	2437	07	2442	08	2447
09	2452				

4.5 Test Mode

To investigate the maximum EMI emission characteristics generated from EUT, the test system was pre-scanning tested based on the consideration of following EUT operation mode or test configuration mode which possibly have effect on EMI emission level. Each of these EUT operation mode(s) or test configuration mode(s) mentioned above was evaluated respectively.

For All Mode	Description	Modulation Type
Mode 1	CH 01	802.11b
Mode 2	CH 06	
Mode 3	CH 11	
Mode 4	CH 01	802.11g
Mode 5	CH 06	
Mode 6	CH 11	
Mode 7	CH 01	802.11n20
Mode 8	CH 06	
Mode 9	CH 11	
Mode 10	CH 03	802.11n40
Mode 11	CH 06	
Mode 12	CH 09	
Mode 13	CH 01	802.11ax20
Mode 14	CH 06	
Mode 15	CH 11	
Mode 16	CH 03	802.11ax40
Mode 17	CH 06	
Mode 18	CH 09	
Mode 19	Link mode (Conducted emission and Radiated emission)	

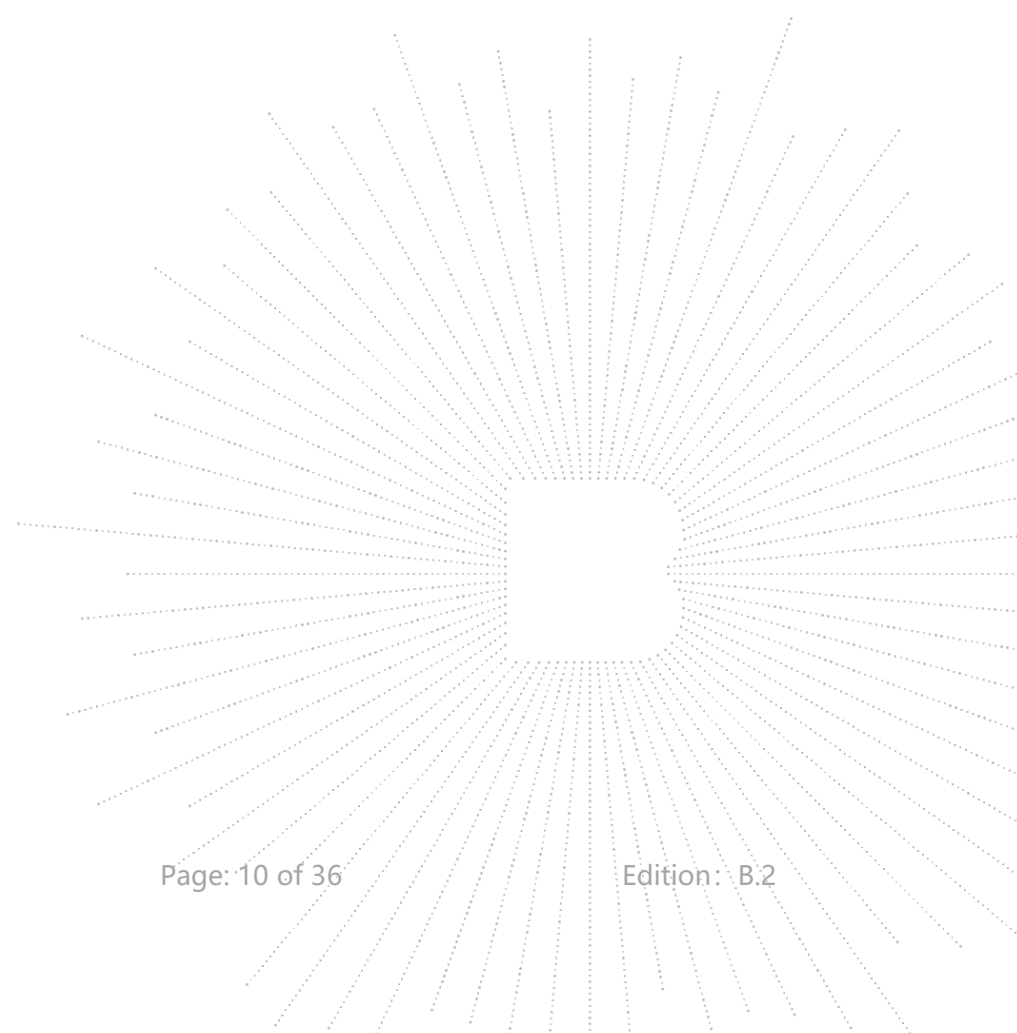
Notes:

1. The measurements are performed at the highest, middle, lowest available channels.
2. The measurements are performed at all Bit Rate of Transmitter, the worst data was reported
3. According to ANSI C63.10 standards, the test results are both the "worst case" and "worst setup"
11Mbps for 802.11b, 6Mbps for 802.11g, 13Mbps for 802.11n(H20), 54Mbps for 802.11n(H40)

4.6 Table Of Parameters Of Text Software Setting

During testing channel & power controlling software provided by the customer was used to control the operating channel as well as the output power level. The RF output power selection is for the setting of RF output power expected by the customer and is going to be fixed on the firmware of the final end product power parameters

Test software Version	CMD		
Frequency	2412 MHz	2437 MHz	2462 MHz
Parameters	DEF	DEF	DEF
Frequency	2422MHz	2437MHz	2452MHz
Parameters	DEF	DEF	DEF



5. Test Facility And Test Instrument Used

5.1 Test Facility

All measurement facilities used to collect the measurement data are located at Shenzhen BCTC Testing Co., Ltd. Address: 1-2/F., Building B, Pengzhou Industrial Park, No.158, Fuyuan 1st Road, Zhancheng, Fuhai Subdistrict, Bao'an District, Shenzhen, Guangdong, China. The site and apparatus are constructed in conformance with the requirements of ANSI C63.4 and CISPR 16-1-1 other equivalent standards.

FCC Test Firm Registration Number: 712850

A2LA certificate registration number is: CN1212

ISED Registered No.: 23583

ISED CAB identifier: CN0017

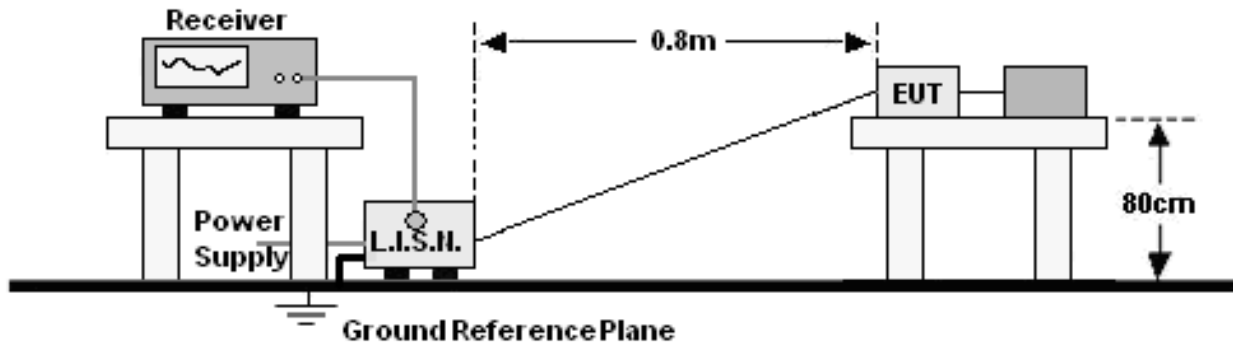
5.2 Test Instrument Used

Conducted Emissions Test					
Equipment	Manufacturer	Model#	Serial#	Last Cal.	Next Cal.
Receiver	R&S	ESR3	102075	May 16, 2024	May 15, 2025
LISN	R&S	ENV216	101375	May 16, 2024	May 15, 2025
Software	Frad	EZ-EMC	EMC-CON 3A1	\	\
Pulse limiter	Schwarzbeck	VTSD9561-F	01323	May 16, 2024	May 15, 2025

Radiated Emissions Test (966 Chamber01)					
Equipment	Manufacturer	Model#	Serial#	Last Cal.	Next Cal.
966 chamber	ChengYu	966 Room	966	May 16, 2024	May 15, 2025
Receiver	R&S	ESR3	102075	May 16, 2024	May 15, 2025
Receiver	R&S	ESRP	101154	May 16, 2024	May 15, 2025
Amplifier	Schwarzbeck	BBV9744	9744-0037	May 16, 2024	May 15, 2025
TRILOG Broadband Antenna	Schwarzbeck	VULB9163	942	May 21, 2024	May 20, 2025
Loop Antenna(9KHz-30MHz)	Schwarzbeck	FMZB1519B	00014	May 21, 2024	May 20, 2025
Amplifier	SKET	LAPA_01G18 G-45dB	SK2021040901	May 16, 2024	May 15, 2025
Horn Antenna	Schwarzbeck	BBHA9120D	1541	May 21, 2024	May 20, 2025
Amplifier(18G Hz-40GHz)	MITEQ	TTA1840-35-HG	2034381	May 16, 2024	May 15, 2025
Horn Antenna(18G Hz-40GHz)	Schwarzbeck	BBHA9170	00822	May 21, 2024	May 20, 2025
Spectrum Analyzer9kHz-40GHz	R&S	FSP40	100363	May 16, 2024	May 15, 2025
Software	Frad	EZ-EMC	FA-03A2 RE	\	\

6. Conducted Emissions

6.1 Block Diagram Of Test Setup



6.2 Limit

Frequency (MHz)	Limit (dBuV)	
	Quas-peak	Average
0.15 -0.5	66 - 56 *	56 - 46 *
0.50 -5.0	56.00	46.00
5.0 -30.0	60.00	50.00

Notes:

- *Decreasing linearly with logarithm of frequency.
- The lower limit shall apply at the transition frequencies.

6.3 Test procedure

Receiver Parameters	Setting
Attenuation	10 dB
Start Frequency	0.15 MHz
Stop Frequency	30 MHz
IF Bandwidth	9 kHz

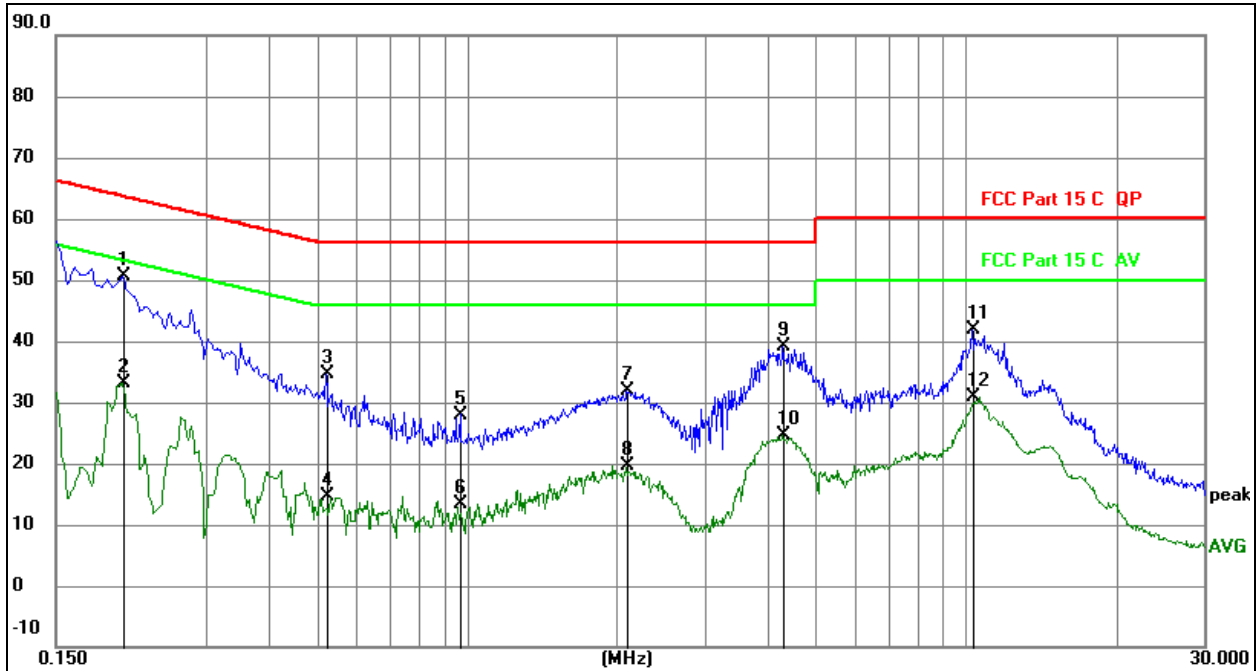
- The Product was placed on a nonconductive table 0.8 m above the horizontal ground reference plane, and 0.4 m from the vertical ground reference plane, and connected to the main through Line Impedance Stability Network (L.I.S.N).
- The RBW of the receiver was set at 9 kHz in 150 kHz ~ 30MHz with Peak and AVG detector in Max Hold mode. Run the receiver's pre-scan to record the maximum disturbance generated from Product in all power lines in the full band.
- For each frequency whose maximum record was higher or close to limit, measure its QP and AVG values and record.

6.4 EUT operating Conditions

The EUT was configured for testing in a typical fashion (as a customer would normally use it). The EUT has been programmed to continuously transmit during test. This operating condition was tested and used to collect the included data.

6.5 Test Result

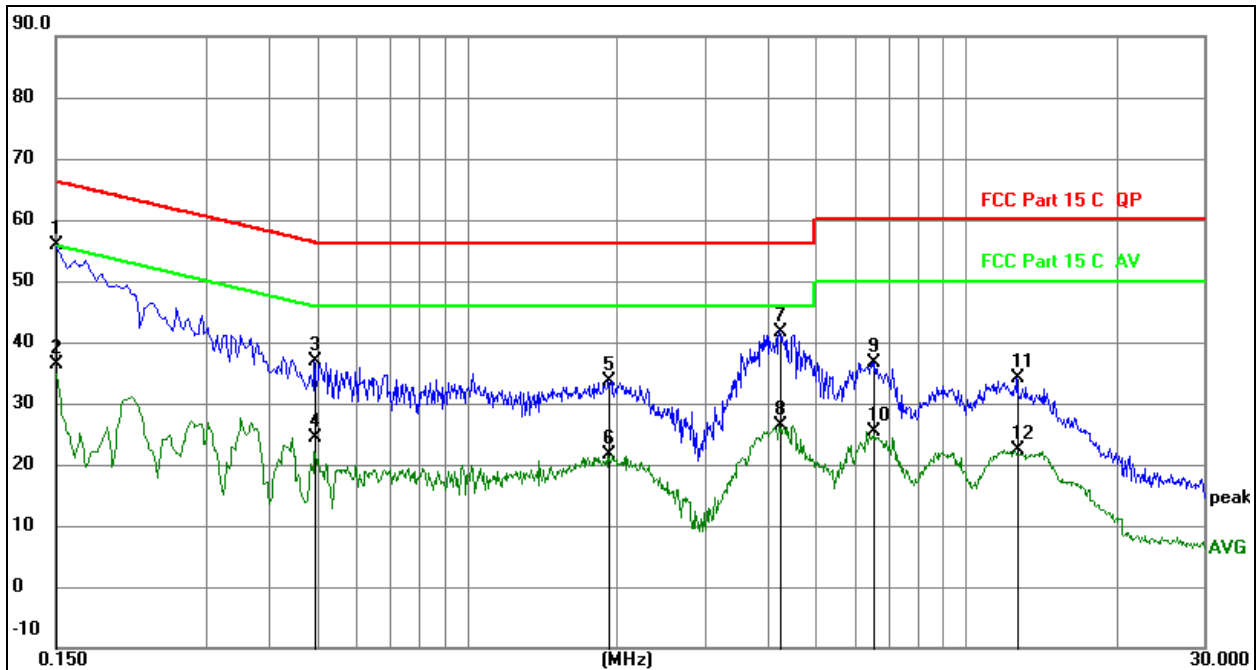
Temperature:	26 °C	Relative Humidity:	54%
Pressure:	101KPa	Test Voltage:	DC 5V
Test Mode:	Mode 19	Polarization :	L


Remark:

1. All readings are Quasi-Peak and Average values.
2. Factor = Insertion Loss + Cable Loss.
3. Measurement = Reading Level + Correct Factor
4. Over = Measurement - Limit

No.	Mk.	Freq. MHz	Reading Level	Correct Factor dB	Measure- ment dBuV	Limit dBuV	Over dB	Detector
1	*	0.2040	30.64	20.07	50.71	63.45	-12.74	QP
2		0.2040	13.13	20.07	33.20	53.45	-20.25	AVG
3		0.5235	14.47	20.08	34.55	56.00	-21.45	QP
4		0.5235	-5.39	20.08	14.69	46.00	-31.31	AVG
5		0.9690	7.91	20.09	28.00	56.00	-28.00	QP
6		0.9690	-6.80	20.09	13.29	46.00	-32.71	AVG
7		2.0940	11.76	20.10	31.86	56.00	-24.14	QP
8		2.0940	-0.42	20.10	19.68	46.00	-26.32	AVG
9		4.2945	19.05	20.14	39.19	56.00	-16.81	QP
10		4.2945	4.39	20.14	24.53	46.00	-21.47	AVG
11		10.3245	21.65	20.18	41.83	60.00	-18.17	QP
12		10.3245	10.71	20.18	30.89	50.00	-19.11	AVG

Temperature:	26 °C	Relative Humidity:	54%
Pressure:	101KPa	Test Voltage:	DC 5V
Test Mode:	Mode 19	Polarization :	N


Remark:

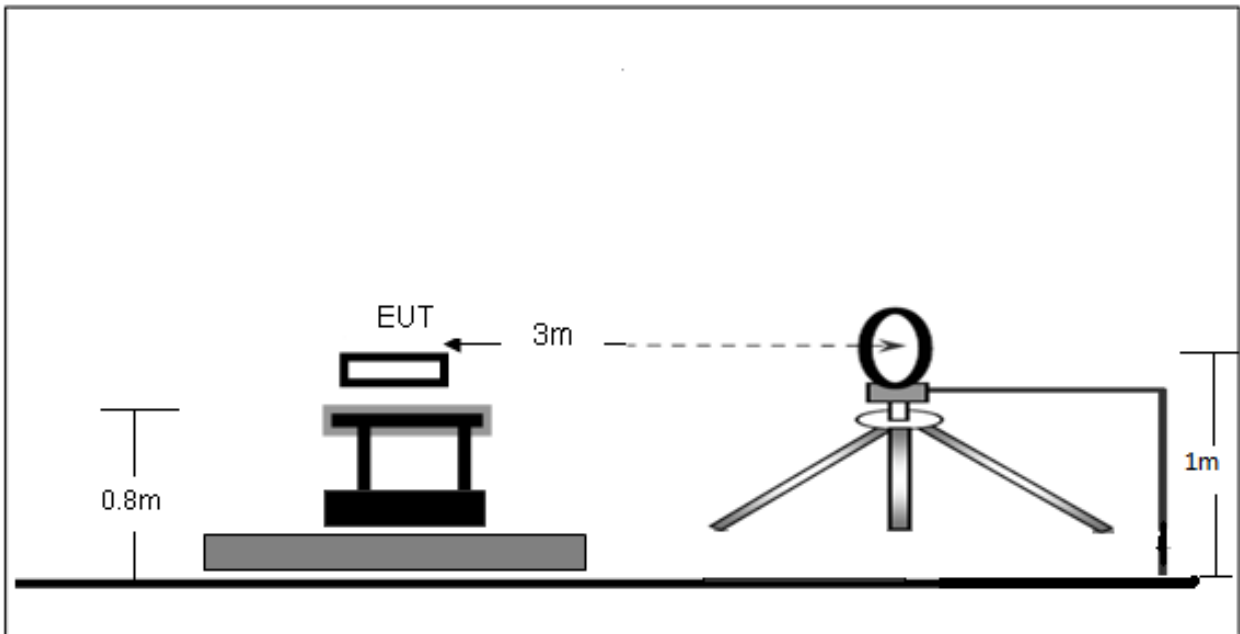
1. All readings are Quasi-Peak and Average values.
2. Factor = Insertion Loss + Cable Loss.
3. Measurement = Reading Level + Correct Factor
4. Over = Measurement - Limit

No.	Mk.	Freq. MHz	Reading Level	Correct Factor dB	Measure- ment dBuV	Limit dBuV	Over dB	Detector
1	*	0.1500	35.87	20.07	55.94	66.00	-10.06	QP
2		0.1500	16.19	20.07	36.26	56.00	-19.74	AVG
3		0.4965	16.72	20.08	36.80	56.06	-19.26	QP
4		0.4965	4.34	20.08	24.42	46.06	-21.64	AVG
5		1.9185	13.55	20.10	33.65	56.00	-22.35	QP
6		1.9185	1.58	20.10	21.68	46.00	-24.32	AVG
7		4.2270	21.61	20.14	41.75	56.00	-14.25	QP
8		4.2270	6.35	20.14	26.49	46.00	-19.51	AVG
9		6.5040	16.54	20.16	36.70	60.00	-23.30	QP
10		6.5040	5.33	20.16	25.49	50.00	-24.51	AVG
11		12.7094	13.89	20.25	34.14	60.00	-25.86	QP
12		12.7094	2.17	20.25	22.42	50.00	-27.58	AVG

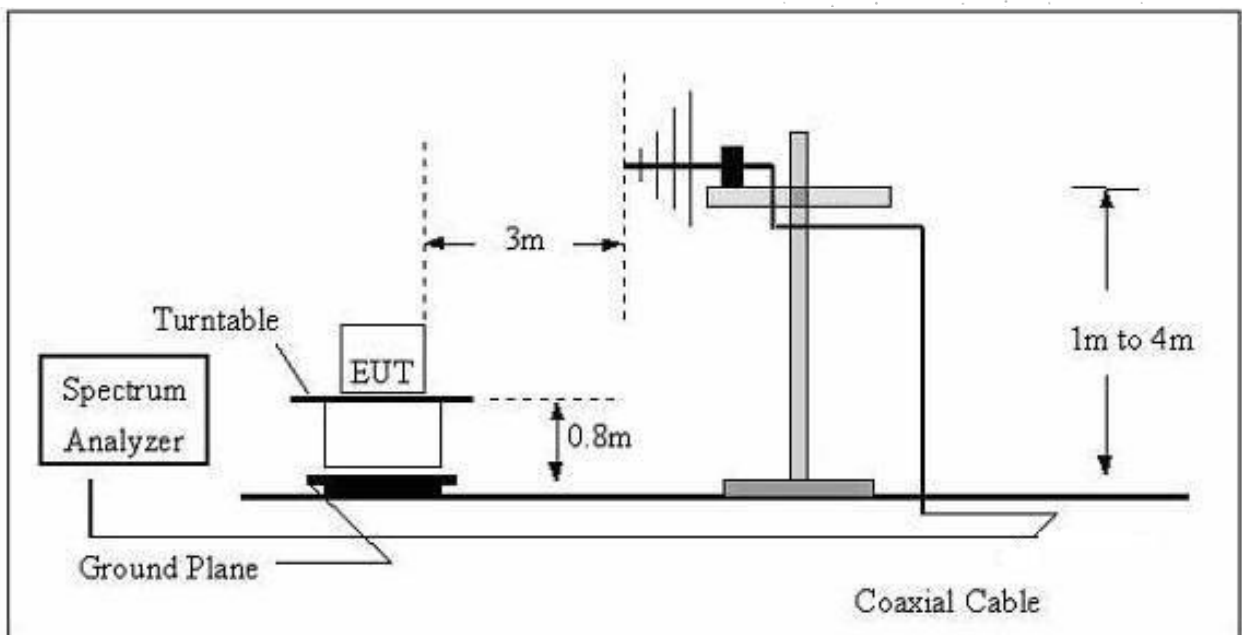
7. Radiated Emissions

7.1 Block Diagram Of Test Setup

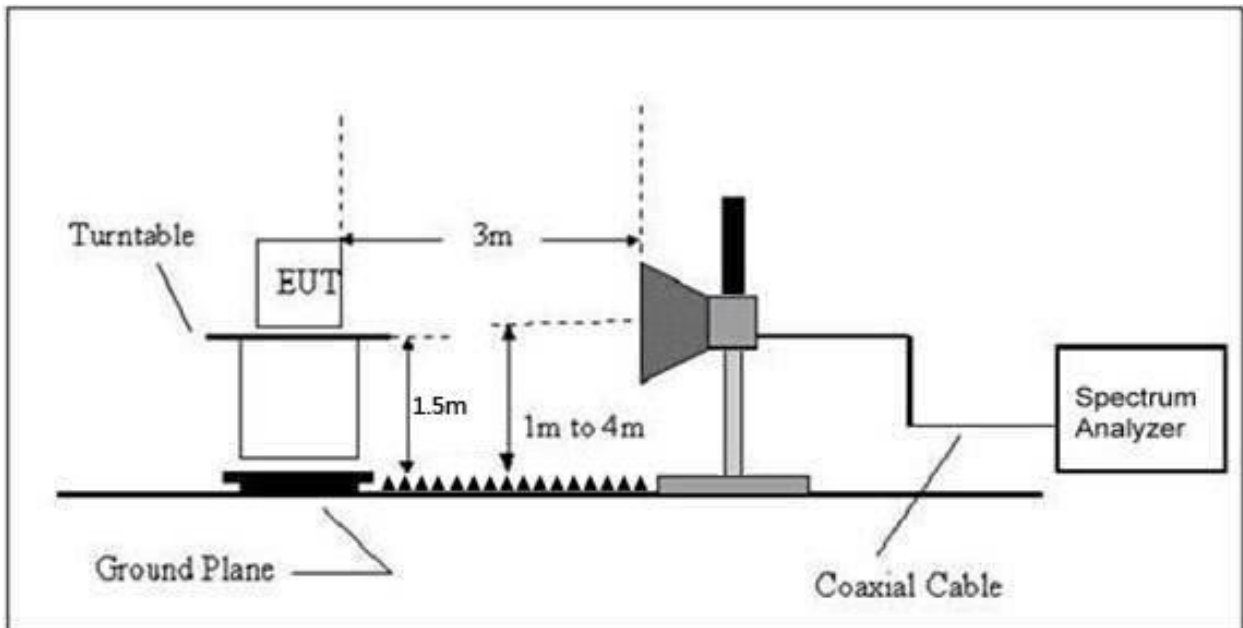
(A) Radiated Emission Test-Up Frequency Below 30MHz



(B) Radiated Emission Test-Up Frequency 30MHz~1GHz



(C) Radiated Emission Test-Up Frequency Above 1GHz



7.2 Limit

20dBc in any 100 kHz bandwidth outside the operating frequency band. In case the emission fall within the restricted band specified on 15.205(a), then the 15.209(a) limit in the table below has to be followed.

Frequency (MHz)	Field Strength uV/m	Distance (m)	Field Strength Limit at 3m Distance	
			uV/m	dBuV/m
0.009 ~ 0.490	$2400/F(\text{kHz})$	300	$10000 * 2400/F(\text{kHz})$	$20\log^{(2400/F(\text{kHz}))} + 80$
0.490 ~ 1.705	$24000/F(\text{kHz})$	30	$100 * 24000/F(\text{kHz})$	$20\log^{(24000/F(\text{kHz}))} + 40$
1.705 ~ 30	30	30	$100 * 30$	$20\log^{(30)} + 40$
30 ~ 88	100	3	100	$20\log^{(100)}$
88 ~ 216	150	3	150	$20\log^{(150)}$
216 ~ 960	200	3	200	$20\log^{(200)}$
Above 960	500	3	500	$20\log^{(500)}$

Limits Of Radiated Emission Measurement (Above 1000MHz)

Frequency (MHz)	Limit (dBuV/m) (at 3M)	
	Peak	Average
Above 1000	74	54

Notes:

- (1)The limit for radiated test was performed according to FCC PART 15C.
- (2)The tighter limit applies at the band edges.
- (3) Emission level (dBuV/m)=20log Emission level (uV/m).

Frequency Range Of Radiated Measurement

(a) For an intentional radiator the spectrum shall be investigated from the lowest radio frequency signal generated in the device, without going below 9 kHz, up to at least the frequency shown in this paragraph:

- (1) If the intentional radiator operates below 10 GHz: to the tenth harmonic of the highest fundamental frequency or to 40 GHz, whichever is lower.
- (2) If the intentional radiator operates at or above 10 GHz and below 30 GHz: to the fifth harmonic of the highest fundamental frequency or to 100 GHz, whichever is lower.
- (3) If the intentional radiator operates at or above 30 GHz: to the fifth harmonic of the highest fundamental frequency or to 200 GHz, whichever is lower, unless specified otherwise elsewhere in the rules.
- (4) If the intentional radiator operates at or above 95 GHz: To the third harmonic of the highest fundamental frequency or to 750 GHz, whichever is lower, unless specified otherwise elsewhere in the rules.
- (5) If the intentional radiator contains a digital device, regardless of whether this digital device controls the functions of the intentional radiator or the digital device is used for additional control or function purposes other than to enable the operation of the intentional radiator, the frequency range shall be investigated up to the range specified in paragraphs (a) (1)through (4) of this section or the range applicable to the digital device, as shown in paragraph (b)(1) of this section, whichever is the higher frequency range of investigation.

7.3 Test procedure

Receiver Parameter	Setting
Attenuation	Auto
9kHz~150kHz	RBW 200Hz for QP
150kHz~30MHz	RBW 9kHz for QP
30MHz~1000MHz	RBW 120kHz for QP

Spectrum Parameter	Setting
1-25GHz	RBW 1 MHz /VBW 1 MHz for Peak, RBW 1 MHz / VBW 10Hz for Average

Below 1GHz test procedure as below:

- a. The EUT was placed on the top of a rotating table 0.8 meters above the ground at a 3 meter semi-anechoic chamber. The table was rotated 360 degrees to determine the position of the highest radiation.
- b. The EUT was set 3 meters away from the interference-receiving antenna, which was mounted on the top of a variable-height antenna tower.
- c. The antenna height is varied from one meter to four meters above the ground to determine the maximum value of the field strength. Both horizontal and vertical polarizations of the antenna are set to make the measurement.
- d. For each suspected emission, the EUT was arranged to its worst case and then the antenna was tuned to heights from 1 meter to 4 meters (for the test frequency of below 30MHz, the antenna was tuned to heights 1 meter) and the rotatable table was turned from 0 degrees to 360 degrees to find the maximum reading.
- e. The test-receiver system was set to Peak Detect Function and Specified Bandwidth with Maximum Hold Mode.
- f. If the emission level of the EUT in peak mode was 10dB lower than the limit specified, then testing could be stopped and the peak values of the EUT would be reported. Otherwise the emissions that did not have 10dB margin would be re-tested one by one using peak, quasi-peak or average method as specified and then reported in a data sheet.

Above 1GHz test procedure as below:

- a. The EUT was placed on the top of a rotating table 1.5 meters above the ground at a 3 meter camber. The table was rotated 360 degrees to determine the position of the highest radiation.
- b. The EUT was set 3 meters away from the interference-receiving antenna, which was mounted on the top of a variable-height antenna tower.
- c. The antenna height is varied from one meter to four meters above the ground to determine the maximum value of the field strength. Both horizontal and vertical polarizations of the antenna are set to make the measurement.
- d. For each suspected emission, the EUT was arranged to its worst case and then the antenna was tuned to heights from 1 meter to 4 meters and the rota table was turned from 0 degrees to 360 degrees to find the maximum reading.
- e. The test-receiver system was set to Peak Detect Function and Specified Bandwidth with Maximum Hold Mode.
- f. If the emission level of the EUT in peak mode was 10dB lower than the limit specified, then testing could be stopped and the peak values of the EUT would be reported. Otherwise the emissions that did not have 10dB margin would be re-tested one by one using peak, quasi-peak or average method as specified and then reported in a data sheet.
- g. Test the EUT in the lowest channel, the middlest channel, the Highest channel.

Note:

Both horizontal and vertical antenna polarities were tested and performed pretest to three orthogonal axis. The worst case emissions were reported.

7.4 EUT Operating Conditions

The EUT was configured for testing in a typical fashion (as a customer would normally use it). The EUT has been programmed to continuously transmit during test. This operating condition was tested and used to collect the included data.

7.5 Test Result

Below 30MHz

Temperature:	26 °C	Relative Humidity:	54%
Pressure:	101KPa	Test Voltage:	DC 5V
Test Mode:	Mode 19	Polarization:	---

Freq. (MHz)	Reading (dBuV/m)	Limit (dBuV/m)	Margin (dB)	State P/F
--	--	--	--	PASS
--	--	--	--	PASS

Note:

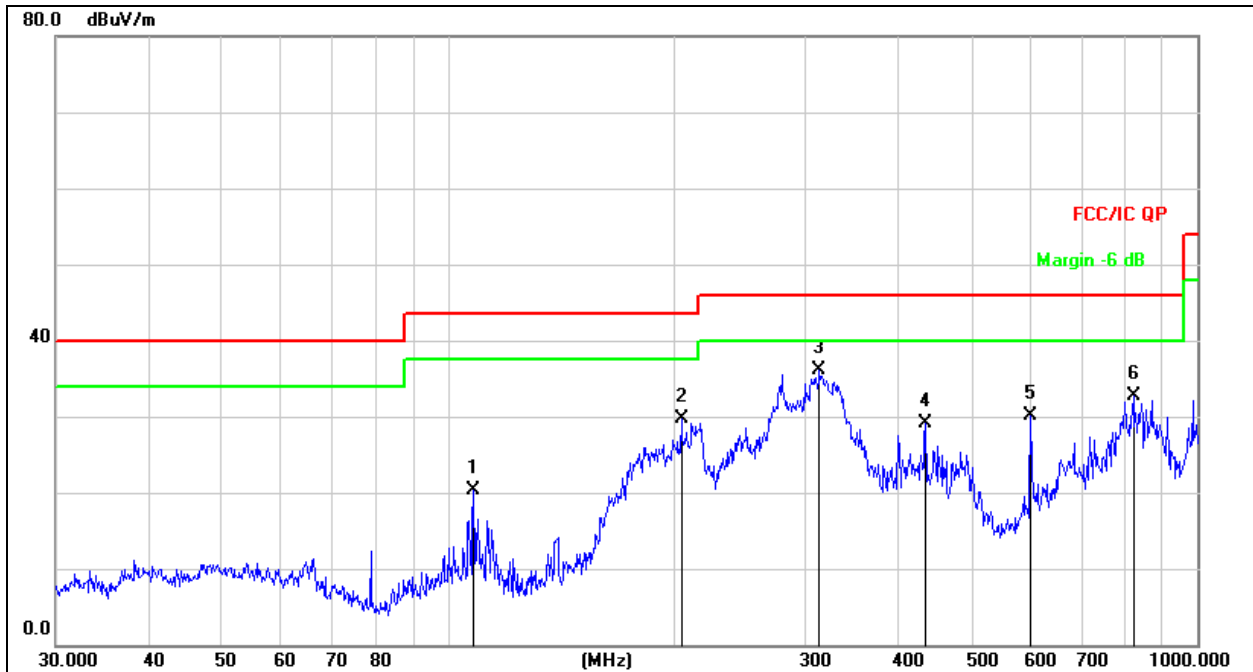
The amplitude of spurious emissions which are attenuated by more than 20dB below the permissible value has no need to be reported.

Distance extrapolation factor = $40 \log(\text{specific distance}/\text{test distance})(\text{dB})$;

Limit line = specific limits(dBuv) + distance extrapolation factor.

Between 30MHz – 1GHz

Temperature:	26 °C	Relative Humidity:	54%
Pressure:	101KPa	Test Voltage:	DC 5V
Test Mode:	Mode 19	Polarization :	Horizontal

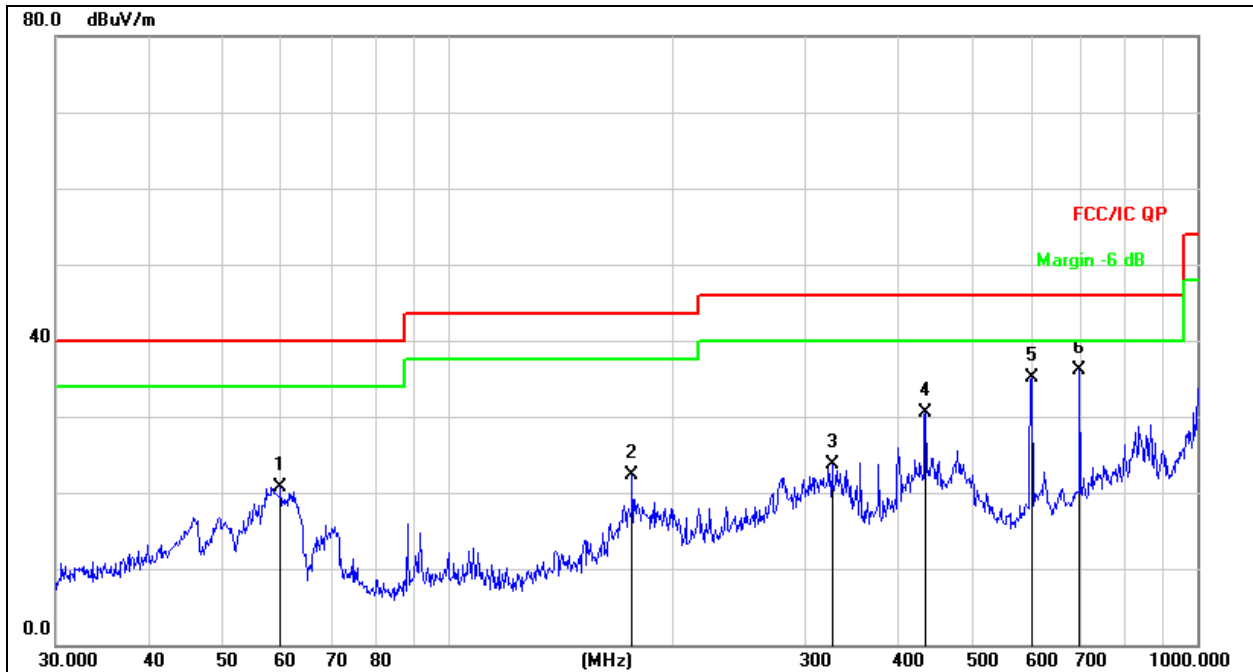


Remark:

1. Factor = Antenna Factor + Cable Loss – Pre-amplifier.
2. Measurement = Reading Level + Correct Factor
3. Over = Measurement - Limit

No.	Mk.	Freq. MHz	Reading Level dBuV	Correct Factor dB	Measure- ment dBuV/m	Limit dB/m	Over dB	Detector
1		108.2667	36.84	-16.51	20.33	43.50	-23.17	QP
2		204.9551	45.33	-15.58	29.75	43.50	-13.75	QP
3	*	313.2760	48.84	-12.77	36.07	46.00	-9.93	QP
4		434.0651	39.31	-10.17	29.14	46.00	-16.86	QP
5		599.3212	37.14	-7.07	30.07	46.00	-15.93	QP
6		821.7103	36.87	-4.22	32.65	46.00	-13.35	QP

Temperature:	26 °C	Relative Humidity:	54%
Pressure:	101KPa	Test Voltage:	DC 5V
Test Mode:	Mode 19	Polarization :	Vertical


Remark:

1. Factor = Antenna Factor + Cable Loss – Pre-amplifier.
2. Measurement = Reading Level + Correct Factor
3. Over = Measurement - Limit

No.	Mk.	Freq. MHz	Reading Level dBuV	Correct Factor dB	Measure- ment dBuV/m	Limit dB/m	Over dB	Detector
1		59.8588	35.94	-15.23	20.71	40.00	-19.29	QP
2		176.2686	39.85	-17.48	22.37	43.50	-21.13	QP
3		325.5958	36.02	-12.34	23.68	46.00	-22.32	QP
4		434.0651	40.70	-10.17	30.53	46.00	-15.47	QP
5		601.4265	42.13	-7.00	35.13	46.00	-10.87	QP
6	*	696.8567	41.90	-5.74	36.16	46.00	-9.84	QP

Between 1GHz – 25GHz
802.11b

Polar (H/V)	Fre- quency	Reading Level	Correct Factor	Measure- ment	Limits	Over	Detector Type
	(MHz)	(dBuV/m)	(dB)	(dBuV/m)	(dBuV/m)	(dB)	
Low channel:2412MHz							
V	4824.00	70.74	-19.95	50.79	74.00	-23.21	PK
V	4824.00	61.74	-19.95	41.79	54.00	-12.21	AV
V	7236.00	60.25	-14.14	46.11	74.00	-27.89	PK
V	7236.00	49.36	-14.14	35.22	54.00	-18.78	AV
H	4824.00	67.19	-19.95	47.24	74.00	-26.76	PK
H	4824.00	56.71	-19.95	36.76	54.00	-17.24	AV
H	7236.00	57.43	-14.14	43.29	74.00	-30.71	PK
H	7236.00	48.76	-14.14	34.62	54.00	-19.38	AV
Middle channel:2437MHz							
V	4874.00	67.21	-19.85	47.36	74.00	-26.64	PK
V	4874.00	58.98	-19.85	39.13	54.00	-14.87	AV
V	7311.00	58.46	-13.93	44.53	74.00	-29.47	PK
V	7311.00	49.38	-13.93	35.45	54.00	-18.55	AV
H	4874.00	65.57	-19.85	45.72	74.00	-28.28	PK
H	4874.00	55.76	-19.85	35.91	54.00	-18.09	AV
H	7311.00	56.00	-13.93	42.07	74.00	-31.93	PK
H	7311.00	48.52	-13.93	34.59	54.00	-19.41	AV
High channel:2462MHz							
V	4924.00	68.98	-19.75	49.23	74.00	-24.77	PK
V	4924.00	58.56	-19.75	38.81	54.00	-15.19	AV
V	7386.00	60.40	-13.72	46.68	74.00	-27.32	PK
V	7386.00	50.14	-13.72	36.42	54.00	-17.58	AV
H	4924.00	67.48	-19.75	47.73	74.00	-26.27	PK
H	4924.00	58.47	-19.75	38.72	54.00	-15.28	AV
H	7386.00	59.29	-13.72	45.57	74.00	-28.43	PK
H	7386.00	50.45	-13.72	36.73	54.00	-17.27	AV

Remark:

- 1.Measurement = Reading Level + Correct Factor,
Correct Factor = Antenna Factor + Cable Loss – Pre-amplifier,
Over= Measurement – Limit
- 2.If peak below the average limit, the average emission was no test.
3. In restricted bands of operation, The spurious emissions below the permissible value more than 20dB
4. The amplitude of spurious emissions which are attenuated by more than 20dB below the permissible value has no need to be reported.
5. The worst case is Antenna A.

802.11g

Polar (H/V)	Fre- quency	Reading Level	Correct Factor	Measure- ment	Limits	Over	Detector Type
	(MHz)	(dBuV/m)	(dB)	(dBuV/m)	(dBuV/m)	(dB)	
Low channel:2412MHz							
V	4824.00	68.87	-19.95	48.92	74.00	-25.08	PK
V	4824.00	60.26	-19.95	40.31	54.00	-13.69	AV
V	7236.00	57.94	-14.14	43.80	74.00	-30.20	PK
V	7236.00	47.01	-14.14	32.87	54.00	-21.13	AV
H	4824.00	67.58	-19.95	47.63	74.00	-26.37	PK
H	4824.00	58.29	-19.95	38.34	54.00	-15.66	AV
H	7236.00	55.38	-14.14	41.24	74.00	-32.76	PK
H	7236.00	48.02	-14.14	33.88	54.00	-20.12	AV
Middle channel:2437MHz							
V	4874.00	65.49	-19.85	45.64	74.00	-28.36	PK
V	4874.00	57.56	-19.85	37.71	54.00	-16.29	AV
V	7311.00	57.56	-13.93	43.63	74.00	-30.37	PK
V	7311.00	48.45	-13.93	34.52	54.00	-19.48	AV
H	4874.00	64.45	-19.85	44.60	74.00	-29.40	PK
H	4874.00	54.92	-19.85	35.07	54.00	-18.93	AV
H	7311.00	56.53	-13.93	42.60	74.00	-31.40	PK
H	7311.00	48.12	-13.93	34.19	54.00	-19.81	AV
High channel:2462MHz							
V	4924.00	67.45	-19.75	47.70	74.00	-26.30	PK
V	4924.00	57.55	-19.75	37.80	54.00	-16.20	AV
V	7386.00	59.12	-13.72	45.40	74.00	-28.60	PK
V	7386.00	48.85	-13.72	35.13	54.00	-18.87	AV
H	4924.00	64.50	-19.75	44.75	74.00	-29.25	PK
H	4924.00	53.91	-19.75	34.16	54.00	-19.84	AV
H	7386.00	57.13	-13.72	43.41	74.00	-30.59	PK
H	7386.00	49.03	-13.72	35.31	54.00	-18.69	AV

Remark:

- 1.Measurement = Reading Level + Correct Factor,
Correct Factor = Antenna Factor + Cable Loss – Pre-amplifier,
Over= Measurement – Limit
- 2.If peak below the average limit, the average emission was no test.
3. In restricted bands of operation, The spurious emissions below the permissible value more than 20dB
4. The amplitude of spurious emissions which are attenuated by more than 20dB below the permissible value has no need to be reported.
5. The worst case is Antenna A.

802.11n20

Polar (H/V)	Fre- quency	Reading Level	Correct Factor	Measure- ment	Limits	Over	Detector Type
	(MHz)	(dBuV/m)	(dB)	(dBuV/m)	(dBuV/m)	(dB)	
Low channel:2412MHz							
V	4824.00	71.00	-19.95	51.05	74.00	-22.95	PK
V	4824.00	60.37	-19.95	40.42	54.00	-13.58	AV
V	7236.00	61.45	-14.14	47.31	74.00	-26.69	PK
V	7236.00	51.77	-14.14	37.63	54.00	-16.37	AV
H	4824.00	66.87	-19.95	46.92	74.00	-27.08	PK
H	4824.00	56.84	-19.95	36.89	54.00	-17.11	AV
H	7236.00	59.38	-14.14	45.24	74.00	-28.76	PK
H	7236.00	51.56	-14.14	37.42	54.00	-16.58	AV
Middle channel:2437MHz							
V	4874.00	68.06	-19.85	48.21	74.00	-25.79	PK
V	4874.00	59.70	-19.85	39.85	54.00	-14.15	AV
V	7311.00	58.80	-13.93	44.87	74.00	-29.13	PK
V	7311.00	48.98	-13.93	35.05	54.00	-18.95	AV
H	4874.00	63.40	-19.85	43.55	74.00	-30.45	PK
H	4874.00	52.75	-19.85	32.90	54.00	-21.10	AV
H	7311.00	57.07	-13.93	43.14	74.00	-30.86	PK
H	7311.00	49.32	-13.93	35.39	54.00	-18.61	AV
High channel:2462MHz							
V	4924.00	70.51	-19.75	50.76	74.00	-23.24	PK
V	4924.00	62.20	-19.75	42.45	54.00	-11.55	AV
V	7386.00	64.30	-13.72	50.58	74.00	-23.42	PK
V	7386.00	54.55	-13.72	40.83	54.00	-13.17	AV
H	4924.00	68.60	-19.75	48.85	74.00	-25.15	PK
H	4924.00	59.24	-19.75	39.49	54.00	-14.51	AV
H	7386.00	63.28	-13.72	49.56	74.00	-24.44	PK
H	7386.00	55.75	-13.72	42.03	54.00	-11.97	AV

Remark:

- 1.Measurement = Reading Level + Correct Factor,
Correct Factor = Antenna Factor + Cable Loss – Pre-amplifier,
Over= Measurement – Limit
- 2.If peak below the average limit, the average emission was no test.
3. In restricted bands of operation, The spurious emissions below the permissible value more than 20dB
4. The amplitude of spurious emissions which are attenuated by more than 20dB below the permissible value has no need to be reported.
5. Test Mode is MIMO Mode.

802.11n40

Polar (H/V)	Fre- quency	Reading Level	Correct Factor	Measure- ment	Limits	Over	Detector Type
	(MHz)	(dBUV/m)	(dB)	(dBUV/m)	(dBUV/m)	(dB)	
Low channel:2422MHz							
V	4844.00	68.56	-19.91	48.65	74.00	-25.35	PK
V	4844.00	59.61	-19.91	39.70	54.00	-14.30	AV
V	7266.00	58.43	-14.06	44.37	74.00	-29.63	PK
V	7266.00	47.68	-14.06	33.62	54.00	-20.38	AV
H	4844.00	65.36	-19.91	45.45	74.00	-28.55	PK
H	4844.00	56.01	-19.91	36.10	54.00	-17.90	AV
H	7266.00	56.99	-14.06	42.93	74.00	-31.07	PK
H	7266.00	49.43	-14.06	35.37	54.00	-18.63	AV
Middle channel:2437MHz							
V	4874.00	64.94	-19.85	45.09	74.00	-28.91	PK
V	4874.00	57.47	-19.85	37.62	54.00	-16.38	AV
V	7311.00	55.41	-13.93	41.48	74.00	-32.52	PK
V	7311.00	47.04	-13.93	33.11	54.00	-20.89	AV
H	4874.00	61.79	-19.85	41.94	74.00	-32.06	PK
H	4874.00	52.55	-19.85	32.70	54.00	-21.30	AV
H	7311.00	52.96	-13.93	39.03	74.00	-34.97	PK
H	7311.00	44.40	-13.93	30.47	54.00	-23.53	AV
High channel:2452MHz							
V	4904.00	66.27	-19.79	46.48	74.00	-27.52	PK
V	4904.00	58.17	-19.79	38.38	54.00	-15.62	AV
V	7356.00	60.02	-13.80	46.22	74.00	-27.78	PK
V	7356.00	49.54	-13.80	35.74	54.00	-18.26	AV
H	4904.00	65.21	-19.79	45.42	74.00	-28.58	PK
H	4904.00	56.06	-19.79	36.27	54.00	-17.73	AV
H	7356.00	57.45	-13.80	43.65	74.00	-30.35	PK
H	7356.00	50.40	-13.80	36.60	54.00	-17.40	AV

Remark:

- 1.Measurement = Reading Level + Correct Factor,
Correct Factor = Antenna Factor + Cable Loss – Pre-amplifier,
Over= Measurement – Limit
- 2.If peak below the average limit, the average emission was no test.
3. In restricted bands of operation, The spurious emissions below the permissible value more than 20dB
4. The amplitude of spurious emissions which are attenuated by more than 20dB below the permissible value has no need to be reported.
5. Test Mode is MIMO Mode.

802.11ax20

Polar (H/V)	Fre- quency	Reading Level	Correct Factor	Measure- ment	Limits	Over	Detector Type
	(MHz)	(dBuV/m)	(dB)	(dBuV/m)	(dBuV/m)	(dB)	
Low channel:2412MHz							
V	4824.00	68.09	-19.95	48.14	74.00	-25.86	PK
V	4824.00	57.21	-19.95	37.26	54.00	-16.74	AV
V	7236.00	59.49	-14.14	45.35	74.00	-28.65	PK
V	7236.00	49.71	-14.14	35.57	54.00	-18.43	AV
H	4824.00	64.74	-19.95	44.79	74.00	-29.21	PK
H	4824.00	55.42	-19.95	35.47	54.00	-18.53	AV
H	7236.00	57.48	-14.14	43.34	74.00	-30.66	PK
H	7236.00	49.24	-14.14	35.10	54.00	-18.90	AV
Middle channel:2437MHz							
V	4874.00	65.65	-19.85	45.80	74.00	-28.20	PK
V	4874.00	57.38	-19.85	37.53	54.00	-16.47	AV
V	7311.00	57.79	-13.93	43.86	74.00	-30.14	PK
V	7311.00	47.99	-13.93	34.06	54.00	-19.94	AV
H	4874.00	63.36	-19.85	43.51	74.00	-30.49	PK
H	4874.00	53.38	-19.85	33.53	54.00	-20.47	AV
H	7311.00	55.13	-13.93	41.20	74.00	-32.80	PK
H	7311.00	46.64	-13.93	32.71	54.00	-21.29	AV
High channel:2462MHz							
V	4924.00	67.45	-19.75	47.70	74.00	-26.30	PK
V	4924.00	58.47	-19.75	38.72	54.00	-15.28	AV
V	7386.00	59.21	-13.72	45.49	74.00	-28.51	PK
V	7386.00	49.71	-13.72	35.99	54.00	-18.01	AV
H	4924.00	66.09	-19.75	46.34	74.00	-27.66	PK
H	4924.00	55.90	-19.75	36.15	54.00	-17.85	AV
H	7386.00	57.25	-13.72	43.53	74.00	-30.47	PK
H	7386.00	48.41	-13.72	34.69	54.00	-19.31	AV

Remark:

- 1.Measurement = Reading Level + Correct Factor,
Correct Factor = Antenna Factor + Cable Loss – Pre-amplifier,
Over= Measurement – Limit
- 2.If peak below the average limit, the average emission was no test.
3. In restricted bands of operation, The spurious emissions below the permissible value more than 20dB
4. The amplitude of spurious emissions which are attenuated by more than 20dB below the permissible value has no need to be reported.
5. Test Mode is MIMO Mode.

802.11ax40

Polar (H/V)	Fre- quency	Reading Level	Correct Factor	Measure- ment	Limits	Over	Detector Type
	(MHz)	(dBuV/m)	(dB)	(dBuV/m)	(dBuV/m)	(dB)	
Low channel:2422MHz							
V	4844.00	69.31	-19.91	49.40	74.00	-24.60	PK
V	4844.00	60.89	-19.91	40.98	54.00	-13.02	AV
V	7266.00	61.64	-14.06	47.58	74.00	-26.42	PK
V	7266.00	52.28	-14.06	38.22	54.00	-15.78	AV
H	4844.00	64.50	-19.91	44.59	74.00	-29.41	PK
H	4844.00	55.45	-19.91	35.54	54.00	-18.46	AV
H	7266.00	60.44	-14.06	46.38	74.00	-27.62	PK
H	7266.00	52.21	-14.06	38.15	54.00	-15.85	AV
Middle channel:2437MHz							
V	4874.00	66.94	-19.85	47.09	74.00	-26.91	PK
V	4874.00	58.44	-19.85	38.59	54.00	-15.41	AV
V	7311.00	57.22	-13.93	43.29	74.00	-30.71	PK
V	7311.00	49.20	-13.93	35.27	54.00	-18.73	AV
H	4874.00	65.72	-19.85	45.87	74.00	-28.13	PK
H	4874.00	56.14	-19.85	36.29	54.00	-17.71	AV
H	7311.00	55.81	-13.93	41.88	74.00	-32.12	PK
H	7311.00	48.54	-13.93	34.61	54.00	-19.39	AV
High channel:2452MHz							
V	4904.00	67.96	-19.79	48.17	74.00	-25.83	PK
V	4904.00	59.38	-19.79	39.59	54.00	-14.41	AV
V	7356.00	59.87	-13.80	46.07	74.00	-27.93	PK
V	7356.00	50.26	-13.80	36.46	54.00	-17.54	AV
H	4904.00	66.64	-19.79	46.85	74.00	-27.15	PK
H	4904.00	55.70	-19.79	35.91	54.00	-18.09	AV
H	7356.00	57.48	-13.80	43.68	74.00	-30.32	PK
H	7356.00	50.17	-13.80	36.37	54.00	-17.63	AV

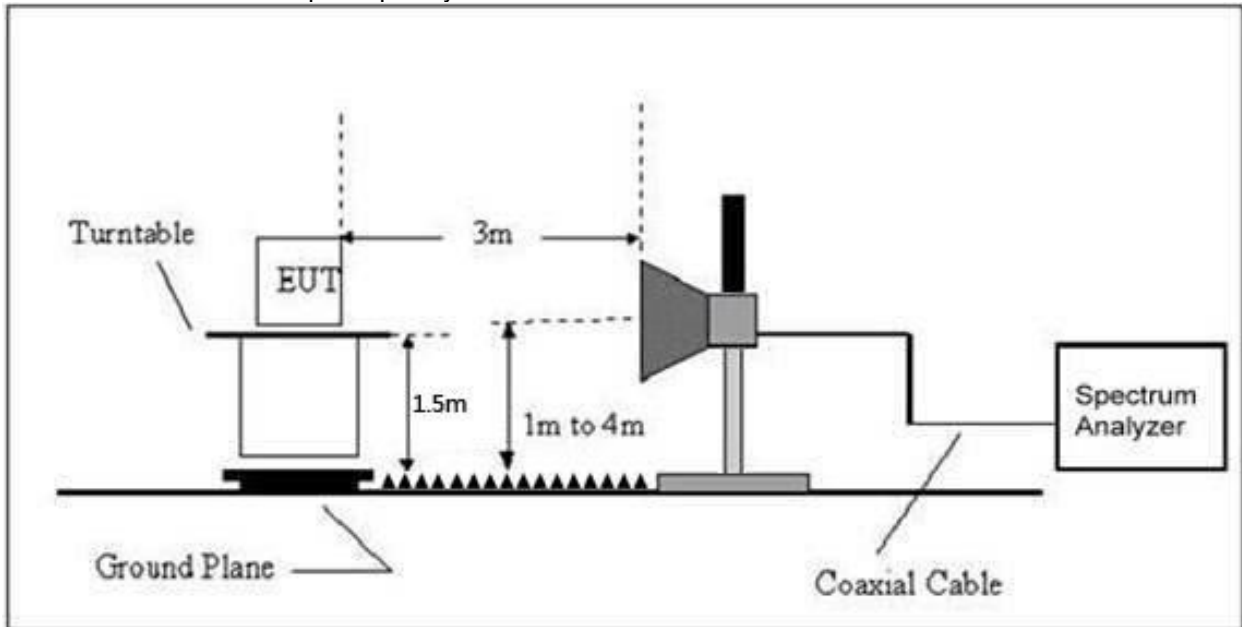
Remark:

- 1.Measurement = Reading Level + Correct Factor,
Correct Factor = Antenna Factor + Cable Loss – Pre-amplifier,
Over= Measurement – Limit
- 2.If peak below the average limit, the average emission was no test.
3. In restricted bands of operation, The spurious emissions below the permissible value more than 20dB
4. The amplitude of spurious emissions which are attenuated by more than 20dB below the permissible value has no need to be reported.
5. Test Mode is MIMO Mode.

8. Radiated Band Emission Measurement And Restricted Bands Of Operation

8.1 Block Diagram Of Test Setup

Radiated Emission Test-Up Frequency Above 1GHz



8.2 Limit

FCC Part15 C Section 15.209 and 15.205

(a) Except as shown in paragraph (d) of this section, only spurious emissions are permitted in any of the frequency bands listed below:

MHz	MHz	MHz	GHz
0.090-0.110	16.42-16.423	399.9-410	4.5-5.15
0.495-0.505	16.69475-16.69525	608-614	5.35-5.46
2.1735-2.1905	16.80425-16.80475	960-1240	7.25-7.75
4.125-4.128	25.5-25.67	1300-1427	8.025-8.5
4.17725-4.17775	37.5-38.25	1435-1626.5	9.0-9.2
4.20725-4.20775	73-74.6	1645.5-1646.5	9.3-9.5
6.215-6.218	74.8-75.2	1660-1710	10.6-12.7
6.26775-6.26825	108-121.94	1718.8-1722.2	13.25-13.4
6.31175-6.31225	123-138	2200-2300	14.47-14.5
8.291-8.294	149.9-150.05	2310-2390	15.35-16.2
8.362-8.366	156.52475-156.52525	2483.5-2500	17.7-21.4
8.37625-8.38675	156.7-156.9	2690-2900	22.01-23.12
8.41425-8.41475	162.0125-167.17	3260-3267	23.6-24.0
12.29-12.293	167.72-173.2	3332-3339	31.2-31.8
12.51975-12.52025	240-285	3345.8-3358	36.43-36.5
12.57675-12.57725	322-335.4	3600-4400	(2)
13.36-13.41			

Limits Of Radiated Emission Measurement (Above 1000MHz)

Frequency (MHz)	Limit (dBuV/m) (at 3M)	
	Peak	Average
Above 1000	74	54

Notes:

- (1)The limit for radiated test was performed according to FCC PART 15C.
- (2)The tighter limit applies at the band edges.
- (3)Emission level (dBuV/m)=20log Emission level (uV/m).

8.3 Test procedure

Receiver Parameter	Setting
Attenuation	Auto
Start Frequency	2300MHz
Stop Frequency	2520
RB / VB (emission in restricted band)	1 MHz / 1 MHz for Peak, 1 MHz / 10Hz for Average

Above 1GHz test procedure as below:

- a.The EUT was placed on the top of a rotating table 1.5 meters above the ground at a 3 meter camber. The table was rotated 360 degrees to determine the position of the highest radiation.
- b.The EUT was set 3 meters away from the interference-receiving antenna, which was mounted on the top of a variable-height antenna tower.
- c.The antenna height is varied from one meter to four meters above the ground to determine the maximum value of the field strength. Both horizontal and vertical polarizations of the antenna are set to make the measurement.
- d.For each suspected emission, the EUT was arranged to its worst case and then the antenna was tuned to heights from 1 meter to 4 meters and the rota table was turned from 0 degrees to 360 degrees to find the maximum reading.
- e.The test-receiver system was set to Peak Detect Function and Specified Bandwidth with Maximum Hold Mode.
- f. If the emission level of the EUT in peak mode was 10dB lower than the limit specified, then testing could be stopped and the peak values of the EUT would be reported. Otherwise the emissions that did not have 10dB margin would be re-tested one by one using peak, quasi-peak or average method as specified and then reported in a data sheet.
- g. Test the EUT in the lowest channel, the middlest channel, the Highest channel.

Note:

Both horizontal and vertical antenna polarities were tested and performed pretest to three orthogonal axis. The worst case emissions were reported.

8.4 EUT Operating Conditions

The EUT was configured for testing in a typical fashion (as a customer would normally use it). The EUT has been programmed to continuously transmit during test. This operating condition was tested and used to collect the included data.

8.5 Test Result

Test mode	Polar (H/V)	Frequency (MHz)	Reading Level (dBuV/m)	Correct Factor (dB)	Measurement (dBuV/m)		Over	Result		
					PK	PK AV				
802.11b	Low Channel 2412MHz									
	H	2390.00	73.51	-25.43	48.08	74.00	54.00	-25.92	PASS	
	H	2400.00	75.78	-25.40	50.38	74.00	54.00	-23.62	PASS	
	V	2390.00	72.88	-25.43	47.45	74.00	54.00	-26.55	PASS	
	V	2400.00	74.59	-25.40	49.19	74.00	54.00	-24.81	PASS	
	High Channel 2462MHz									
	H	2483.50	73.69	-25.15	48.54	74.00	54.00	-25.46	PASS	
	H	2500.00	70.16	-25.10	45.06	74.00	54.00	-28.94	PASS	
	V	2483.50	73.32	-25.15	48.17	74.00	54.00	-25.83	PASS	
	V	2500.00	70.83	-25.10	45.73	74.00	54.00	-28.27	PASS	
	802.11g	Low Channel 2412MHz								
		H	2390.00	72.89	-25.43	47.46	74.00	54.00	-26.54	PASS
H		2400.00	75.29	-25.40	49.89	74.00	54.00	-24.11	PASS	
V		2390.00	73.67	-25.43	48.24	74.00	54.00	-25.76	PASS	
V		2400.00	73.94	-25.40	48.54	74.00	54.00	-25.46	PASS	
High Channel 2462MHz										
H		2483.50	73.36	-25.15	48.21	74.00	54.00	-25.79	PASS	
H		2500.00	69.53	-25.10	44.43	74.00	54.00	-29.57	PASS	
V		2483.50	72.76	-25.15	47.61	74.00	54.00	-26.39	PASS	
V		2500.00	71.21	-25.10	46.11	74.00	54.00	-27.89	PASS	

Remark:

- Measurement = Reading Level + Correct Factor,
Correct Factor = Antenna Factor + Cable Loss – Pre-amplifier,
Over= Measurement - Limit
- If the PK measured levels comply with average limit, then the average level were deemed to comply with average limit.
- In restricted bands of operation, The spurious emissions below the permissible value more than 20dB
- The amplitude of spurious emissions which are attenuated by more than 20dB below the permissible value has no need to be reported.
- The worst case is Antenna A.

Test mode	Polar (H/V)	Frequency (MHz)	Reading Level (dBuV/m)	Correct Factor (dB)	Measurement (dBuV/m)		Over		Result
					PK	PK	AV	PK	
802.11 n20	Low Channel 2412MHz								
	H	2390.00	72.56	-25.43	47.13	74.00	54.00	-26.87	PASS
	H	2400.00	76.36	-25.40	50.96	74.00	54.00	-23.04	PASS
	V	2390.00	73.23	-25.43	47.80	74.00	54.00	-26.20	PASS
	V	2400.00	75.73	-25.40	50.33	74.00	54.00	-23.67	PASS
	High Channel 2462MHz								
	H	2483.50	70.89	-25.15	45.74	74.00	54.00	-28.26	PASS
	H	2500.00	70.03	-25.10	44.93	74.00	54.00	-29.07	PASS
	V	2483.50	71.64	-25.15	46.49	74.00	54.00	-27.51	PASS
	V	2500.00	69.02	-25.10	43.92	74.00	54.00	-30.08	PASS
802.11 n40	Low Channel 2422MHz								
	H	2390.00	72.55	-25.43	47.12	74.00	54.00	-26.88	PASS
	H	2400.00	76.12	-25.40	50.72	74.00	54.00	-23.28	PASS
	V	2390.00	71.88	-25.43	46.45	74.00	54.00	-27.55	PASS
	V	2400.00	75.21	-25.40	49.81	74.00	54.00	-24.19	PASS
	High Channel 2452MHz								
	H	2483.50	71.31	-25.15	46.16	74.00	54.00	-27.84	PASS
	H	2500.00	69.31	-25.10	44.21	74.00	54.00	-29.79	PASS
	V	2483.50	70.85	-25.15	45.70	74.00	54.00	-28.30	PASS
	V	2500.00	67.89	-25.10	42.79	74.00	54.00	-31.21	PASS

Remark:

- Measurement = Reading Level + Correct Factor,
Correct Factor = Antenna Factor + Cable Loss – Pre-amplifier,
Over= Measurement - Limit
- If the PK measured levels comply with average limit, then the average level were deemed to comply with average limit.
- In restricted bands of operation, The spurious emissions below the permissible value more than 20dB
- The amplitude of spurious emissions which are attenuated by more than 20dB below the permissible value has no need to be reported.
- The worst case is MIMO mode.

Test mode	Polar (H/V)	Frequency (MHz)	Reading Level (dBuV/m)	Correct Factor (dB)	Measurement (dBuV/m)		Over		Result
					PK	PK	AV	PK	
802.11 ax20	Low Channel 2412MHz								
	H	2390.00	72.08	-25.43	46.65	74.00	54.00	-27.35	PASS
	H	2400.00	76.51	-25.40	51.11	74.00	54.00	-22.89	PASS
	V	2390.00	72.69	-25.43	47.26	74.00	54.00	-26.74	PASS
	V	2400.00	75.66	-25.40	50.26	74.00	54.00	-23.74	PASS
	High Channel 2462MHz								
	H	2483.50	70.82	-25.15	45.67	74.00	54.00	-28.33	PASS
	H	2500.00	68.39	-25.10	43.29	74.00	54.00	-30.71	PASS
	V	2483.50	71.68	-25.15	46.53	74.00	54.00	-27.47	PASS
	V	2500.00	69.74	-25.10	44.64	74.00	54.00	-29.36	PASS
802.11 ax40	Low Channel 2422MHz								
	H	2390.00	72.30	-25.43	46.87	74.00	54.00	-27.13	PASS
	H	2400.00	76.77	-25.40	51.37	74.00	54.00	-22.63	PASS
	V	2390.00	72.46	-25.43	47.03	74.00	54.00	-26.97	PASS
	V	2400.00	75.84	-25.40	50.44	74.00	54.00	-23.56	PASS
	High Channel 2452MHz								
	H	2483.50	71.29	-25.15	46.14	74.00	54.00	-27.86	PASS
	H	2500.00	69.92	-25.10	44.82	74.00	54.00	-29.18	PASS
	V	2483.50	72.49	-25.15	47.34	74.00	54.00	-26.66	PASS
	V	2500.00	70.65	-25.10	45.55	74.00	54.00	-28.45	PASS

Remark:

1. Measurement = Reading Level + Correct Factor,
Correct Factor = Antenna Factor + Cable Loss – Pre-amplifier,
Over= Measurement - Limit
2. If the PK measured levels comply with average limit, then the average level were deemed to comply with average limit.
- 3 In restricted bands of operation, The spurious emissions below the permissible value more than 20dB
4. The amplitude of spurious emissions which are attenuated by more than 20dB below the permissible value has no need to be reported.
- 5.The worst case is MIMO mode.

9. Antenna Requirement

9.1 Limit

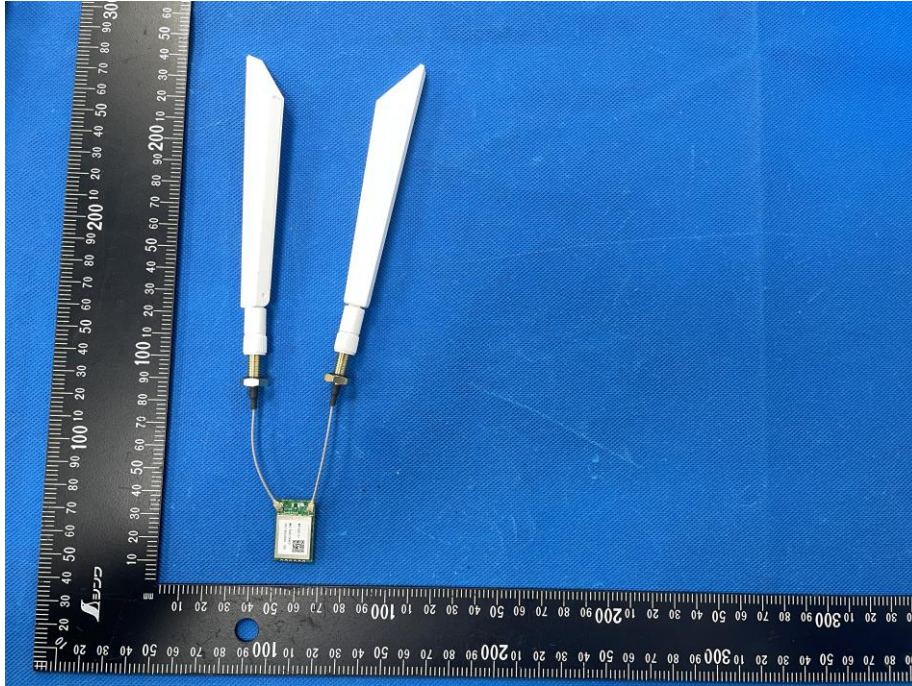
15.203 requirement: For intentional device, according to 15.203: an intentional radiator shall be designed to ensure that no antenna other than that furnished by the responsible party shall be used with the device.

9.2 Test Result

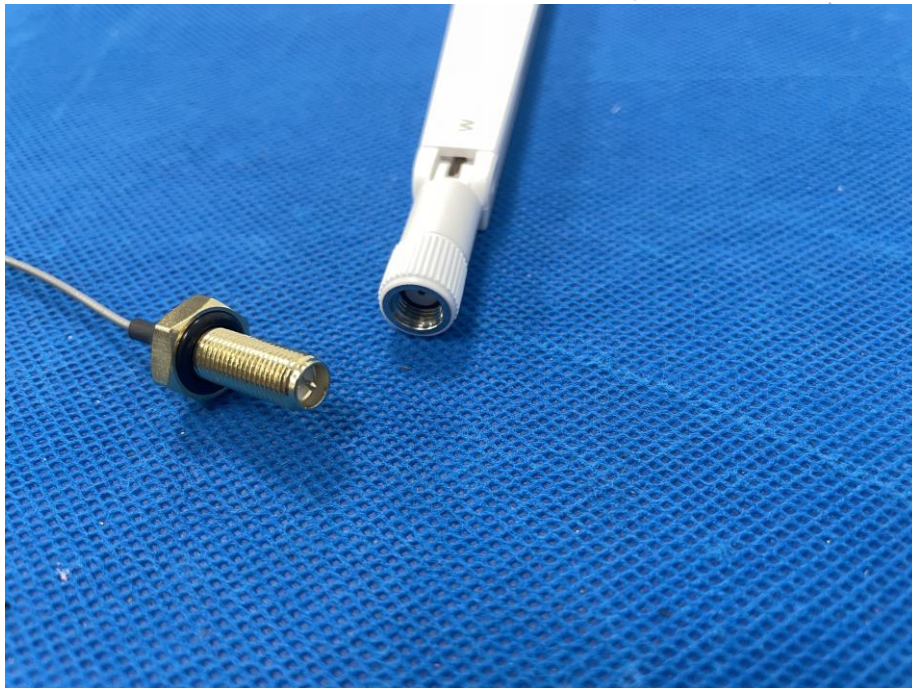
The EUT antenna is External antenna, fulfill the requirement of this section.

10. EUT Photographs

EUT Photo 1



EUT Photo 2



NOTE: Appendix-Photographs Of EUT Constructional Details

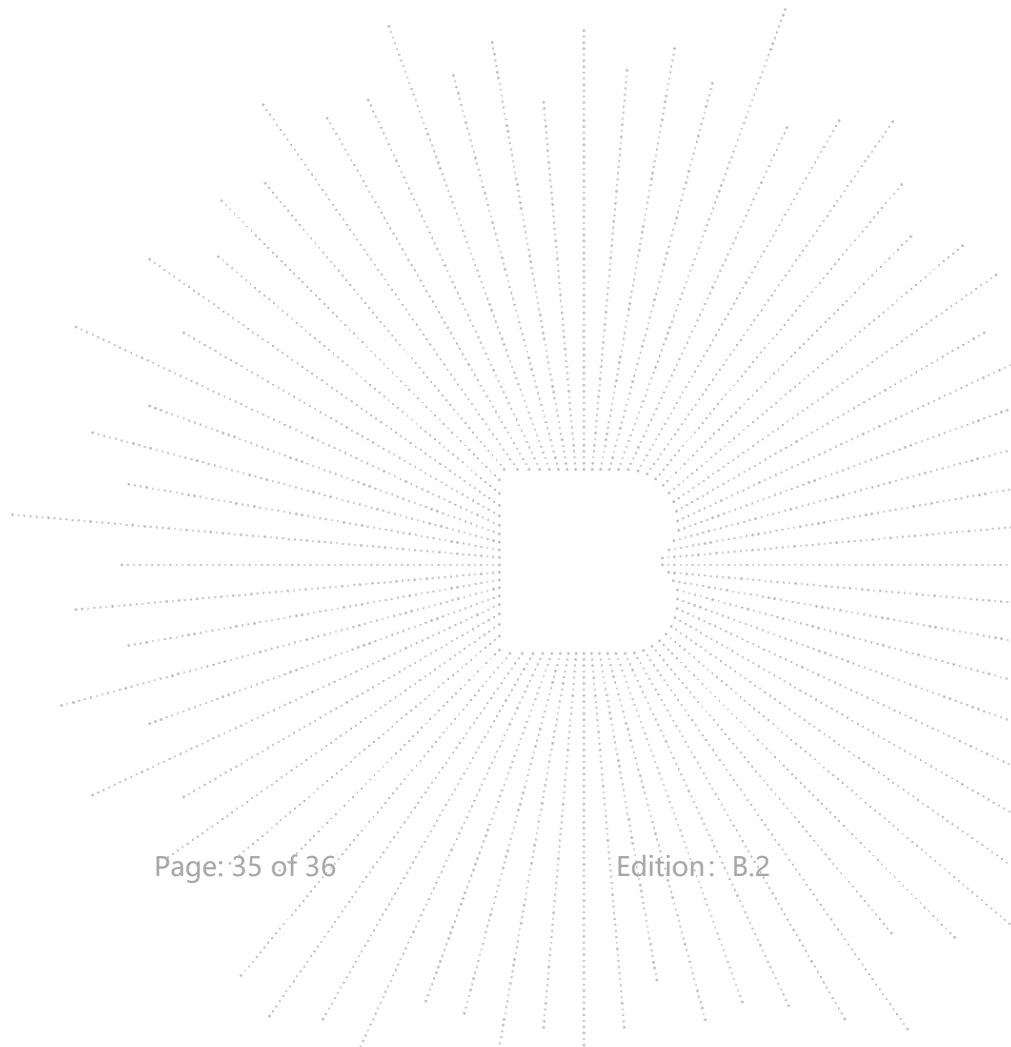
11. EUT Test Setup Photographs

Conducted Emissions Photo



Radiated Measurement Photos





STATEMENT

1. The equipment lists are traceable to the national reference standards.
2. The test report can not be partially copied unless prior written approval is issued from our lab.
3. The test report is invalid without the "special seal for inspection and testing".
4. The test report is invalid without the signature of the approver.
5. The test process and test result is only related to the Unit Under Test.
6. Sample information is provided by the client and the laboratory is not responsible for its authenticity.
7. The quality system of our laboratory is in accordance with ISO/IEC17025.
8. If there is any objection to this test report, the client should inform issuing laboratory within 15 days from the date of receiving test report.

Address:

1-2/F., Building B, Pengzhou Industrial Park, No.158, Fuyuan 1st Road, Zhancheng, Fuhai Subdistrict, Bao'an District, Shenzhen, Guangdong, China

TEL: 400-788-9558

P.C.: 518103

FAX: 0755-33229357

Website: <http://www.chnbctc.com>Consultation E-mail: bctc@bctc-lab.com.cnComplaint/Advice E-mail: advice@bctc-lab.com.cn

※※※※※ END ※※※※※