

规格承书

SPECIFICATION FOR APPROVAL

客户 Customer	百川
项目名称 Project Name	C10
客户料号 Customer NO.	
规格 specification	2.4G/5.8G wifi天线
供方料号 Supplier NO.	N12-6760-ROA
规格书编号 Specification NO.	
编写人 Write by	张明超
版本 REV.	Ver.1
日期 Date	2020/12/2
备注 Note	

客户确认 CUSTOMER APPROVED BY		
批准 Approved by	审核 Checked by	制表 Prepared by
供方确认 SUPPLIER APPROVED BY		
批准 Approved by	审核 Checked by	制表 Prepared by

1. 承认书项目表 (Index)

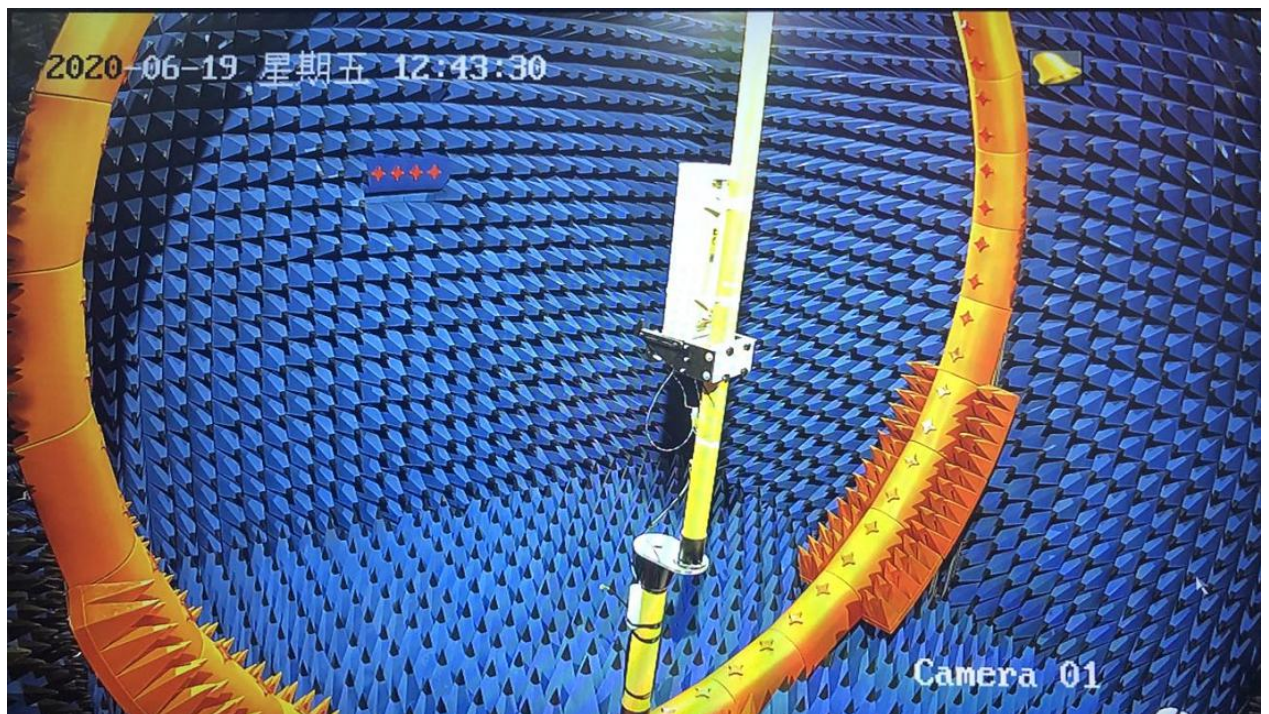
序号	内容	页码
-	承认书封面	1
-	版本变更记录	2
1	承认书项目表	3
2	试验设备和条件	4
3	样机结构说明件	5
4	S11	7
5	增益/效率/3D图	8
6	包装图	9

2. 试验设备和条件(Test Equipment & Conditions)

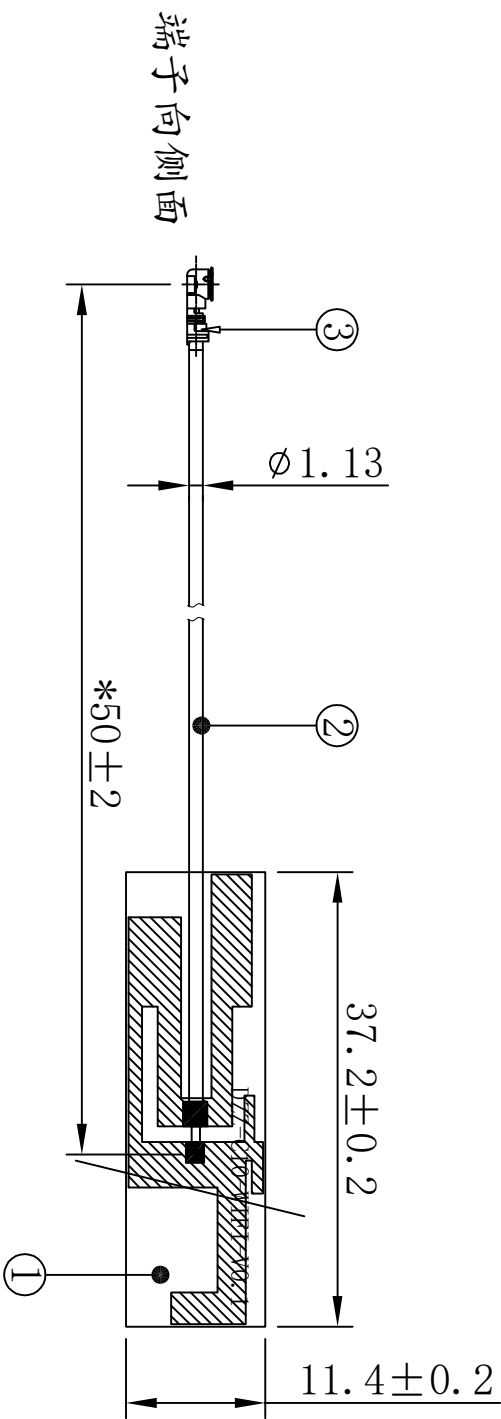
2.1. Network Analyzers : KEYSIGHT P5002A

2.2. Communications Test Set: R&S CMW 500

2.3. 3D Chamber Test System: 64探头测试系统



Rev	Description	Date	Remark
A	New drawing		

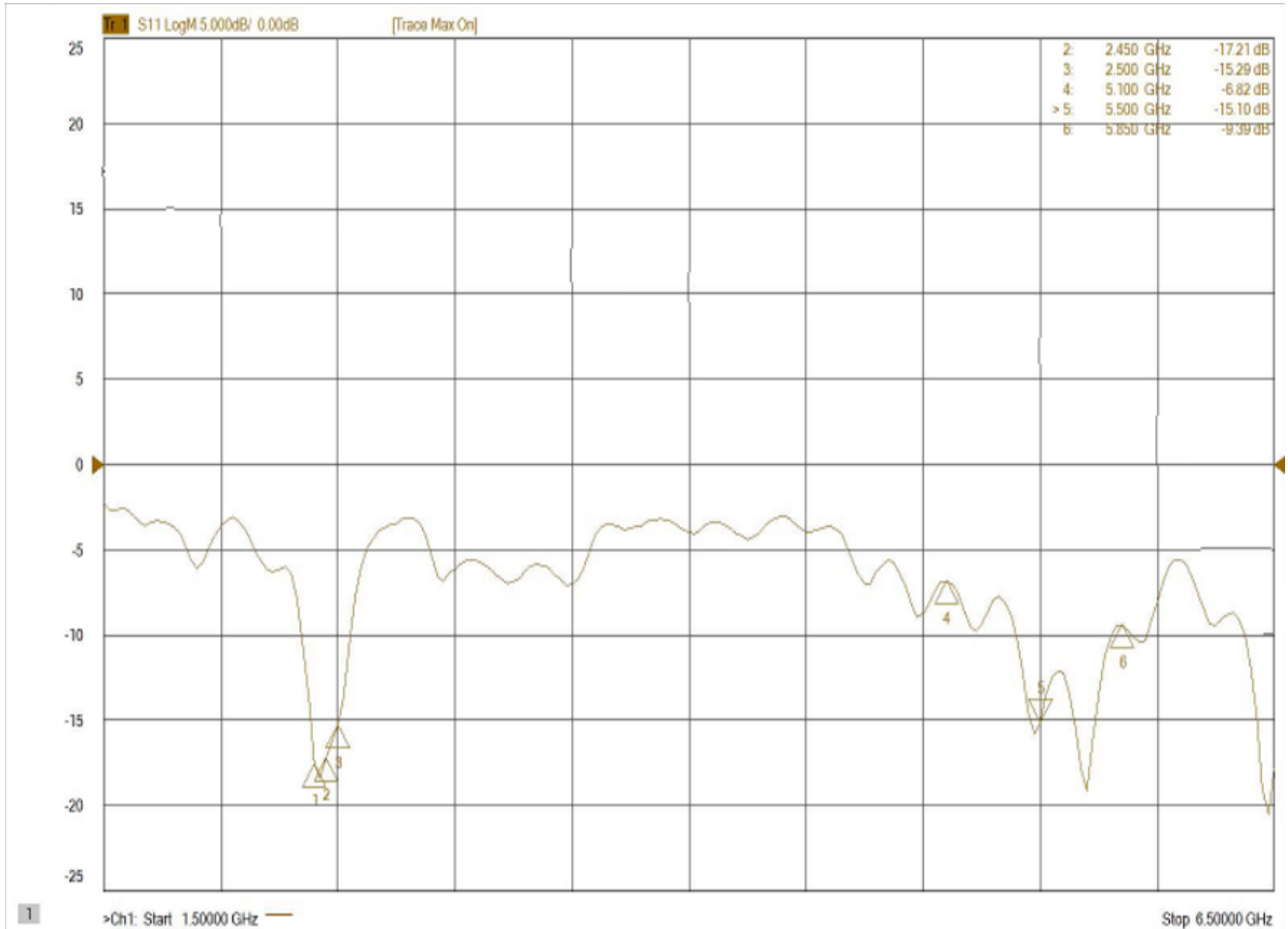


端子向侧面

- 技术要求:
1. 标“*”尺寸为重点管控尺寸;
 2. 未标注尺寸依照图纸;
 3. 无虚焊、假焊、连锡、短路、断路等焊接不良现象;
 4. 所有部件需符合RoHS要求;
 5. 成品需全检性能。

1		2		3		4		5		6		7		8	
<p style="text-align: center;">Be-Comfortable 得自在</p> <p style="text-align: center;">深圳市得自在科技有限公司 SHEN ZHEN BE-COMFORTABLE CO., LTD</p>										Project		Date		2020-10-27	
										Part Name		Designed by		吴德秋	
										Part No.		Checked by		张明超	
										Material		Approved by		PE	
										DWG No.		Unit		Scale	
										N12-6760-R0A		mm		1:1	
										Location		Angle		Rev	
										0~10 ±0.05		∅0.03		B	
										10~18 ±0.10		⊙			
										18~30 ±0.12		⊥			
										30~40 ±0.15		∠			
										40~ ±0.20		∠0.04			
										Third Angle					
										Project		Date			
										C10					
										Part Name		Designed by			
										WIFI 天线					
										Part No.		Checked by			
										N12-6760-R0A					
										Material		Approved by			
										/					
										DWG No.		Unit			
										N12-6760-R0A		mm			
										Location		Angle			
										0~10 ±0.05		∅0.03			
										10~18 ±0.10		⊙			
										18~30 ±0.12		⊥			
										30~40 ±0.15		∠			
										40~ ±0.20		∠0.04			
										Third Angle					
										Project		Date			
										C10					
										Part Name		Designed by			
										WIFI 天线					
										Part No.		Checked by			
										N12-6760-R0A					
										Material		Approved by			
										/					
										DWG No.		Unit			
										N12-6760-R0A		mm			
										Location		Angle			
										0~10 ±0.05		∅0.03			
										10~18 ±0.10		⊙			
										18~30 ±0.12		⊥			
										30~40 ±0.15		∠			
										40~ ±0.20		∠0.04			
										Third Angle					
										Project		Date			
										C10					
										Part Name		Designed by			
										WIFI 天线					
										Part No.		Checked by			
										N12-6760-R0A					
										Material		Approved by			
										/					
										DWG No.		Unit			
										N12-6760-R0A		mm			
										Location		Angle			
										0~10 ±0.05		∅0.03			
										10~18 ±0.10		⊙			
										18~30 ±0.12		⊥			
										30~40 ±0.15		∠			
										40~ ±0.20		∠0.04			
										Third Angle					
										Project		Date			
										C10					
										Part Name		Designed by			
										WIFI 天线					
										Part No.		Checked by			
										N12-6760-R0A					
										Material		Approved by			
										/					
										DWG No.		Unit			
										N12-6760-R0A		mm			
										Location		Angle			
										0~10 ±0.05		∅0.03			
										10~18 ±0.10		⊙			
										18~30 ±0.12		⊥			
										30~40 ±0.15		∠			
										40~ ±0.20		∠0.04			
										Third Angle					
										Project		Date			
										C10					
										Part Name		Designed by			
										WIFI 天线					
										Part No.		Checked by			
										N12-6760-R0A					
										Material		Approved by			
										/					
										DWG No.		Unit			
										N12-6760-R0A		mm			
										Location		Angle			
										0~10 ±0.05		∅0.03			
										10~18 ±0.10		⊙			
										18~30 ±0.12		⊥			
										30~40 ±0.15		∠			
										40~ ±0.20		∠0.04			
										Third Angle					
										Project		Date			
										C10					
										Part Name		Designed by			
										WIFI 天线					
										Part No.		Checked by			
										N12-6760-R0A					
										Material		Approved by			
										/					
										DWG No.		Unit			
										N12-6760-R0A		mm			
										Location		Angle			
										0~10 ±0.05		∅0.03			
										10~18 ±0.10		⊙			
										18~30 ±0.12		⊥			
										30~40 ±0.15		∠			
										40~ ±0.20		∠0.04			
										Third Angle					
										Project		Date			
										C10					
										Part Name		Designed by			
										WIFI 天线					
										Part No.		Checked by			
										N12-6760-R0A					
										Material		Approved by			
										/					
										DWG No.		Unit			
										N12-6760-R0A		mm			
										Location		Angle			
										0~10 ±0.05		∅0.03			
										10~18 ±0.10		⊙			
										18~30 ±0.12		⊥			
										30~40 ±0.15		∠			
										40~ ±0.20		∠0.04			
										Third Angle					
										Project		Date			
										C10					
										Part Name		Designed by			
										WIFI 天线					
										Part No.		Checked by			
										N12-6760-R0A					
										Material		Approved by			
										/					
										DWG No.		Unit			
										N12-6760-R0A		mm			
										Location		Angle			
										0~10 ±0.05		∅0.03			
										10~18 ±0.10		⊙			
										18~30 ±0.12		⊥			
										30~40 ±0.15		∠			
										40~ ±0.20		∠0.04			
										Third Angle					
										Project		Date			
										C10					
										Part Name		Designed by			
										WIFI 天线					
										Part No.		Checked by			
										N12-6760-R0A					
										Material		Approved by			
										/					
										DWG No.		Unit			
										N12-6760-R0A		mm			
										Location		Angle			
										0~10 ±0.05		∅0.03			
										10~18 ±0.10		⊙			
										18~30 ±0.12		⊥			
										30~40 ±0.15		∠			
										40~ ±0.20		∠0.04			
										Third Angle					
										Project		Date			
										C10					
										Part Name		Designed by			
										WIFI 天线					
										Part No.		Checked by			
										N12-6760-R0A					
										Material		Approved by			
										/					
										DWG No.		Unit			
										N12-6760-R0A		mm			
										Location		Angle			
										0~10 ±0.05		∅0.03			
										10~18 ±0.10		⊙			
										18~30 ±0.12		⊥			
										30~40 ±0.15		∠			
										40~ ±0.20		∠0.04			
										Third Angle					
										Project		Date			
										C10					
										Part Name		Designed by			
										WIFI 天线					
										Part No.		Checked by			
										N12-6760-R0A					
										Material		Approved by			
										/					
										DWG No.		Unit			
										N12-6760-R0A		mm			
										Location		Angle			
										0~10 ±0.05		∅0.03			
										10~18 ±0.10		⊙			
										18~30 ±0.12		⊥			
										30~40 ±0.15		∠			
										40~ ±0.20		∠0.04			
										Third Angle					
										Project		Date			
										C10					
										Part Name		Designed by			
										WIFI 天线					
										Part No.		Checked by			
										N12-6760-R0A					
										Material		Approved by			
										/					
										DWG No.		Unit			
										N12-6760-R0A		mm			
										Location		Angle			
										0~10 ±0.05		∅0.03			
										10~18 ±0.10		⊙			
										18~30 ±0.12		⊥			
										30~40 ±0.15		∠			
										40~ ±0.20		∠0.04			
										Third Angle					
										Project		Date			
										C10					
										Part Name		Designed by			
										WIFI 天线					
										Part No.		Checked by			
										N12-6760-R0A					
										Material		Approved by			
										/					
										DWG No.		Unit			
										N12-6760-R0A		mm			
										Location		Angle			
										0~10 ±0.05		∅0.03			
										10~18 ±0.10		⊙			
										18~30 ±0.12		⊥			
										30~40 ±0.15		∠			
										40~ ±0.20		∠0.04			
										Third Angle					
										Project		Date			
										C10					
										Part Name		Designed by			
										WIFI 天线					
										Part No.		Checked by			
										N12-6760-R0A					
										Material		Approved by			

3. VSWR

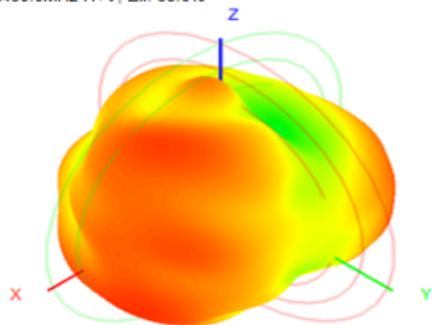


4. 增益/效率/3D图(Gain & Efficiency & 3D Pattern)

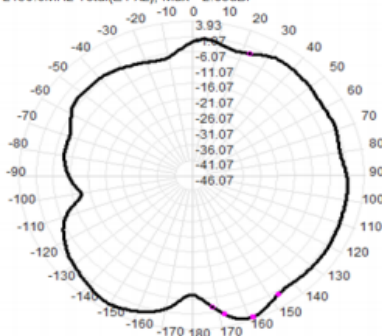
Frequency ID	1	2	3	4	5	6	7	8	9	10	11					
Frequency (MHz)	2400.0	2410.0	2420.0	2430.0	2440.0	2450.0	2460.0	2470.0	2480.0	2490.0	2500.0					
Efficiency (dBi)	-2.23	-2.22	-2.24	-2.25	-2.31	-2.32	-2.31	-2.27	-2.26	-2.24	-2.37					
Gain (dBi)	3.35	3.49	3.61	3.74	3.88	4.04	4.11	4.04	3.65	3.48	3.45					
Efficiency (%)	59.82	59.96	59.76	59.60	58.75	58.57	58.81	59.27	59.37	59.75	57.91					
Frequency ID	1	2	3	4	5	6	7	8	9	10	11	12	13	14	15	16
Frequency (MHz)	2500.0	5150.0	5200.0	5250.0	5300.0	5350.0	5400.0	5450.0	5500.0	5550.0	5600.0	5650.0	5700.0	5750.0	5800.0	5850.0
Efficiency (dBi)	-2.37	-2.67	-2.84	-2.66	-2.81	-2.70	-2.47	-2.46	-2.35	-2.26	-2.14	-2.06	-2.01	-2.11	-2.04	-2.00
Gain (dBi)	3.45	4.35	3.88	3.77	3.14	2.43	2.68	2.24	2.32	2.20	2.29	2.37	2.42	2.60	2.86	2.83
Efficiency (%)	57.91	54.05	51.97	54.21	52.33	53.71	56.60	56.79	58.27	59.45	61.07	62.25	63.02	61.56	62.46	63.17

3D / 2D

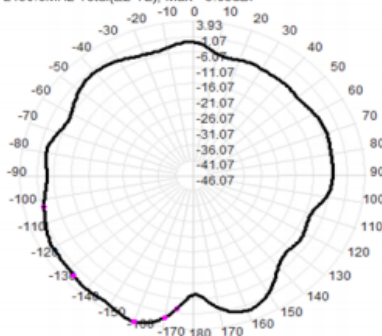
2450.0MHz H+V, Eff: 58.6%



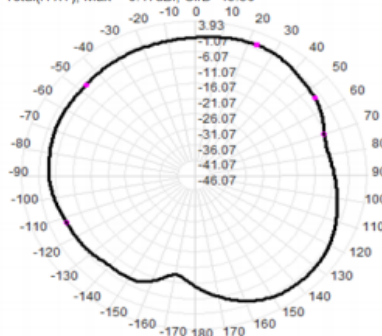
2450.0MHz Total(E1-XZ), Max= 2.83dBi



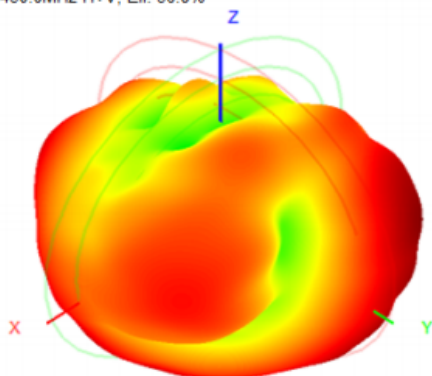
2450.0MHz Total(E2-YZ), Max= 3.93dBi



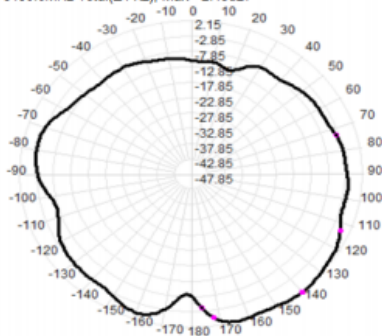
Total(H-XY), Max= -0.17dBi, CirD=13.56



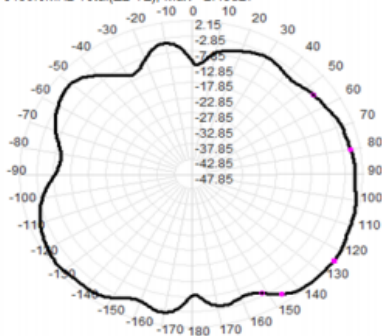
5450.0MHz H+V, Eff: 56.8%



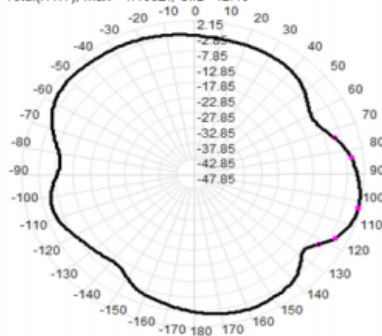
5450.0MHz Total(E1-XZ), Max= 2.15dBi



5450.0MHz Total(E2-YZ), Max= 2.15dBi



Total(H-XY), Max= 1.16dBi, CirD=12.40

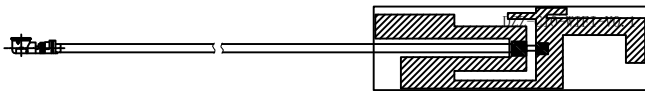


成品名称 : C10 天线 Product name: C10 antenna

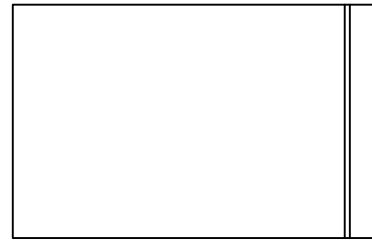
版本: A

客户: 百川

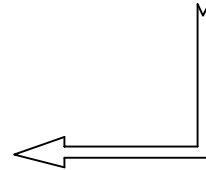
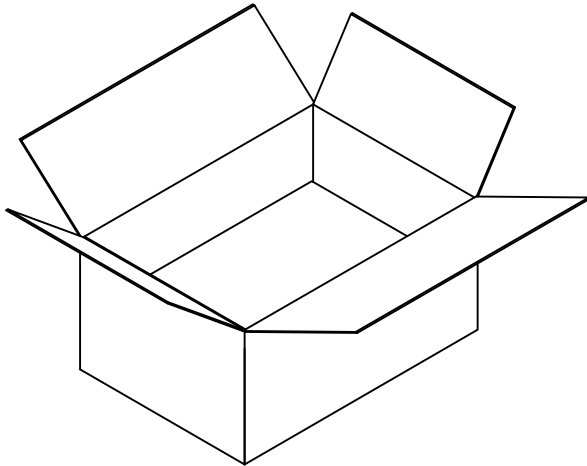
一: 成品天线
Finished antenna



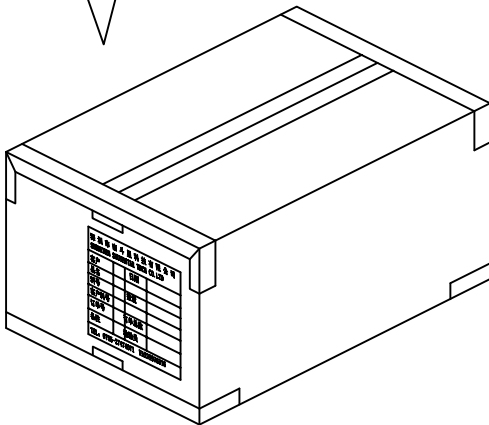
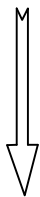
二: 装袋, 每PE袋装50PCS产品,
each PE bag contains 50PCS of
products,



三: 装袋, 每大PE袋装10小袋。
Bag, each large PE bag
contains 10 small bags.



左右分开包装。
Pack side to
side separately.



批准: _____

确认: _____

拟制: 吴德秋