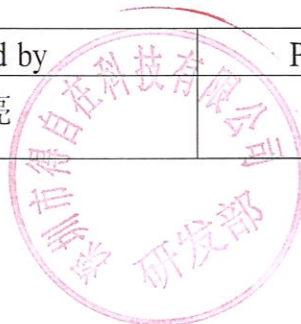


SPECIFICATION FOR APPROVAL

Customer	<u>Reolink</u>
Project Name	HH1
Customer NO.	54.07.001.0137
specification	5.8G-WIFI2 ANTENNA
Supplier NO.	N12-9358-R0A
Specification NO.,	
Write by	Hongliang. Zhou
REV.	Ver.1
Date	2024/06/07
Note	

CUSTOMER APPROVED BY		
Approved by	Checked by	Prepared by
SUPPLIER APPROVED BY		
Approved by	Checked by	Prepared by
李从放	周洪亮	张斌



Record of version changes				
Date	Content of Change	Version	Change	Prepared
2024. 6. 7	First sample seal	Ver.1		Zhou

1. Index

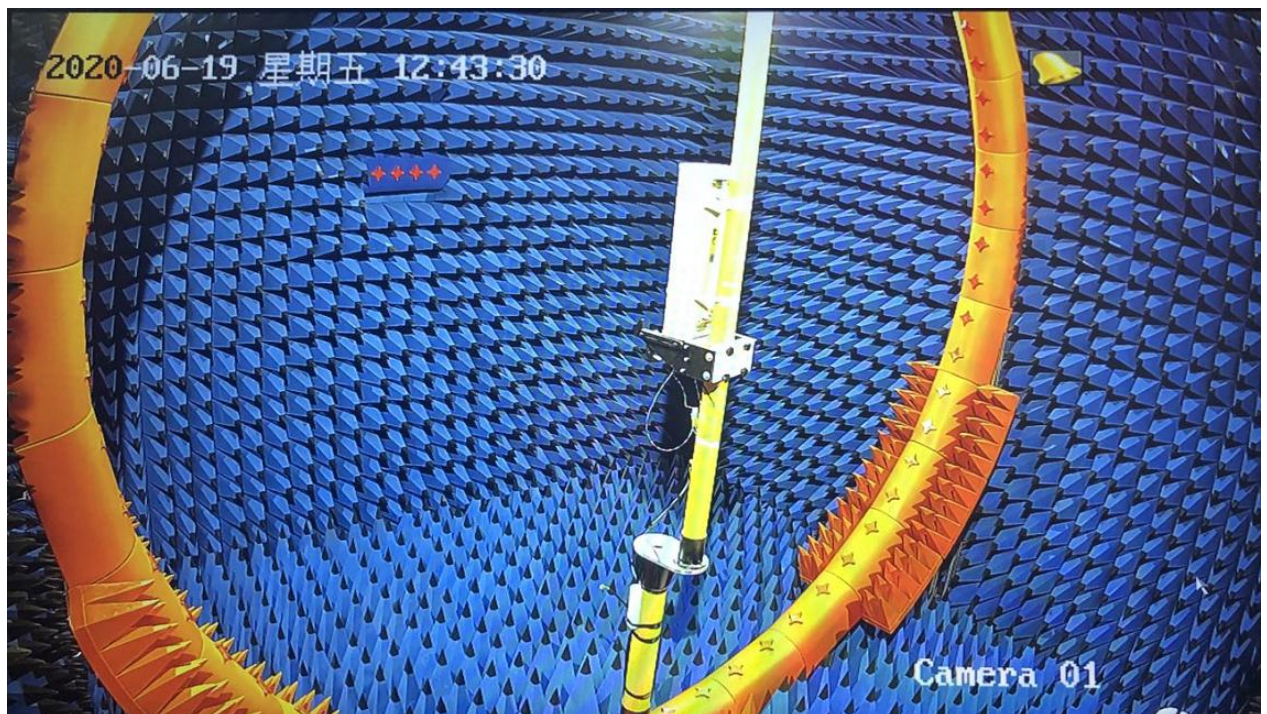
Serial No.	Content	Page
-	Cover	1
-	Change Records	2
1	List of items	3
2	Test Equipment & Conditions	4
3	Mechanical instruction	5
4	S11	7
5	Gain & Efficiency& 3D Pattern	8
6	Packaging	9

2. Test Equipment & Conditions

2.1. Network Analyzers : KEYSIGHT P5002A

2.2. Communications Test Set: R&S CMW 500

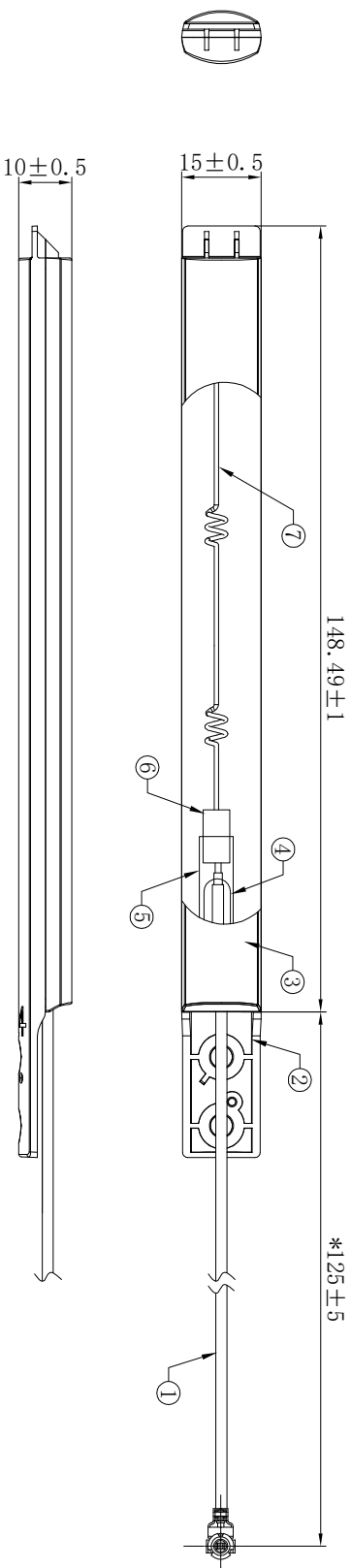
2.3. 3D Chamber Test System: 64 Probe Test system



3. Mechanical instruction



Rev	Description	Date	Remark
A	New drawing		



- Technical requirements:
1. The size marked with "*" is the key controlled size;
 2. According to the drawing without dimensions indicated;
 3. Smooth fitting without obvious wrinkles;
 4. All components must comply with RoHS requirements;
 5. The finished product needs to be fully inspected for performance.

Be-Comfortable
符合在

SHEN ZHEN BE-COMFORTABLE CO., LTD

No.	Part No.	Name	Specification	Amount	Remark
7		spring	carbon steel	1	
6		Connector	Zinc alloy	1	
5		Heat shrink tubing	Black	1	
4		Copper tube	Copper	1	
3		Upper shell	ABS, White	1	
2		Lower shell	ABS, White	1	
1		Cable	φ1.13 Cable, Black; first generation terminal	1	

Project	HH1	Date	2024-06-07
Part Name	5G-2 antenna	Designed by	Li Chongfang
Part No.	NI2-9358-R0A	Checked by	RF Zhou Hongliang
Material	/	PE	
DWG No.	NI2-9358-R0A	Approved by	

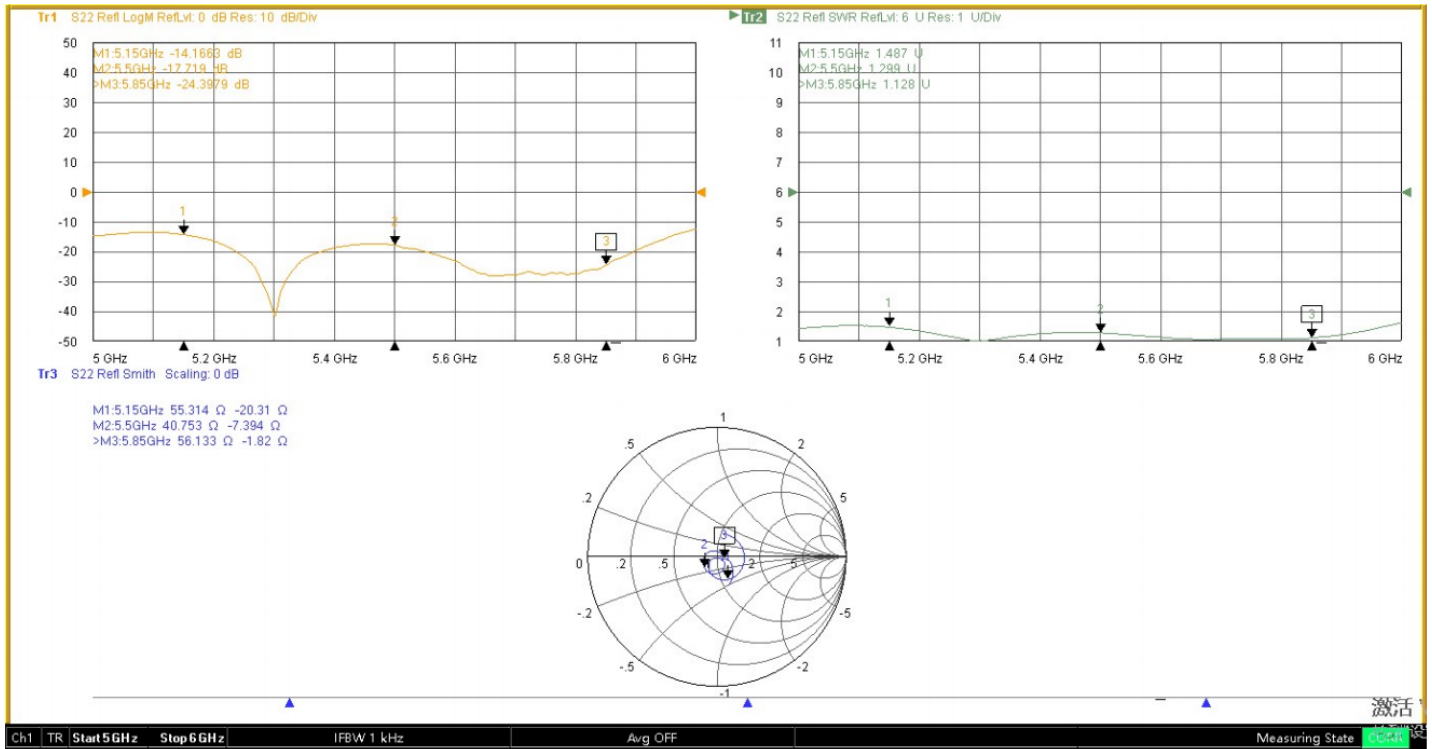
Third Angle	Project	HH1	Date	2024-06-07
0~10	±0.05	○	0.02	
10~18	±0.10	◎	φ0.03	
18~30	±0.12	⊥	0.02	
30~40	±0.15	∇	0.04	
40~	±0.20	Angle	±0.5°	

Location	5	6	7	8

Unit	mm	Scale	1:1	Rev	A

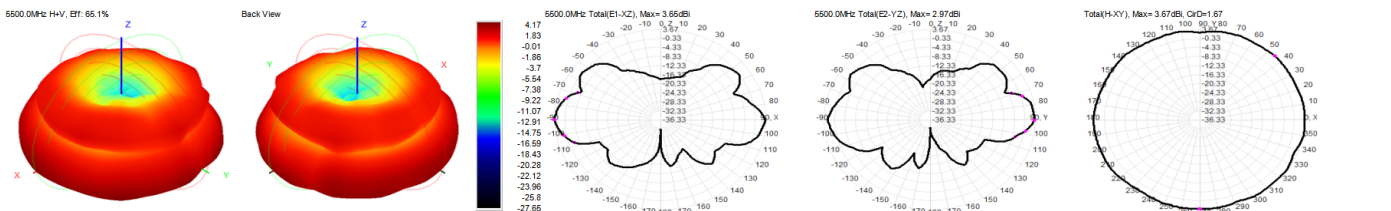
4. 4. S11-WIFI-5G-ANT only

VSWR:51500/5500/5850MHz three marker<2



5. 增益/效率/3D图(Gain & Efficiency & 3D Pattern)

Frequency (MHz)	5150.0	5200.0	5250.0	5300.0	5350.0	5400.0	5450.0	5500.0	5550.0	5600.0	5650.0	5700.0	5750.0	5800.0	5850.0
Gain (dBi)	3.58	3.72	4.04	4.24	4.66	5.05	4.70	4.17	4.27	4.02	4.23	4.13	4.12	4.08	4.09
Efficiency (%)	64.46	64.13	64.34	67.09	68.25	66.89	66.27	65.13	66.43	65.47	68.15	68.26	67.20	67.47	70.30



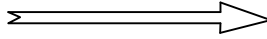
Packaging method

DATE: 2024-05-06

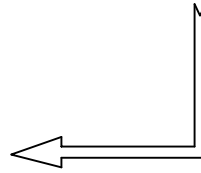
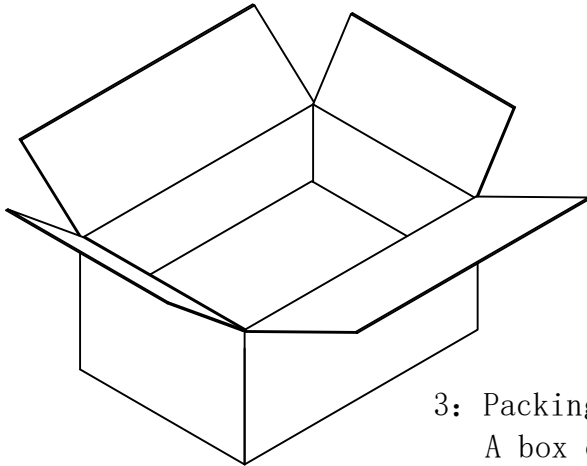
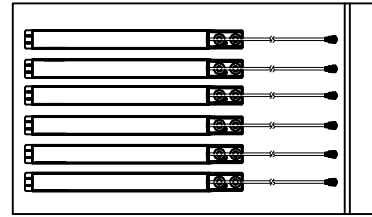
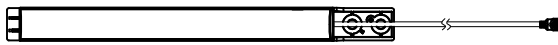
page: 1 of 1

Name : 5G antenna	Edition: A
	Customer: Reolink

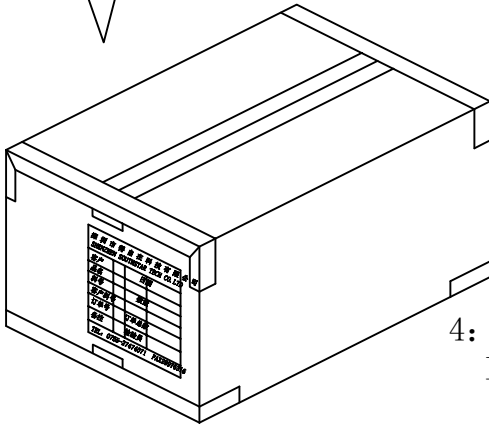
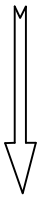
1: Antenna



2: Bagging, 10 PCS Antenna in a big bag.



3: Packing, one box per 50 large bags,
A box of 500PCS products (subject to actual packaging).



4: Seal the box and paste our production label on the outer box.

Approval: _____

Confirm: _____

Fiction: Li Chongfang