

SPECIFICATION FOR APPROVAL

Customer	<u>Reolink</u>
Project Name	HH2
Customer NO.	54.07.001.0124
specification	5G-WIFI ANT: 5150-5850MHZ
Supplier NO.	N12-9277-ROA
Specification NO.	
Write by	Hongliang. Zhou
REV.	Ver.1
Date	2024/04/08
Note	

CUSTOMER APPROVED BY		
Approved by	Checked by	Prepared by
SUPPLIER APPROVED BY		
Approved by	Checked by	Prepared by

Record of version changes				
Date	Content of Change	Version	Change	Prepared
2024. 04. 08	First sample seal	Ver.1		Zhou

1. Index

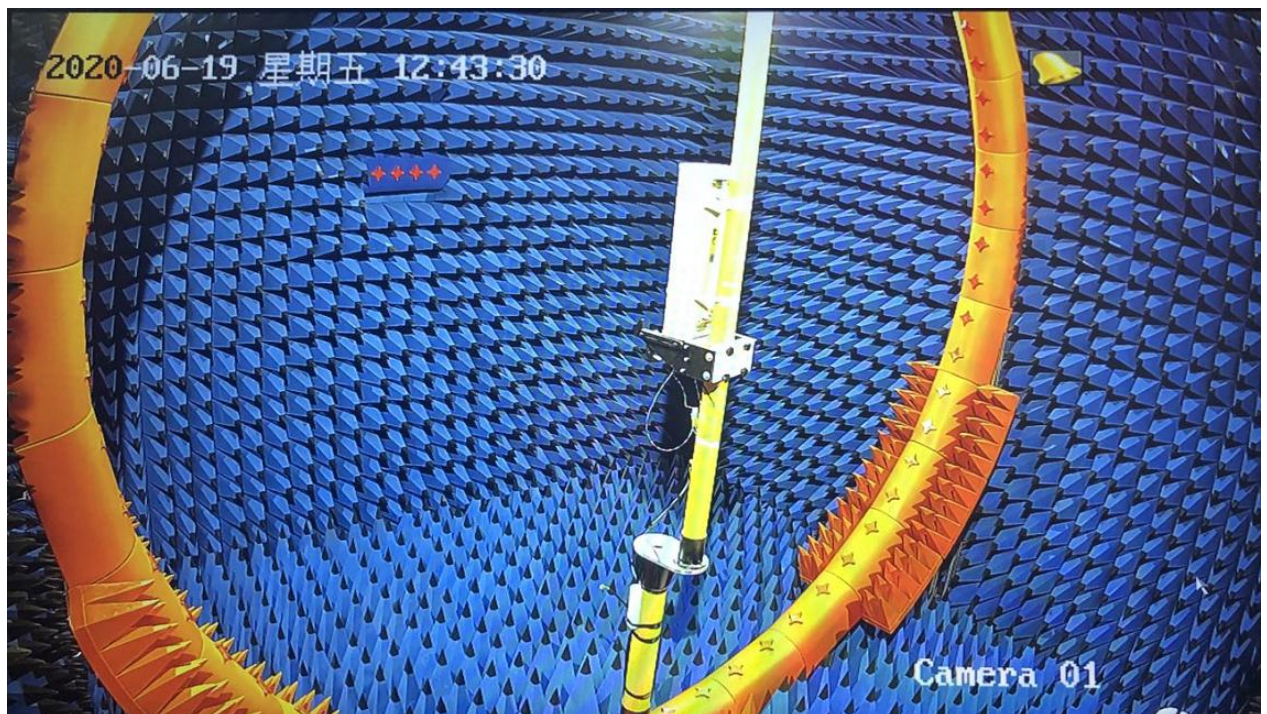
Serial No.	Content	Page
-	Cover	1
-	Change Records	2
1	List of items	3
2	Test Equipment & Conditions	4
3	Mechanical instruction	5
4	S11	7
5	Gain & Efficiency& 3D Pattern	8
6	Packaging	9

2. Test Equipment & Conditions

2.1. Network Analyzers : KEYSIGHT P5002A

2.2. Communications Test Set: R&S CMW 500

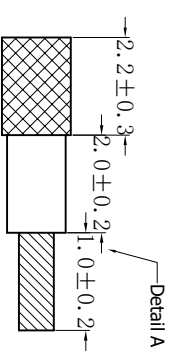
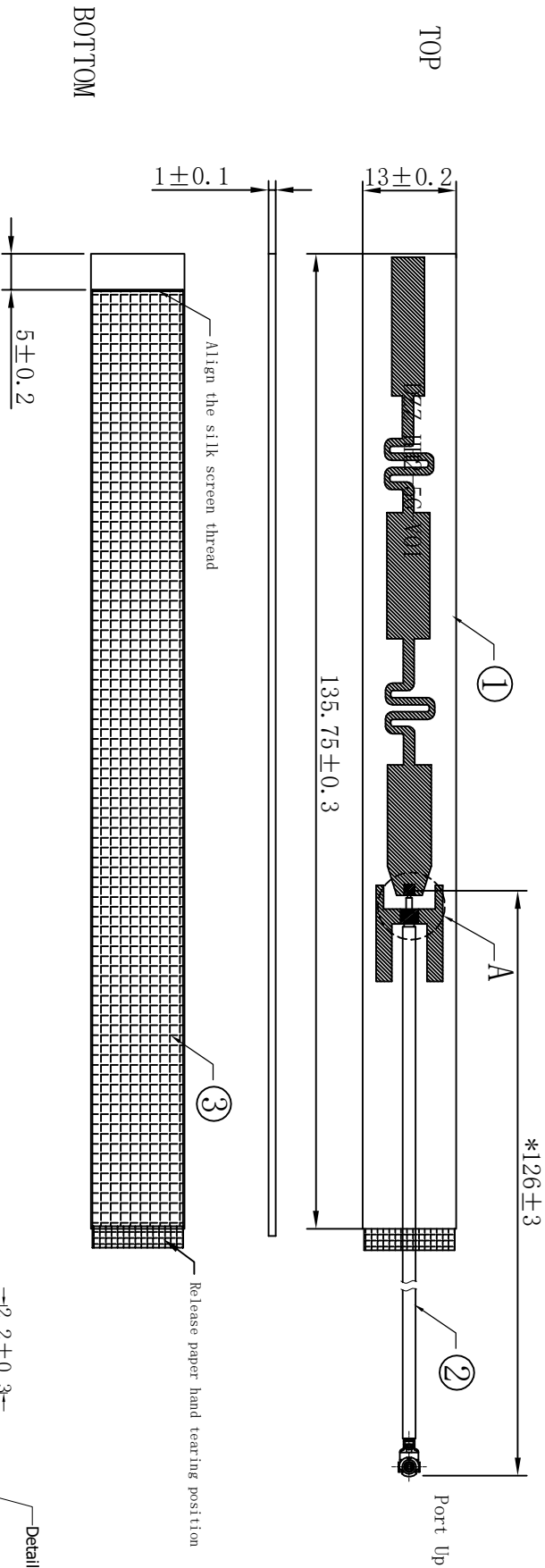
2.3. 3D Chamber Test System: 64 Probe Test system



3. Mechanical instruction



Rev	Description	Date	Remark
A	New drawing		



The weaving layer and core wire need to be soaked in tin

- Technical requirements:
1. The size marked with "*" is the key controlled size;
 2. According to the drawing without dimensions indicated;
 3. Smooth fitting without obvious wrinkles;
 4. All components must comply with RoHS requirements;
 5. The finished product needs to be fully inspected for performance.

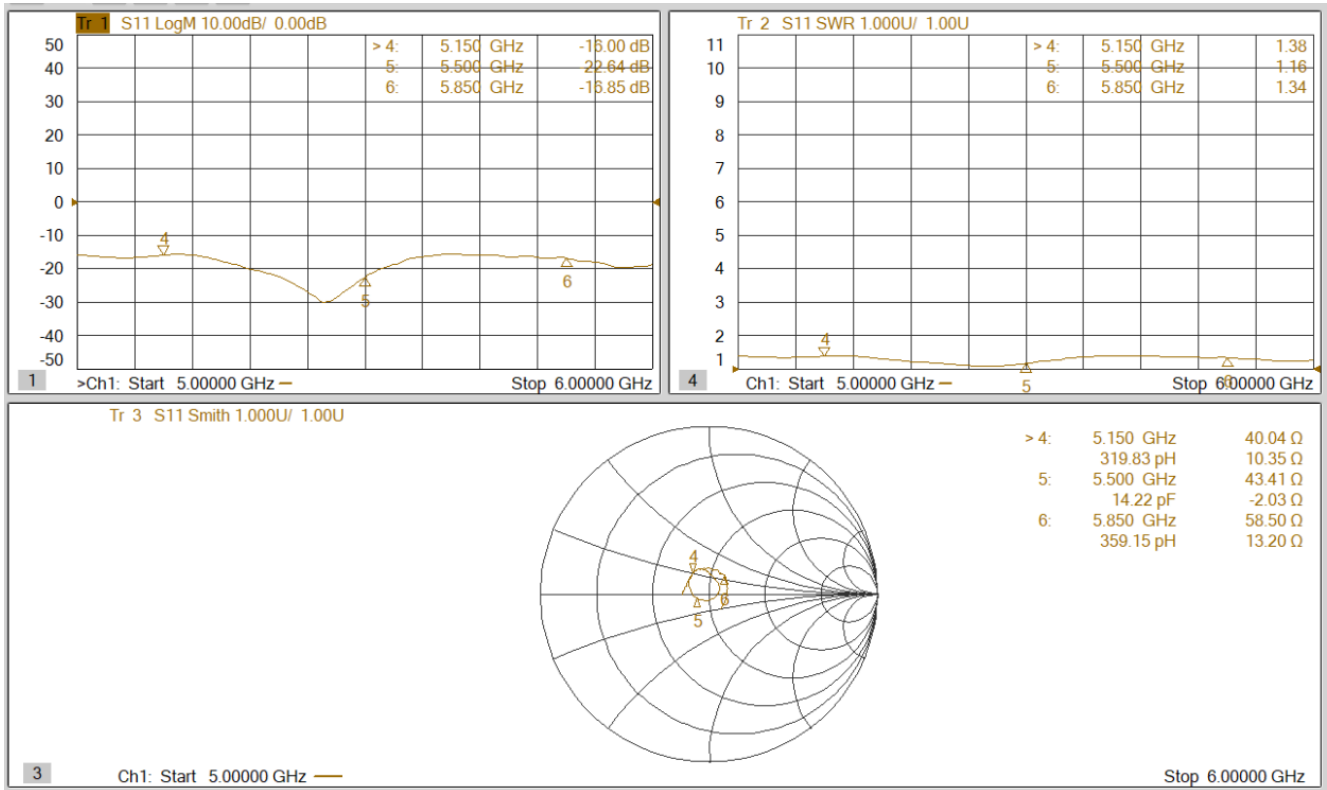
No.	Part No.	Name	Specification	Amount	Remark
3		Double-sided adhesive	3M 9448A	1	
2		Cable	∅1.13 Cable, Black, first generation terminal	1	
1		PCB	FR4, Black, 136.75*136.1mm	1	

Be-Comfortable
舒适自在

SHEN ZHEN BE-COMFORTABLE CO., LTD

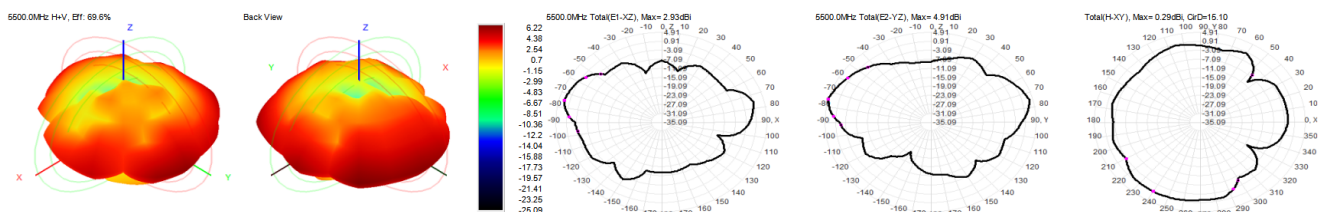
Third Angle		Project	HH2	Date	2024-04-08
0~10	±0.05	Part Name	5G antenna	Designed by	Li Chongfang
10~18	±0.10	Part No.	N12-9277-R0A	Checked by	RF Zhou Hongliang
18~30	±0.12	Material	/	PF	
30~40	±0.15	DWG No.	N12-9277-R0A	Approved by	
40~	±0.20	Location		Unit	mm
	Angle			Scale	1:1
	±0.5°			Rev	A

4. S11-WIFI-5.8G-In whole machine:
VSWR:5151/5500/5850MHz three marker<2



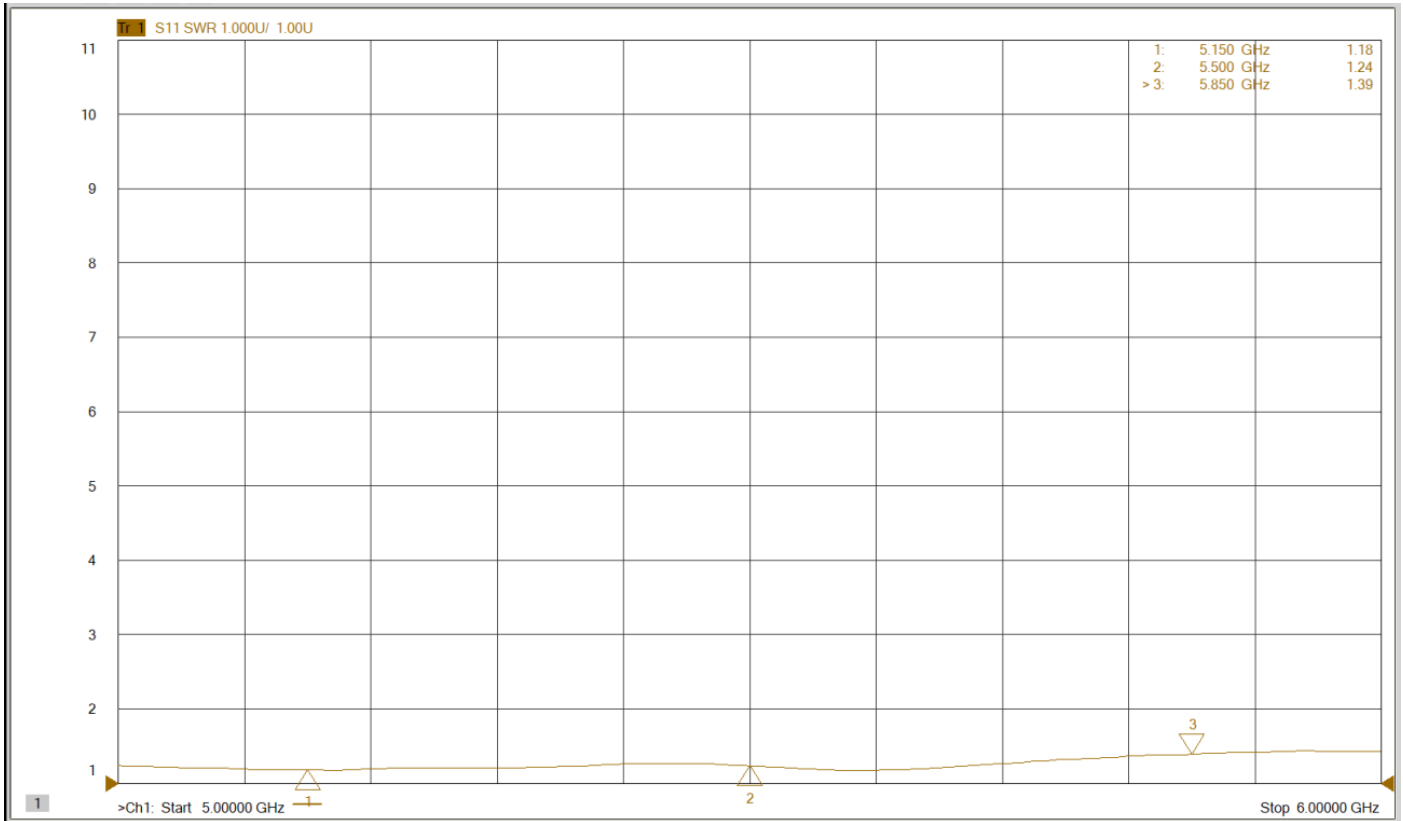
5. Gain & Efficiency & 3D Pattern

Frequency (MHz)	5150	5200	5250	5300	5350	5400	5450	5500	5550	5600	5650	5700	5750	5800	5850
Gain (dBi)	5.55	6.11	6.98	6.62	6.25	6.00	5.81	6.22	6.25	5.58	5.59	5.60	5.92	5.26	4.14
Efficiency (%)	71.98	68.90	71.77	64.76	67.55	68.11	68.35	69.59	69.35	69.08	70.05	72.33	72.80	73.25	75.17



4. S11-WIFI-5.8G-ANT only:

VSWR:5151/5500/5850MHz three marker<2.5



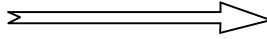
Packaging method

DATE: 2024-04-08

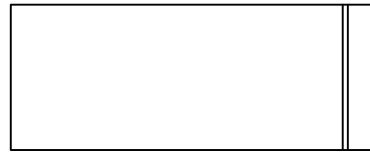
page: 1 of 1

Name : 5G antenna	Edition: A
	Customer: Reolink

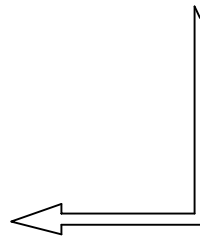
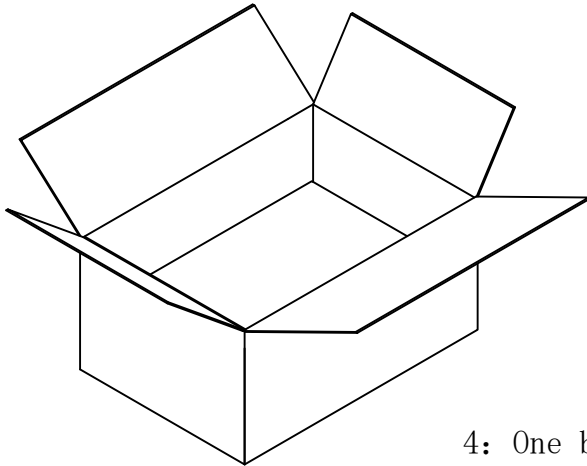
1: Antenna



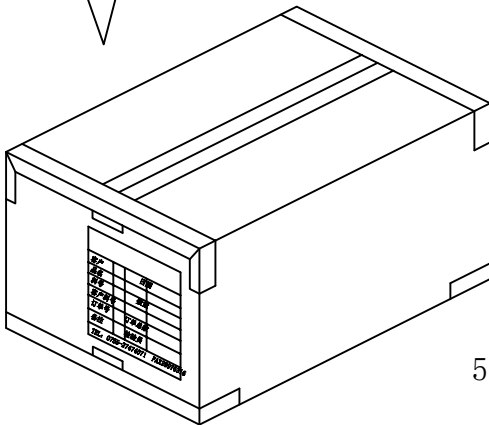
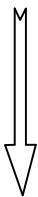
2: 50 PCS Antenna in a small bag.



3: 10 PCS Antenna in a big bag.



4: One box for every 10 package, (subject to the actual packaging).



5: Seal the box and paste our production label on the outer box.

Approval: _____

Confirm: _____

Fiction: Li Chongfang