

# Quick Start Guide

Apply to: Reolink TrackMix WiFi

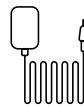
## Contents

What's in the Box .....	2
Camera Introduction .....	3
Connection Diagram .....	5
Set UP the Camera .....	6
Mount the Camera .....	7
Troubleshooting .....	10
Specification .....	11
Notification of Compliance .....	11

## What's in the Box



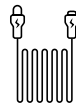
Camera



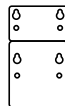
Power Adapter



1m  
Ethernet Cable



4.5m Power  
Extension Cable



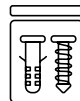
Mounting Hole  
Template



Surveillance Sign

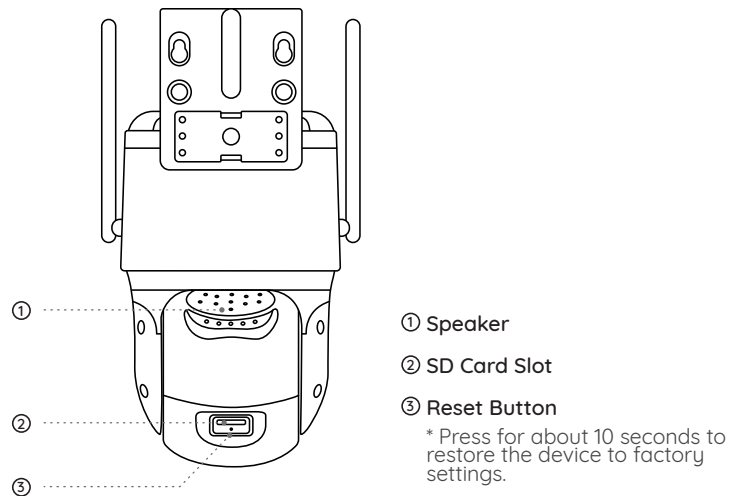
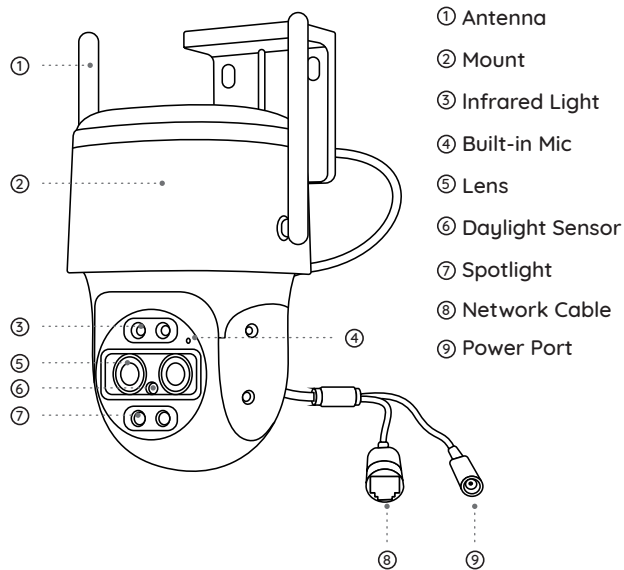


Quick Start Guide



Pack of Screws

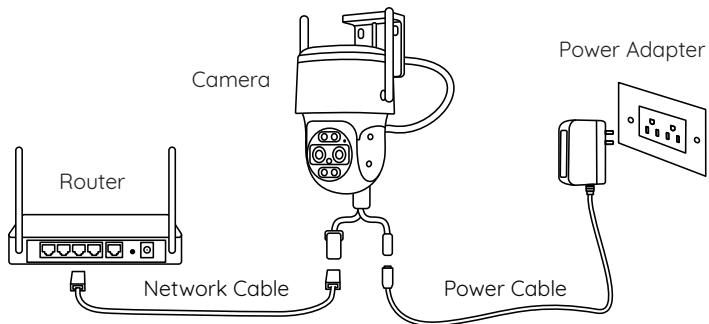
## Camera Introduction



## Connection Diagram

Before initial setup, follow the steps below to connect your camera.

1. Connect the camera to a LAN port on your router with an Ethernet cable.
2. Use the power adapter to power on the camera.



## Set UP the Camera

Download and launch the Reolink App or Client software, and follow the onscreen instructions to finish initial setup.

### • On Smartphone

Scan to download the Reolink App.



### • On PC

Download path of the Reolink Client: Go to <https://reolink.com> > Support > App & Client.

#### NOTE:

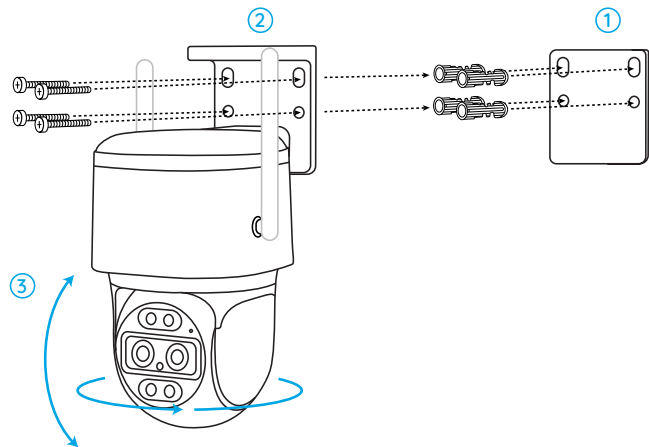
- When setting up the WiFi camera, you need to follow the onscreen instructions to finish the WiFi configuration first.

## Mount the Camera

### Installation Tips

- Do not face the camera towards any light sources.
- Do not point the camera towards a glass window. Otherwise, it may result in poor image quality because of the window glare caused by infrared LEDs, ambient lights or status lights.
- Do not place the camera in a shaded area and point it towards a well-lit area. Otherwise, it may result in poor image quality. To ensure best image quality, the lighting condition for both the camera and the capture object should be the same.
- To ensure better image quality, it's recommended to clean the lens cover with a soft cloth from time to time.
- Make sure the power ports are not directly exposed to water or moisture and not blocked by dirt or other elements.
- The waterproof camera can work properly under conditions like rain and snow. However, it doesn't mean the camera can work underwater.
- Do not install the camera at places where rain and snow can hit the lens directly.

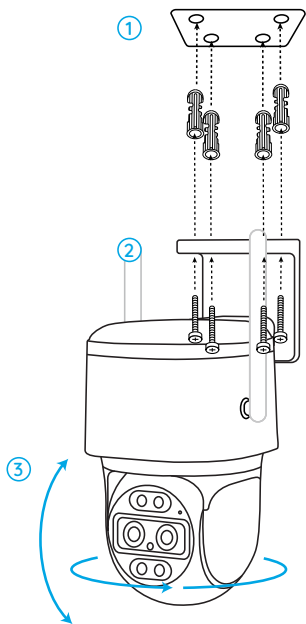
### Mount the camera to the wall



1. Drill holes in accordance with the mounting hole template.
2. Install the mount base with screws included in the package.
3. To adjust the camera direction, you may control the camera to pan and tilt via Reolink App or Client.

**NOTE:** Use the drywall anchors included in the package if needed.

## Mount the Camera to Ceiling



1. Drill holes in accordance with the mounting hole template.
2. Install the mount base with screws included in the package.
3. To adjust the camera direction, you may control the camera to pan and tilt via Reolink App or Client.

**NOTE:** Use the drywall anchors included in the package if needed.

## Troubleshooting

### Camera is not powering on

If your camera is not powering on, please try the following solutions:

- Plug the camera into a different outlet and see if it works.
- Power on the camera with another working 12V 2A DC adapter and see if it works.

If the problem is not solved, please contact Reolink Support.

### Picture is not clear

If the picture from the camera is not clear, please try the following solutions:

- Check the camera lens for dirt, dust or spiderwebs.
- Point the camera to a well-lit area. The lighting condition will affect the picture quality a lot.
- Upgrade the firmware of your camera to the latest version.
- Restore the camera to factory settings and check it again.

If the problem is not solved, please contact Reolink Support.

# Specification

## Hardware Features

Infrared Night Vision: Up to 30 meters (95ft)

Day/Night Mode: Auto switchover

Field of View: Horizontal 104°-38°; Vertical: 60°-21°

## General

Dimension: 228.2\*147\*129mm

Weight: 1.21KG

Operating Temperature: -10°C~+55°C (14°F~131°F)

Operating Humidity: 10%~90%

For more specifications, visit <https://reolink.com/>.

# Notification of Compliance

## FCC Compliance Statements

This device complies with Part 15 of the FCC Rules. Operation is subject to the following two conditions: (1) this device may not cause harmful interference, and (2) this device must accept any interference received, including interference that may cause undesired operation.

**Note:** This equipment has been tested and found to comply with the limits for a Class B digital device, pursuant to Part 15 of the FCC Rules. These limits are designed to provide reasonable protection against harmful interference in a residential installation. This equipment generates, uses and can radiate radio frequency energy and, if not installed and used in accordance with the instructions, may cause harmful interference to radio communications. However, there is no guarantee that interference will not occur in a particular installation. If this equipment does cause harmful interference to radio or television reception, which can be determined by turning the equipment off and on, the user is encouraged to try to correct the interference by one or more of the following measures:

- Reorient or relocate the receiving antenna.
- Increase the separation between the equipment and receiver.
- Connect the equipment into an outlet on a circuit different from that to which the receiver is connected.
- Consult the dealer or an experienced radio/TV technician for help.

Caution: Changes or modifications not expressly approved by the party responsible for compliance could void the user's authority to operate the equipment.

This equipment complies with FCC radiation exposure limits set forth for an uncontrolled environment. This equipment should be installed and operated with minimum distance 20cm between the radiator and your body.