

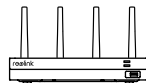
# Quick Start Guide

Apply to: E1 Outdoor S

## Contents

What's in the Box	2
NVR Introduction	3
Camera Introduction	4
Network Topology Diagram	5
Connection Diagram	6
Access the NVR via Smartphone or PC	8
Mount Tips for the Camera	9
Troubleshooting	10
Specification	11
Notification of Compliance	12

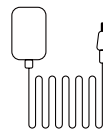
## What's in the Box



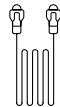
NVR



Camera



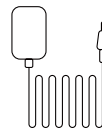
NVR Power  
Adapter



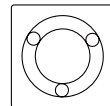
1m Ethernet  
Cable



HDMI Cable



Camera Power  
Adapter



Mounting Hole  
Template



Surveillance  
Sticker



Pack of  
Screws



Quick Start  
Guide

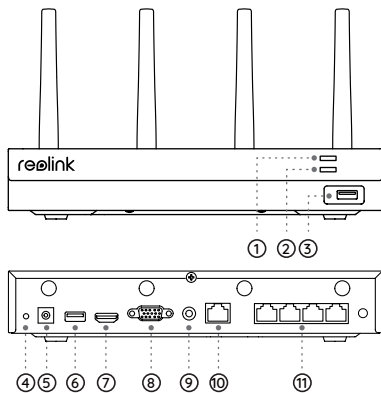


Power Extension  
Cable



USB Mouse

## NVR Introduction



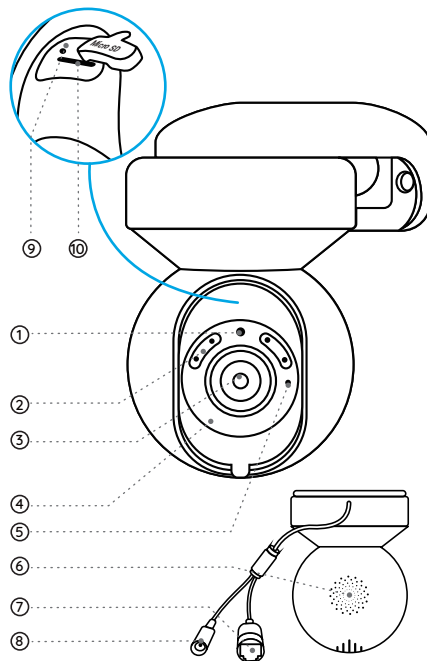
- ① Power LED
- ② HDD LED
- ③ USB Port
- ④ Reset
- ⑤ Power Input
- ⑥ USB Port
- ⑦ HDMI Port
- ⑧ VGA Port
- ⑨ Audio Out
- ⑩ LAN Port(For Internet)
- ⑪ LAN Port (For IPC)

### Different states of the status LEDs:

Power LED: Solid green to indicate the NVR is powered on.

HDD LED: Flashing red to indicate the hard drive is operating properly.

## Camera Introduction



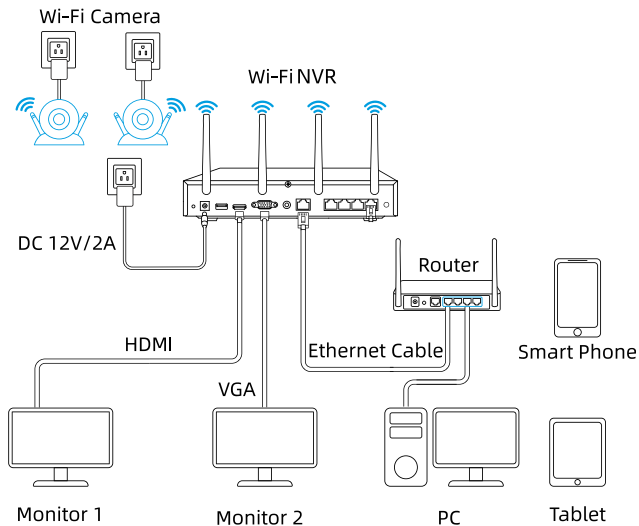
- ① Daylight Sensor
- ② Spotlight
- ③ Lens
- ④ IR LEDs
- ⑤ Built-in Mic
- ⑥ Speaker
- ⑦ Network Port
- ⑧ Power Port
- ⑨ Reset Button

\* Press for more than five seconds to restore the device to default settings.

### ⑩ microSD Card Slot

\* Rotate the lens to find the reset button and the SD card slot.

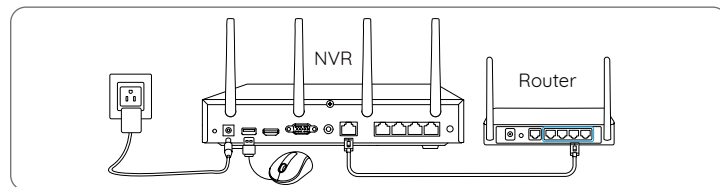
## Network Topology Diagram



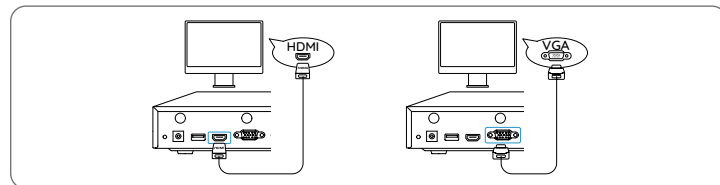
### NOTE:

1. The NVR is compatible with both Wi-Fi and PoE cameras and allows the connection of up to 12 cameras.

## Connection Diagram

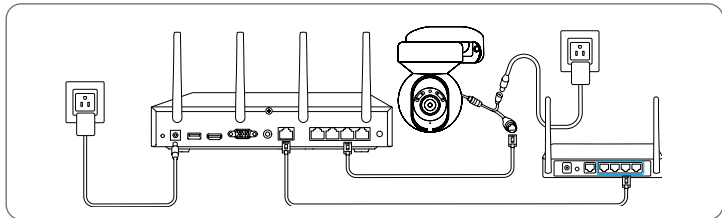


1. Power on the NVR with the provided 12V power adapter.
2. Connect the NVR to your router with an Ethernet cable if you want to remotely access your NVR via your smartphone or computer.



3. Connect the mouse to the USB port of the NVR.
4. Connect the NVR to the monitor with a VGA or HDMI cable.
5. Follow the steps on the monitor to complete the initial setup.

**NOTE:** There is no VGA cable and monitor included in the package.



6. Power on your WiFi cameras and connect them to the LAN ports (for IPC) on the NVR via Ethernet cable.



7. Click Sync Wi-Fi Info to connect the cameras to the NVR's Wi-Fi.
8. After the synchronization succeeded, remove the Ethernet cables and wait for a few seconds for them to be reconnected wirelessly.
9. Once the Wi-Fi configuration succeeds, the cameras can be installed at the desired location.

## Access the NVR via Smartphone or PC

1. UID is disabled by default. To enable remote access via your smartphone or computer, navigate to Settings > System > Info on the monitor.
2. Connect the NVR to a router using the included Ethernet cable.
3. Download and launch the Reolink App or Client and follow the instructions to access the NVR.

- On Smartphone  
Scan to download the Reolink App.
- On PC  
Download path: Go to <https://reolink.com> > Support > App & Client.



## Mount Tips for the Camera

### Installation Tips

- Do not face the camera towards any light sources.
- Do not point the camera towards a glass window. Or, it may result in poor image quality because of the window glare by infrared LEDs, ambient lights or status lights.
- Do not place the camera in a shaded area and point it towards a well-lit area. Or, it may result in poor image quality. To ensure best image quality, the lighting condition for both the camera and the capture object shall be the same.
- Make sure the power ports are not directly exposed to water or moisture and not blocked by dirt or other elements.
- With IP waterproof ratings, the camera can work properly under conditions like rain and snow. However, it doesn't mean the camera can work underwater.
- Do not install the camera at places where rain and snow can hit the lens directly.

**NOTE:** Please install the cameras within the NVR's signal range.

## Troubleshooting

### Camera Not Displaying Images on the Monitor

#### Cause 1: Camera is not Powering on

Solutions:

- Plug the camera into different outlets to see if the status LED lights up.
- Use another 12V power adapter to power on the camera.

#### Cause 2: Incorrect Account Name or Password

Solution:

Login to the NVR, go to Settings > Channel page and click Modify to input the correct password for the camera. If you forget your password, please reset your camera to reset the password to default (blank).

#### Cause 3: Camera is not Assigned to a Channel

Solution:

Go to Settings > Channel page, click the channel you want, and then select your camera for that channel. If all channels are already in use, please delete the offline camera from the NVR. Then the channel this camera was taken is free now.

## Cause 4: No WiFi After Removing the Ethernet Cable

Solutions:

- Connect the camera to the NVR with an Ethernet cable. Go to Network > Wi-Fi > Settings on the monitor to sync the NVR's WiFi.
- Install the camera within the NVR's signal range.
- Install antennas on the camera and the NVR.

If these won't work, please contact Reolink Support <https://support.reolink.com>

## Specification

### NVR

Operating Temperature: -10°C to 45°C  
RLN12W Size: 255 x 49.5 x 222.7mm  
Weight: 1.4kg, for RLN12W

### Camera

Dimension:  $\Phi$ 90 x 120mm  
Weight: 446g  
Operating Temperature: -10°C~+55°C (14°F~131°F)  
Operating Humidity: 10%~90%

## Notification of Compliance

### FCC Compliance Statements

This device complies with Part 15 of the FCC Rules. Operation is subject to the following two conditions: (1) this device may not cause harmful interference, and (2) this device must accept any interference received, including interference that may cause undesired operation.

**Note:** This equipment has been tested and found to comply with the limits for a Class B digital device, pursuant to Part 15 of the FCC Rules. These limits are designed to provide reasonable protection against harmful interference in a residential installation. This equipment generates, uses and can radiate radio frequency energy and, if not installed and used in accordance with the instructions, may cause harmful interference to radio communications. However, there is no guarantee that interference will not occur in a particular installation. If this equipment does cause harmful interference to radio or television reception, which can be determined by turning the equipment off and on, the user is encouraged to try to correct the interference by one or more of the following measures:

- Reorient or relocate the receiving antenna.
- Increase the separation between the equipment and receiver.
- Connect the equipment into an outlet on a circuit different from that to which the receiver is connected.
- Consult the dealer or an experienced radio/TV technician for help.

Caution: Changes or modifications not expressly approved by the party responsible for compliance could void the user's authority to operate the equipment.

### **FCC Radiation Exposure statement**

This equipment complies with FCC radiation exposure limits set forth for an uncontrolled environment. This equipment should be installed and operated with minimum distance 20cm between the radiator and your body.

u