

SPECIFICATION FOR APPROVAL

Customer	<u>Reolink</u>
Project Name	DB1
Customer NO.	53.05.002.0034A
specification	Housing Antenna Assembly
Supplier NO.	NOZ-1886-R0A
Specification NO.	
Write by	Hongliang. Zhou
REV.	Ver.1
Date	2023/12/09
Note	

CUSTOMER APPROVED BY		
Approved by	Checked by	Prepared by
SUPPLIER APPROVED BY		
Approved by	Checked by	Prepared by
		

Record of version changes				
Date	Content of Change	Version	Change	Prepared
2023. 12. 09	First sample seal	Ver.1		Zhou

1. Index

Serial No.	Content	Page
-	Cover	1
-	Change Records	2
1	List of items	3
2	Test Equipment & Conditions	4
3	Mechanical instruction	5
4	S11	7
5	Gain & Efficiency& 3D Pattern	8
6	Packaging	9

2. Test Equipment & Conditions

2.1. Network Analyzers : KEYSIGHT P5002A

2.2. Communications Test Set: R&S CMW 500

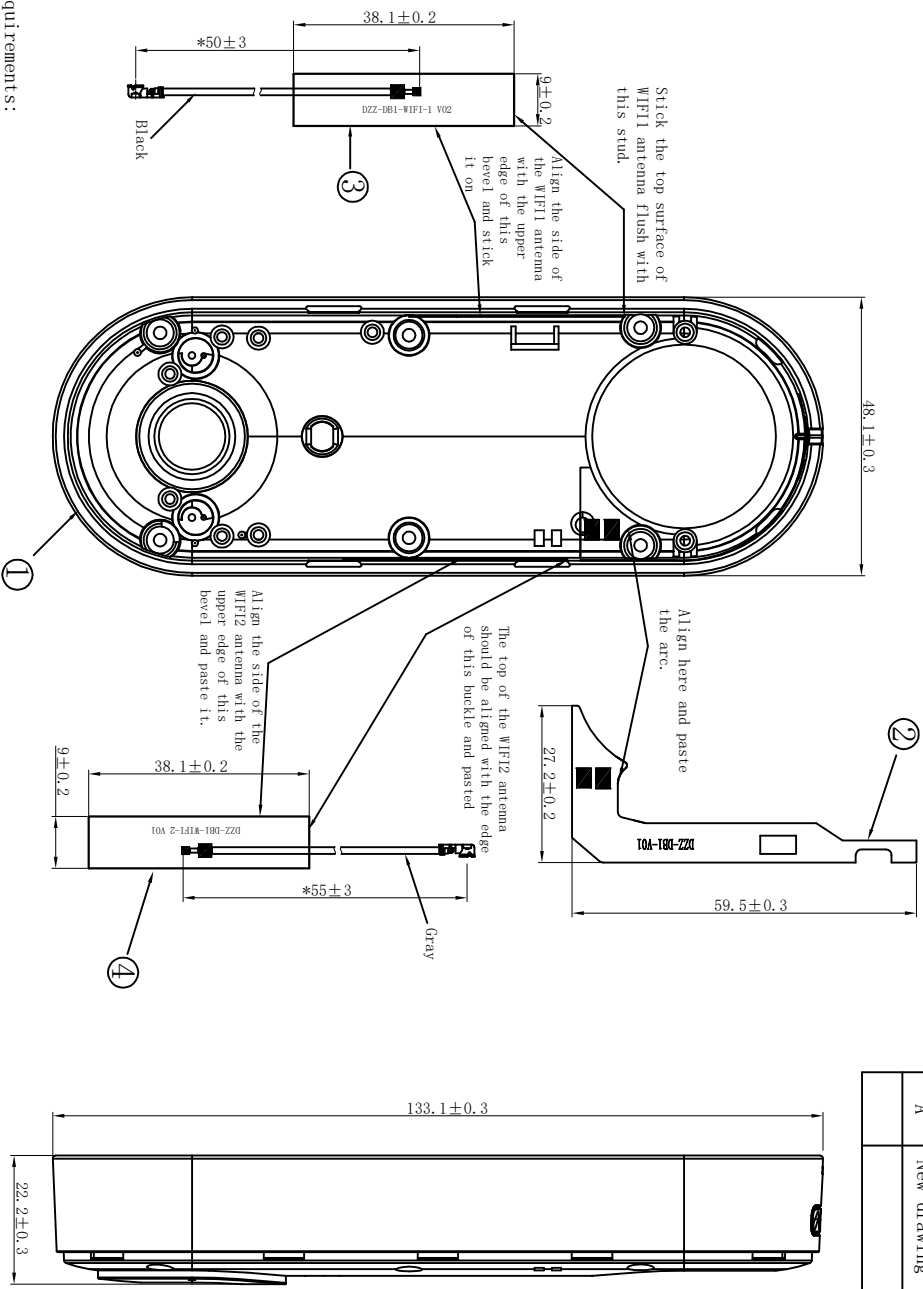
2.3. 3D Chamber Test System: 64 Probe Test system



3. Mechanical instruction



Rev	Description	Date	Remark
A	New drawing		



- Technical requirements:
1. The size marked with "*" is the key controlled size;
 2. According to the drawing without dimensions indicated;
 3. Smooth fitting without obvious wrinkles;
 4. All components must comply with Rohs requirements;
 5. The finished product needs to be fully inspected for performance.

No.	Part No.	Name	Specification	Amount	Remark
1					
4		WiFi2 antenna	PI,Black, ø0.81 Cable,Second generation terminals	1	
3		WiFi1 antenna	PI,Black, ø0.81 Cable,Second generation terminals	1	
2		868/915 antenna	PI, Black	1	
1		housing	ABS, White	1	

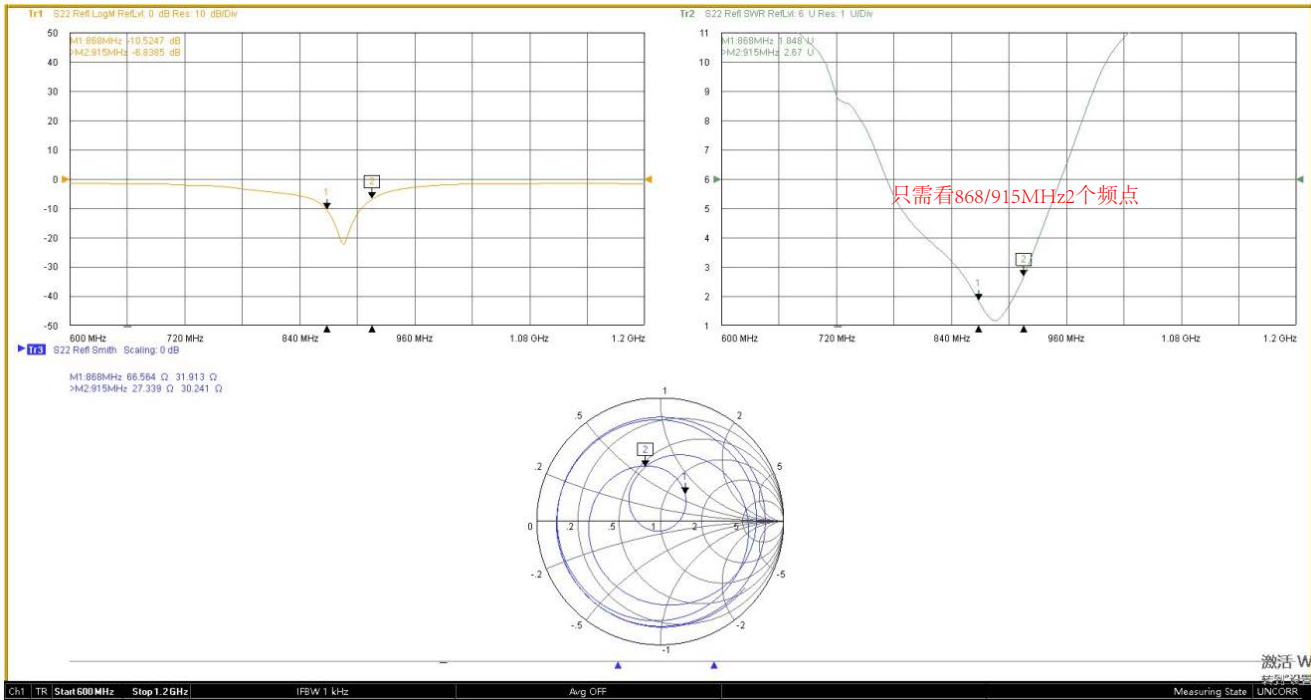
Be-Comfortable
自在

SHEN ZHEN BE-COMFORTABLE CO., LTD

Third Angle	Project	DBI 白色	Date	2023-12-07
0~10	±0.05	○	0.02	
10~18	±0.10	◎	ø0.03	
18~30	±0.12	⊥	0.02	
30~40	±0.15	∇	0.04	
40~	±0.20	Angle	±0.5°	

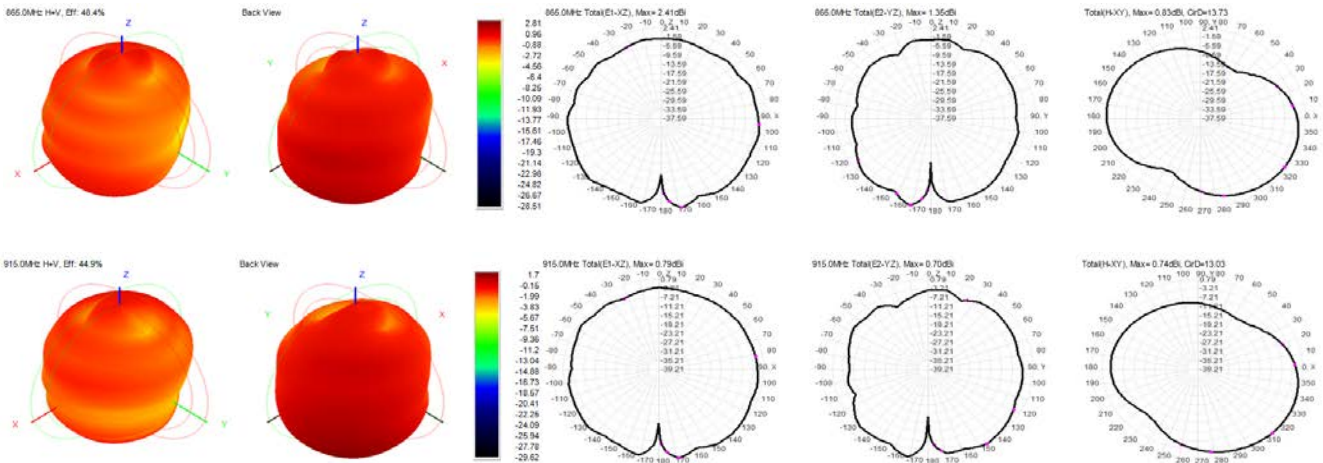
Part Name	PPC combined antenna	Designed by	Li Chongfang
Part No.	N0Z-1886-R0A	Checked by	RF PG Zhou Hongliang
Material	/	Approved by	
DWG No.		Unit	mm
Location		Scale	1:1
		Rev	A

4. S11-868-915MHZ on whole machine Antenna standing wave less than 3.5



5. Gain & Efficiency & 3D Pattern

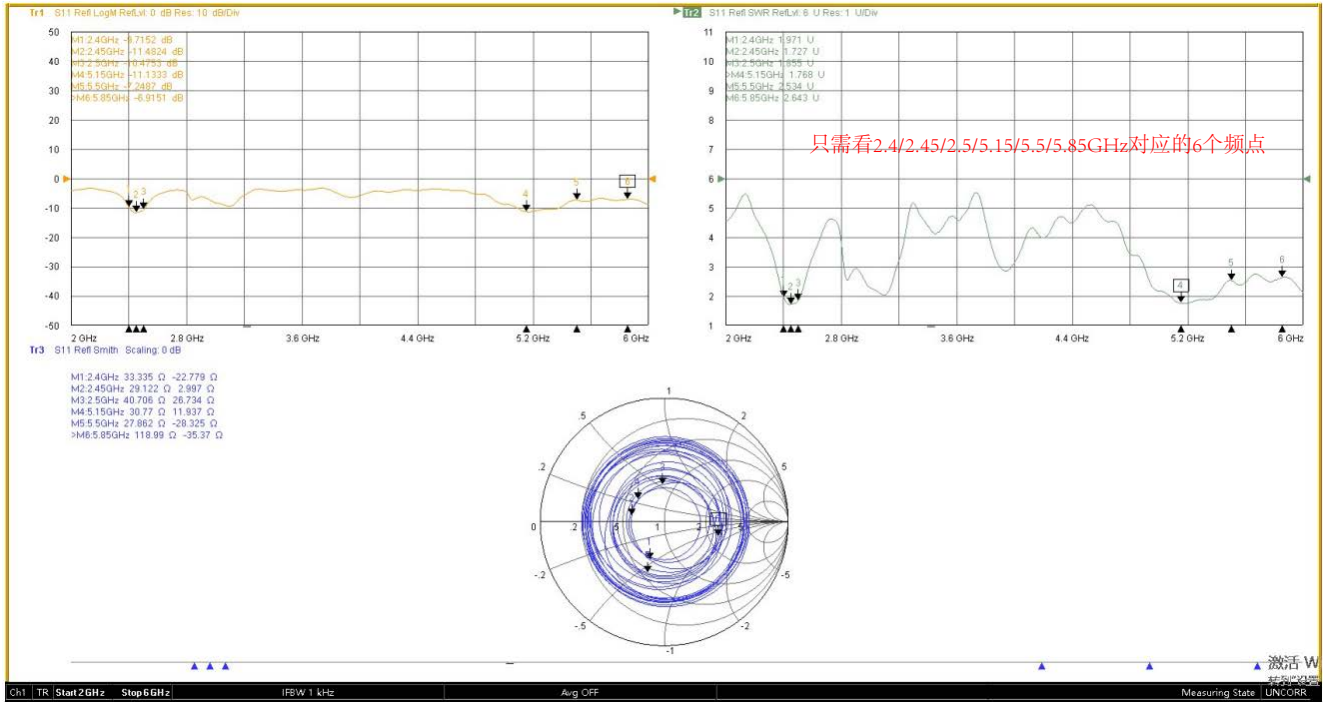
Frequency (MHz)	865	870	875	880	885	890	895	900	905	910	915
Gain (dBi)	2.81	2.86	2.90	2.66	2.12	2.58	2.58	2.23	1.82	1.63	1.70
Efficiency (%)	48.44	48.16	48.84	49.51	48.50	48.21	47.02	46.49	45.44	45.20	44.86



S11-868-915MHZ Photos

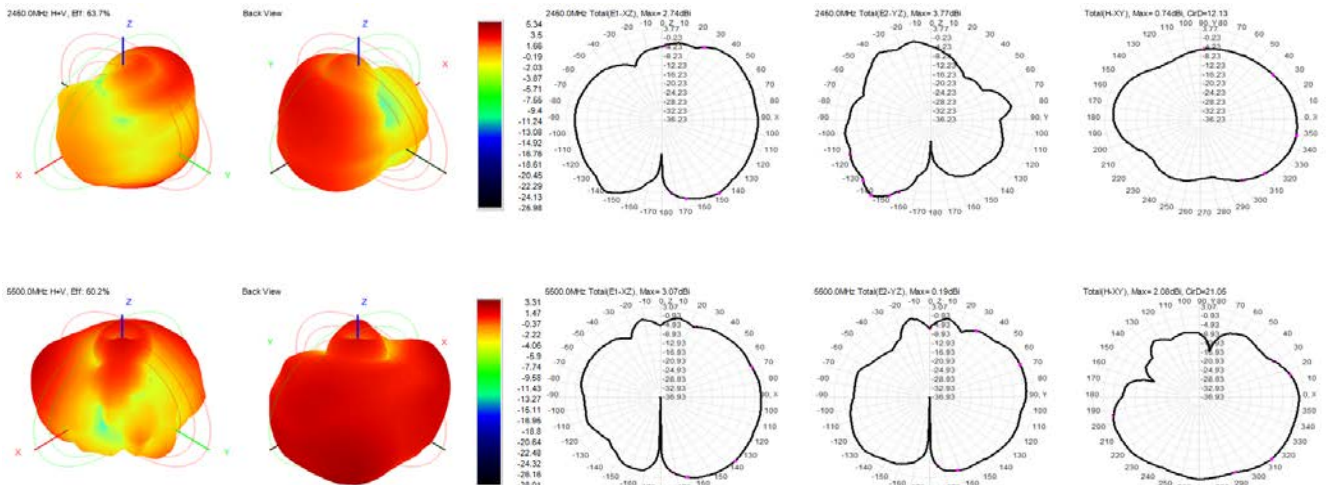


4. S11-WIFI-1:In whole machine Antenna standing wave less than 3.0

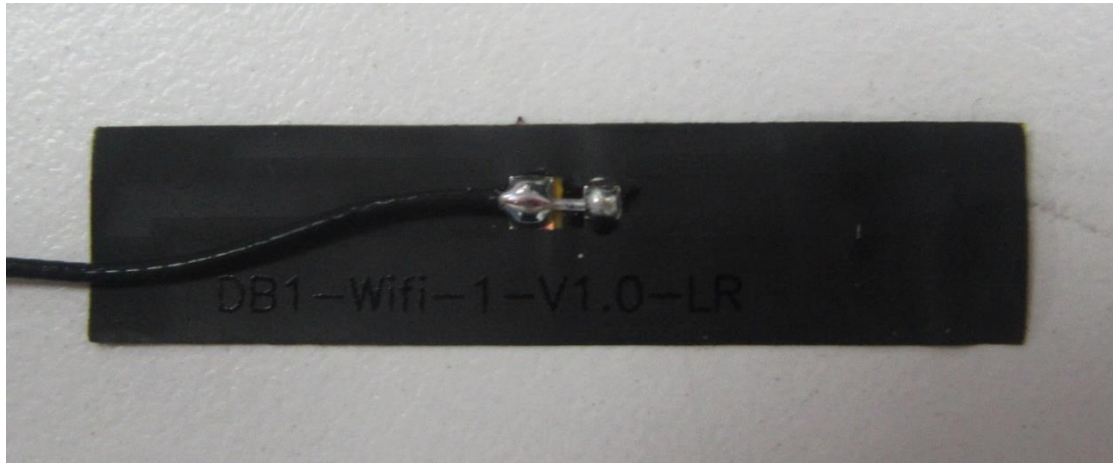


5. Gain & Efficiency & 3D Pattern

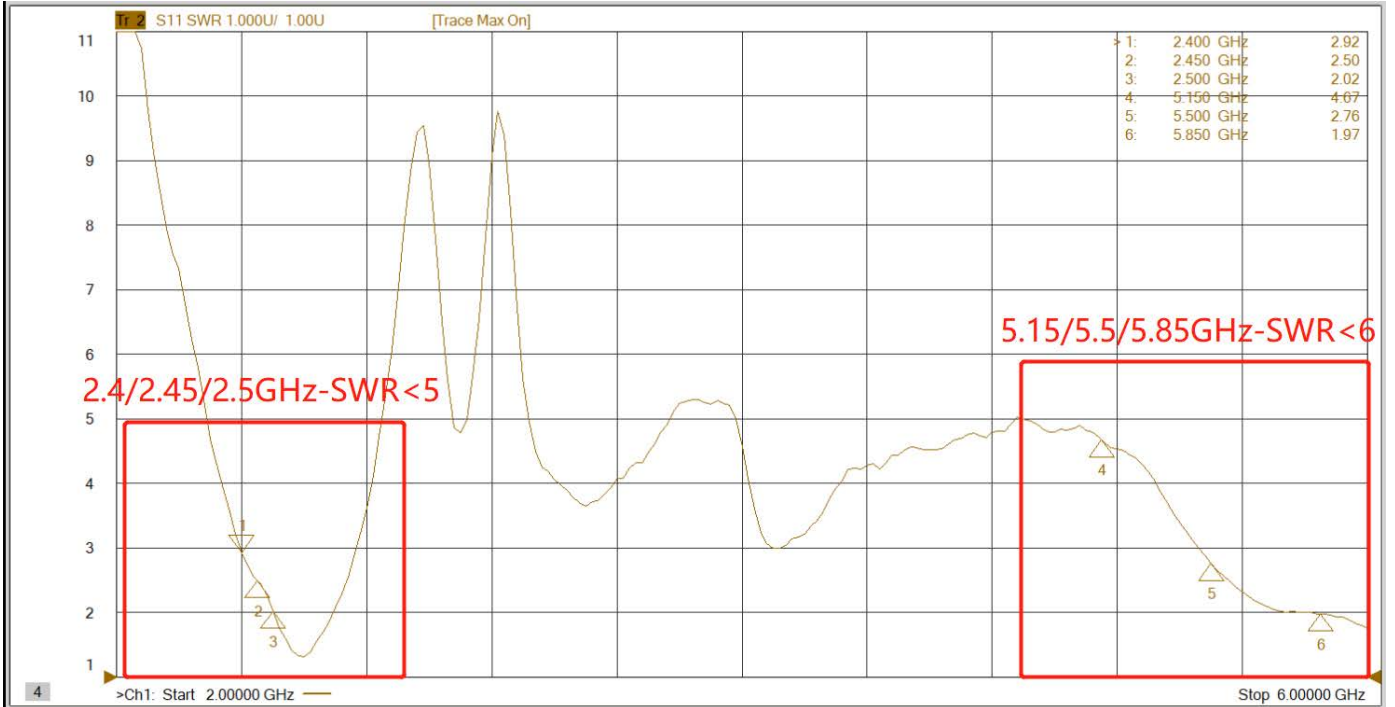
Frequency (MHz)	2400	2410	2420	2430	2440	2450	2460	2470	2480	2490	2500				
Gain (dBi)	4.94	4.92	4.99	5.17	5.24	5.34	5.45	5.56	5.62	5.51	5.76				
Efficiency (%)	53.78	55.20	55.47	55.95	53.97	53.73	54.44	55.44	56.05	53.93	52.75				
Frequency (MHz)	5150	5200	5250	5300	5350	5400	5450	5500	5550	5600	5650	5700	5750	5800	5850
Gain (dBi)	3.68	4.29	4.59	4.53	4.34	4.23	3.62	3.31	3.08	2.77	3.15	3.57	3.93	3.83	3.80
Efficiency (%)	51.01	54.65	56.84	59.25	61.28	63.05	61.41	60.21	59.20	58.19	60.94	62.49	64.23	64.69	65.10



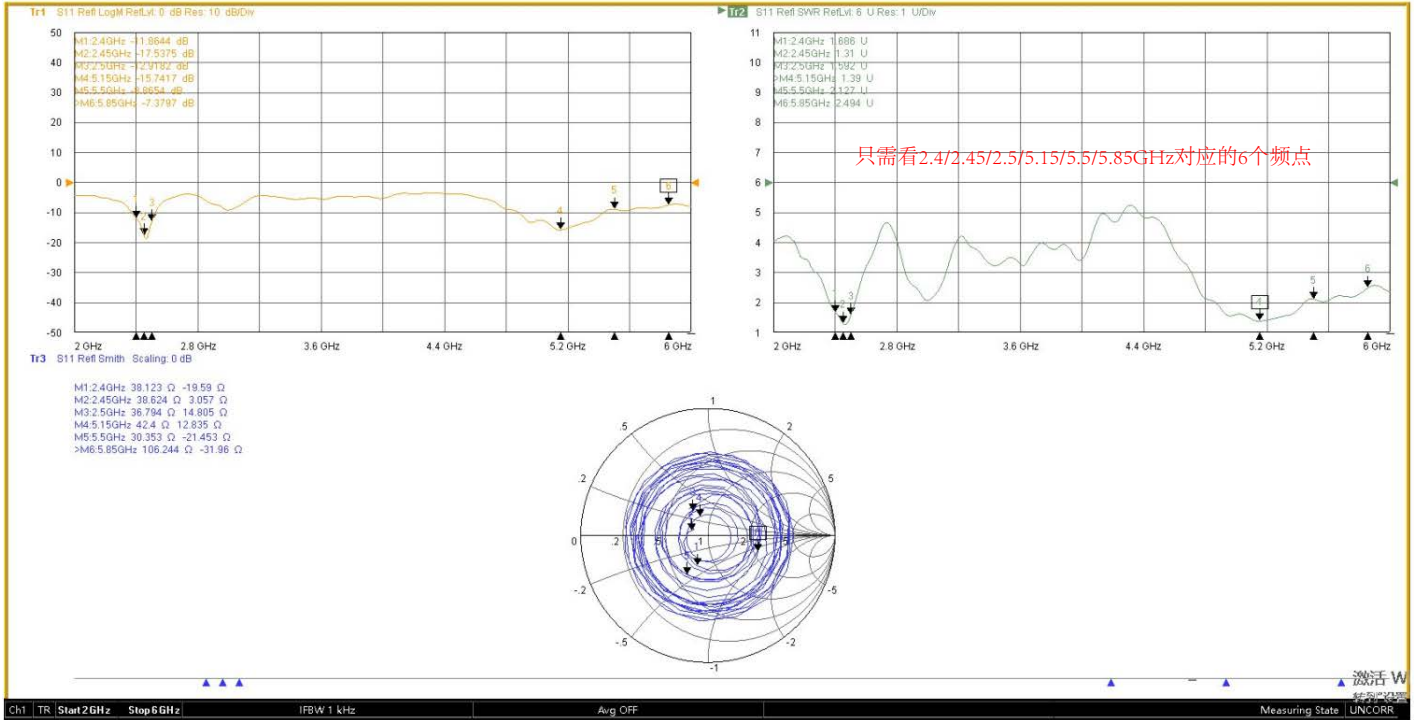
S11-WIFI-1 Photos



4. S11-WIFI-1:In shell only

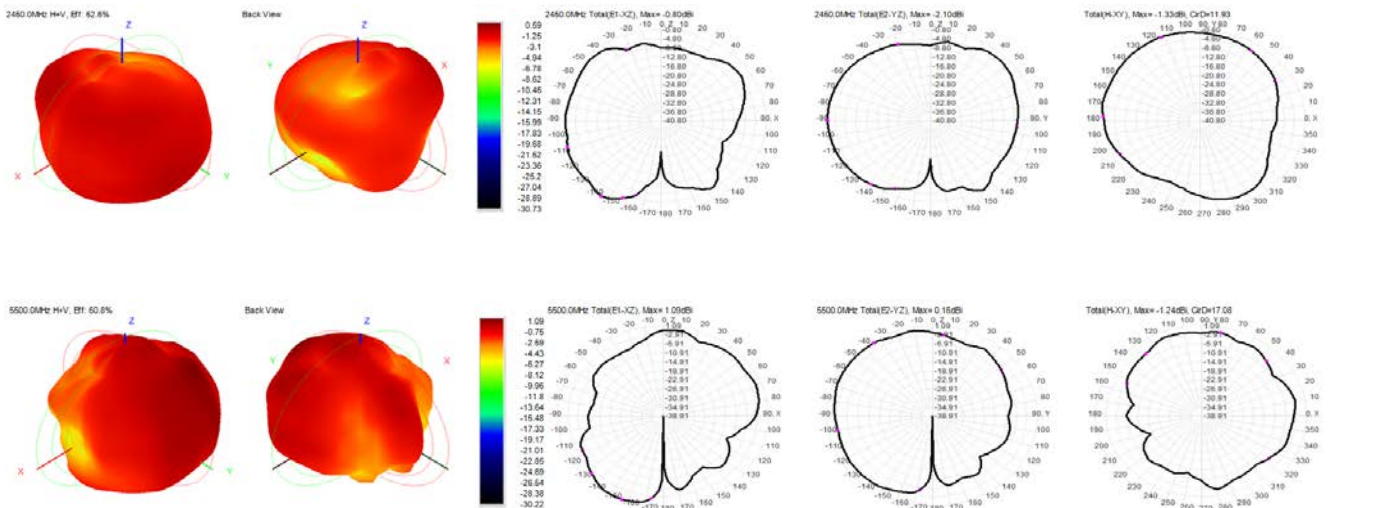


4. S11-WIFI-2:In whole machine Antenna standing wave less than 3.0



5. Gain & Efficiency & 3D Pattern

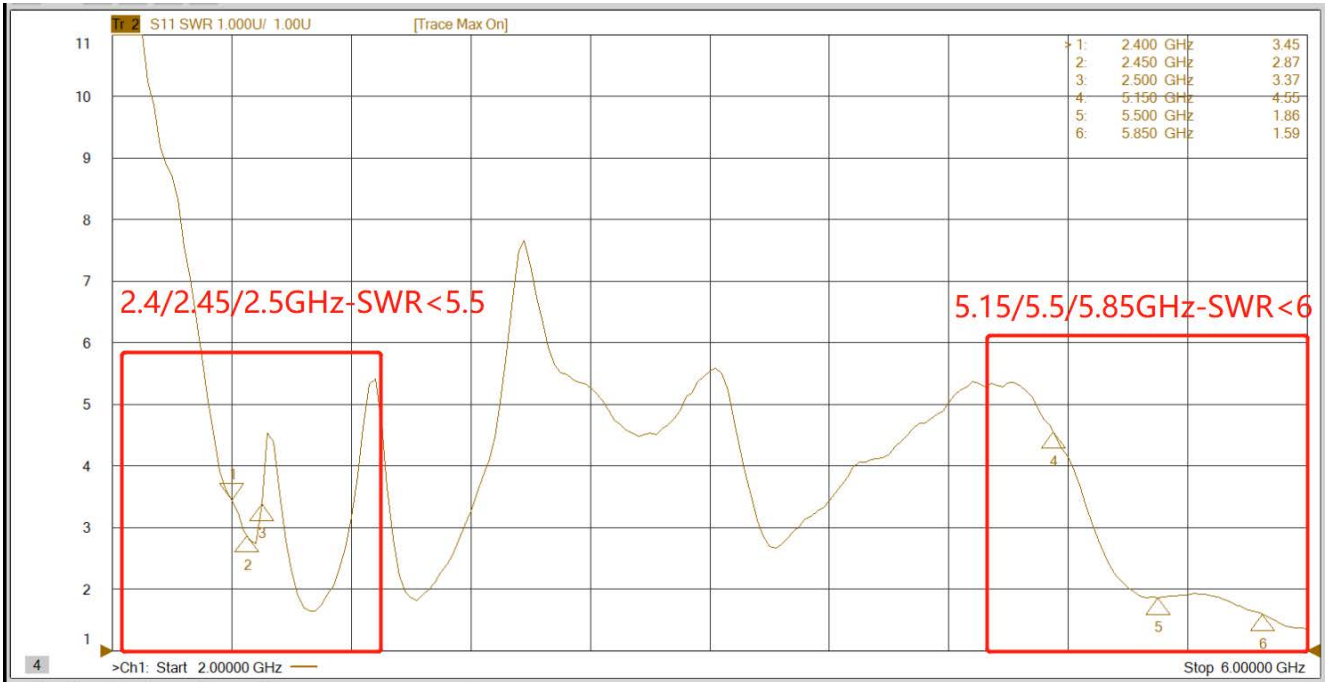
Frequency (MHz)	2400	2410	2420	2430	2440	2450	2460	2470	2480	2490	2500				
Gain (dBi)	1.17	1.08	0.90	0.68	0.69	0.59	0.49	0.20	0.35	0.60	0.76				
Efficiency (%)	50.46	52.95	53.45	54.07	52.84	52.60	54.43	57.39	58.11	55.47	53.59				
Frequency (MHz)	5150	5200	5250	5300	5350	5400	5450	5500	5550	5600	5650	5700	5750	5800	5850
Gain (dBi)	2.90	2.71	2.74	2.32	1.38	1.20	0.73	1.09	1.55	2.11	2.08	1.88	1.49	1.34	0.56
Efficiency (%)	57.30	57.36	59.82	60.33	58.30	56.15	55.63	60.80	58.68	57.93	56.33	56.35	58.05	63.18	62.07



S11-WIFI-2 Photos

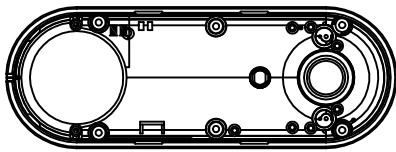


4. S11-WIFI-2:In shell only

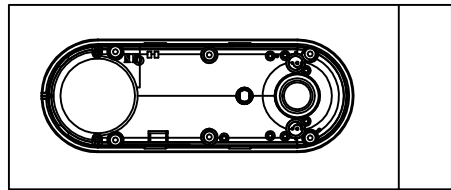


Name: FPC combined antenna	Version: A
	Customer: Reolink

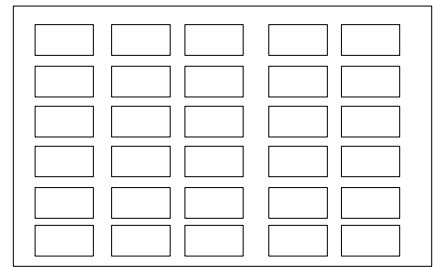
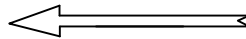
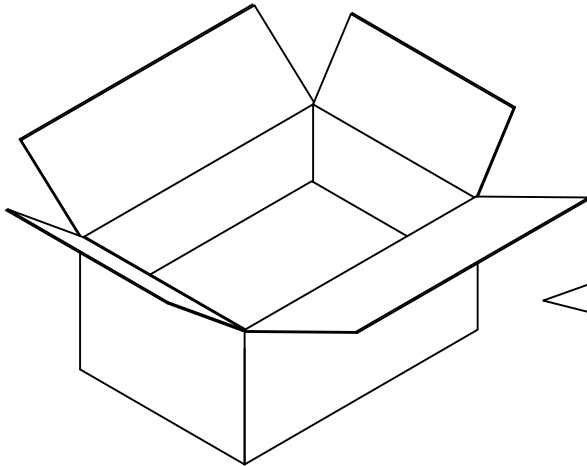
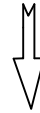
1. Antenna



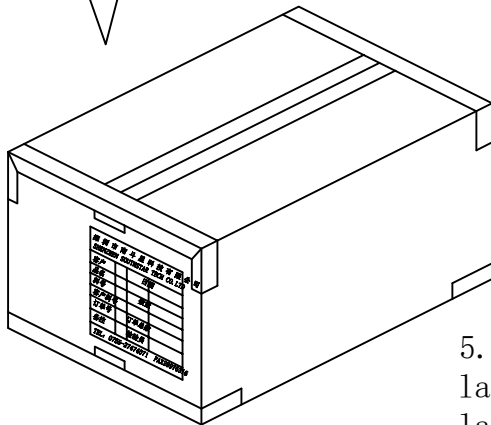
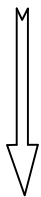
2. Bagged separately into PE bags;



3. Put one blister box in each small bag;



4. Packing, with each layer separated;



5. Sealing the box; The outer box is labeled with our company's production label and ROHS label.

Approval: _____

Confirm: _____

Fiction: Li Chongfang