

# 规格承书

## SPECIFICATION FOR APPROVAL

客户 Customer	百川
项目名称 Project Name	C10
客户料号 Customer NO.	
规格 specification	2.4G/5.8G wifi天线
供方料号 Supplier NO.	N12-6760-ROA
规格书编号 Specification NO.	
编写人 Write by	张明超
版本 REV.	Ver.1
日期 Date	2020/12/2
备注 Note	

客户确认 CUSTOMER APPROVED BY		
批准 Approved by	审核 Checked by	制表 Prepared by
供方确认 SUPPLIER APPROVED BY		
批准 Approved by	审核 Checked by	制表 Prepared by

## 2. 试验设备和条件(Test Equipment & Conditions)

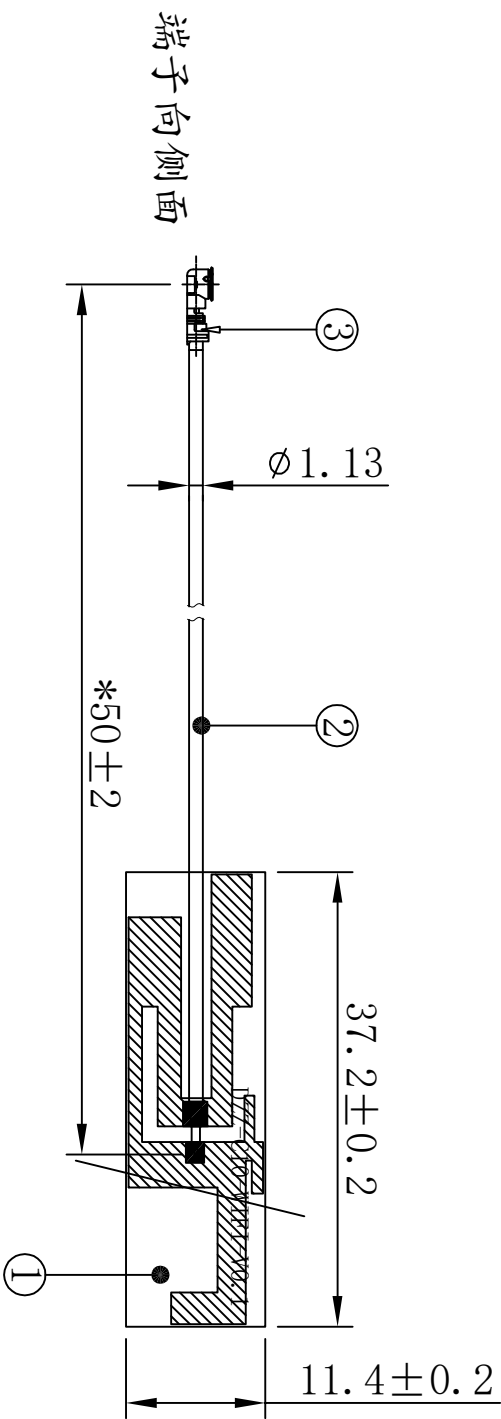
2.1. Network Analyzers : KEYSIGHT P5002A

2.2. Communications Test Set: R&S CMW 500

2.3. 3D Chamber Test System: 64探头测试系统



Rev	Description	Date	Remark
A	New drawing		



端子向侧面

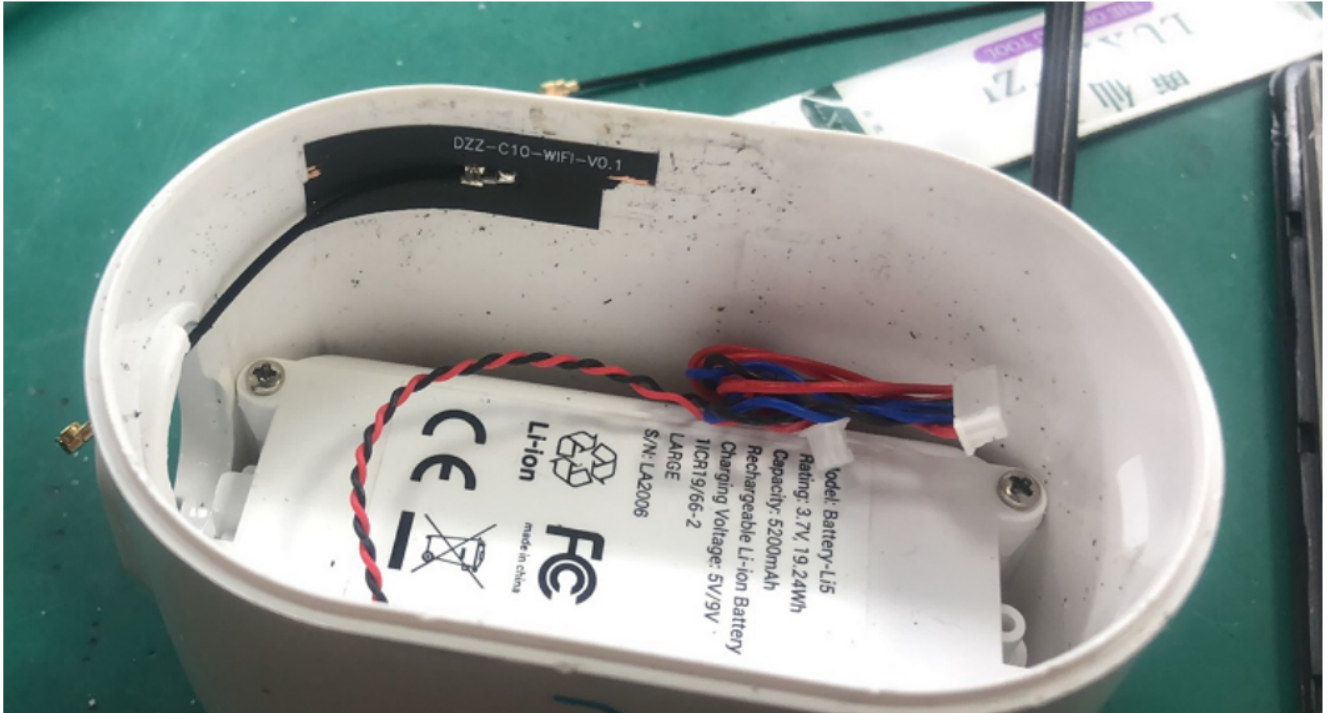
- 技术要求:
1. 标“\*”尺寸为重点管控尺寸;
  2. 未标注尺寸依照图纸;
  3. 无虚焊、假焊、连锡、短路、断路等焊接不良现象;
  4. 所有部件需符合RoHS要求;
  5. 成品需全检性能。

No.	Part No.	Name	Specification	Amount	Remark
3		端子	1代	1	
2		同轴线	1.13同轴线 黑色	1	
1		FPC	PI电铜单面板 黑色	1	

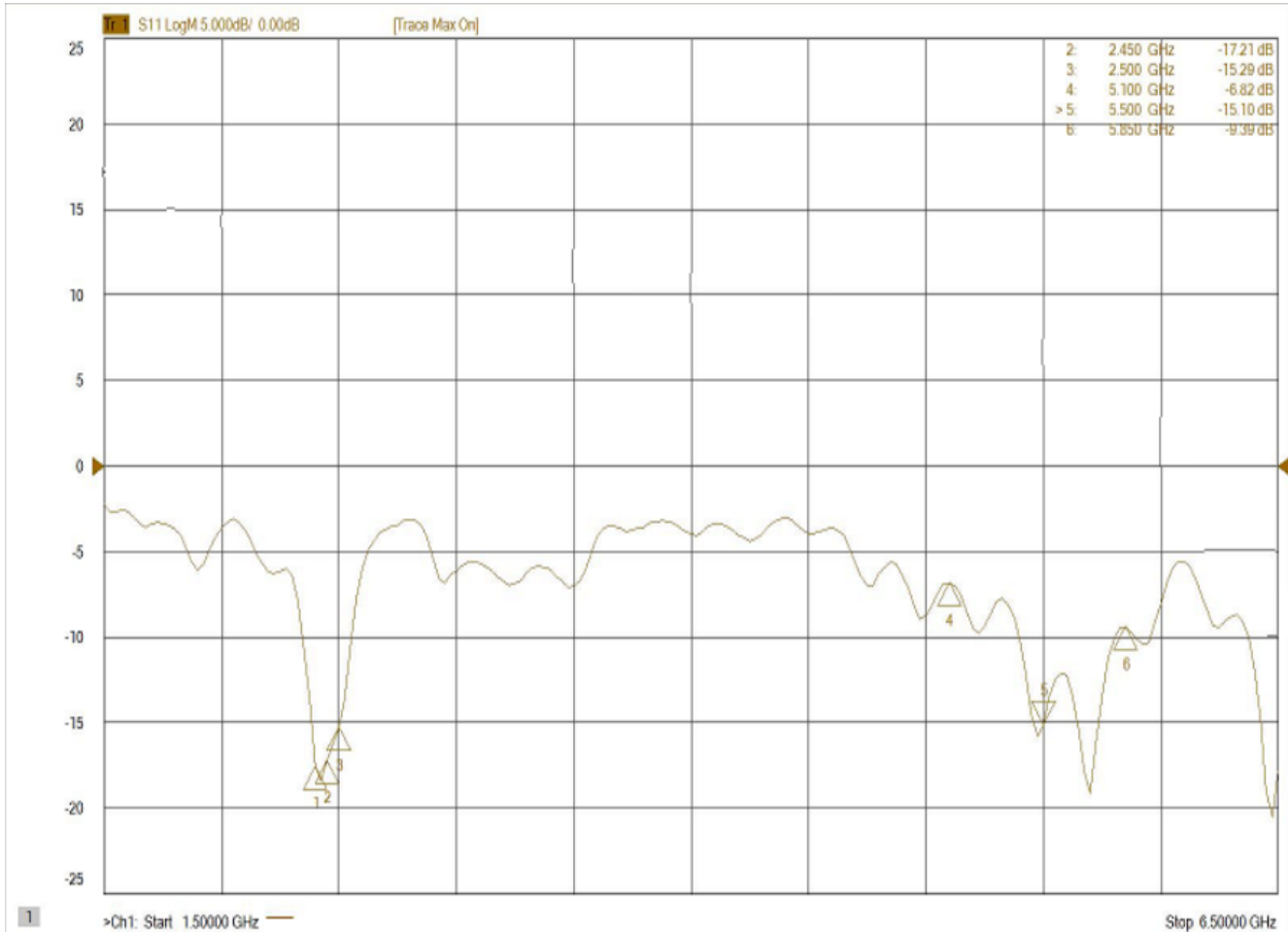
Third Angle		<b>Be-Comfortable</b> 得自在		深圳市得自在科技有限公司 SHEN ZHEN BE-COMFORTABLE CO., LTD	
Project	CI0	Date	2020-10-27		
Part Name	WiFi 天线	Designed by	吴德秋		
Part No.	N12-6760-R0A	Checked by	RF 张明超		
Material	/	PE			
DWG No.	N12-6760-R0A	Approved by			
Location	40~	Angle	±0.5°	Unit	mm
	±0.20			Scale	1:1

5	6	7	8
---	---	---	---

### 3. 样机结构说明件(Mechanical instruction)



## 4. VSWR

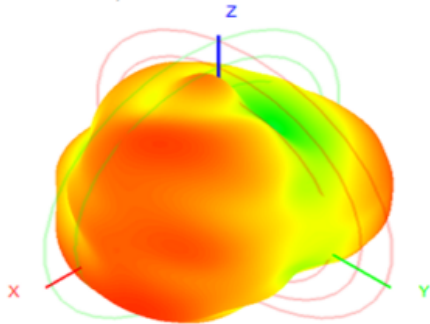


## 5. 增益/效率/3D图(Gain & Efficiency & 3D Pattern)

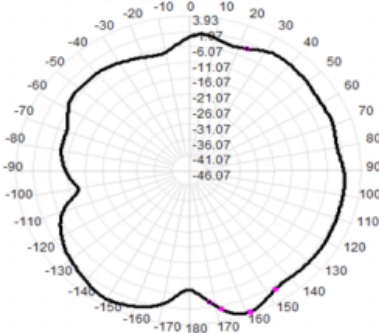
Frequency ID	1	2	3	4	5	6	7	8	9	10	11					
Frequency (MHz)	2400.0	2410.0	2420.0	2430.0	2440.0	2450.0	2460.0	2470.0	2480.0	2490.0	2500.0					
Efficiency (dBi)	-2.23	-2.22	-2.24	-2.25	-2.31	-2.32	-2.31	-2.27	-2.26	-2.24	-2.37					
Gain (dBi)	3.35	3.49	3.61	3.74	3.88	4.04	4.11	4.04	3.65	3.48	3.45					
Efficiency (%)	59.82	59.96	59.76	59.60	58.75	58.57	58.81	59.27	59.37	59.75	57.91					
Frequency ID	1	2	3	4	5	6	7	8	9	10	11	12	13	14	15	16
Frequency (MHz)	2500.0	5150.0	5200.0	5250.0	5300.0	5350.0	5400.0	5450.0	5500.0	5550.0	5600.0	5650.0	5700.0	5750.0	5800.0	5850.0
Efficiency (dBi)	-2.37	-2.67	-2.84	-2.66	-2.81	-2.70	-2.47	-2.46	-2.35	-2.26	-2.14	-2.06	-2.01	-2.11	-2.04	-2.00
Gain (dBi)	3.45	4.35	3.88	3.77	3.14	2.43	2.68	2.24	2.32	2.20	2.29	2.37	2.42	2.60	2.86	2.83
Efficiency (%)	57.91	54.05	51.97	54.21	52.33	53.71	56.60	56.79	58.27	59.45	61.07	62.25	63.02	61.56	62.46	63.17

### 3D / 2D

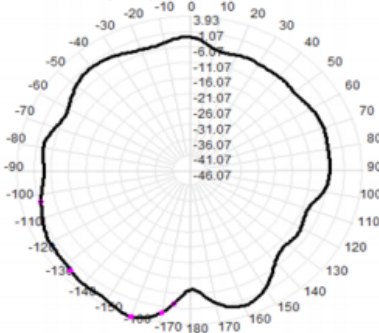
2450.0MHz H+V, Eff: 58.6%



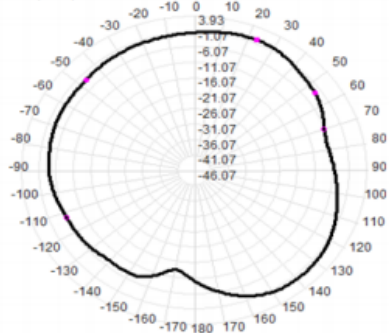
2450.0MHz Total(E1-XZ), Max= 2.83dBi



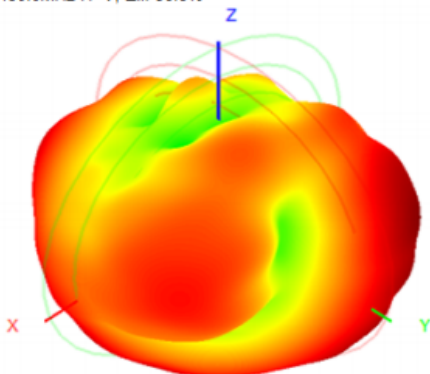
2450.0MHz Total(E2-YZ), Max= 3.93dBi



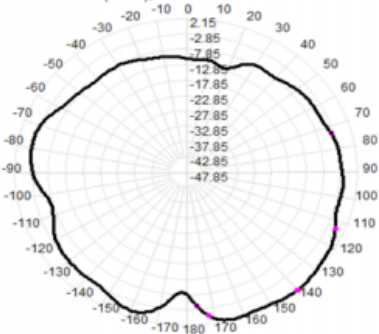
Total(H-XY), Max= -0.17dBi, CirD=13.56



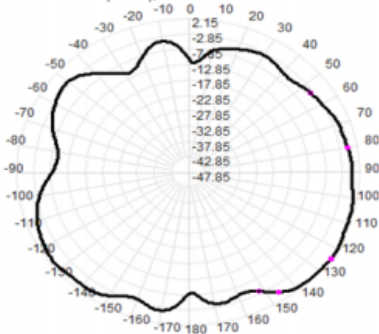
5450.0MHz H+V, Eff: 56.8%



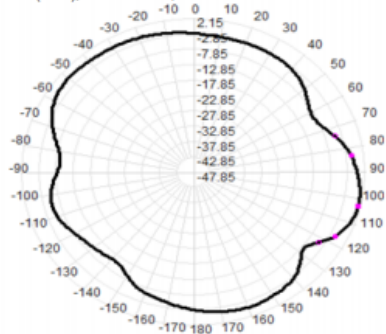
5450.0MHz Total(E1-XZ), Max= 2.15dBi



5450.0MHz Total(E2-YZ), Max= 2.15dBi

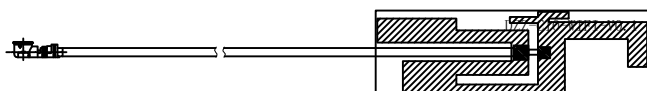


Total(H-XY), Max= 1.16dBi, CirD=12.40



成品名称 : C10 天线	版本: A
	客户: 百川

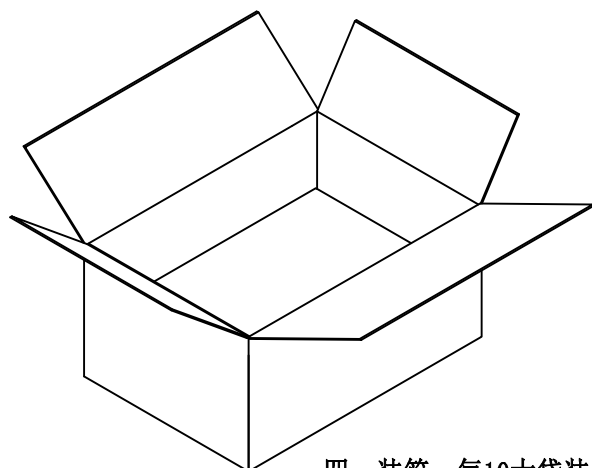
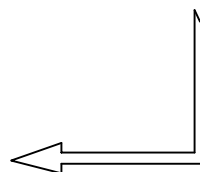
一: 成品天线



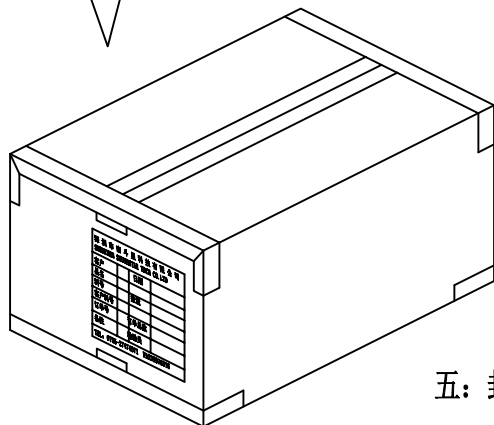
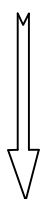
二: 装袋, 每PE袋装50PCS产品,  
(以实际包装为准)。



三: 装袋, 每大PE袋装10小袋。  
左右分开包装。



四: 装箱, 每10大袋装一箱,  
一箱共5000PCS产品(以实际包装为准)。



五: 封箱, 外箱贴我司生产标签和ROHS标签。

批准: \_\_\_\_\_

确认: \_\_\_\_\_

拟制: 吴德秋