

## SPECIFICATION FOR APPROVAL

<b>CUSTOMER :</b>	睿睿联联
<b>PART NAME :</b>	SD7-WIFI7
<b>PART NO. :</b>	
<b>DZZ NO. :</b>	<b>N12-8254-ROAB</b>
<b>REV. :</b>	

	<b>MANUFACTURERR SIGNATURE</b>	<b>CUSTOMER SIGNATURE</b>
<b>APPROVED BY:</b>		
<b>DATE:</b>		

Shenzhen be-comfortable technology.co.,LTD

深圳市得自在科技有限公司

Address: No.1606,Build C6,HengFeng industrial city,xixiang street,baoan district,Shenzhen

shanghai mengju technology co., LTD

上海市盟钜科技有限公司

103B, Build10, No.198 Zhang Heng Road , Pudong New Area,Shanghai

# CONTENTS

<b>Item</b>	<b>Description</b>	<b>Page</b>
1.	... .. Antenna specification tablebl... ..	1
2.	.....Test report .....	3~ 8
3.	.....drdrawinga.....	9
4.	.....Packaging method.....	10

# Antenna Design for 166

<b>Document Number</b>	<b>DZZ-2022/6/106</b>
<b>Released Date</b>	<b>109/66/2022</b>
<b>Author</b>	<b>bBing Zhanging Zhang</b>
<b>Review By</b>	<b>Huiping Feng</b>



# 1. Antennas' setup and environment With housing

Single antenna



Machine environment

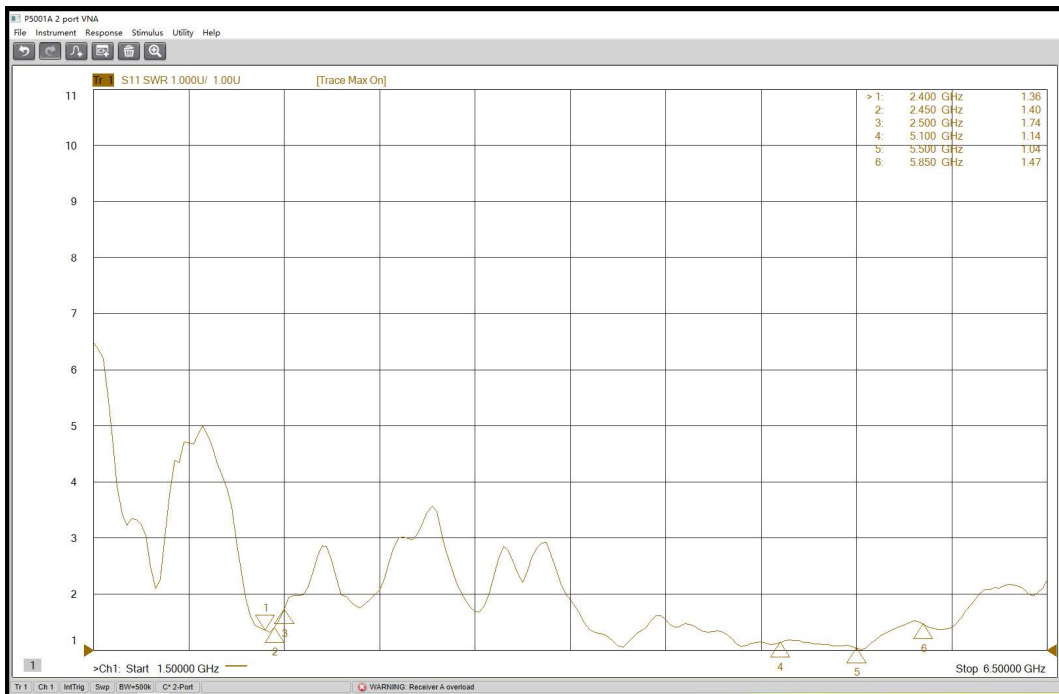


## 2. Analyzer Measurement

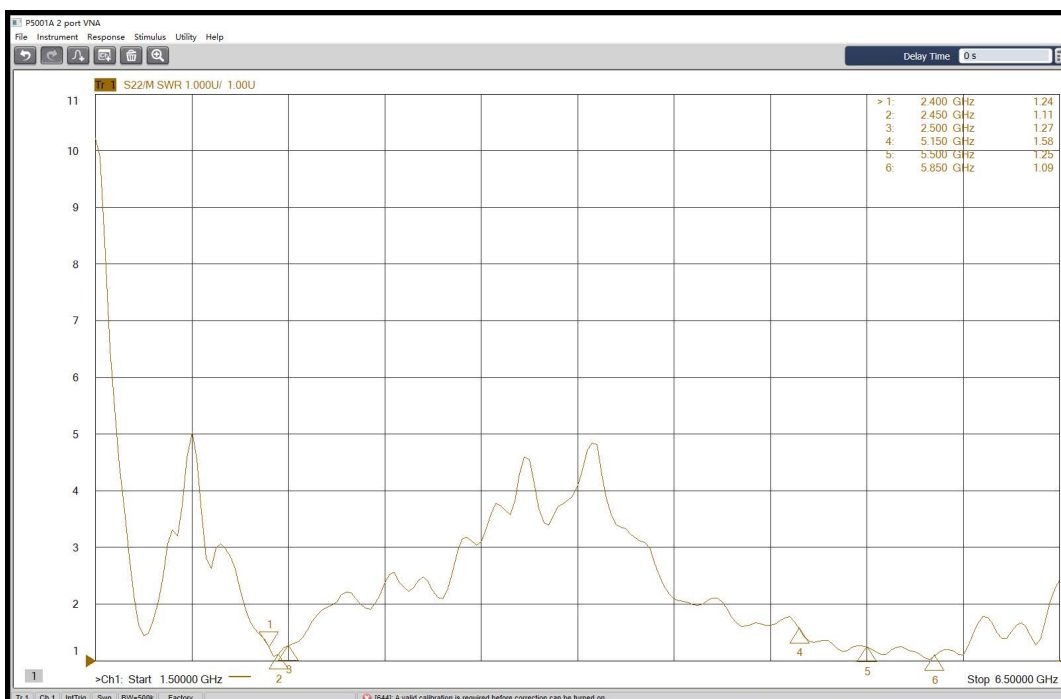
### 2.1 Ant 2.4G/5 WIFI-2 passive

#### test results

Single antenna standing wave less than 2.5



Standing wave of the whole machine is within 2.5



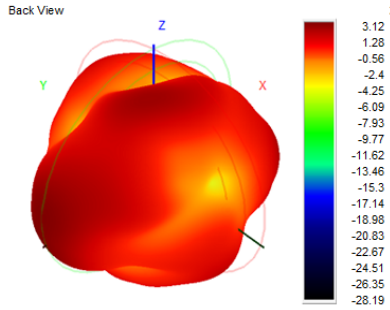
## 2.2 WIFIGain & Efficiency

Frequency ID	1	2	3	4	5	6	7	8	9	10	11
Frequency (MHz)	2400.0	2410.0	2420.0	2430.0	2440.0	2450.0	2460.0	2470.0	2480.0	2490.0	2500.0
Gain (dBi)	3.12	3.05	3.01	2.66	2.12	1.80	1.95	2.34	2.64	2.74	2.94
Efficiency (%)	74.71	73.02	71.01	68.74	66.16	64.54	64.47	67.78	71.50	71.97	73.73

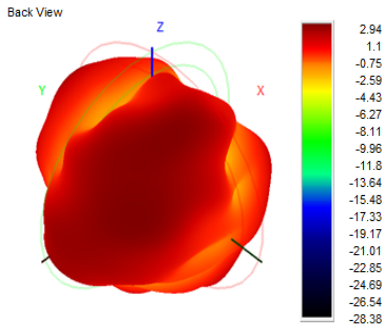
12	13	14	15	16	17	18	19	20	21	22	23	24	25	26
5150.0	5200.0	5250.0	5300.0	5350.0	5400.0	5450.0	5500.0	5550.0	5600.0	5650.0	5700.0	5750.0	5800.0	5850.0
3.66	3.56	3.75	4.50	4.12	3.94	3.61	3.07	3.01	3.32	3.37	3.78	3.89	4.20	4.29
65.91	62.76	65.14	65.17	67.59	67.51	65.64	67.33	68.06	68.19	69.62	72.05	72.04	73.79	74.13

## 3D Pattern @2400-2500/5150-5850MHZ

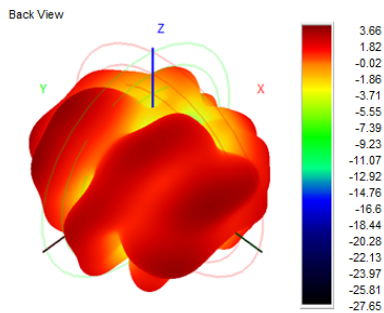
### 2400MHZ



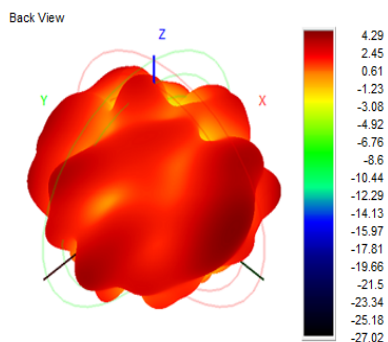
### 2500MHZ



### 5150MHZ

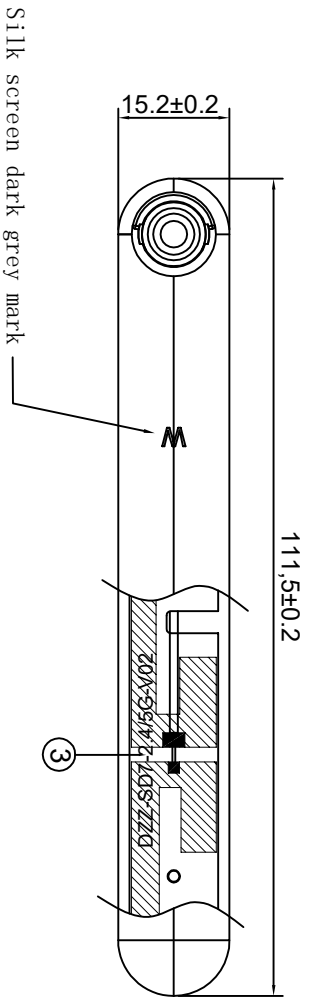
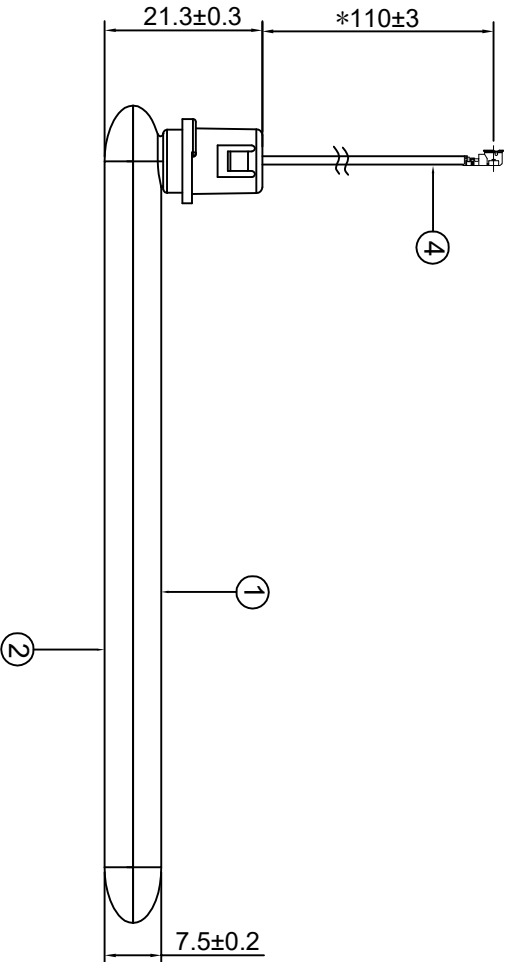


### 5850MHZ





Rev	Description	Date	Remark
A	New drawing		



- Specification:
1. Dimensions marked with "\*" are key control dimensions;
  2. No short circuit, open circuit and other welding defects ;
  3. All parts shall comply with ROHS requirements;
  4. Performance of finished products shall be fully inspected 。

No.	Part No.	Name	Specification	Amount	Remark
4		Coaxial Cable	RF1.13 Black+IPEX-1	1	
3		PCB	FR4 0.8MM Green	1	
2		Lower shell	White	1	
1		Upper shell	White	1	

**Be-Comfortable**  
 得自在  
 深圳市得自在科技有限公司  
 SHEN ZHEN BE-COMFORTABLE CO., LTD

Third Angle	Project	SD7	Date	2022-05-31
-------------	---------	-----	------	------------

0~10 ±0.05	0.02	Part Name	WiFi 天线	Designed by	赵同延
------------	------	-----------	---------	-------------	-----

10~18 ±0.10	∅0.03	Part No.	N12-8254-R0A	Checked by	RF 张斌
-------------	-------	----------	--------------	------------	-------

18~30 ±0.12	0.02	Material	/	Approved by	PE
-------------	------	----------	---	-------------	----

30~40 ±0.15	0.04	DWG No.		Unit	mm
-------------	------	---------	--	------	----

40~ ±0.20	Angle ±0.5°	Scale	1:1	Rev	A
-----------	-------------	-------	-----	-----	---

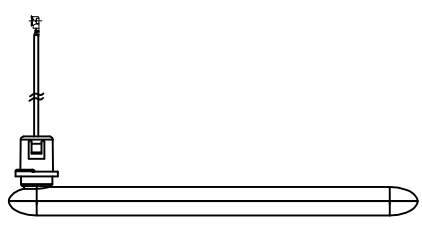
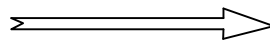
# Product packaging specification

DATE: 2022-05-24

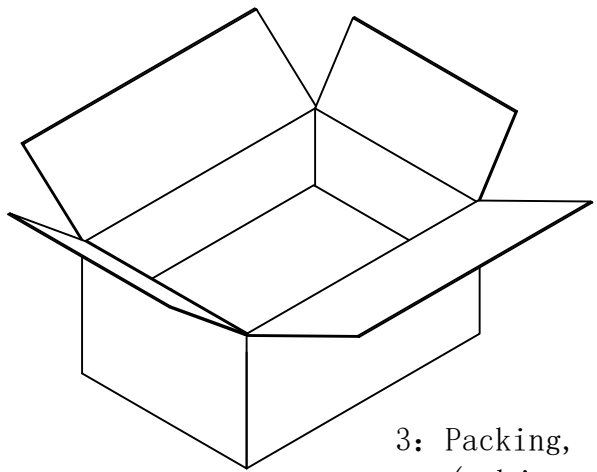
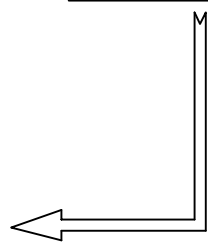
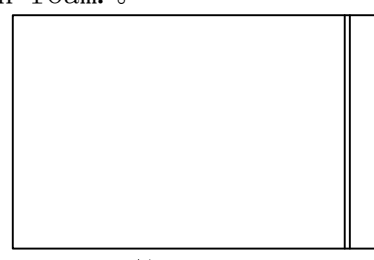
page: 1 of 1

Products Name :SD7-WIFI天线	Version: A
	Customer: 睿联

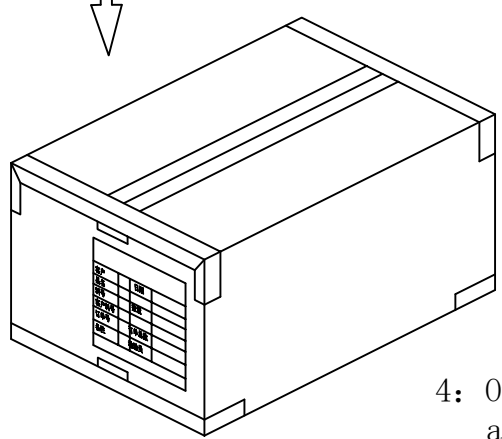
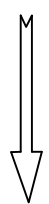
1: Antenna products



2: Bagging, each PE bag contains 50pcs of products  
The terminal shall be wrapped with foam.。



3: Packing, 12 bags per box, 600 PCs in total  
(subject to the actual packaging).



4: Our production label and RoHS label  
are pasted on the outer case.

Approved: \_\_\_\_\_

Checked: \_\_\_\_\_

Designed: 赵同廷

由 Autodesk 教育版产品制作

由 Autodesk 教育版产品制作