

# Quick Start Guide

## Content

What's in the Box	2
Camera Introduction	3
Connection Diagram	7
Set up the Camera	8
Mount the Camera	9
Troubleshooting	11
Specification	12
Notification of Compliance	13

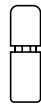
## What's in the Box



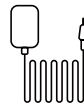
Camera



Antenna \*



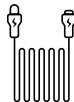
Waterproof Lid



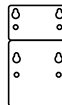
Power Adapter \*



1M  
Ethernet Cable



4.5M Power \*  
Extension Cable



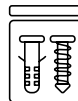
Mounting Hole  
Template



Surveillance Sign



Quick Start Guide



Pack of Screws

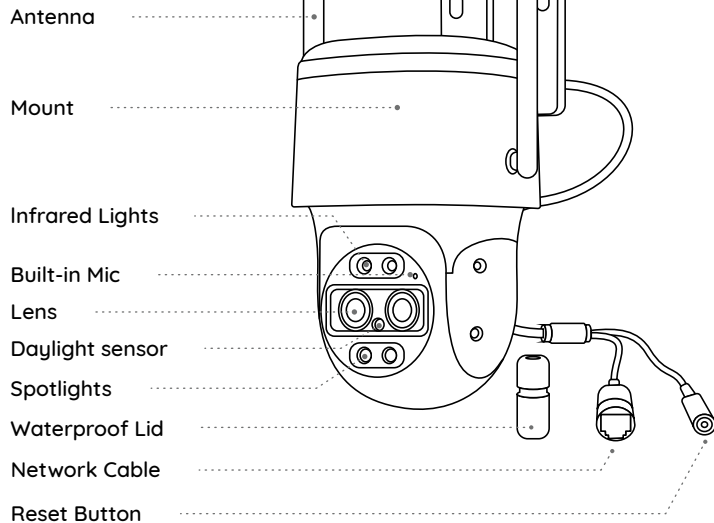
### NOTE:

\* The power adapter, antennas and 4.5m power extension cable only come with WiFi camera.

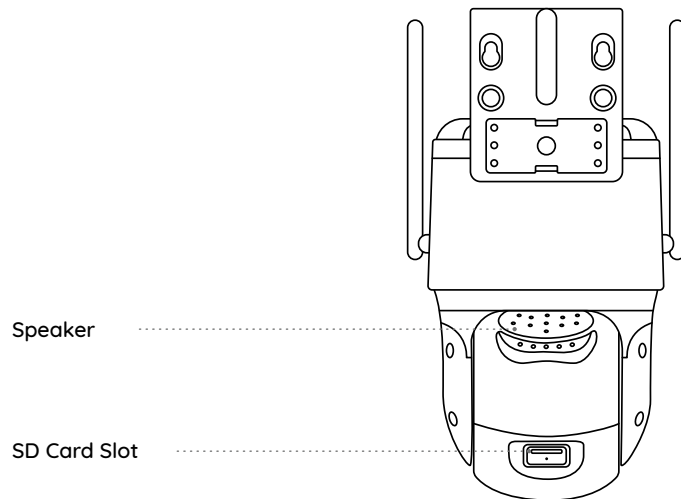
\* Quantity of accessories varies with the camera model you purchase.

# Camera Introduction

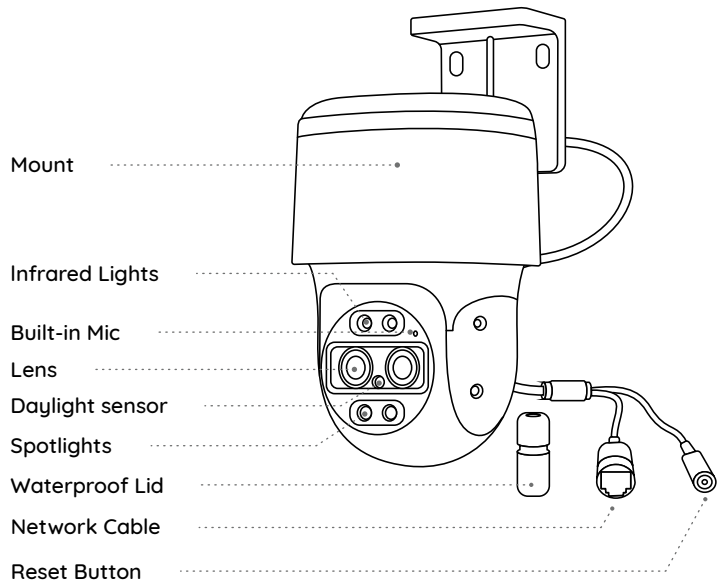
## WiFi Camera



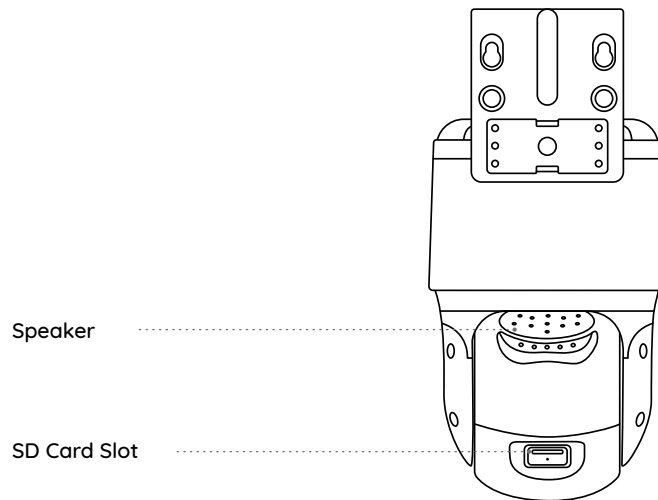
\* Press for about 10 seconds to restore the device to factory settings.



## PoE Camera



\* Press for about 10 seconds to restore the device to factory settings.

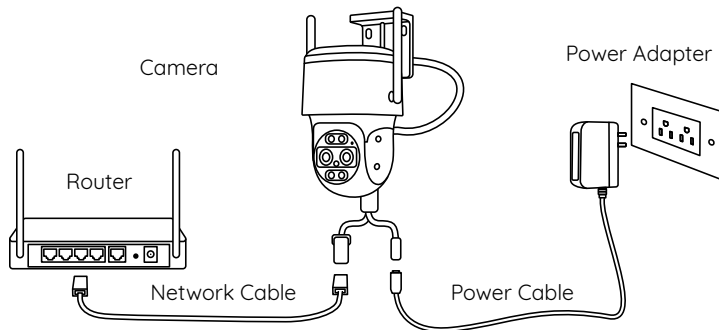


## Connection Diagram

Before initial setup, follow the steps below to connect your camera.

1. Connect the camera to a LAN port on your router with an Ethernet cable.
2. Use the power adapter to power on the camera.

**NOTE:** The connection diagram takes the WiFi Camera as an example and also apply to the PoE camera. For PoE Camera, please power the camera with a PoE Switch/Injector/Reolink PoE NVR or a DC 12V power adapter. (not included in the package)



## Set up the Camera

Download and launch the Reolink App or Client software, and follow the onscreen instructions to finish initial setup.

### • On Smartphone

Scan to download the Reolink App.



### • On PC

Download path of the Reolink Client: Go to <https://reolink.com> > Support > App & Client.

### **NOTE:**

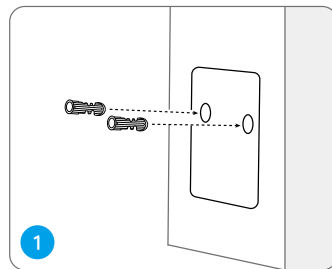
- When setting up the WiFi camera, you need to follow the onscreen instructions to finish the WiFi configuration first.
- If you are connecting the PoE camera to a Reolink PoE NVR, please set up the camera via the NVR interface.

# Mount the Camera

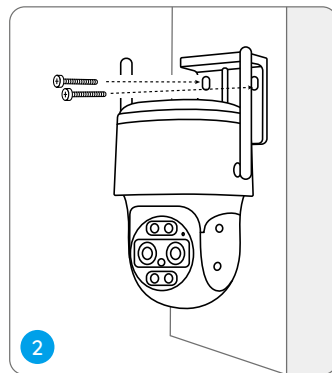
## Installation Tips

- Do not face the camera towards any light sources.
- Do not point the camera towards a glass window. Or, it may result in poor image quality because of the window glare by infrared LEDs, ambient lights or status lights.
- Do not place the camera in a shaded area and point it towards a well-lit area. Or, it may result in poor image quality. To ensure best image quality, the lighting condition for both the camera and the capture object shall be the same.
- To ensure better image quality, it's recommended to clean the dome cover with a soft cloth from time to time.
- Make sure the power ports are not directly exposed to water or moisture and not blocked by dirt or other elements.
- With IP waterproof ratings, the camera can work properly under conditions like rain and snow. However, it doesn't mean the camera can work underwater.
- Do not install the camera at places where rain and snow can hit the lens directly.
- The camera may work in extreme cold conditions as low as -25°C. Because when it is powered on, the camera will produce heat. You may power on the camera indoors for a few minutes before installing it outdoors.

## Install the Camera



Drill holes in accordance with the mounting hole template.



Install the mount base with screws included in the package.

## Troubleshooting

### Camera is not Powering on

If your camera is not powering on, please try the following solutions:

#### For PoE Camera

- Make sure your camera is powered on properly. The PoE camera should be powered by a PoE switch/injector, a Reolink NVR or a 12V power adapter.
- If the camera is connected to a PoE device as listed above, connect it to another PoE port and check again.
- Try again with another Ethernet cable.

#### For WiFi Camera

- Plug the camera into a different outlet and see if it works.
- Power on the camera with another working 12V 2A DC adapter and see if it works.

If these won't work, contact Reolink Support.

### Picture is not Clear

If the picture from the camera is not clear, please try the following solutions:

- Check the camera dome cover for dirt, dust or spiderwebs, please clean the dome cover with a soft, clean cloth.
- Point the camera to a well-lit area, the lighting condition will affect the picture quality a lot.
- Upgrade the firmware of your camera to the latest version.
- Restore the camera to factory settings and check out again.

## Specification

### Hardware Features

Infrared Night Vision: Up to 30 meters(95ft)

Day/Night Mode: Auto switchover

Angle of View: Horizontal: Horizontal: 104°-38°    Vertical: 60°-21°

### General

Dimension:  $\Phi$ 133x100 mm

Weight: 685g

Operating Temperature: -10°C~+55°C (14°F~131°F)

Operating Humidity: 10%~90%

For more specifications, visit <https://reolink.com/>.



#### FCC Statement

Changes or modifications not expressly approved by the party responsible for compliance could void the user's authority to operate the equipment.

This equipment has been tested and found to comply with the limits for a Class B digital device, pursuant to Part 15 of the FCC Rules. These limits are designed to provide reasonable protection against harmful interference in a residential installation. This equipment generates uses and can radiate radio frequency energy and, if not installed and used in accordance with the instructions, may cause harmful interference to radio communications. However, there is no guarantee that interference will not occur in a particular installation. If this equipment does cause harmful interference to radio or television reception, which can be determined by turning the equipment off and on, the user is encouraged to try to correct the interference by one or more of the following measures:

- Reorient or relocate the receiving antenna.
- Increase the separation between the equipment and receiver.
- Connect the equipment into an outlet on a circuit different from that to which the receiver is connected.
- Consult the dealer or an experienced radio/TV technician for help

This device complies with part 15 of the FCC rules. Operation is subject to the following two conditions (1) this device may not cause harmful interference, and (2) this device must accept any interference received, including interference that may cause undesired operation.

This equipment complies with FCC radiation exposure limits set forth for an uncontrolled environment. This equipment should be installed and operated with minimum distance 20cm between the radiator & your body.

## IC statement

This device contains licence-exempt transmitter(s)/receiver(s) that comply with Innovation, Science and Economic Development Canada's licence-exempt RSS(s). Operation is subject to the following two conditions:

- (1) This device may not cause interference.
- (2) This device must accept any interference, including interference that may cause undesired operation of the device.

The term "IC: " before the certification/registration number only signifies that the Industry Canada technical specifications were met.

This product meets the applicable Industry Canada technical specifications.

Cet appareil contient des émetteurs / récepteurs exemptés de licence conformes aux RSS (RSS) d'Innovation, Sciences et Développement économique Canada. L'exploitation est autorisée aux deux conditions suivantes : (1) l'appareil ne doit pas produire de brouillage, et (2) l'utilisateur de l'appareil doit accepter tout brouillage radioélectrique subi, même si le brouillage est susceptible d'en compromettre le fonctionnement.

L'émetteur/récepteur exempt de licence contenu dans le présent appareil est conforme aux CNR d'Innovation, Sciences et Développement économique Canada applicables aux appareils radio exempts de licence.

L'exploitation est autorisée aux deux conditions suivantes :

- 1) L'appareil ne doit pas produire de brouillage;
- 2) L'appareil doit accepter tout brouillage radioélectrique subi, même si le brouillage est susceptible d'en compromettre le fonctionnement.

This transmitter must not be co-located or operating in conjunction with any other antenna or transmitter. This equipment should be installed and operated with a minimum distance of 20 centimeters between the radiator and your body.

Cet émetteur ne doit pas être Co-placé ou fonctionnant en même temps qu'aucune autre antenne ou émetteur. Cet équipement devrait être installé et actionné avec une distance minimum de 20 centimètres entre le radiateur et votre corps.

Operation of this device is restricted to indoor use only. (5180-5240MHz)

Le fonctionnement de cet appareil est limité à une utilisation en intérieur uniquement. (5180-5240MHz)

Cet émetteur radio IC : 26839-2204E a été approuvé par Innovation, Sciences et Développement économique Canada pour fonctionner avec les types d'antenne énumérés ci-dessous, avec le gain maximal admissible indiqué. Les types d'antenne non inclus dans cette liste qui ont un gain supérieur au gain maximum indiqué pour tout type répertorié sont strictement interdits pour une utilisation avec cet appareil.

The radio transmitter IC: 26839-2204E has been approved by The Ministry of Innovation, Science and Economic Development of Canada to use the following antenna types with the specified maximum allowed gain. Antenna types not included in this list, whose gain is higher than the maximum gain of any type listed, are strictly prohibited from use with this device.

Type of antenna	External antenna
Antenna Gain	2400-2500(3.14dBi)
	5150-5850(4.5dBi)
Impedance	50Ohm
Manufacture	Shenzhen Yingjiachang Electronics Co., LTD