

Shenzhen Be-Comfortable Technology Co. Ltd

SPECIFICATION FOR APPROVAL

Customer	Our firm union
Project Name	DB1
Model Name	Model: DB1-WIFI-1 Antenna
specification	WIFI-1 antenna
Supplier NO.	N12-8140-R0A
Specification NO.	
Write by	Mingchao Zhang
REV.	Ver.01
Date	2022/12/5
Note	

CUSTOMER APPROVED BY		
Approved by	Checked by	Prepared by
SUPPLIER APPROVED BY		
Approved by	Checked by	Prepared by

Shenzhen Be-Comfortable Technology Co. Ltd

Version change record				
Change the date	Change the content	version	Change a person	approver

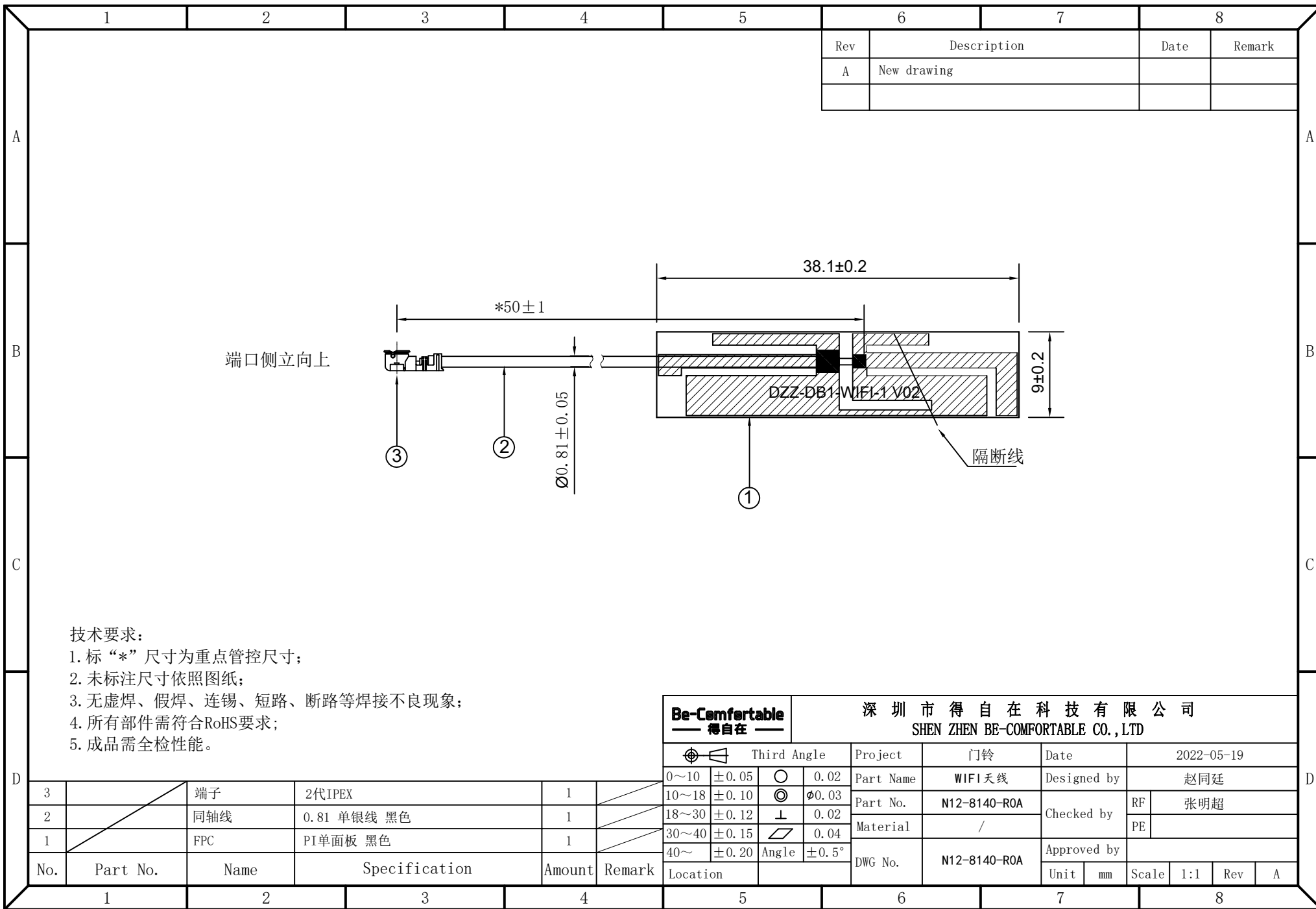
1. List of admission items (Index)

The serial number	content	The page number
—	Book cover	1
—	Version change record	2
1	List of admission items	3
2	Test equipment and conditions	4
3	Prototype structure specification	5
4	Finished antenna drawing	6
5	S11	7
6	Gain/efficiency /3D diagram	8
7	packaging	9

2. (Test Equipment & Conditions)

- 2.1. Network Analyzers : KEYSIGHT P5002A
- 2.2. Communications Test Set: R&S CMW 500
- 2.3. 3D Chamber Test System: 64 Probe test system





Rev	Description	Date	Remark
A	New drawing		

技术要求:

1. 标“*”尺寸为重点管控尺寸;
2. 未标注尺寸依照图纸;
3. 无虚焊、假焊、连锡、短路、断路等焊接不良现象;
4. 所有部件需符合RoHS要求;
5. 成品需全检性能。

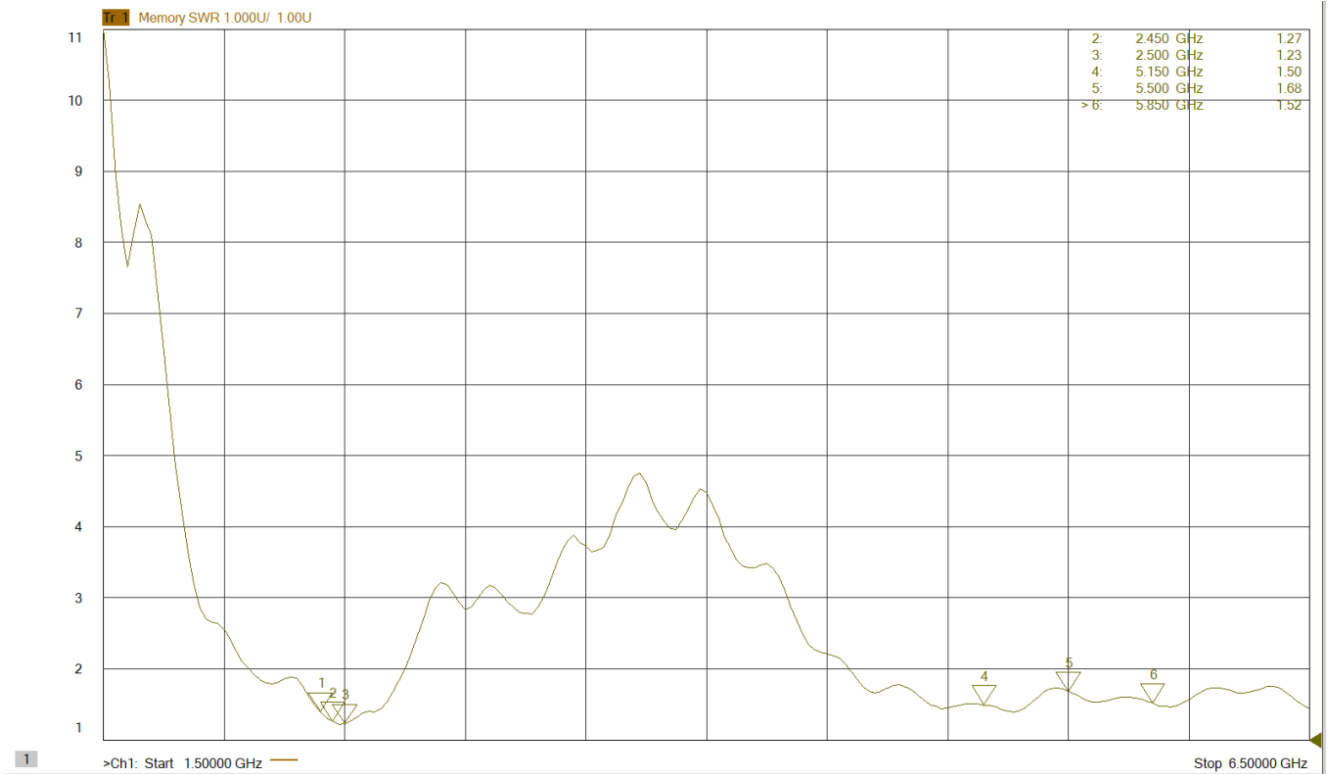
3		端子	2代IPEX	1	
2		同轴线	0.81 单银线 黑色	1	
1		FPC	PI单面板 黑色	1	
No.	Part No.	Name	Specification	Amount	Remark

Be-Comfortable 得自在		深圳市得自在科技有限公司 SHEN ZHEN BE-COMFORTABLE CO., LTD					
Third Angle		Project	门铃	Date	2022-05-19		
0~10	±0.05	○	0.02	Part Name	WiFi天线	Designed by	赵同廷
10~18	±0.10	◎	φ0.03	Part No.	N12-8140-R0A	Checked by	RF 张明超
18~30	±0.12	⊥	0.02	Material	/		PE
30~40	±0.15	∕	0.04	DWG No.	N12-8140-R0A	Approved by	
40~	±0.20	Angle	±0.5°			Unit	mm
Location				Rev	A		

3. (Mechanical instruction)



4.The WIFI-1 Ant- S11 VSWR

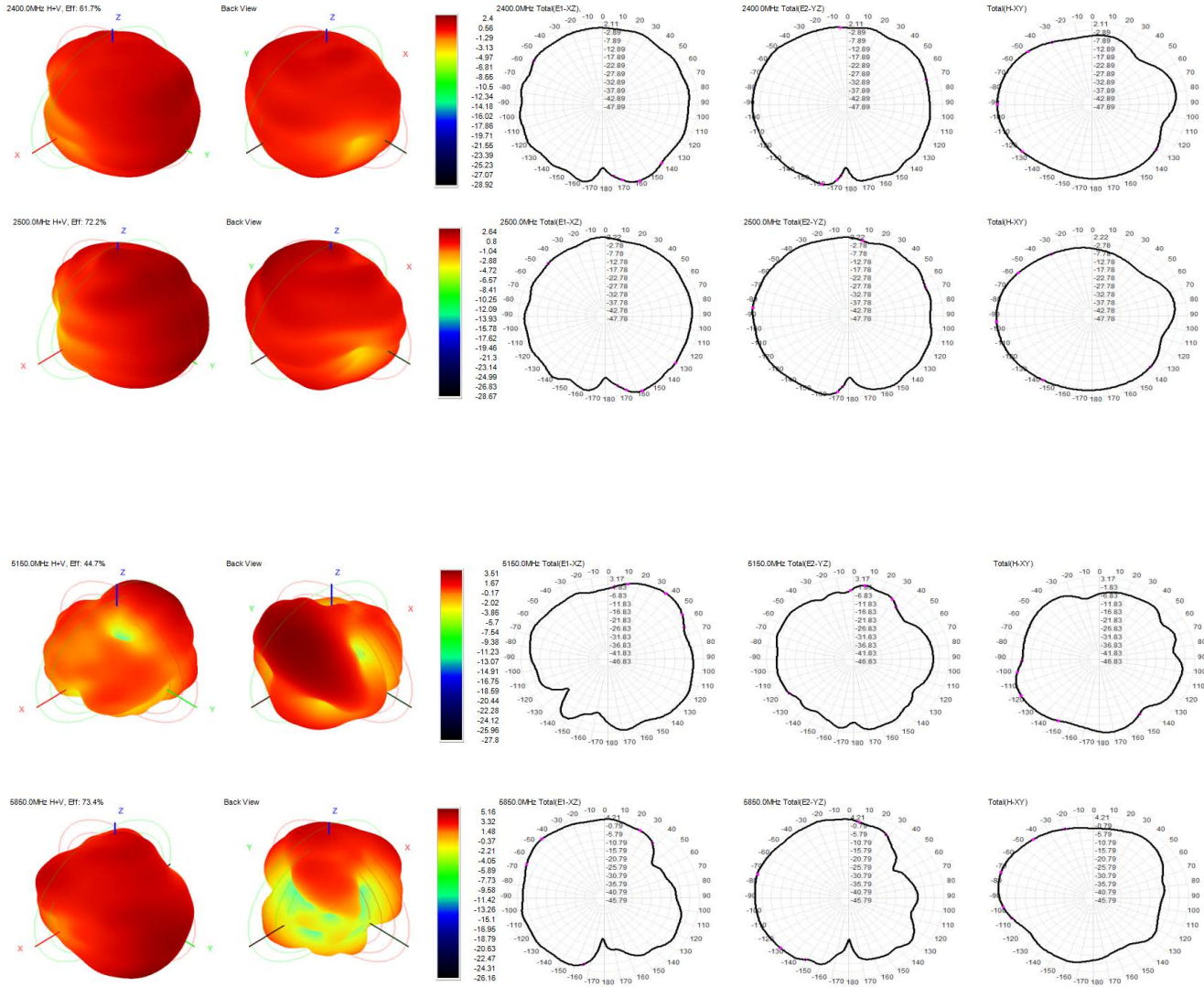


5. Gain & Efficiency /3D Pattern

Frequency ID	1	2	3	4	5	6	7	8	9	10	11
Frequency (MHz)	2400.0	2410.0	2420.0	2430.0	2440.0	2450.0	2460.0	2470.0	2480.0	2490.0	2500.0
Efficiency(dBi)	-2.10	-2.08	-2.03	-1.93	-1.89	-1.89	-1.77	-1.67	-1.66	-1.51	-1.42
Gain(dBi)	1.40	1.68	1.61	1.40	1.24	1.35	1.58	1.71	1.70	2.00	1.64
Efficiency(%)	61.68	61.95	62.66	64.15	64.67	64.65	66.54	66.05	68.31	70.56	72.17

Frequency ID	12	13	14	15	16	17	18	19	20	21	22	23	24	25	26
Frequency (MHz)	5150.0	5200.0	5250.0	5300.0	5350.0	5400.0	5450.0	5500.0	5550.0	5600.0	5650.0	5700.0	5750.0	5800.0	5850.0
Efficiency(dBi)	-3.50	-3.28	-2.93	-2.91	-2.22	-2.35	-1.90	-2.06	-1.71	-1.50	-1.24	-1.48	-1.54	-1.25	-1.35
Gain(dBi)	3.51	3.84	3.98	3.80	3.09	3.24	3.14	2.80	3.15	4.00	3.28	3.41	3.73	3.29	3.16
Efficiency(%)	44.68	46.99	50.90	51.20	60.01	58.17	64.55	62.22	67.51	70.78	75.16	71.13	70.07	75.06	73.37

5. 3D Pattern



产品包装规范

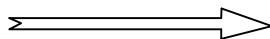
Be-Comfortable
得自在

日期: 2022-05-19

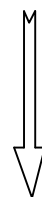
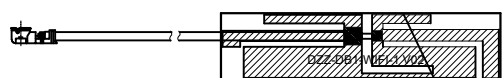
page: 1 of 1

成品名称:门铃/WIFI-1天线	版本: A
	客户: 睿联

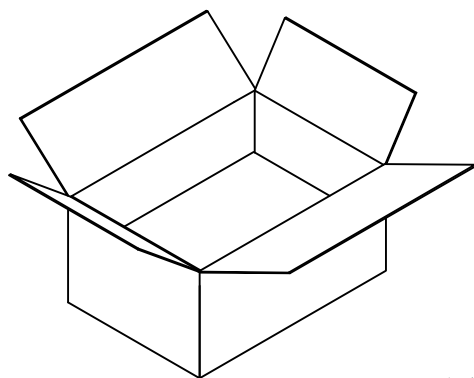
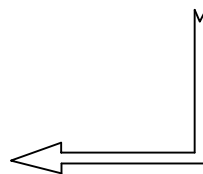
一: 成品天线



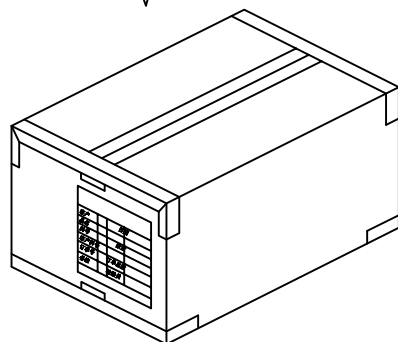
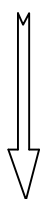
二: 装袋, 每小袋装50PCS产品。



三: 装袋, 每大袋装10小袋
一大袋装500PCS。



四: 装箱, 每10大袋装一箱,
一箱共5000PCS产品
(以实际包装为准)。



五: 封箱, 外箱贴我司生产标签和ROHS标签。

批准: _____

确认: _____

拟制: 赵同廷