

E1 Outdoor
Quick Start Guide

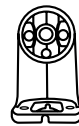
Content

What's in the Box	2
Camera Introduction	3
Set up the Camera	4
Install the E1 Outdoor Camera	7
Troubleshooting	10
Specifications	10
Notification of Compliance	11

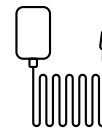
What's in the Box



E1 Outdoor



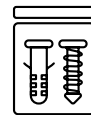
Camera Bracket



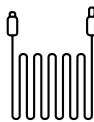
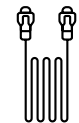
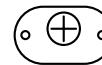
Power Adapter



Reset Needle



Pack of Screws

4.5m Power
Extension Cable1m
Network CableMounting
TemplateQuick
Start GuideSurveillance
Sign

Camera Introduction

Reset Button

* Press for more than five seconds to restore the device to default settings.

Micro SD Card Slot

* Rotate the lens to find the reset button and the SD card slot.

Daylight Sensor

Spotlight

Infrared Lights

Lens

Status LED

Built-in Mic

Speaker

Network Cable

Power Cable

Meaning of the Status LED:

Status/LED	Blinking	Solid
LED in Blue	WiFi is not configured	Camera is starting up
	WiFi connection failed	WiFi connection succeeded



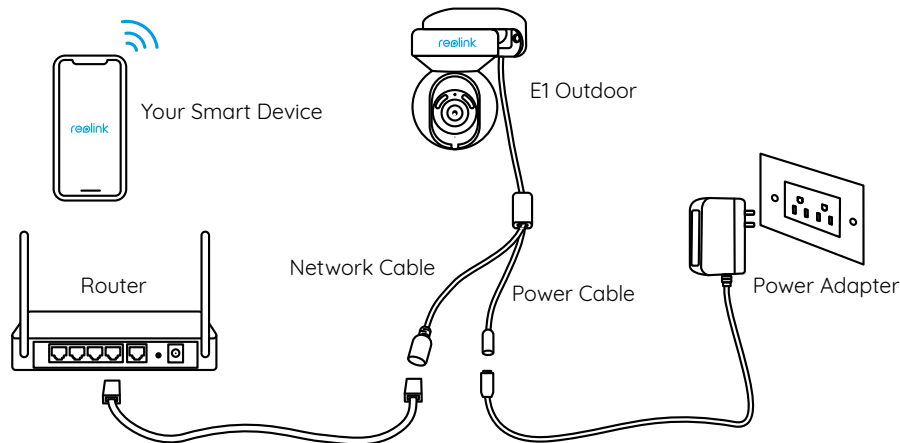
Set up the Camera

Wired Setup

It is recommended that the initial setup be completed with the Ethernet cable. You may follow the steps below to set up your camera.

Step 1 Connect the camera to a LAN port on your router with an Ethernet cable.

Step 2 Use the power adapter provided to power on the camera.



Step 3 Download and launch the Reolink App or Client software, and follow the onscreen instructions to finish initial setup.

- **On Smartphone**

Scan to download the Reolink App.



- **On PC**

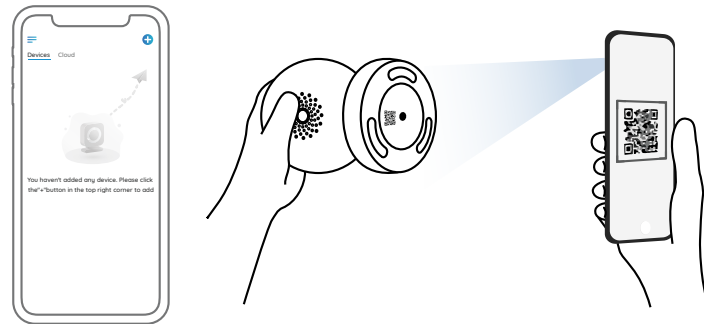
Download path of the Reolink Client: Go to <https://reolink.com> > Support > App & Client.

Wireless Setup

If you set up E1 Outdoor without the Ethernet cable, you may follow the steps below.

Step 1 Use the power adapter provided to power on the camera.

Step 2 Launch the Reolink App, click the “+” button in the top right corner to add the camera. Scan the QR code on the device and follow the onscreen instructions to finish initial setup.

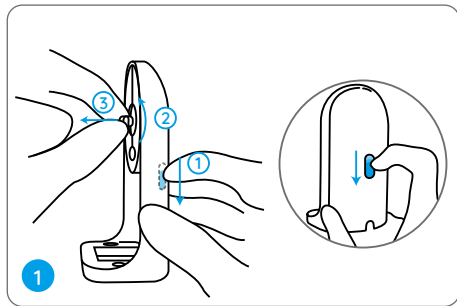


NOTE: If you access the camera via the Reolink Client, you may click the Add Device icon and choose the UID option to enter the UID of your camera. The UID is on the camera body (right below the QR code).

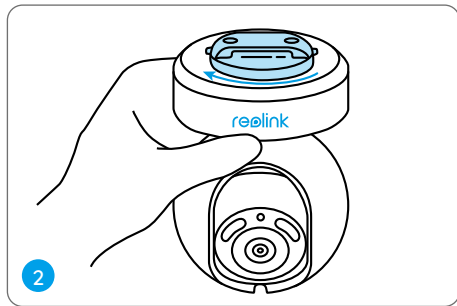
Install the E1 Outdoor Camera

Mount the Camera to the Wall

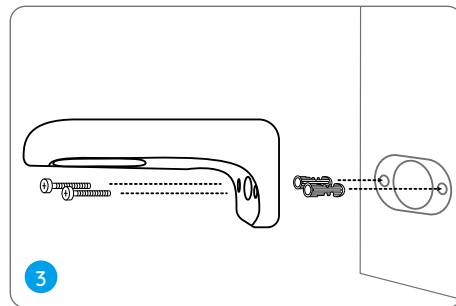
For outdoor use, E1 Outdoor must be installed upside down for better waterproof performance.



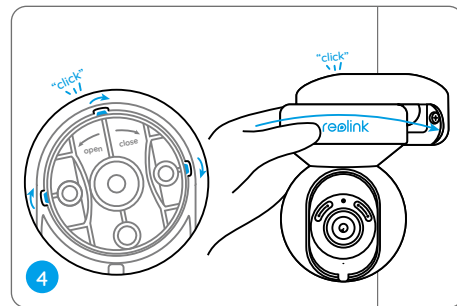
Pull the button of the security mount and unscrew the bracket to separate the two parts.



Screw the bracket to the bottom of the camera.



Drill holes in accordance with the mounting template and screw the security mount to the wall.

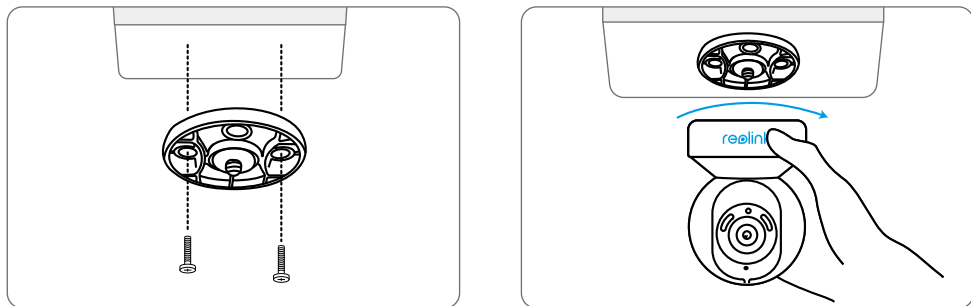


Choose a proper direction of the camera and then align the bracket to the security mount and lock the camera in place by turning anti-clockwise.

NOTE: Use the drywall anchors included in the package if needed.

Mount the Camera to the Ceiling

Pull the button of the security mount and unscrew the ceiling bracket from the mount.



Install the bracket to the ceiling. Align the camera with the bracket and turn the camera unit clockwise to lock it in position.

Troubleshooting

Camera is Not Powering on

If your camera is not powering on, please try the following solutions:

- Plug the camera into another outlet.
- Use another 12V power adapter to power on the camera.

If these won't work, please contact Reolink Support.

WiFi Connection Failed During Initial Setup Process

If the camera failed to connect to WiFi, please try the following solutions:

- Please ensure you have entered the correct WiFi password.
- Put your camera close to your router to ensure a strong WiFi signal.
- Change the encryption method of the WiFi network to WPA2-PSK/WPA-PSK (safer encryption) on your router interface.
- Change your WiFi SSID or password and

make sure that SSID is within 31 characters and password is within 64 characters.

- Set your password using only the characters on the keyboard.

If these won't work, please contact Reolink Support.

Specifications

Hardware

Display Resolution: 5MP
IR Distance: 12 meters (40 ft)
Pan/Tilt Angle: Horizontal: 355° / Vertical: 50°
Power Input: DC 12V/1A

Software Features

Frame Rate: 20fps (default)
Audio: Two-way audio
IR Cut Filter: Yes

General

Operating Frequency: 2.4/5GHz Dual-band
Operating Temperature:
-10°C to 55°C (14°F to 131°F)

Size: 84.7×117.8 mm
Weight: 380g

Notification of Compliance

FCC Compliance Statement

This device complies with Part 15 of the FCC Rules. Operation is subject to the following two conditions:

- this device may not cause harmful interference, and
- this device must accept any interference received, including interference that may cause undesired operation.

NOTE: This equipment has been tested and found to comply with the limits for a Class B digital device, pursuant to part 15 of the FCC Rules. These limits are designed to provide reasonable protection against harmful interference in a residential installation. This equipment generates uses and can radiate radio frequency energy and, if not installed and

used in accordance with the instructions, may cause harmful interference to radio communications. However, there is no guarantee that interference will not occur in a particular installation. If this equipment does cause harmful interference to radio or television reception, which can be determined by turning the equipment off and on, the user is encouraged to try to correct the interference by one or more of the following measures:

- Reorient or relocate the receiving antenna.
- Increase the separation between the equipment and receiver.
- Connect the equipment into an outlet on a circuit different from that to which the receiver is connected.
- Consult the dealer or an experienced radio/TV technician for help.

Changes or modifications not expressly approved by the party responsible for compliance could void the user's authority to operate the equipment.

FCC RF Exposure Warning Statements

This equipment complies with FCC radiation exposure limits set forth for an uncontrolled environment. This equipment shall be installed and operated with minimum distance 20cm between the radiator & body.

Simplified EU Declaration of Conformity

Reolink declares that this device is in compliance with the essential requirements and other relevant provisions of Directive 2014/53/EU.



Correct Disposal of This Product

This marking indicates that this product should not be disposed with other household wastes throughout the EU. To prevent possible harm to the environment or human health from uncontrolled waste disposal, recycle it responsibly to promote the sustainable reuse of material resources. To return your used device, please use the return and collection

systems or contact the retailer where the product was purchased. They can take this product for environment safe recycling.

Limited Warranty

This product comes with a 2-year limited warranty that is valid only if purchased from Reolink Official Store or a Reolink authorized reseller. Learn more: <https://reolink.com/warranty-and-return/>.

NOTE: We hope that you enjoy the new purchase. But if you are not satisfied with the product and plan to return, we strongly suggest that you reset the camera to factory default settings and take out the inserted SD card before returning.

Terms and Privacy

Use of the product is subject to your agreement to the Terms of Service and Privacy Policy at reolink.com. Keep out of reach of children.

End User License Agreement

By using the Product Software that is embedded on the Reolink product, you agree to the terms of this End User License Agreement (“EULA”) between you and Reolink. Learn more: <https://reolink.com/eula/>.

ISED Statements

This device contains licence-exempt transmitter(s)/receiver(s) that comply with Innovation, Science and Economic Development Canada’s licence-exempt RSS(s). Operation is subject to the following two conditions:

- (1) This device may not cause interference.
- (2) This device must accept any interference, including interference that may cause undesired operation of the device.

L’émetteur/récepteur exempt de licence contenu dans le présent appareil est conforme aux CNR d’Innovation, Sciences et Développement économique Canada applicables aux appareils radio exempts de licence. L’exploitation est autorisée aux deux conditions suivantes :

- (1) L’appareil ne doit pas produire de brouillage;
- (2) L’appareil doit accepter tout brouillage radioélectrique subi, même si le brouillage est susceptible d’en compromettre le fonctionnement.

Radio Frequency Exposure Statement for IC

This equipment complies with IC exposure limits set forth for an uncontrolled environment. The device can be used in portable exposure conditions. This equipment shall be installed and operated with minimum distance 20cm between the radiator & body.

Cet équipement est conforme aux limites d’exposition IC établies pour un environnement non contrôlé. L’appareil peut être utilisé dans des conditions d’exposition portables. Cet équipement doit être installé et utilisé avec une distance minimale de 20 cm entre le radiateur et le corps.

Operation of this device is restricted to indoor use only. (W52 band)

Le fonctionnement de cet appareil est limité à une utilisation en intérieur uniquement. (W52 band)

OPERATING FREQUENCY (the maximum transmitted power)

2412MHz---2472MHz (19dBm)
5150MHz---5350MHz (18dBm)
5470MHz---5725MHz (18dBm)

Technical Support

If you need any technical help, please visit our official support site and contact our support team before returning the products, <https://support.reolink.com>.