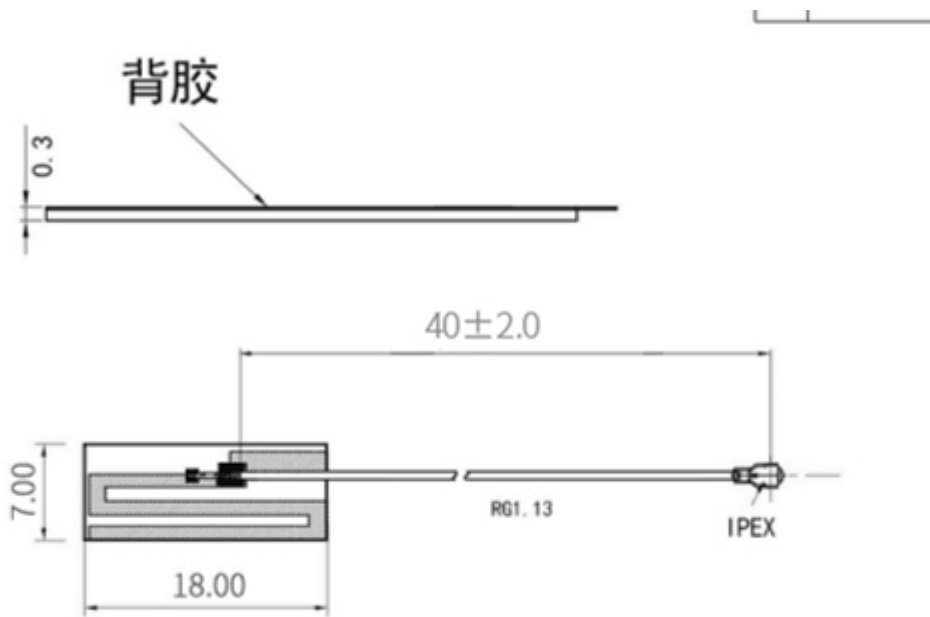
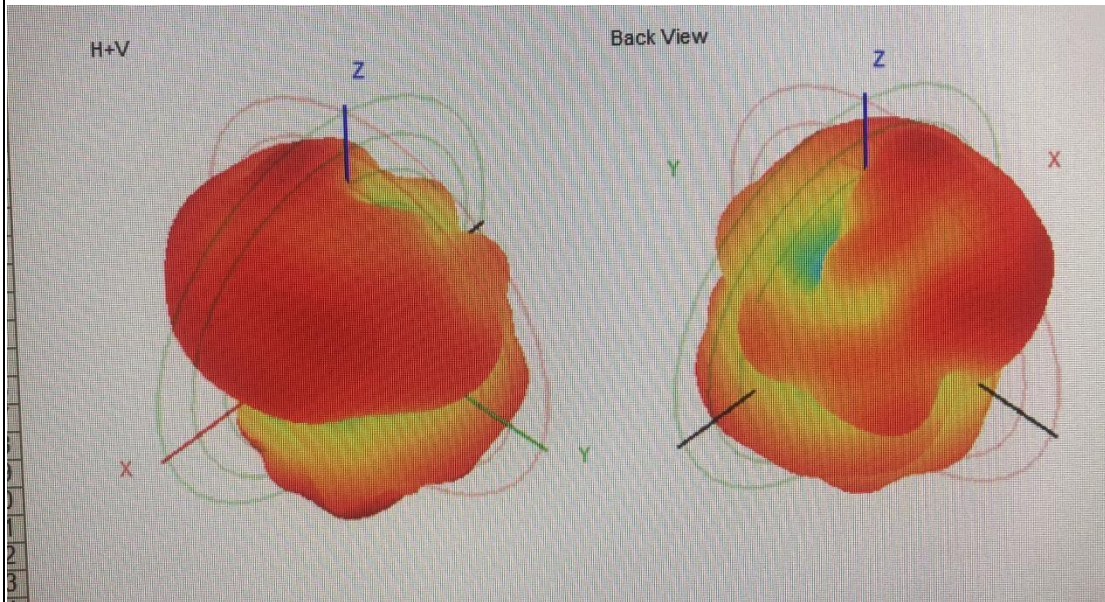


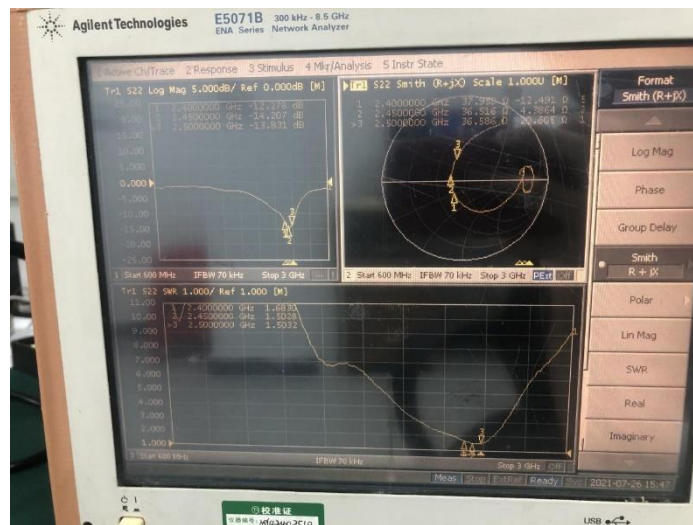
Manufacturer	Shenzhen Kexin Wireless Technology Co., Ltd
Product	AG-040035-1321
Specification	
Frequency Range	2400-2500MHz
V.S.W.R	≤ 2.0
Impedance	50 Ω
Gain	4.96 dB
Azimuth	Omni-directional
Polarization	Linear
Azimuth Beam width	Omni-directional
Dimension (mm)	



Performance



Test Graph



科信无线

Frequency ID	1	2	3	4	5	6	7	8	9	10	11
Frequency (MHz)	2400.0	2410.0	2420.0	2430.0	2440.0	2450.0	2460.0	2470.0	2480.0	2490.0	2500.0
Efficiency (dBi)	-3.20	-3.13	-3.13	-2.99	-2.84	-2.76	-2.77	-2.74	-2.71	-2.75	-2.64
Gain (dBi)	4.89	4.96	4.92	4.95	4.93	4.81	4.65	4.60	4.62	4.66	4.91
Efficiency (%)	47.91	48.67	48.60	50.21	51.98	52.99	52.90	53.22	53.53	53.11	54.41
Directivity (dB)	8.08	8.09	8.05	7.94	7.77	7.57	7.41	7.33	7.34	7.41	7.55
Peak Gain Position (Theta)	151.00	151.00	151.00	151.00	152.00	152.00	152.00	152.00	152.00	152.00	152.00
Peak Gain Position (Phi)	39.00	39.00	40.00	40.00	40.00	41.00	42.00	42.00	42.00	42.00	41.00
Efficiency ThetaPol (%)	34.28	35.02	35.17	36.54	38.12	39.14	39.42	40.09	40.74	40.76	41.94
Efficiency PhiPol (%)	13.63	13.65	13.43	13.67	13.86	13.85	13.48	13.13	12.79	12.35	12.47
Upper Hem. Efficiency (%)	21.86	22.44	22.87	24.42	26.37	28.05	28.99	29.84	30.14	29.50	29.46
Lower Hem. Efficiency (%)	26.05	26.23	25.72	25.79	25.61	24.94	23.91	23.38	23.38	23.60	24.95

