

Thermal Imaging Fever Screening Terminal

IRS-AC822-H



Product Features

Accurate Thermal Temperature Measurement

- ★ Thermal imaging and temperature screening with resolution of 256x192
- ★ Skin temperature screening from 0.3m to 2m (measurement deviation within $\pm 0.5^{\circ}\text{C}$)

AI Face Recognition

- ★ Support face recognition with mask, face recognition accuracy > 92%
- ★ Support 1:1/1:N face comparison, face image capacity

High Face Recognition Speed

- ★ 0.2s per face plus forehead temperature measurement

- ★ Support multiple persons temperature screening at the same time

Custom Voice Broadcast

- ★ Support multiple languages and custom voice uploading
- ★ Support normal temperature broadcast and abnormal temperature broadcast

Support Multiple Interfaces and Peripheral

- ★ Support identification of CPU card, IC card and HID card
- ★ Support lock control output and face unlock

Rapid Deployment

- ★ Support cloud deployment and private server deployment
- ★ With encapsulation level IP66

Application Fields

Security Inspection Management

- ★ High-speed rail station, airports, bus station, subway station

Face Access Management

- ★ Schools and enterprise and public institution

Attendance and Sign-in

- ★ Company conference, school training, exhibition and forum

In and Out Management

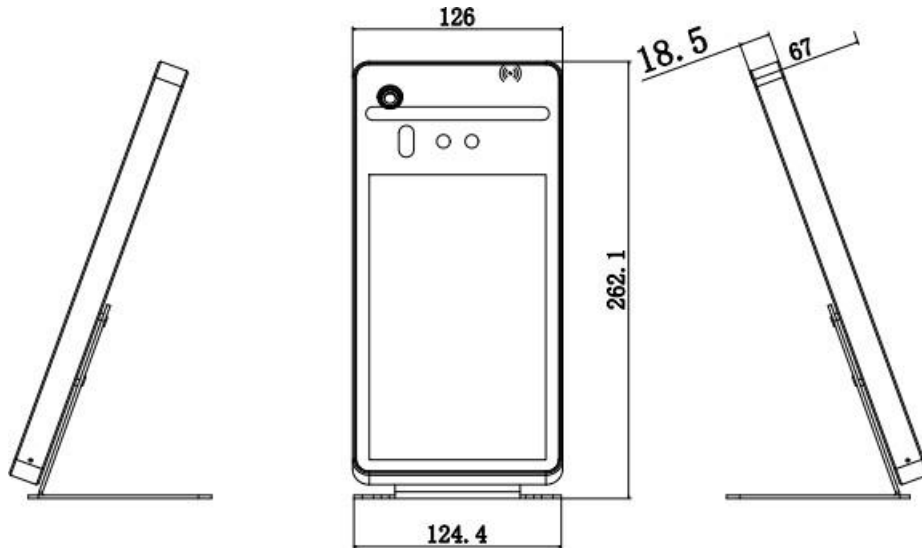
- ★ Communities, office buildings, villas, etc.

Technical Specifications

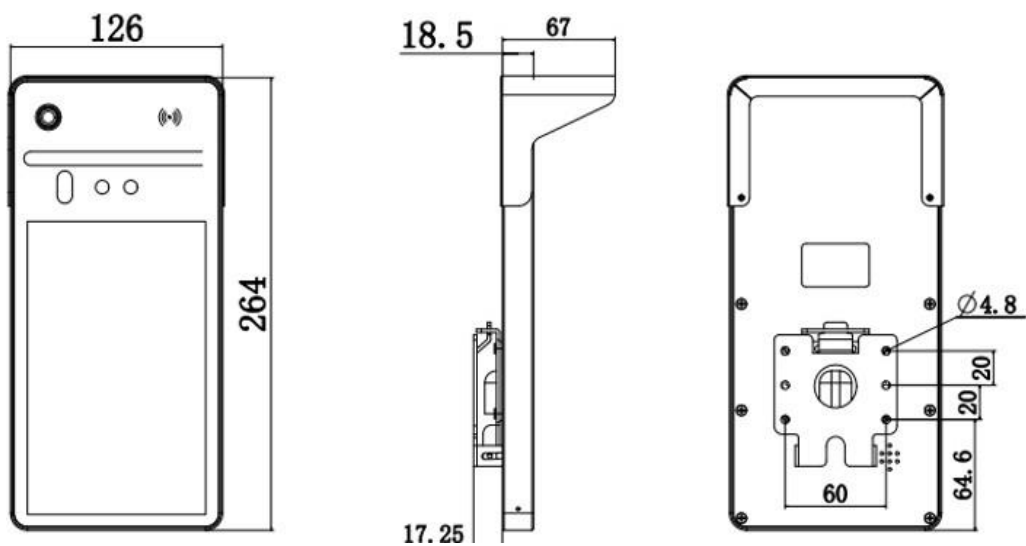
Technical Index		Thermal Imaging Fever Screening Terminal
Thermal	Sensor Type	uncooled IRFPA
	Resolution	256×192
	Temperature Measurement Distance	0.3 ~ 2m
	Temperature Measurement Accuracy	±0.5°C
Visible	Sensor Specification	Dual 2MP, low illumination sensor
	WDR	≥120dB
	FOV	65°×40°
	Focal Length	4.3mm
Function	Face Inspection	AI face inspection trace, more than 30 faces per frame
	Liveness Inspection	Anti-spoofing: pictures, video, face ornaments, 3D model
	Properties	Mask, gender, age, glasses, facial expressions, beard, hat
	Face Database	50,000
	Attendance Record	50,000
	Card Reading	Support CPU card/IC card /HID card
	Unlock Type	Support face, card, QR code, Bluetooth
Interface	Alarm Input	2-channel alarm in, 1 channel alarm out
	RS485	1 channel RS485
	Unlock Button	Yes
	Power	DC 12V
	Network Interface	One self-adaptive RJ45 10M / 100M Ethernet port

		One 2.4G Wi-Fi module
	USB	One USB 2.0
	Wiegand	Double
Device Parameters	Working Temperature	Terminal working temperature: -20 °C ~ + 60 °C; The recommended working temperature for infrared thermography : 20°C ~ 35°C , indoor, windless, no direct sunshine
	Encapsulation	IP66
	Dimensions	126mm×264mm×18.5mm
	Display	8 inch, 1280×800
	Power Consumption	Less than 20W, 12V power supply
	Mounting Type	Wall-mounted, desktop, turnstiles

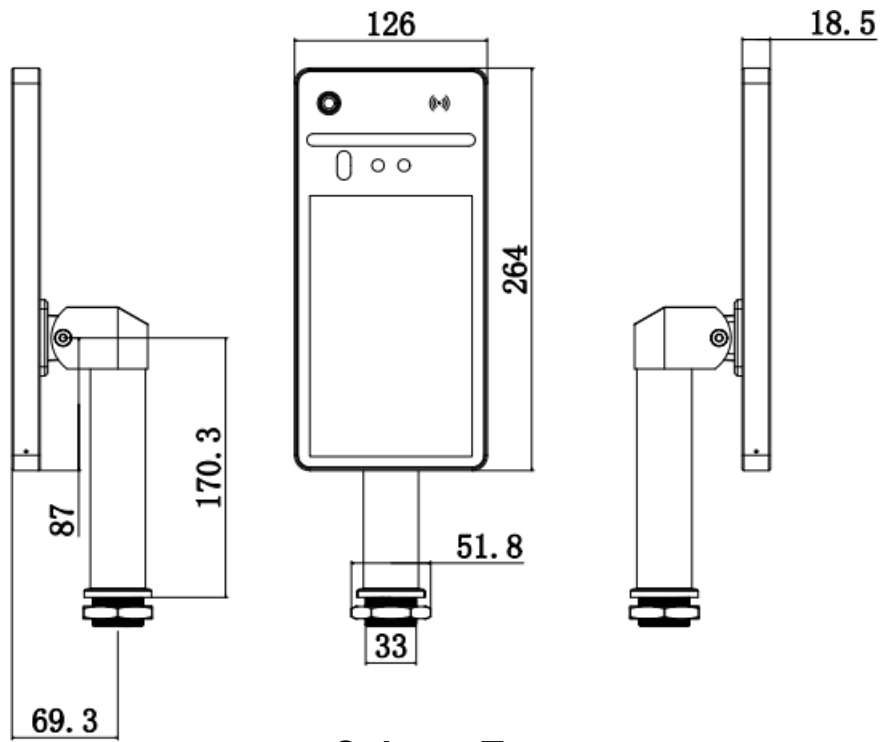
Drawings



Desktop Type



Wall-mounted



Column Type

Accessory List

No.	Accessory Name	Picture
1	The floor stand for column type	
2	The desktop stand for column type	
3	The sunshield	

FCC Statement

This equipment has been tested and found to comply with the limits for a Class B digital device, pursuant to part 15 of the FCC Rules. These limits are designed to provide reasonable protection against harmful interference in a residential installation. This equipment generates, uses and can radiate radio frequency energy and, if not installed and used in accordance with the instructions, may cause harmful interference to radio communications. However, there is no guarantee that interference will not occur in a particular installation. If this equipment does cause harmful interference to radio or television reception, which can be determined by turning the equipment off and on, the user is encouraged to try to correct the interference by one or more of the following measures:

- Reorient or relocate the receiving antenna.
- Increase the separation between the equipment and receiver.
- Connect the equipment into an outlet on a circuit different from that to which the receiver is connected.
- Consult the dealer or an experienced radio/TV technician for help.

FCC Radiation Exposure Statement

This device complies with FCC radiation exposure limits set forth for an uncontrolled environment and it also complies with Part 15 of the FCC RF Rules. This equipment must be installed and operated in accordance with provided instructions and the antenna(s) used for this transmitter must be installed to provide a separation distance of at least 20 cm from all persons and must not be co-located or operating in conjunction with any other antenna or transmitter. End-users and installers must be provided with antenna installation instructions and consider removing the no-collocation statement.

This device complies with Part 15 of the FCC Rules. Operation is subject to the following two conditions:

- (1) this device may not cause harmful interference, and
- (2) this device must accept any interference received, including interference that may cause undesired operation.

Caution!

Any changes or modifications not expressly approved by the party responsible for compliance could void the user's authority to operate the equipment.

©2021 iRay Technology Co.,Ltd. All rights reserved.

This datasheet is subject to change without prior notice. Please contact us to get the latest datasheet.