



### FCC PART 24TEST REPORT Part 24 Subpart E

Report Reference No.....: HK2010102834-4E

FCC ID.....: 2AYGH-SDN200

Compiled by

( position+printed name+signature)..: File administrators Gary Qian

Supervised by

( position+printed name+signature)..: Technique principal Eden Hu

Approved by

( position+printed name+signature)..: Manager Jason Zhou

Date of issue.....: Nov.10, 2020

**Testing Laboratory Name** .....: **Shenzhen HUAKE Testing Technology Co., Ltd.**

Address .....: 1F, B2 Building, Junfeng Zhongcheng Zhizao Innovation Park,  
Heping Community, Fuhai Street, Bao' an District, Shenzhen,China

**Applicant's name**.....: **Siden, Inc.**

Address .....: 154 West, 24th Street, 2nd Floor, New York, NY 10011, United States

**Test specification** .....

Standard.....: **FCC CFR Title 47 Part 2, Part 24E**  
**EIA/TIA 603-D: 2010**  
**KDB 971168 D01**

TRF Originator.....: Shenzhen HUAKE Testing Technology Co., Ltd.

**Shenzhen HUAKE Testing Technology Co., Ltd.All rights reserved.**

This publication may be reproduced in whole or in part for non-commercial purposes as long as the Shenzhen HUAKE Testing Technology Co., Ltd.as copyright owner and source of the material. Shenzhen HUAKE Testing Technology Co., Ltd.takes no responsibility for and will not assume liability for damages resulting from the reader's interpretation of the reproduced material due to its placement and context.

**Test item description** .....: Set top box Android

Trade Mark .....: Siden

**Manufacturer**.....: **Videostrong Technology Co., Ltd**

Model/Type reference.....: SDN200

Listed Models .....: N/A

Modulation Type .....: QPSK, 16QAM

Rating .....: DC12V From Adapter

Hardware version .....: V1.1

Software version.....: V1.1

Result.....: **PASS**

**TEST REPORT**

<b>Test Report No. :</b> <b>HK2010102834-4E</b>	Nov.10, 2020
	Date of issue

Equipment under Test                    :            Set top box Android

Model /Type                                :            SDN200

Listed Models                              :            N/A

**Applicant**                                 :            **Siden, Inc.**

Address                                        :            154 West, 24th Street, 2nd Floor, New York, NY 10011,  
United States

**Manufacturer**                            :            **Videostrong Technology Co., Ltd**

Address                                        :            6f East building, Lushi industrial, bao'an 28 Zone,  
Shenzhen, China

<b>Test Result:</b>	<b>Pass *</b>
---------------------	---------------

\* In the configuration tested, the EUT complied with the standards specified page 9.

The test report merely corresponds to the test sample.  
It is not permitted to copy extracts of these test result without the written permission of the test laboratory.



## Revision History

Revision	Issue Date	Revisions	Revised By
V1.0	Nov.10, 2020	Initial Issue	Jason Zhou



## Contents

<b>1</b>	<b><u>TEST STANDARDS.....</u></b>	<b>5</b>
<b>2</b>	<b><u>SUMMARY .....</u></b>	<b>6</b>
2.1	General Remarks	6
2.2	Product Description	6
2.3	Equipment under Test	6
2.4	Short description of the Equipment under Test (EUT)	6
2.5	Normal Accessory setting	7
2.6	EUT configuration	7
2.7	Related Submittal(s) / Grant (s)	7
2.8	Modifications	7
2.9	GeneralTest Conditions/Configurations	7
<b>3</b>	<b><u>TEST ENVIRONMENT.....</u></b>	<b>8</b>
3.1	Address of the test laboratory	8
3.2	Environmental conditions	8
3.3	Test Description	9
3.4	Equipments Used during the Test	10
<b>4</b>	<b><u>TEST CONDITIONS AND RESULTS.....</u></b>	<b>11</b>
4.1	Output Power	11
4.2	Peak-to-Average Ratio (PAR)	16
4.3	Occupied Bandwidth and Emission Bandwidth	17
4.4	Band Edge compliance	18
4.5	Spurious Emssion on Antenna Port	19
4.6	Radiated Spurious Emssion	20
4.7	Frequency Stability	28
<b>5</b>	<b><u>TEST SETUP PHOTOS OF THE EUT .....</u></b>	<b>29</b>



# **1 TEST STANDARDS**

The tests were performed according to following standards:

[FCC Part 24](#) :PUBLIC MOBILE SERVICES

[TIA/EIA 603 D June 2010](#):Land Mobile FM or PM Communications Equipment Measurement and Performance Standards.

[47 CFR FCC Part 15 Subpart B](#): - Unintentional Radiators

[FCC Part 2](#): FREQUENCY ALLOCA-TIONS AND RADIO TREATY MAT-TERS; GENERAL RULES AND REG-ULATIONS

[KDB971168 D01: v02r02](#)MEASUREMENT GUIDANCE FOR CERTIFICATION OF LICENSED DIGITAL TRANSMITTERS

[ANSI C63.4:2014](#):Methods of Measurement of Radio-Noise Emissions from Low-Voltage Electrical and Electronic Equipment in the Range of 9 kHz to 40 GHz



## 2 SUMMARY

### 2.1 General Remarks

Date of receipt of test sample	:	Oct. 10, 2020
Testing commenced on	:	Oct. 10, 2020
Testing concluded on	:	Nov.10, 2020

### 2.2 Product Description

Name of EUT	Set top box Android
Model/Type reference:	SDN200
List Model:	N/A
Power supply:	DC12V From Adapter
Adapter Information	Input: AC100-240V, 50-60Hz, 0.5A Output: 12V, 1.5A
Modulation Type	QPSK,16QAM
Antenna Type	Internal
Operation Frequency Band	LTE Band 2
Operation frequency	LTE Band 2: 1850.7~1909.3 MHz
LTE Release	R8
Extreme temp. Tolerance	-30°C to +50°C
Extreme vol. Limits	N/A

### 2.3 Equipment under Test

#### Power supply system utilised

Power supply voltage	:	<input type="radio"/> 120V/ 60 Hz	<input type="radio"/> 115V/60Hz
		<input type="radio"/> 12 V DC	<input type="radio"/> 24 V DC
		<input checked="" type="radio"/> Other (specified in blank below)	

DC12V From Adapter



### 2.4 Normal Accessory setting

Fully charged battery was used during the test.

### 2.5 EUT configuration

The following peripheral devices and interface cables were connected during the measurement:

● - supplied by the manufacturer

○ - supplied by the lab

<input type="radio"/>	Power Cable	Length (m) :	/
		Shield :	/
		Detachable :	/
<input type="radio"/>	Multimeter	Manufacturer :	/
		Model No. :	/

### 2.6 Related Submittal(s) / Grant (s)

This submittal(s) (test report) is intended for **FCC ID: 2AYGH-SDN200** filing to comply with FCC Part 24, Rules.

### 2.7 Modifications

No modifications were implemented to meet testing criteria.

### 2.8 General Test Conditions/Configurations

#### 2.10.1 Test Environment

Environment Parameter	Selected Values During Tests	
Relative Humidity	Ambient	
Temperature	TN	Ambient
Voltage	VL	10.8V
	VN	12V
	VH	13.2V

NOTE: VL=lower extreme test voltage VN=nominal voltage  
VH=upper extreme test voltage TN=normal temperature



### **3 TEST ENVIRONMENT**

#### **3.1 Address of the test laboratory**

Shenzhen HUAKE Testing Technology Co., Ltd.  
Add.:1F, B2 Building, Junfeng Zhongcheng Zhizao Innovation Park,Heping Community, Fuhai Street,  
Bao'an District, Shenzhen, China

#### **3.2 Environmental conditions**

During the measurement the environmental conditions were within the listed ranges:

Temperature:	15-35 ° C
Humidity:	30-60 %
Atmospheric pressure:	950-1050mbar





### 3.3 Test Description

#### PCSBand (1850-1915MHz pairedwith 1930-1995MHz)

Test Item	FCCRuleNo.	Requirements	Verdict
Effective(Isotropic) Radiated Output Power	§2.1046, §22.913(a)(2)	EIRP $\leq$ 2W	Pass
Peak-Average Ratio	§24.232(d)	FCC:Limit $\leq$ 13dB	compliance *
Modulation Characteristics	§2.1047	Digitalmodulation	compliance *
Bandwidth	§2.1049	OBW: Nolimit. EBW: Nolimit.	compliance *
Band Edges Compliance	§2.1051, §24.238	$\leq$ -13dBm/1%*EBW, In1MHzbandsimmediatelyoutsideandadjacentto Thefrequency block.	compliance *
Spurious Emissionat AntennaTerminals	§2.1051, §24.238	$\leq$ -13dBm/1MHz, from9kHzto10thharmonicsbut outsideauthorized Operatingfrequency ranges.	compliance *
Field Strength of Spurious Radiation	Clause 7of KDB971168 D01 v02r02	$\leq$ -13dBm/1MHz.	Pass
Frequency Stability	§2.1055, §22.355, §24.235	FCC:withinauthorizedfrequency block.	compliance *

NOTE 1: For the verdict, the " compliance \*" Test data refers to FCC ID:XMR201808EC25AF, and report number is:R1806A0301-R2V1.

Remark:

1. The measurement uncertainty is not included in the test result.



### 3.4 Equipments Used during the Test

Test Equipment	Manufacturer	Model No.	Serial No.	Calibration Date	Calibration Due Date
LISN	ENV216	R&S	HKE-059	Jun. 18, 2020	Jun. 17, 2021
LISN	R&S	ENV216	HKE-002	Jun. 18, 2020	Jun. 17, 2021
Broadband antenna	Schwarzbeck	VULB 9163	HKE-012	Jun. 18, 2020	Jun. 17, 2021
Receiver	R&S	ESCI 7	HKE-010	Jun. 18, 2020	Jun. 17, 2021
Spectrum analyzer	Agilent	N9020A	HKE-048	Jun. 18, 2020	Jun. 17, 2021
RF automatic control unit	Tonscend	JS0806-2	HKE-060	Jun. 18, 2020	Jun. 17, 2021
Horn antenna	Schwarzbeck	9120D	HKE-013	Jun. 18, 2020	Jun. 17, 2021
Loop antenna	Schwarzbeck	FMZB 1519 B	HKE-014	Jun. 18, 2020	Jun. 17, 2021
Preamplifier	EMCI	EMC051845SE	HKE-015	Jun. 18, 2020	Jun. 17, 2021
Preamplifier	Agilent	83051A	HKE-016	Jun. 18, 2020	Jun. 17, 2021
Temperature and humidity meter	Boyang	HTC-1	HKE-075	Jun. 18, 2020	Jun. 17, 2021
High pass filter unit	Tonscend	JS0806-F	HKE-055	Jun. 18, 2020	Jun. 17, 2021
RF cable	Times	1-40G	HKE-034	Jun. 18, 2020	Jun. 17, 2021
Power meter	Agilent	E4419B	HKE-085	Jun. 18, 2020	Jun. 17, 2021
Power Sensor	Agilent	E9300A	HKE-086	Jun. 18, 2020	Jun. 17, 2021
Wireless Communication Test Set	R&S	CMW500	HKE-026	Jun. 18, 2020	Jun. 17, 2021
Horn Antenna	Schwarzbeck	BBHA 9170	HKE-017	Jun. 18, 2020	Jun. 17, 2021



## **4 TEST CONDITIONS AND RESULTS**

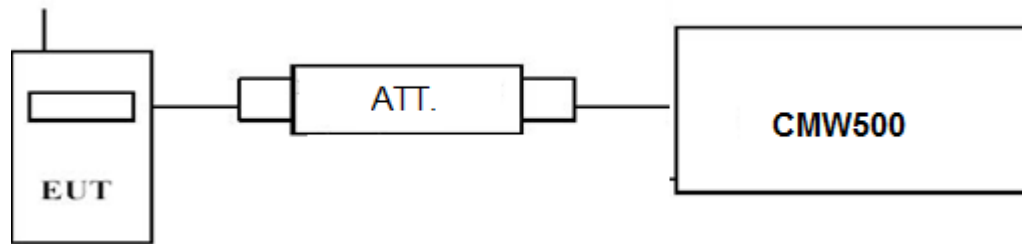
### **4.1 Output Power**

#### **4.1.1 Conducted Output Power**

##### **TEST APPLICABLE**

During the process of testing, the EUT was controlled via R&S Digital Radio Communication tester (CMW500) to ensure max power transmission and proper modulation. This result contains output power and EIRP measurements for the EUT. In all cases, output power is within the specified limits.

##### **TEST CONFIGURATION**



##### **TEST PROCEDURE**

###### **Conducted Power Measurement:**

- a) Place the EUT on a bench and set it in transmitting mode.
- b) Connect a low loss RF cable from the antenna port to a CMW500 by an Att.
- c) EUT Communicate with CMW500 then selects a channel for testing.
- d) Add a correction factor to the display CMW500, and then test.

##### **TEST RESULTS**

**N/A\***

Note: Test data refers to FCC ID:XMR201808EC25AF, and report number is:R1806A0301-R2V1.

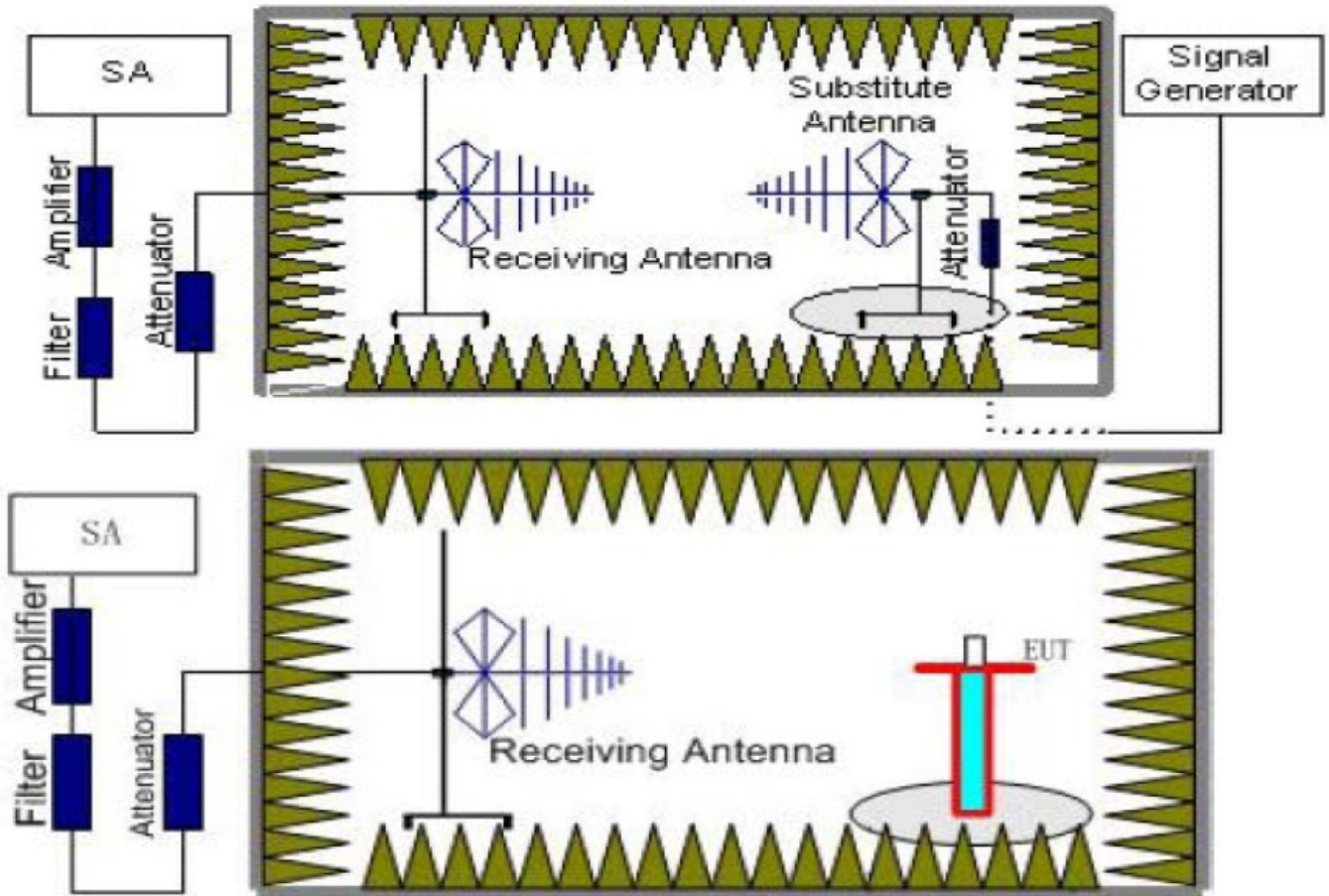
### 4.1.2. Radiated Output Power

#### LIMIT

This is the test for the maximum radiated power from the EUT.

Rule Part 24.232(b) specifies, "Mobile/portable stations are limited to 2 watts e.i.r.p.

#### TEST CONFIGURATION



#### TEST PROCEDURE

1. EUT was placed on a 1.50 meter high non-conductive stand at a 3 meter test distance from the receive antenna. A receiving antenna was placed on the antenna mast 3 meters from the EUT for emission measurements. The height of receiving antenna is 1.50m. Detected emissions were maximized at each frequency by rotating the EUT through 360° and adjusting the receiving antenna polarization. The radiated emission measurements of all transmit frequencies in three channels (High, Middle, Low) were measured with peak detector.
2. A log-periodic antenna or double-ridged waveguide horn antenna shall be substituted in place of the EUT. The log-periodic antenna will be driven by a signal generator and the level will be adjusted till the same power value on the spectrum analyzer or receiver. The level of the spurious emissions can be calculated through the level of the signal generator, cable loss, the gain of the substitution antenna and the reading of the spectrum analyzer or receiver.
3. The EUT is then put into continuously transmitting mode at its maximum power level during the test. Set Test Receiver or Spectrum RBW=1MHz, VBW=3MHz, And the maximum value of the receiver should be recorded as ( $P_r$ ).
4. The EUT shall be replaced by a substitution antenna. In the chamber, an substitution antenna for the frequency band of interest is placed at the reference point of the chamber. An RF Signal source for the frequency band of interest is connected to the substitution antenna with a cable that has been constructed to not interfere with the radiation pattern of the antenna. A power ( $P_{Mea}$ ) is applied to the input of the substitution antenna, and adjust the level of the signal generator output until the value of the receiver reach the previously recorded ( $P_r$ ). The power of signal source ( $P_{Mea}$ ) is recorded. The test should be performed by rotating the test item and adjusting the receiving antenna polarization.



5. An amplifier should be connected to the Signal Source output port. And the cable should be connect between the Amplifier and the Substitution Antenna. The cable loss ( $P_{cl}$ ), the Substitution Antenna Gain ( $G_a$ ) and the Amplifier Gain ( $P_{Ag}$ ) should be recorded after test.

The measurement results are obtained as described below:

$$\text{Power(EIRP)} = P_{\text{Mea}} - P_{\text{Ag}} - P_{\text{cl}} + G_a$$

We used SMF100A microwave signal generator which signal level can up to 33dBm, so we not used power Amplifier for substitution test; The measurement results are amend as described below:

$$\text{Power(EIRP)} = P_{\text{Mea}} - P_{\text{cl}} + G_a$$

6. This value is EIRP since the measurement is calibrated using an antenna of known gain (2.15 dBi) and known input power.
7. ERP can be calculated from EIRP by subtracting the gain of the dipole,  $\text{ERP} = \text{EIRP} - 2.15\text{dBi}$ .

**TEST RESULTS**

**Radiated Measurement:**

Remark:

1. We measured all RB Configuration refer 3GPP TS136 521 for each Channel Bandwidth of LTE FDD Band 2; recorded worst case for each Channel Bandwidth of LTE FDD Band 2.
2.  $\text{EIRP} = P_{\text{Mea}}(\text{dBm}) - P_{\text{cl}}(\text{dB}) + P_{\text{Ag}}(\text{dB}) + G_a(\text{dBi})$
3. We measured both Horizontal and Vertical direction, recorded worst case direction.

*LTE FDD Band 2\_Channel Bandwidth 1.4MHz\_QPSK*

Frequency (MHz)	$P_{\text{Mea}}$ (dBm)	$P_{\text{cl}}$ (dB)	$G_a$ Antenna Gain(dB)	$P_{\text{Ag}}$ (dB)	Burst Average EIRP (dBm)	Limit (dBm)	Margin (dB)	Polarization
1850.7	-14.9	3.41	10.24	33.6	25.53	33.01	7.48	V
1880.0	-16.36	3.49	10.24	33.6	23.99	33.01	9.02	V
1909.3	-16.01	3.55	10.23	33.6	24.27	33.01	8.74	V
1850.7	-14.55	3.41	10.24	33.6	25.88	33.01	7.13	H
1880.0	-15.84	3.49	10.24	33.6	24.51	33.01	8.5	H
1909.3	-14.97	3.55	10.23	33.6	25.31	33.01	7.7	H

*LTE FDD Band 2\_Channel Bandwidth 3MHz\_QPSK*

Frequency (MHz)	$P_{\text{Mea}}$ (dBm)	$P_{\text{cl}}$ (dB)	$G_a$ Antenna Gain(dB)	$P_{\text{Ag}}$ (dB)	Burst Average EIRP (dBm)	Limit (dBm)	Margin (dB)	Polarization
1851.5	-15.39	3.41	10.24	33.6	25.04	33.01	7.97	V
1880.0	-16.21	3.49	10.24	33.6	24.14	33.01	8.87	V
1908.5	-16.23	3.55	10.23	33.6	24.05	33.01	8.96	V
1851.5	-14.74	3.41	10.24	33.6	25.69	33.01	7.32	H
1880.0	-15.56	3.49	10.24	33.6	24.79	33.01	8.22	H
1908.5	-15.92	3.55	10.23	33.6	24.36	33.01	8.65	H

*LTE FDD Band 2\_Channel Bandwidth 5MHz\_QPSK*

Frequency (MHz)	$P_{\text{Mea}}$ (dBm)	$P_{\text{cl}}$ (dB)	$G_a$ Antenna Gain(dB)	$P_{\text{Ag}}$ (dB)	Burst Average EIRP (dBm)	Limit (dBm)	Margin (dB)	Polarization
1852.5	-15.24	3.41	10.24	33.6	25.19	33.01	7.82	V
1880.0	-15.77	3.49	10.24	33.6	24.58	33.01	8.43	V
1907.5	-15.87	3.55	10.23	33.6	24.41	33.01	8.6	V
1852.5	-14.99	3.41	10.24	33.6	25.44	33.01	7.57	H
1880.0	-15.49	3.49	10.24	33.6	24.86	33.01	8.15	H
1907.5	-15.29	3.55	10.23	33.6	24.99	33.01	8.02	H

*LTE FDD Band 2\_Channel Bandwidth 10MHz\_QPSK*

Frequency (MHz)	P <sub>Mea</sub> (dBm)	P <sub>cl</sub> (dB)	G <sub>a</sub> Antenna Gain(dB)	P <sub>Aq</sub> (dB)	Burst Average EIRP (dBm)	Limit (dBm)	Margin (dB)	Polarization
1855.0	-15.5	3.41	10.24	33.6	24.93	33.01	8.08	V
1880.0	-16.1	3.49	10.24	33.6	24.25	33.01	8.76	V
1905.0	-16.34	3.55	10.23	33.6	23.94	33.01	9.07	V
1855.0	-14.77	3.41	10.24	33.6	25.66	33.01	7.35	H
1880.0	-16.12	3.49	10.24	33.6	24.23	33.01	8.78	H
1905.0	-15.14	3.55	10.23	33.6	25.14	33.01	7.87	H

*LTE FDD Band 2\_Channel Bandwidth 15MHz\_QPSK*

Frequency (MHz)	P <sub>Mea</sub> (dBm)	P <sub>cl</sub> (dB)	G <sub>a</sub> Antenna Gain(dB)	P <sub>Aq</sub> (dB)	Burst Average EIRP (dBm)	Limit (dBm)	Margin (dB)	Polarization
1857.5	-15.26	3.41	10.24	33.6	25.17	33.01	7.84	V
1880.0	-16.26	3.49	10.24	33.6	24.09	33.01	8.92	V
1902.5	-16.37	3.55	10.23	33.6	23.91	33.01	9.1	V
1857.5	-14.87	3.41	10.24	33.6	25.56	33.01	7.45	H
1880.0	-16.04	3.49	10.24	33.6	24.31	33.01	8.7	H
1902.5	-15.57	3.55	10.23	33.6	24.71	33.01	8.3	H

*LTE FDD Band 2\_Channel Bandwidth 20MHz\_QPSK*

Frequency (MHz)	P <sub>Mea</sub> (dBm)	P <sub>cl</sub> (dB)	G <sub>a</sub> Antenna Gain(dB)	P <sub>Aq</sub> (dB)	Burst Average EIRP (dBm)	Limit (dBm)	Margin (dB)	Polarization
1860.0	-15.14	3.41	10.24	33.6	25.29	33.01	7.72	V
1880.0	-16.33	3.49	10.24	33.6	24.02	33.01	8.99	V
1900.0	-16.2	3.55	10.23	33.6	24.08	33.01	8.93	V
1860.0	-14.64	3.41	10.24	33.6	25.79	33.01	7.22	H
1880.0	-16.07	3.49	10.24	33.6	24.28	33.01	8.73	H
1900.0	-15.13	3.55	10.23	33.6	25.15	33.01	7.86	H

*LTE FDD Band 2\_Channel Bandwidth 1.4MHz\_16QAM*

Frequency (MHz)	P <sub>Mea</sub> (dBm)	P <sub>cl</sub> (dB)	G <sub>a</sub> Antenna Gain(dB)	P <sub>Aq</sub> (dB)	Burst Average EIRP (dBm)	Limit (dBm)	Margin (dB)	Polarization
1850.7	-15.18	3.41	10.24	33.6	25.25	33.01	7.76	V
1880.0	-16.02	3.49	10.24	33.6	24.33	33.01	8.68	V
1909.3	-15.55	3.55	10.23	33.6	24.73	33.01	8.28	V
1850.7	-15.03	3.41	10.24	33.6	25.4	33.01	7.61	H
1880.0	-15.95	3.49	10.24	33.6	24.4	33.01	8.61	H
1909.3	-15.17	3.55	10.23	33.6	25.11	33.01	7.9	H

*LTE FDD Band 2\_Channel Bandwidth 3MHz\_16QAM*

Frequency (MHz)	P <sub>Mea</sub> (dBm)	P <sub>cl</sub> (dB)	G <sub>a</sub> Antenna Gain(dB)	P <sub>Aq</sub> (dB)	Burst Average EIRP (dBm)	Limit (dBm)	Margin (dB)	Polarization
1851.5	-15.54	3.41	10.24	33.6	24.89	33.01	8.12	V
1880.0	-15.57	3.49	10.24	33.6	24.78	33.01	8.23	V
1908.5	-16.2	3.55	10.23	33.6	24.08	33.01	8.93	V
1851.5	-14.78	3.41	10.24	33.6	25.65	33.01	7.36	H
1880.0	-16.16	3.49	10.24	33.6	24.19	33.01	8.82	H
1908.5	-15.67	3.55	10.23	33.6	24.61	33.01	8.4	H



*LTE FDD Band 2\_Channel Bandwidth 5MHz\_ 16QAM*

Frequency (MHz)	P <sub>Mea</sub> (dBm)	P <sub>cl</sub> (dB)	G <sub>a</sub> Antenna Gain(dB)	P <sub>Aq</sub> (dB)	Burst Average EIRP (dBm)	Limit (dBm)	Margin (dB)	Polarization
1852.5	-15.5	3.41	10.24	33.6	24.93	33.01	8.08	V
1880.0	-15.68	3.49	10.24	33.6	24.67	33.01	8.34	V
1907.5	-15.96	3.55	10.23	33.6	24.32	33.01	8.69	V
1852.5	-15.01	3.41	10.24	33.6	25.42	33.01	7.59	H
1880.0	-16.26	3.49	10.24	33.6	24.09	33.01	8.92	H
1907.5	-15.66	3.55	10.23	33.6	24.62	33.01	8.39	H

*LTE FDD Band 2\_Channel Bandwidth 10MHz\_ 16QAM*

Frequency (MHz)	P <sub>Mea</sub> (dBm)	P <sub>cl</sub> (dB)	G <sub>a</sub> Antenna Gain(dB)	P <sub>Aq</sub> (dB)	Burst Average EIRP (dBm)	Limit (dBm)	Margin (dB)	Polarization
1855.0	-15.12	3.41	10.24	33.6	25.31	33.01	7.7	V
1880.0	-15.58	3.49	10.24	33.6	24.77	33.01	8.24	V
1905.0	-15.84	3.55	10.23	33.6	24.44	33.01	8.57	V
1855.0	-15.05	3.41	10.24	33.6	25.38	33.01	7.63	H
1880.0	-15.79	3.49	10.24	33.6	24.56	33.01	8.45	H
1905.0	-15.02	3.55	10.23	33.6	25.26	33.01	7.75	H

*LTE FDD Band 2\_Channel Bandwidth 15MHz\_ 16QAM*

Frequency (MHz)	P <sub>Mea</sub> (dBm)	P <sub>cl</sub> (dB)	G <sub>a</sub> Antenna Gain(dB)	P <sub>Aq</sub> (dB)	Burst Average EIRP (dBm)	Limit (dBm)	Margin (dB)	Polarization
1857.5	-14.93	3.41	10.24	33.6	25.5	33.01	7.51	V
1880.0	-16.41	3.49	10.24	33.6	23.94	33.01	9.07	V
1902.5	-15.78	3.55	10.23	33.6	24.5	33.01	8.51	V
1857.5	-14.99	3.41	10.24	33.6	25.44	33.01	7.57	H
1880.0	-15.93	3.49	10.24	33.6	24.42	33.01	8.59	H
1902.5	-15.18	3.55	10.23	33.6	25.1	33.01	7.91	H

*LTE FDD Band 2\_Channel Bandwidth 20MHz\_ 16QAM*

Frequency (MHz)	P <sub>Mea</sub> (dBm)	P <sub>cl</sub> (dB)	G <sub>a</sub> Antenna Gain(dB)	P <sub>Aq</sub> (dB)	Burst Average EIRP (dBm)	Limit (dBm)	Margin (dB)	Polarization
1860.0	-14.65	3.41	10.24	33.6	25.78	33.01	7.23	V
1880.0	-16.04	3.49	10.24	33.6	24.31	33.01	8.7	V
1900.0	-15.8	3.55	10.23	33.6	24.48	33.01	8.53	V
1860.0	-14.63	3.41	10.24	33.6	25.80	33.01	7.21	H
1880.0	-15.51	3.49	10.24	33.6	24.84	33.01	8.17	H
1900.0	-15.12	3.55	10.23	33.6	25.16	33.01	7.85	H

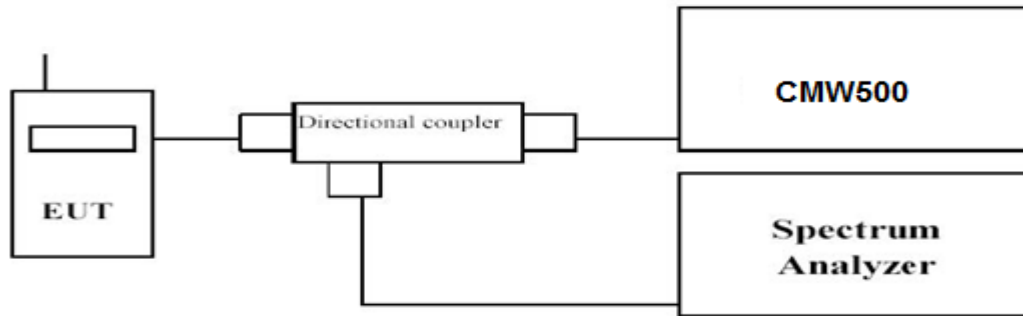


## 4.2 Peak-to-Average Ratio (PAR)

### LIMIT

The Peak-to-Average Ratio (PAR) of the transmission may not exceed 13 dB.

### TEST CONFIGURATION



### TEST PROCEDURE

1. Refer to instrument's analyzer instruction manual for details on how to use the power statistics/CCDF function;
2. Set resolution/measurement bandwidth  $\geq$  signal's occupied bandwidth;
3. Set the number of counts to a value that stabilizes the measured CCDF curve;
4. Set the measurement interval as follows:
  - 1). for continuous transmissions, set to 1 ms,
  - 2). for burst transmissions, employ an external trigger that is synchronized with the EUT burst timing sequence, or use the internal burst trigger with a trigger level that allows the burst to stabilize and set the measurement interval to a time that is less than or equal to the burst duration.
5. Record the maximum PAPR level associated with a probability of 0.1%.

### TEST RESULTS

N/A\*

Note: Test data refers to FCC ID:XMR201808EC25AF, and report number is:R1806A0301-R2V1.



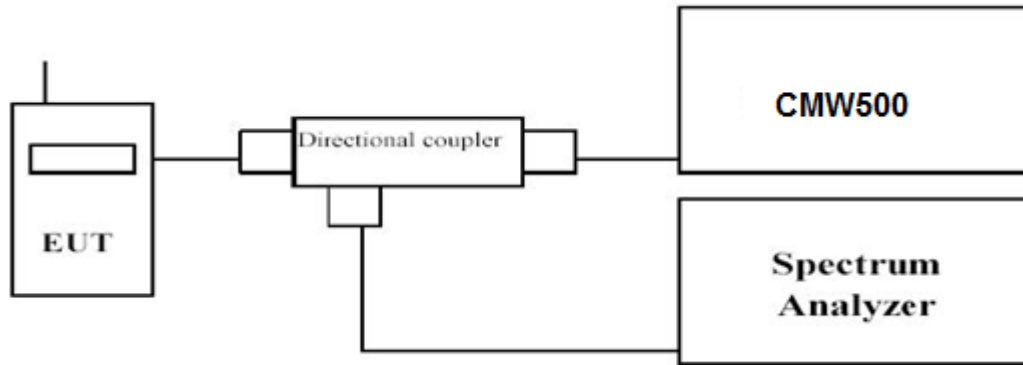


### 4.3 Occupied Bandwidth and Emission Bandwidth

#### LIMIT

N/A

#### TEST CONFIGURATION



#### TEST PROCEDURE

The transmitter output was connected to a calibrated coaxial cable and coupler, the other end of which was connected to a spectrum analyzer. The occupied bandwidth was measured with the spectrum analyzer at low, middle and high channel in each band. The -26dBc Emission bandwidth was also measured and recorded. Set RBW was set to about 1% of emission BW, VBW  $\geq$  3 times RBW. -26dBc display line was placed on the screen (or 99% bandwidth), the occupied bandwidth is the delta frequency between the two points where the display line intersects the signal trace.

#### TEST RESULTS

N/A\*

Note: Test data refers to FCC ID: XMR201808EC25AF, and report number is: R1806A0301-R2V1.

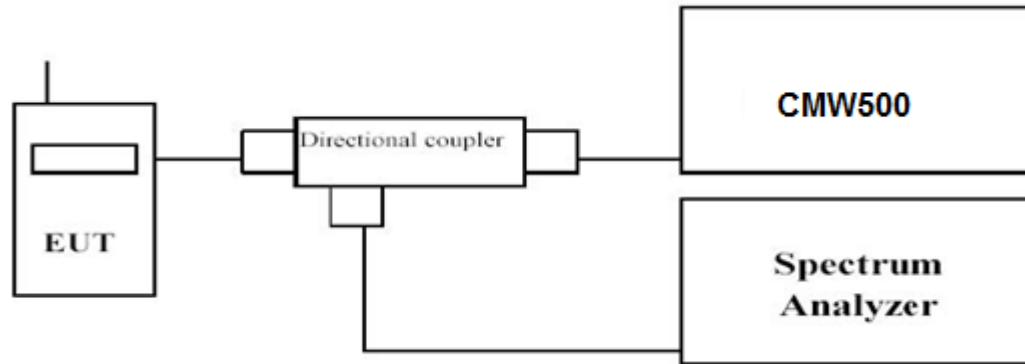


## 4.4 Band Edge compliance

### LIMIT

Per FCC §24.238 the power of any emission outside of the authorized operating frequency ranges must be attenuated below the transmitting power (P) by a factor of at least  $43 + 10\log(P)$  dB.

### TEST CONFIGURATION



### TEST PROCEDURE

1. The transmitter output port was connected to base station.
2. The RF output of EUT was connected to the power meter by RF cable and attenuator, the path loss was compensated to the results for each measurement.
3. Set EUT at maximum power through base station.
4. Select lowest and highest channels for each band and different modulation.
5. Measure Band edge using RMS (Average) detector by spectrum

### TEST RESULTS

N/A\*

Note: Test data refers to FCC ID:XMR201808EC25AF, and report number is:R1806A0301-R2V1.

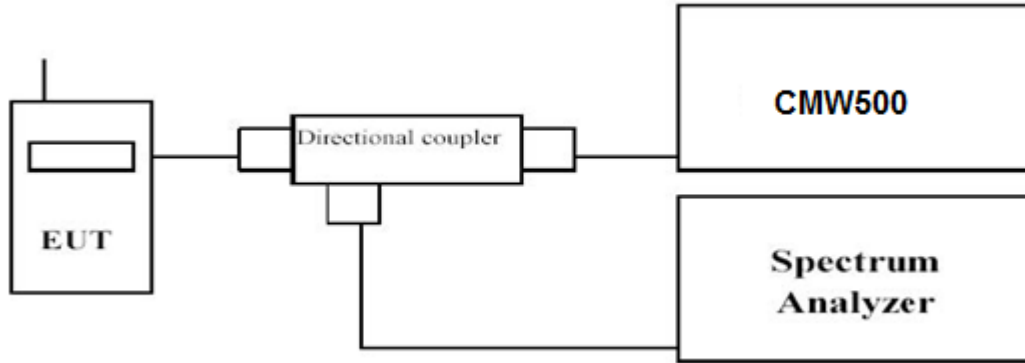


### 4.5 Spurious Emission on Antenna Port

#### LIMIT

Per FCC §24.238, the power of any emission outside of the authorized operating frequency ranges must be attenuated below the transmitting power (P) by a factor of at least  $43 + 10\log(P)$  dB.

#### TEST CONFIGURATION



#### TEST PROCEDURE

The EUT was setup according to EIA/TIA 603D

- a. Place the EUT on a bench and set it in transmitting mode.
- b. Connect a low loss RF cable from the antenna port to a spectrum analyzer and CMW500 by a Directional Couple.
- c. EUT Communicate with CMW500, then select a channel for testing.
- d. Add a correction factor to the display of spectrum, and then test.
- e. The resolution bandwidth of the spectrum analyzer was set sufficient scans were taken to show the out of band Emission if any up to 10<sup>th</sup> harmonic.
- f. Please refer to following tables for test antenna conducted emissions.

Working Frequency	Sub range (GHz)	RBW	VBW	Sweep time (s)
LTE FDD Band 2	0.01~20	1 MHz	3 MHz	Auto

#### TEST RESULTS

N/A\*

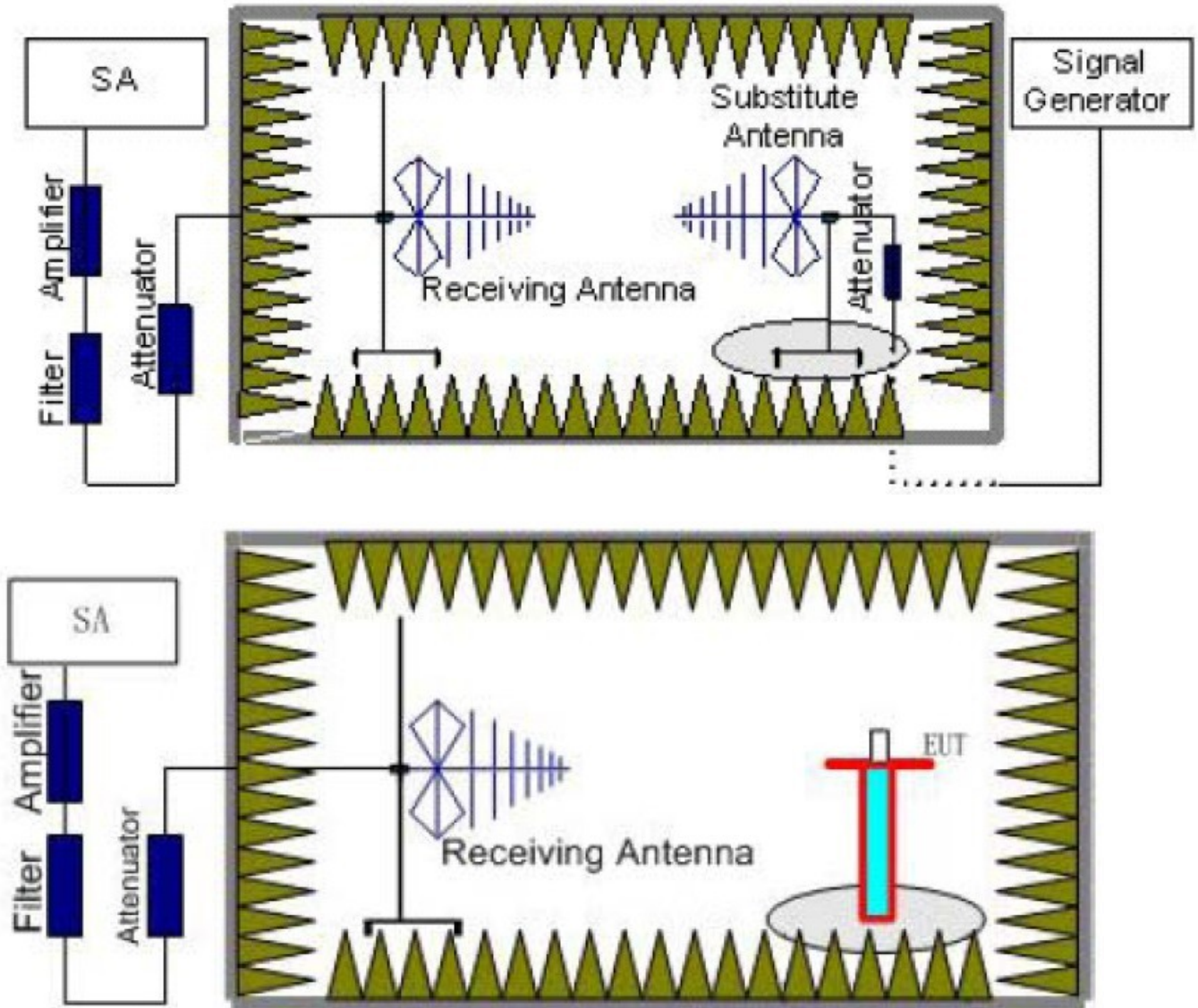
Note: Test data refers to FCC ID:XMR201808EC25AF, and report number is:R1806A0301-R2V1.

## 4.6 Radiated Spurious Emission

### TEST APPLICABLE

Per FCC §24.238, the power of any emission outside of the authorized operating frequency ranges must be attenuated below the transmitting power (P) by a factor of at least  $43 + 10\log(P)$  dB.

### TEST CONFIGURATION



### TEST PROCEDURE

1. EUT was placed on a 1.50 meter high non-conductive stand at a 3 meter test distance from the receive antenna. A receiving antenna was placed on the antenna mast 3 meters from the EUT for emission measurements. The height of receiving antenna is 1.50m. Detected emissions were maximized at each frequency by rotating the EUT through 360° and adjusting the receiving antenna polarization. The radiated emission measurements of all transmit frequencies in three channels (High, Middle, Low) were measured with peak detector.
2. A log-periodic antenna or double-ridged waveguide horn antenna shall be substituted in place of the EUT. The log-periodic antenna will be driven by a signal generator and the level will be adjusted till the same power value on the spectrum analyzer or receiver. The level of the spurious emissions can be calculated through the level of the signal generator, cable loss, the gain of the substitution antenna and the reading of the spectrum analyzer or receiver.



3. The EUT is then put into continuously transmitting mode at its maximum power level during the test. Set Test Receiver or Spectrum RBW=1MHz, VBW=3MHz, And the maximum value of the receiver should be recorded as ( $P_r$ ).
4. The EUT shall be replaced by a substitution antenna. In the chamber, an substitution antenna for the frequency band of interest is placed at the reference point of the chamber. An RF Signal source for the frequency band of interest is connected to the substitution antenna with a cable that has been constructed to not interfere with the radiation pattern of the antenna. A power ( $P_{Mea}$ ) is applied to the input of the substitution antenna, and adjust the level of the signal generator output until the value of the receiver reach the previously recorded ( $P_r$ ). The power of signal source ( $P_{Mea}$ ) is recorded. The test should be performed by rotating the test item and adjusting the receiving antenna polarization.
5. A amplifier should be connected to the Signal Source output port. And the cable should be connect between the Amplifier and the Substitution Antenna. The cable loss ( $P_{cl}$ ), the Substitution Antenna Gain ( $G_a$ ) and the Amplifier Gain ( $P_{Ag}$ ) should be recorded after test. The measurement results are obtained as described below:  
Power(EIRP)= $P_{Mea} - P_{Ag} - P_{cl} + G_a$
6. This value is EIRP since the measurement is calibrated using an antenna of known gain (2.15 dBi) and known input power.
7. ERP can be calculated from EIRP by subtracting the gain of the dipole, ERP = EIRP -2.15dBi.
8. In order to make sure test results more clearly, we set frequency range and sweep time for difference frequency range as follows table:

Working Frequency	Subrange (GHz)	RBW	VBW	Sweep time (s)
LTE FDD Band 2	0.03~1	100KHz	300KHz	10
	1~20	1 MHz	3 MHz	2

### TEST LIMITS

According to 24.238 specify that the power of any emission outside of the authorized operating frequency ranges must be attenuated below the transmitting power (P) by a factor of at least  $43 + 10 \log(P)$  dB. The specification that emissions shall be attenuated below the transmitter power (P) by at least  $43 + 10 \log(P)$  dB, translates in the relevant power range (1 to 0.001 W) to -13 dBm. At 1 W the specified minimum attenuation becomes 43 dB and relative to a 30 dBm (1 W) carrier becomes a limit of -13 dBm. At 0.001 W (0 dBm) the minimum attenuation is 13 dB, which again yields a limit of -13 dBm. In this way a translation of the specification from relative to absolute terms is carried out.

Frequency	Channel	Frequency Range	Verdict
LTE FDD Band 2	Low	30MHz -20GHz	PASS
	Middle	30MHz -20GHz	PASS
	High	30MHz -20GHz	PASS

### Radiated Measurement:

#### Remark:

1. We measured all RB Configuration refer 3GPP TS136 521 for each Channel Bandwidth of LTE FDD Band 2; recorded worst case for each Channel Bandwidth of LTE FDD Band 2.
2.  $EIRP = P_{Mea}(dBm) - P_{cl}(dB) + G_a(dBi)$
3. Not recorded other points as values lower than limits.
4. Margin = Limit – EIRP

*LTE FDD Band 2\_Channel Bandwidth 1.4MHz\_QPSK\_Low Channel*

Frequency (MHz)	P <sub>Mea</sub> (dBm)	P <sub>cl</sub> (dB)	Diatance	G <sub>a</sub> Antenna Gain(dB)	Peak EIRP (dBm)	Limit (dBm)	Margin (dB)	Polarization
3701.3	-36.5	4.39	3.00	12.34	-28.55	-13.00	15.55	H
5552.7	-41.22	5.31	3.00	13.52	-33.01	-13.00	20.01	H
3701.3	-35.13	4.39	3.00	12.34	-27.18	-13.00	14.18	V
5552.7	-43.17	5.31	3.00	13.52	-34.96	-13.00	21.96	V

*LTE FDD Band 2\_Channel Bandwidth 1.4MHz\_QPSK\_Middle Channel*

Frequency (MHz)	P <sub>Mea</sub> (dBm)	P <sub>cl</sub> (dB)	Diatance	G <sub>a</sub> Antenna Gain(dB)	Peak EIRP (dBm)	Limit (dBm)	Margin (dB)	Polarization
3759.0	-36.62	4.41	3.00	12.34	-28.69	-13.00	15.69	H
5639.3	-40.58	5.38	3.00	13.58	-32.38	-13.00	19.38	H
3759.0	-35.67	4.41	3.00	12.34	-27.74	-13.00	14.74	V
5639.3	-41.83	5.38	3.00	13.58	-33.63	-13.00	20.63	V

*LTE FDD Band 2\_Channel Bandwidth 1.4MHz\_QPSK\_High Channel*

Frequency (MHz)	P <sub>Mea</sub> (dBm)	P <sub>cl</sub> (dB)	Diatance	G <sub>a</sub> Antenna Gain(dB)	Peak EIRP (dBm)	Limit (dBm)	Margin (dB)	Polarization
3806.0	-35.66	4.45	3.00	12.45	-27.66	-13.00	14.66	H
5710.1	-40.13	5.47	3.00	13.66	-31.94	-13.00	18.94	H
3806.0	-37.12	4.45	3.00	12.45	-29.12	-13.00	16.12	V
5710.1	-40.09	5.48	3.00	13.66	-31.91	-13.00	18.91	V

*LTE FDD Band 2\_Channel Bandwidth 3MHz\_QPSK\_Low Channel*

Frequency (MHz)	P <sub>Mea</sub> (dBm)	P <sub>cl</sub> (dB)	Diatance	G <sub>a</sub> Antenna Gain(dB)	Peak EIRP (dBm)	Limit (dBm)	Margin (dB)	Polarization
3703.2	-36.13	4.39	3.00	12.34	-28.18	-13.00	15.18	H
5553.8	-40.85	5.31	3.00	13.52	-32.64	-13.00	19.64	H
3703.2	-35.46	4.39	3.00	12.34	-27.51	-13.00	14.51	V
5553.8	-42.65	5.31	3.00	13.52	-34.44	-13.00	21.44	V

*LTE FDD Band 2\_Channel Bandwidth 3MHz\_QPSK\_Middle Channel*

Frequency (MHz)	P <sub>Mea</sub> (dBm)	P <sub>cl</sub> (dB)	Diatance	G <sub>a</sub> Antenna Gain(dB)	Peak EIRP (dBm)	Limit (dBm)	Margin (dB)	Polarization
3760.4	-36.78	4.41	3.00	12.34	-28.85	-13.00	15.85	H
5639.1	-40.5	5.38	3.00	13.58	-32.3	-13.00	19.3	H
3760.4	-35.68	4.41	3.00	12.34	-27.75	-13.00	14.75	V
5639.1	-42.16	5.38	3.00	13.58	-33.96	-13.00	20.96	V

*LTE FDD Band 2\_Channel Bandwidth 3MHz\_QPSK\_High Channel*

Frequency (MHz)	P <sub>Mea</sub> (dBm)	P <sub>cl</sub> (dB)	Diatance	G <sub>a</sub> Antenna Gain(dB)	Peak EIRP (dBm)	Limit (dBm)	Margin (dB)	Polarization
3816.1	-35.57	4.45	3.00	12.45	-27.57	-13.00	14.57	H
5724.5	-39.99	5.47	3.00	13.66	-31.8	-13.00	18.8	H
3816.1	-38.1	4.45	3.00	12.45	-30.1	-13.00	17.1	V
5724.5	-40.58	5.48	3.00	13.66	-32.4	-13.00	19.4	V

*LTE FDD Band 2\_Channel Bandwidth 5MHz\_QPSK\_Low Channel*

Frequency (MHz)	P <sub>Mea</sub> (dBm)	P <sub>cl</sub> (dB)	Diatance	G <sub>a</sub> Antenna Gain(dB)	Peak EIRP (dBm)	Limit (dBm)	Margin (dB)	Polarization
3704.5	-36.69	4.39	3.00	12.34	-28.74	-13.00	15.74	H
5558.4	-41.19	5.31	3.00	13.52	-32.98	-13.00	19.98	H
3704.5	-34.55	4.39	3.00	12.34	-26.6	-13.00	13.6	V
5558.4	-42.61	5.31	3.00	13.52	-34.4	-13.00	21.4	V



*LTE FDD Band 2\_Channel Bandwidth 5MHz\_QPSK\_Middle Channel*

Frequency (MHz)	P <sub>Mea</sub> (dBm)	P <sub>cl</sub> (dB)	Diatance	G <sub>a</sub> Antenna Gain(dB)	Peak EIRP (dBm)	Limit (dBm)	Margin (dB)	Polarization
3759.2	-36.54	4.41	3.00	12.34	-28.61	-13.00	15.61	H
5639.2	-40.02	5.38	3.00	13.58	-31.82	-13.00	18.82	H
3759.2	-36.51	4.41	3.00	12.34	-28.58	-13.00	15.58	V
5639.2	-41.73	5.38	3.00	13.58	-33.53	-13.00	20.53	V

*LTE FDD Band 2\_Channel Bandwidth 5MHz\_QPSK\_High Channel*

Frequency (MHz)	P <sub>Mea</sub> (dBm)	P <sub>cl</sub> (dB)	Diatance	G <sub>a</sub> Antenna Gain(dB)	Peak EIRP (dBm)	Limit (dBm)	Margin (dB)	Polarization
3814.9	-35.68	4.45	3.00	12.45	-27.68	-13.00	14.68	H
5722.5	-39.75	5.47	3.00	13.66	-31.56	-13.00	18.56	H
3814.9	-37.57	4.45	3.00	12.45	-29.57	-13.00	16.57	V
5722.5	-40.66	5.48	3.00	13.66	-32.48	-13.00	19.48	V

*LTE FDD Band 2\_Channel Bandwidth 10MHz\_QPSK\_Low Channel*

Frequency (MHz)	P <sub>Mea</sub> (dBm)	P <sub>cl</sub> (dB)	Diatance	G <sub>a</sub> Antenna Gain(dB)	Peak EIRP (dBm)	Limit (dBm)	Margin (dB)	Polarization
3710.8	-36.98	4.39	3.00	12.34	-29.03	-13.00	16.03	H
5564.9	-41.15	5.31	3.00	13.52	-32.94	-13.00	19.94	H
3710.8	-35.12	4.39	3.00	12.34	-27.17	-13.00	14.17	V
5564.9	-43.12	5.31	3.00	13.52	-34.91	-13.00	21.91	V

*LTE FDD Band 2\_Channel Bandwidth 10MHz\_QPSK\_Middle Channel*

Frequency (MHz)	P <sub>Mea</sub> (dBm)	P <sub>cl</sub> (dB)	Diatance	G <sub>a</sub> Antenna Gain(dB)	Peak EIRP (dBm)	Limit (dBm)	Margin (dB)	Polarization
3759.8	-37.31	4.41	3.00	12.34	-29.38	-13.00	16.38	H
5639.3	-40.1	5.38	3.00	13.58	-31.9	-13.00	18.9	H
3759.8	-36.5	4.41	3.00	12.34	-28.57	-13.00	15.57	V
5639.3	-42.19	5.38	3.00	13.58	-33.99	-13.00	20.99	V

*LTE FDD Band 2\_Channel Bandwidth 10MHz\_QPSK\_High Channel*

Frequency (MHz)	P <sub>Mea</sub> (dBm)	P <sub>cl</sub> (dB)	Diatance	G <sub>a</sub> Antenna Gain(dB)	Peak EIRP (dBm)	Limit (dBm)	Margin (dB)	Polarization
3810.5	-35.62	4.45	3.00	12.45	-27.62	-13.00	14.62	H
5715.5	-40.46	5.47	3.00	13.66	-32.27	-13.00	19.27	H
3810.5	-37.95	4.45	3.00	12.45	-29.95	-13.00	16.95	V
5715.5	-40.06	5.48	3.00	13.66	-31.88	-13.00	18.88	V

*LTE FDD Band 2\_Channel Bandwidth 15MHz\_QPSK\_Low Channel*

Frequency (MHz)	P <sub>Mea</sub> (dBm)	P <sub>cl</sub> (dB)	Diatance	G <sub>a</sub> Antenna Gain(dB)	Peak EIRP (dBm)	Limit (dBm)	Margin (dB)	Polarization
3714.7	-36.96	4.39	3.00	12.34	-29.01	-13.00	16.01	H
5572.0	-41.52	5.31	3.00	13.52	-33.31	-13.00	20.31	H
3714.7	-35.19	4.39	3.00	12.34	-27.24	-13.00	14.24	V
5572.0	-42.85	5.31	3.00	13.52	-34.64	-13.00	21.64	V

*LTE FDD Band 2\_Channel Bandwidth 15MHz\_QPSK\_Middle Channel*

Frequency (MHz)	P <sub>Mea</sub> (dBm)	P <sub>cl</sub> (dB)	Diatance	G <sub>a</sub> Antenna Gain(dB)	Peak EIRP (dBm)	Limit (dBm)	Margin (dB)	Polarization
3759.1	-36.44	4.41	3.00	12.34	-28.51	-13.00	15.51	H
5639.2	-40.69	5.38	3.00	13.58	-32.49	-13.00	19.49	H
3759.1	-36.45	4.41	3.00	12.34	-28.52	-13.00	15.52	V
5639.2	-42.09	5.38	3.00	13.58	-33.89	-13.00	20.89	V

*LTE FDD Band 2\_Channel Bandwidth 15MHz\_QPSK\_High Channel*

Frequency (MHz)	P <sub>Mea</sub> (dBm)	P <sub>cl</sub> (dB)	Diatance	G <sub>a</sub> Antenna Gain(dB)	Peak EIRP (dBm)	Limit (dBm)	Margin (dB)	Polarization
3804.3	-34.8	4.45	3.00	12.45	-26.8	-13.00	13.8	H
5708.3	-40.3	5.47	3.00	13.66	-32.11	-13.00	19.11	H
3804.3	-37.97	4.45	3.00	12.45	-29.97	-13.00	16.97	V
5708.3	-40.68	5.48	3.00	13.66	-32.5	-13.00	19.5	V

*LTE FDD Band 2\_Channel Bandwidth 20MHz\_QPSK\_Low Channel*

Frequency (MHz)	P <sub>Mea</sub> (dBm)	P <sub>cl</sub> (dB)	Diatance	G <sub>a</sub> Antenna Gain(dB)	Peak EIRP (dBm)	Limit (dBm)	Margin (dB)	Polarization
3716.0	-36.18	4.39	3.00	12.34	-28.23	-13.00	15.23	H
5572.5	-41.67	5.31	3.00	13.52	-33.46	-13.00	20.46	H
3716.0	-35.14	4.39	3.00	12.34	-27.19	-13.00	14.19	V
5572.5	-43.1	5.31	3.00	13.52	-34.89	-13.00	21.89	V

*LTE FDD Band 2\_Channel Bandwidth 20MHz\_QPSK\_Middle Channel*

Frequency (MHz)	P <sub>Mea</sub> (dBm)	P <sub>cl</sub> (dB)	Diatance	G <sub>a</sub> Antenna Gain(dB)	Peak EIRP (dBm)	Limit (dBm)	Margin (dB)	Polarization
3720.0	-37.19	4.41	3.00	12.34	-29.26	-13.00	16.26	H
5580.2	-40.22	5.38	3.00	13.58	-32.02	-13.00	19.02	H
3720.0	-36.04	4.41	3.00	12.34	-28.11	-13.00	15.11	V
5580.2	-41.93	5.38	3.00	13.58	-33.73	-13.00	20.73	V

*LTE FDD Band 2\_Channel Bandwidth 20MHz\_QPSK\_High Channel*

Frequency (MHz)	P <sub>Mea</sub> (dBm)	P <sub>cl</sub> (dB)	Diatance	G <sub>a</sub> Antenna Gain(dB)	Peak EIRP (dBm)	Limit (dBm)	Margin (dB)	Polarization
3800.9	-35.6	4.45	3.00	12.45	-27.6	-13.00	14.6	H
5701.0	-40.15	5.47	3.00	13.66	-31.96	-13.00	18.96	H
3800.9	-37.91	4.45	3.00	12.45	-29.91	-13.00	16.91	V
5701.0	-40.73	5.48	3.00	13.66	-32.55	-13.00	19.55	V

*LTE FDD Band 2\_Channel Bandwidth 1.4MHz\_16QAM\_Low Channel*

Frequency (MHz)	P <sub>Mea</sub> (dBm)	P <sub>cl</sub> (dB)	Diatance	G <sub>a</sub> Antenna Gain(dB)	Peak EIRP (dBm)	Limit (dBm)	Margin (dB)	Polarization
3701.4	-36.9	4.39	3.00	12.34	-28.95	-13.00	15.95	H
5551.9	-40.84	5.31	3.00	13.52	-32.63	-13.00	19.63	H
3701.4	-34.53	4.39	3.00	12.34	-26.58	-13.00	13.58	V
5551.9	-42.64	5.31	3.00	13.52	-34.43	-13.00	21.43	V

*LTE FDD Band 2\_Channel Bandwidth 1.4MHz\_16QAM\_Middle Channel*

Frequency (MHz)	P <sub>Mea</sub> (dBm)	P <sub>cl</sub> (dB)	Diatance	G <sub>a</sub> Antenna Gain(dB)	Peak EIRP (dBm)	Limit (dBm)	Margin (dB)	Polarization
3759.1	-36.55	4.41	3.00	12.34	-28.62	-13.00	15.62	H
5640.6	-40.86	5.38	3.00	13.58	-32.66	-13.00	19.66	H
3759.1	-36.35	4.41	3.00	12.34	-28.42	-13.00	15.42	V
5640.6	-41.57	5.38	3.00	13.58	-33.37	-13.00	20.37	V

*LTE FDD Band 2\_Channel Bandwidth 1.4MHz\_16QAM\_High Channel*

Frequency (MHz)	P <sub>Mea</sub> (dBm)	P <sub>cl</sub> (dB)	Diatance	G <sub>a</sub> Antenna Gain(dB)	Peak EIRP (dBm)	Limit (dBm)	Margin (dB)	Polarization
3806.7	-35	4.45	3.00	12.45	-27	-13.00	14	H
5709.1	-40.41	5.47	3.00	13.66	-32.22	-13.00	19.22	H
3806.7	-37.87	4.45	3.00	12.45	-29.87	-13.00	16.87	V
5709.1	-40	5.48	3.00	13.66	-31.82	-13.00	18.82	V



*LTE FDD Band 2\_Channel Bandwidth 3MHz\_16QAM\_Low Channel*

Frequency (MHz)	P <sub>Mea</sub> (dBm)	P <sub>cl</sub> (dB)	Diatance	G <sub>a</sub> Antenna Gain(dB)	Peak EIRP (dBm)	Limit (dBm)	Margin (dB)	Polarization
3703.1	-36.87	4.39	3.00	12.34	-28.92	-13.00	15.92	H
5554.7	-40.96	5.31	3.00	13.52	-32.75	-13.00	19.75	H
3703.1	-35.08	4.39	3.00	12.34	-27.13	-13.00	14.13	V
5554.7	-42.84	5.31	3.00	13.52	-34.63	-13.00	21.63	V

*LTE FDD Band 2\_Channel Bandwidth 3MHz\_16QAM\_Middle Channel*

Frequency (MHz)	P <sub>Mea</sub> (dBm)	P <sub>cl</sub> (dB)	Diatance	G <sub>a</sub> Antenna Gain(dB)	Peak EIRP (dBm)	Limit (dBm)	Margin (dB)	Polarization
3761.0	-36.33	4.41	3.00	12.34	-28.4	-13.00	15.4	H
5640.9	-40.56	5.38	3.00	13.58	-32.36	-13.00	19.36	H
3761.0	-35.7	4.41	3.00	12.34	-27.77	-13.00	14.77	V
5640.9	-41.83	5.38	3.00	13.58	-33.63	-13.00	20.63	V

*LTE FDD Band 2\_Channel Bandwidth 3MHz\_16QAM\_High Channel*

Frequency (MHz)	P <sub>Mea</sub> (dBm)	P <sub>cl</sub> (dB)	Diatance	G <sub>a</sub> Antenna Gain(dB)	Peak EIRP (dBm)	Limit (dBm)	Margin (dB)	Polarization
3816.3	-34.77	4.45	3.00	12.45	-26.77	-13.00	13.77	H
5724.9	-39.9	5.47	3.00	13.66	-31.71	-13.00	18.71	H
3816.3	-37.93	4.45	3.00	12.45	-29.93	-13.00	16.93	V
5724.9	-39.95	5.48	3.00	13.66	-31.77	-13.00	18.77	V

*LTE FDD Band 2\_Channel Bandwidth 5MHz\_16QAM\_Low Channel*

Frequency (MHz)	P <sub>Mea</sub> (dBm)	P <sub>cl</sub> (dB)	Diatance	G <sub>a</sub> Antenna Gain(dB)	Peak EIRP (dBm)	Limit (dBm)	Margin (dB)	Polarization
3704.0	-36.53	4.39	3.00	12.34	-28.58	-13.00	15.58	H
5557.7	-41.05	5.31	3.00	13.52	-32.84	-13.00	19.84	H
3704.0	-34.8	4.39	3.00	12.34	-26.85	-13.00	13.85	V
5557.7	-42.23	5.31	3.00	13.52	-34.02	-13.00	21.02	V

*LTE FDD Band 2\_Channel Bandwidth 5MHz\_16QAM\_Middle Channel*

Frequency (MHz)	P <sub>Mea</sub> (dBm)	P <sub>cl</sub> (dB)	Diatance	G <sub>a</sub> Antenna Gain(dB)	Peak EIRP (dBm)	Limit (dBm)	Margin (dB)	Polarization
3759.2	-37.17	4.41	3.00	12.34	-29.24	-13.00	16.24	H
5641.0	-40.28	5.38	3.00	13.58	-32.08	-13.00	19.08	H
3759.2	-35.72	4.41	3.00	12.34	-27.79	-13.00	14.79	V
5641.0	-41.57	5.38	3.00	13.58	-33.37	-13.00	20.37	V

*LTE FDD Band 2\_Channel Bandwidth 5MHz\_16QAM\_High Channel*

Frequency (MHz)	P <sub>Mea</sub> (dBm)	P <sub>cl</sub> (dB)	Diatance	G <sub>a</sub> Antenna Gain(dB)	Peak EIRP (dBm)	Limit (dBm)	Margin (dB)	Polarization
3815.1	-35.47	4.45	3.00	12.45	-27.47	-13.00	14.47	H
5723.0	-40.25	5.47	3.00	13.66	-32.06	-13.00	19.06	H
3815.1	-37.68	4.45	3.00	12.45	-29.68	-13.00	16.68	V
5723.0	-40.74	5.48	3.00	13.66	-32.56	-13.00	19.56	V

*LTE FDD Band 2\_Channel Bandwidth 10MHz\_16QAM\_Low Channel*

Frequency (MHz)	P <sub>Mea</sub> (dBm)	P <sub>cl</sub> (dB)	Diatance	G <sub>a</sub> Antenna Gain(dB)	Peak EIRP (dBm)	Limit (dBm)	Margin (dB)	Polarization
3710.1	-36.61	4.39	3.00	12.34	-28.66	-13.00	15.66	H
5564.9	-40.82	5.31	3.00	13.52	-32.61	-13.00	19.61	H
3710.1	-35.06	4.39	3.00	12.34	-27.11	-13.00	14.11	V
5564.9	-42.84	5.31	3.00	13.52	-34.63	-13.00	21.63	V

*LTE FDD Band 2\_Channel Bandwidth 10MHz\_16QAM\_Middle Channel*

Frequency (MHz)	P <sub>Mea</sub> (dBm)	P <sub>cl</sub> (dB)	Diatance	G <sub>a</sub> Antenna Gain(dB)	Peak EIRP (dBm)	Limit (dBm)	Margin (dB)	Polarization
3759.7	-37.15	4.41	3.00	12.34	-29.22	-13.00	16.22	H
5640.8	-39.88	5.38	3.00	13.58	-31.68	-13.00	18.68	H
3759.7	-35.62	4.41	3.00	12.34	-27.69	-13.00	14.69	V
5640.8	-41.69	5.38	3.00	13.58	-33.49	-13.00	20.49	V

*LTE FDD Band 2\_Channel Bandwidth 10MHz\_16QAM\_High Channel*

Frequency (MHz)	P <sub>Mea</sub> (dBm)	P <sub>cl</sub> (dB)	Diatance	G <sub>a</sub> Antenna Gain(dB)	Peak EIRP (dBm)	Limit (dBm)	Margin (dB)	Polarization
3810.6	-34.9	4.45	3.00	12.45	-26.9	-13.00	13.9	H
5714.5	-40.29	5.47	3.00	13.66	-32.1	-13.00	19.1	H
3810.6	-37.13	4.45	3.00	12.45	-29.13	-13.00	16.13	V
5714.5	-39.84	5.48	3.00	13.66	-31.66	-13.00	18.66	V

*LTE FDD Band 2\_Channel Bandwidth 15MHz\_16QAM\_Low Channel*

Frequency (MHz)	P <sub>Mea</sub> (dBm)	P <sub>cl</sub> (dB)	Diatance	G <sub>a</sub> Antenna Gain(dB)	Peak EIRP (dBm)	Limit (dBm)	Margin (dB)	Polarization
3714.5	-36.9	4.39	3.00	12.34	-28.95	-13.00	15.95	H
5571.8	-41.45	5.31	3.00	13.52	-33.24	-13.00	20.24	H
3714.5	-34.75	4.39	3.00	12.34	-26.8	-13.00	13.8	V
5571.8	-42.35	5.31	3.00	13.52	-34.14	-13.00	21.14	V

*LTE FDD Band 2\_Channel Bandwidth 15MHz\_16QAM\_Middle Channel*

Frequency (MHz)	P <sub>Mea</sub> (dBm)	P <sub>cl</sub> (dB)	Diatance	G <sub>a</sub> Antenna Gain(dB)	Peak EIRP (dBm)	Limit (dBm)	Margin (dB)	Polarization
3759.0	-36.63	4.41	3.00	12.34	-28.7	-13.00	15.7	H
5640.3	-40.11	5.38	3.00	13.58	-31.91	-13.00	18.91	H
3759.0	-36.54	4.41	3.00	12.34	-28.61	-13.00	15.61	V
5640.3	-41.94	5.38	3.00	13.58	-33.74	-13.00	20.74	V

*LTE FDD Band 2\_Channel Bandwidth 15MHz\_16QAM\_High Channel*

Frequency (MHz)	P <sub>Mea</sub> (dBm)	P <sub>cl</sub> (dB)	Diatance	G <sub>a</sub> Antenna Gain(dB)	Peak EIRP (dBm)	Limit (dBm)	Margin (dB)	Polarization
3805.5	-35.17	4.45	3.00	12.45	-27.17	-13.00	14.17	H
5706.9	-40.44	5.47	3.00	13.66	-32.25	-13.00	19.25	H
3805.5	-37.17	4.45	3.00	12.45	-29.17	-13.00	16.17	V
5706.9	-40.25	5.48	3.00	13.66	-32.07	-13.00	19.07	V

*LTE FDD Band 2\_Channel Bandwidth 20MHz\_16QAM\_Low Channel*

Frequency (MHz)	P <sub>Mea</sub> (dBm)	P <sub>cl</sub> (dB)	Diatance	G <sub>a</sub> Antenna Gain(dB)	Peak EIRP (dBm)	Limit (dBm)	Margin (dB)	Polarization
3715.0	-36.97	4.39	3.00	12.34	-29.02	-13.00	16.02	H
5572.7	-40.84	5.31	3.00	13.52	-32.63	-13.00	19.63	H
3715.0	-35.19	4.39	3.00	12.34	-27.24	-13.00	14.24	V
5572.7	-42.72	5.31	3.00	13.52	-34.51	-13.00	21.51	V

*LTE FDD Band 2\_Channel Bandwidth 20MHz\_16QAM\_Middle Channel*

Frequency (MHz)	P <sub>Mea</sub> (dBm)	P <sub>cl</sub> (dB)	Diatance	G <sub>a</sub> Antenna Gain(dB)	Peak EIRP (dBm)	Limit (dBm)	Margin (dB)	Polarization
3720.8	-37.19	4.41	3.00	12.34	-29.26	-13.00	16.26	H
5580.5	-39.88	5.38	3.00	13.58	-31.68	-13.00	18.68	H
3720.8	-36.02	4.41	3.00	12.34	-28.09	-13.00	15.09	V
5580.5	-41.93	5.38	3.00	13.58	-33.73	-13.00	20.73	V

*LTE FDD Band 2\_Channel Bandwidth 20MHz\_16QAM\_High Channel*

Frequency (MHz)	P <sub>Mea</sub> (dBm)	P <sub>cl</sub> (dB)	Diatance	G <sub>a</sub> Antenna Gain(dB)	Peak EIRP (dBm)	Limit (dBm)	Margin (dB)	Polarization
3799.0	-35.49	4.45	3.00	12.45	-27.49	-13.00	14.49	H
5700.6	-40.14	5.47	3.00	13.66	-31.95	-13.00	18.95	H
3799.0	-37.85	4.45	3.00	12.45	-29.85	-13.00	16.85	V
5700.6	-40.77	5.48	3.00	13.66	-32.59	-13.00	19.59	V

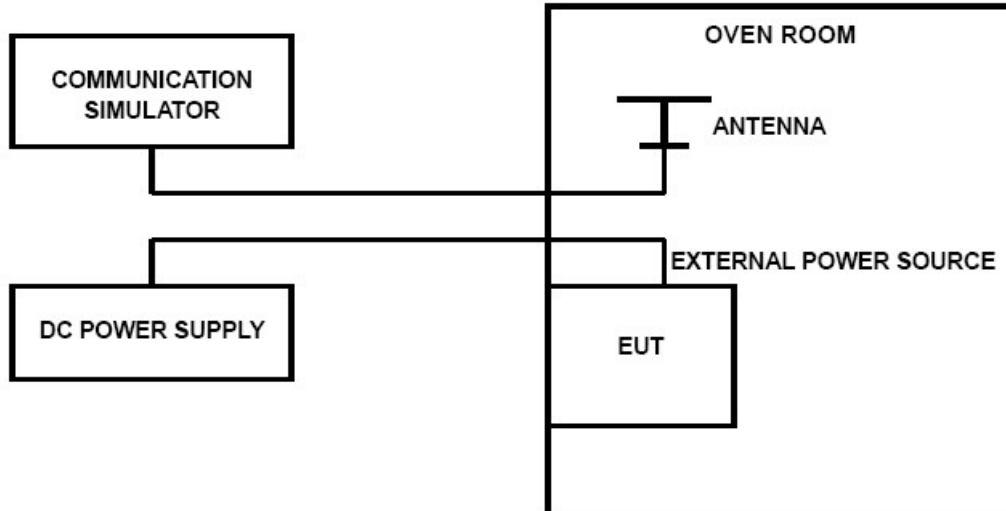


## 4.7 Frequency Stability

### LIMIT

According to §24.235, §2.1055 requirement, the frequency stability shall be sufficient to ensure that the fundamental emissions stay within the authorized bands of operation and should not exceed 2.5ppm.

### TEST CONFIGURATION



### TEST PROCEDURE

The EUT was setup according to EIA/TIA 603D

#### **Frequency Stability Under Temperature Variations:**

In order to measure the carrier frequency under the condition of AFC lock, it is necessary to make measurements with the EUT in a “call mode”. This is accomplished with the use of R&S CMW500 DIGITAL RADIO COMMUNICATION TESTER.

1. Measure the carrier frequency at room temperature.
2. Subject the EUT to overnight soak at -30°C.
3. With the EUT, powered via nominal voltage, connected to the CMW500 and in a simulated call on middle channel for LTE band 2, measure the carrier frequency. These measurements should be made within 2 minutes of Powering up the EUT, to prevent significant self-warming.
4. Repeat the above measurements at 10°C increments from -30°C to +50°C. Allow at least 1.5 hours at each temperature, unpowered, before making measurements.
5. Re-measure carrier frequency at room temperature with nominal voltage. Vary supply voltage from minimum voltage to maximum voltage, in 0.1Volt increments re-measuring carrier frequency at each voltage. Pause at nominal voltage for 1.5 hours unpowered, to allow any self-heating to stabilize, before continuing.
6. Subject the EUT to overnight soak at +50°C.
7. With the EUT, powered via nominal voltage, connected to the CMW500 and in a simulated call on the centre channel, measure the carrier frequency. These measurements should be made within 2 minutes of Powering up the EUT, to prevent significant self-warming.
8. Repeat the above measurements at 10 °C increments from +50°C to -30°C. Allow at least 1.5 hours at each temperature, unpowered, before making measurements
9. At all temperature levels hold the temperature to +/- 0.5°C during the measurement procedure.

#### **Frequency Stability Under Voltage Variations:**

Set chamber temperature to 20°C. Use a variable AC power supply / DC power source to power the EUT and set the voltage to rated voltage. Set the spectrum analyzer RBW low enough to obtain the desired frequency resolution and recorded the frequency.

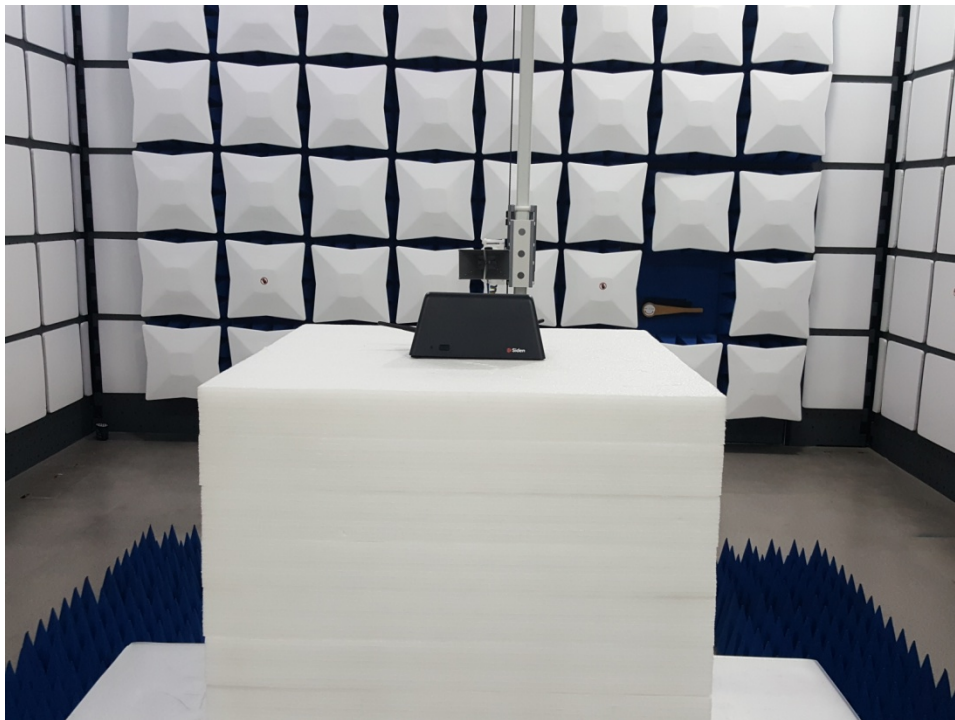
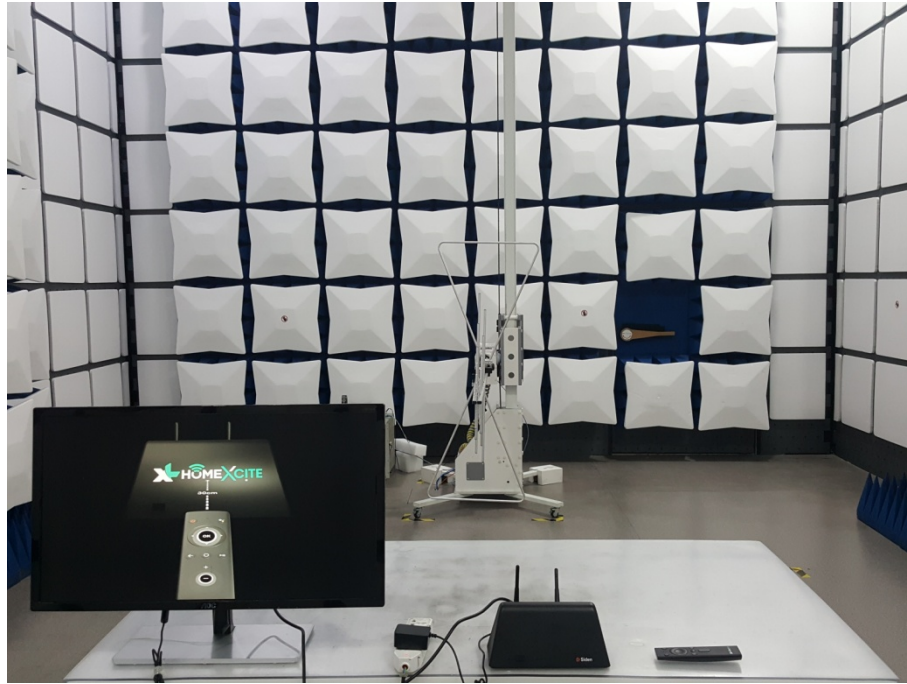
Reduce the input voltage to specify extreme voltage variation (±15%) and endpoint, record the maximum frequency change.

### TEST RESULTS

N/A\*

Note: Test data refers to FCC ID:XMR201808EC25AF, and report number is:R1806A0301-R2V1.

## 5 Test Setup Photos of the EUT



\*\*\*\*\*End of Report\*\*\*\*\*