

## ANNEX B SYSTEM VALIDATION RESULTS

### 750 MHz

Date: 10/18/2022

Electronics: DAE4 Sn777

Medium: H700-6000M

Medium parameters used:  $f = 750$  MHz;  $\sigma = 0.849$  S/m;  $\epsilon_r = 43.21$ ;  $\rho = 1000$  kg/m<sup>3</sup>

Ambient Temperature: 23.3°C      Liquid Temperature: 22.5°C

Communication System: UID 0, CW (0) Frequency: 750 MHz Duty Cycle: 1:1

Probe: EX3DV4 - SN7600 ConvF(10.74, 10.74, 10.74)

System Performance Check/d=15mm, Pin=250 mW, dist=2.0mm (EX-Probe)/Area Scan (61x141x1):

Interpolated grid: dx=1.500 mm, dy=1.500 mm

Maximum value of SAR (interpolated) = 2.78 W/kg

System Performance Check/d=15mm, Pin=250 mW, dist=2.0mm (EX-Probe)/Zoom Scan (7x7x7)

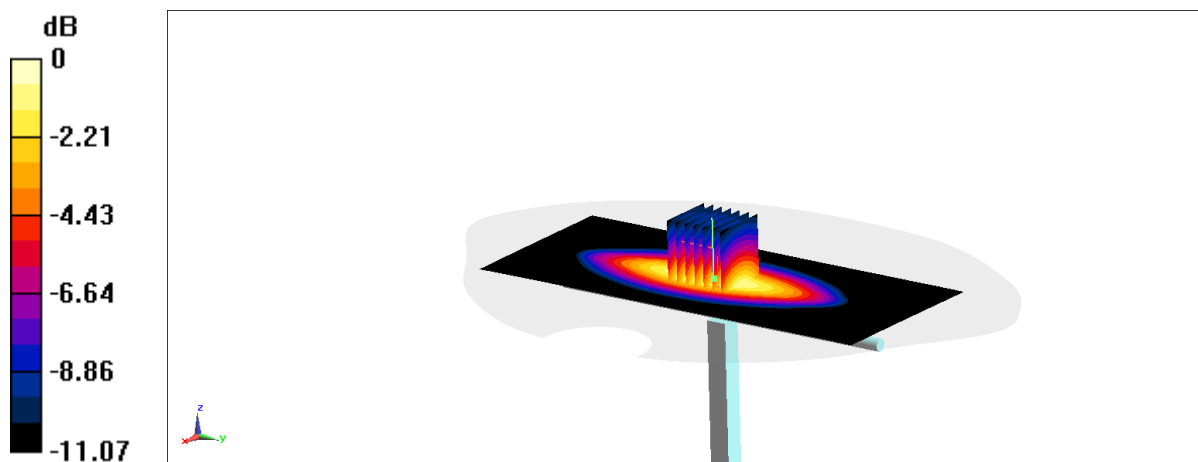
(7x7x7)/Cube 0: Measurement grid: dx=5mm, dy=5mm, dz=5mm

Reference Value = 58.28 V/m; Power Drift = -0.11 dB

Peak SAR (extrapolated) = 3.69 W/kg

SAR(1 g) = 2.24 W/kg; SAR(10 g) = 1.37 W/kg

Maximum value of SAR (measured) = 2.99 W/kg



0 dB = 2.99 W/kg = 4.76 dBW/kg

## 835 MHz

Date: 10/19/2022

Electronics: DAE4 Sn777

Medium: H700-6000

Medium parameters used:  $f = 835$  MHz;  $\sigma = 0.876$  S/m;  $\epsilon_r = 43$ ;  $\rho = 1000$  kg/m<sup>3</sup>

Ambient Temperature: 23.3°C      Liquid Temperature: 22.5°C

Communication System: UID 0, CW (0) Frequency: 835 MHz Duty Cycle: 1:1

Probe: EX3DV4 - SN7600 ConvF(10.74, 10.74, 10.74)

System Performance Check/d=15mm, Pin=250 mW, dist=2.0mm (EX-Probe)/Area Scan (61x121x1):

Interpolated grid: dx=1.500 mm, dy=1.500 mm

Maximum value of SAR (interpolated) = 2.88 W/kg

System Performance Check/d=15mm, Pin=250 mW, dist=2.0mm (EX-Probe)/Zoom Scan (7x7x7)

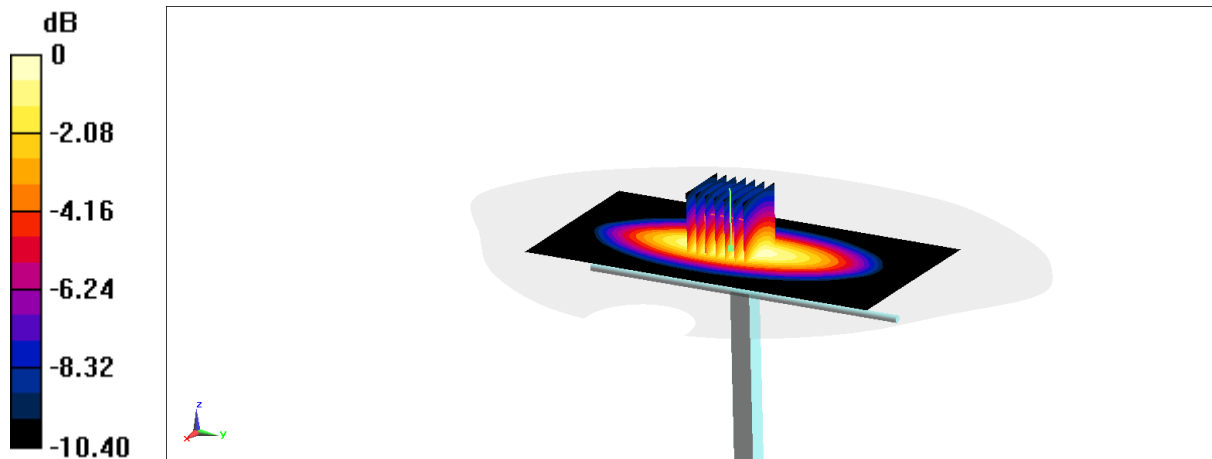
(7x7x7)/Cube 0: Measurement grid: dx=5mm, dy=5mm, dz=5mm

Reference Value = 57.18 V/m; Power Drift = -0.12 dB

Peak SAR (extrapolated) = 3.42 W/kg

SAR(1 g) = 2.3 W/kg; SAR(10 g) = 1.55 W/kg

Maximum value of SAR (measured) = 2.90 W/kg



0 dB = 2.90 W/kg = 4.62 dBW/kg

## 1750 MHz

Date: 10/21/2022

Electronics: DAE4 Sn777

Medium: H700-6000M

Medium parameters used:  $f = 1750$  MHz;  $\sigma = 1.381$  S/m;  $\epsilon_r = 40.94$ ;  $\rho = 1000$  kg/m<sup>3</sup>

Ambient Temperature: 23.3°C      Liquid Temperature: 22.5°C

Communication System: UID 0, CW Frequency: 1750 MHz Duty Cycle: 1:1

Probe: EX3DV4 - SN7600 ConvF(8.93, 8.93, 8.93)

System Performance Check/d=10mm, Pin=250 mW, dist=2.0mm (EX-Probe)/Area Scan (61x81x1):

Interpolated grid: dx=1.500 mm, dy=1.500 mm

Maximum value of SAR (interpolated) = 13.0 W/kg

System Performance Check/d=10mm, Pin=250 mW, dist=2.0mm (EX-Probe)/Zoom Scan (7x7x7)

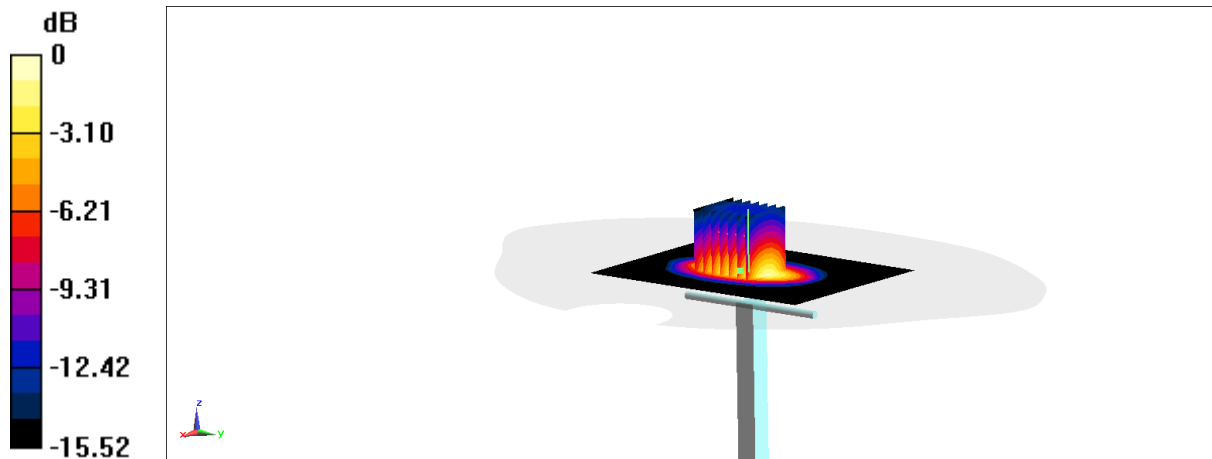
(7x7x7)/Cube 0: Measurement grid: dx=5mm, dy=5mm, dz=5mm

Reference Value = 97.02 V/m; Power Drift = -0.11 dB

Peak SAR (extrapolated) = 15.6 W/kg

SAR(1 g) = 9.19 W/kg; SAR(10 g) = 5.1 W/kg

Maximum value of SAR (measured) = 12.7 W/kg



0 dB = 12.7 W/kg = 11.04 dBW/kg

## 1750 MHz

Date: 10/24/2022

Electronics: DAE4 Sn777

Medium: H700-6000M

Medium parameters used:  $f = 1750$  MHz;  $\sigma = 1.34$  S/m;  $\epsilon_r = 41.37$ ;  $\rho = 1000$  kg/m<sup>3</sup>

Ambient Temperature: 23.3°C      Liquid Temperature: 22.5°C

Communication System: UID 0, CW Frequency: 1750 MHz Duty Cycle: 1:1

Probe: EX3DV4 - SN7600 ConvF(8.93, 8.93, 8.93)

System Performance Check/d=10mm, Pin=250 mW, dist=2.0mm (EX-Probe)/Area Scan (61x81x1):

Interpolated grid: dx=1.500 mm, dy=1.500 mm

Maximum value of SAR (interpolated) = 13.1 W/kg

System Performance Check/d=10mm, Pin=250 mW, dist=2.0mm (EX-Probe)/Zoom Scan (7x7x7)

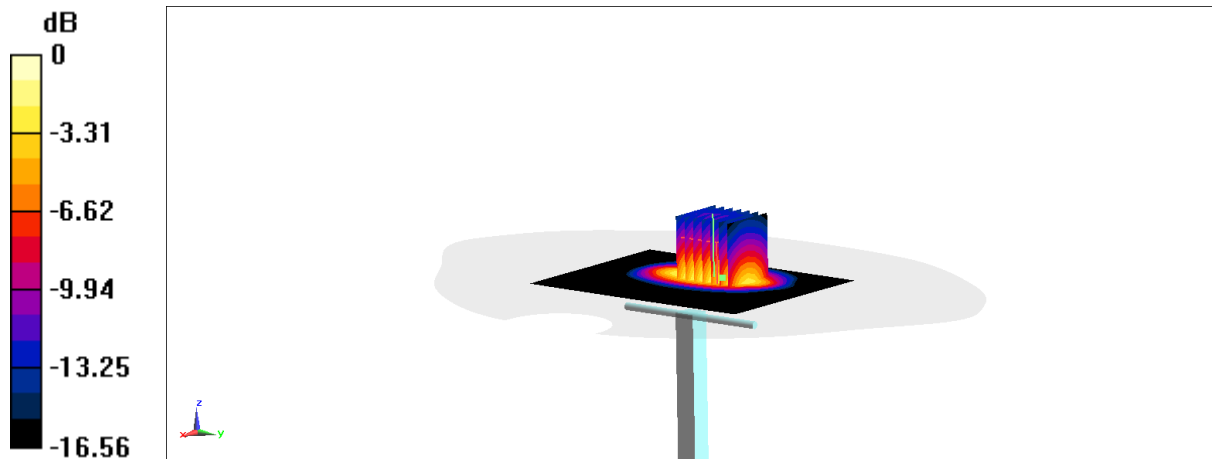
(7x7x7)/Cube 0: Measurement grid: dx=5mm, dy=5mm, dz=5mm

Reference Value = 59.01 V/m; Power Drift = 0.07 dB

Peak SAR (extrapolated) = 15.8 W/kg

SAR(1 g) = 9.28 W/kg; SAR(10 g) = 5.11 W/kg

Maximum value of SAR (measured) = 12.9 W/kg



0 dB = 12.9 W/kg = 11.11 dBW/kg

## 1750 MHz

Date: 10/18/2022

Electronics: DAE4 Sn1331

Medium: H700-6000

Medium parameters used:  $f = 1750$  MHz;  $\sigma = 1.346$  S/m;  $\epsilon_r = 41.58$ ;  $\rho = 1000$  kg/m<sup>3</sup>

Ambient Temperature: 23.3°C      Liquid Temperature: 22.5°C

Communication System: UID 0, CW Frequency: 1750 MHz Duty Cycle: 1:1

Probe: EX3DV4 - SN7548 ConvF(8.13, 8.13, 8.13)

System Performance Check/d=10mm, Pin=250 mW, dist=2.0mm (EX-Probe)/Area Scan (61x81x1):

Interpolated grid: dx=1.500 mm, dy=1.500 mm

Maximum value of SAR (interpolated) = 13.3 W/kg

System Performance Check/d=10mm, Pin=250 mW, dist=2.0mm (EX-Probe)/Zoom Scan (7x7x7)

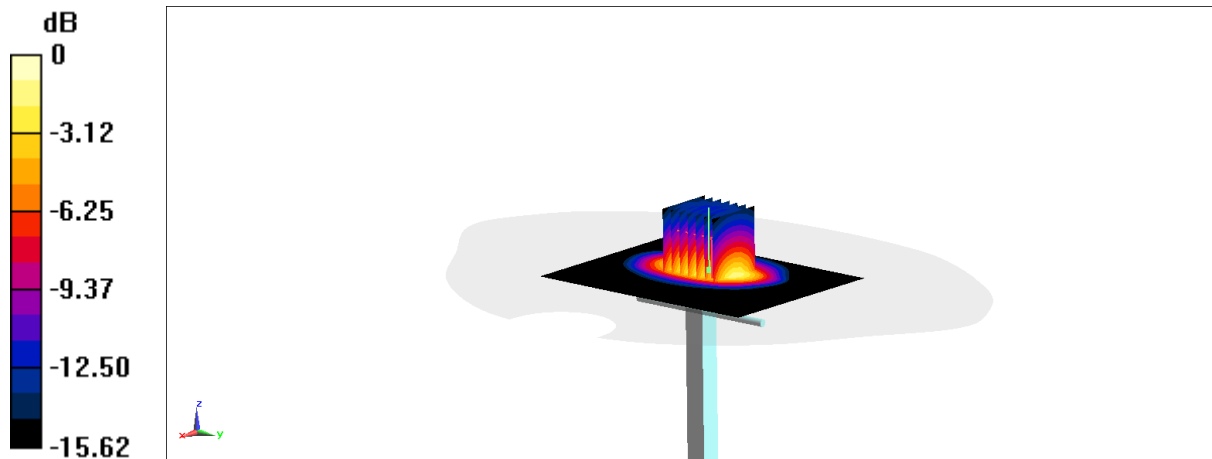
(7x7x7)/Cube 0: Measurement grid: dx=5mm, dy=5mm, dz=5mm

Reference Value = 66.59 V/m; Power Drift = 0.07 dB

Peak SAR (extrapolated) = 15.8 W/kg

SAR(1 g) = 9.18 W/kg; SAR(10 g) = 5.1 W/kg

Maximum value of SAR (measured) = 12.7 W/kg



0 dB = 12.7 W/kg = 11.04 dBW/kg

## 1900 MHz

Date: 10/20/2022

Electronics: DAE4 Sn777

Medium: H700-6000M

Medium parameters used:  $f = 1900$  MHz;  $\sigma = 1.411$  S/m;  $\epsilon_r = 40.54$ ;  $\rho = 1000$  kg/m<sup>3</sup>

Ambient Temperature: 23.3°C      Liquid Temperature: 22.5°C

Communication System: UID 0, CW (0) Frequency: 1900 MHz Duty Cycle: 1:1

Probe: EX3DV4 - SN7600 ConvF(8.54, 8.54, 8.54)

System Performance Check/d=10mm, Pin=250 mW, dist=2.0mm (EX-Probe)/Area Scan (61x81x1):

Interpolated grid: dx=1.500 mm, dy=1.500 mm

Maximum value of SAR (interpolated) = 14.2 W/kg

System Performance Check/d=10mm, Pin=250 mW, dist=2.0mm (EX-Probe)/Zoom Scan (7x7x7)

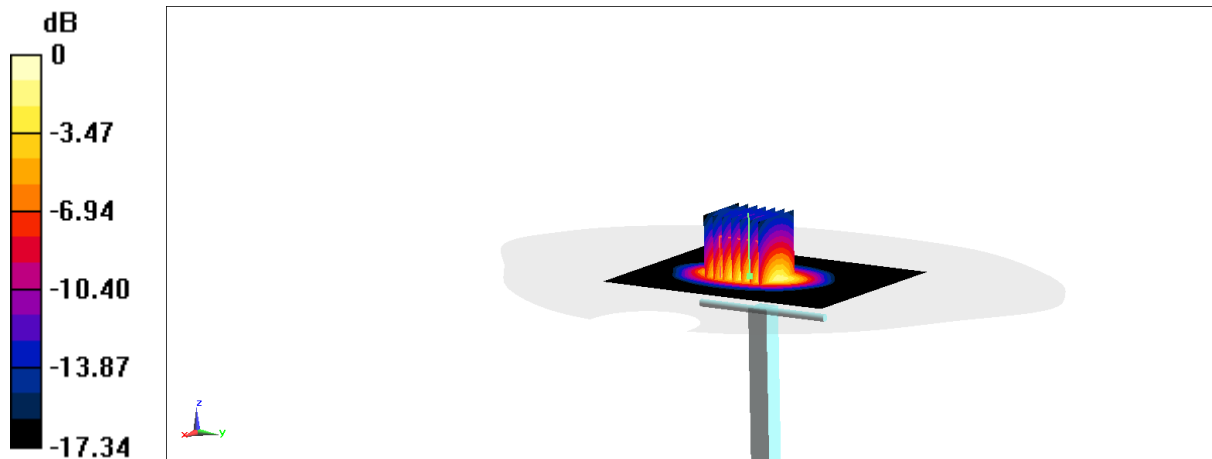
(7x7x7)/Cube 0: Measurement grid: dx=5mm, dy=5mm, dz=5mm

Reference Value = 97.06 V/m; Power Drift = -0.11 dB

Peak SAR (extrapolated) = 17.0 W/kg

SAR(1 g) = 9.59 W/kg; SAR(10 g) = 5.1 W/kg

Maximum value of SAR (measured) = 13.6 W/kg



0 dB = 13.6 W/kg = 11.34 dBW/kg

## 1900 MHz

Date: 10/22/2022

Electronics: DAE4 Sn777

Medium: H700-6000M

Medium parameters used:  $f = 1900$  MHz;  $\sigma = 1.426$  S/m;  $\epsilon_r = 40.96$ ;  $\rho = 1000$  kg/m<sup>3</sup>

Ambient Temperature: 23.3°C      Liquid Temperature: 22.5°C

Communication System: UID 0, CW (0) Frequency: 1900 MHz Duty Cycle: 1:1

Probe: EX3DV4 - SN7600 ConvF(8.54, 8.54, 8.54)

System Performance Check/d=10mm, Pin=250 mW, dist=2.0mm (EX-Probe)/Area Scan (61x81x1):

Interpolated grid: dx=1.500 mm, dy=1.500 mm

Maximum value of SAR (interpolated) = 14.4 W/kg

System Performance Check/d=10mm, Pin=250 mW, dist=2.0mm (EX-Probe)/Zoom Scan (7x7x7)

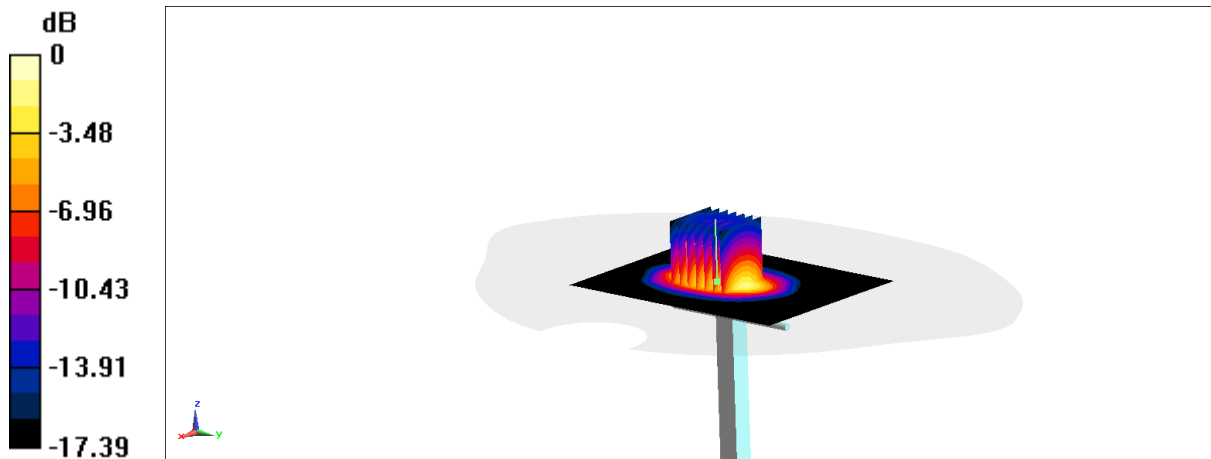
(7x7x7)/Cube 0: Measurement grid: dx=5mm, dy=5mm, dz=5mm

Reference Value = 97.88 V/m; Power Drift = -0.11 dB

Peak SAR (extrapolated) = 17.3 W/kg

SAR(1 g) = 9.71 W/kg; SAR(10 g) = 5.14 W/kg

Maximum value of SAR (measured) = 13.8 W/kg



0 dB = 13.8 W/kg = 11.40 dBW/kg

## 1900 MHz

Date: 10/17/2022

Electronics: DAE4 Sn777

Medium: H700-6000M

Medium parameters used:  $f = 1900$  MHz;  $\sigma = 1.433$  S/m;  $\epsilon_r = 41.17$ ;  $\rho = 1000$  kg/m<sup>3</sup>

Ambient Temperature: 23.3°C      Liquid Temperature: 22.5°C

Communication System: UID 0, CW (0) Frequency: 1900 MHz Duty Cycle: 1:1

Probe: EX3DV4 - SN7600 ConvF(8.54, 8.54, 8.54)

System Performance Check/d=10mm, Pin=250 mW, dist=2.0mm (EX-Probe)/Area Scan (61x81x1):

Interpolated grid: dx=1.500 mm, dy=1.500 mm

Maximum value of SAR (interpolated) = 14.6 W/kg

System Performance Check/d=10mm, Pin=250 mW, dist=2.0mm (EX-Probe)/Zoom Scan (7x7x7)

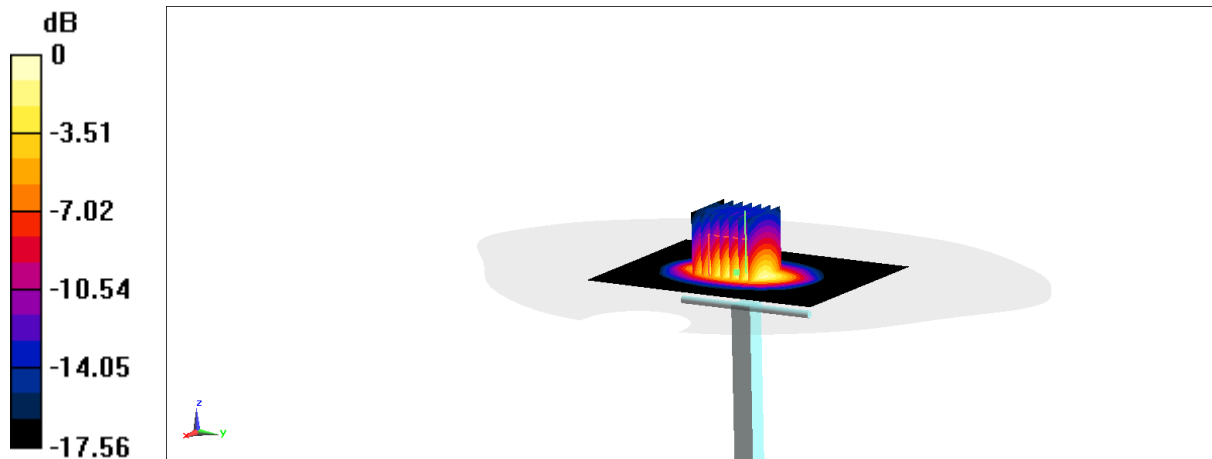
(7x7x7)/Cube 0: Measurement grid: dx=5mm, dy=5mm, dz=5mm

Reference Value = 99.98 V/m; Power Drift = -0.12 dB

Peak SAR (extrapolated) = 18.2 W/kg

SAR(1 g) = 10.1 W/kg; SAR(10 g) = 5.37 W/kg

Maximum value of SAR (measured) = 14.2 W/kg



0 dB = 14.2 W/kg = 11.52 dBW/kg



## 2450 MHz

Date: 11/8/2022

Electronics: DAE4 Sn1556

Medium: H700-6000M

Medium parameters used:  $f = 2450$  MHz;  $\sigma = 1.868$  S/m;  $\epsilon_r = 39.7$ ;  $\rho = 1000$  kg/m<sup>3</sup>

Ambient Temperature: 23.3°C      Liquid Temperature: 22.5°C

Communication System: UID 0, CW (0) Frequency: 2450 MHz Duty Cycle: 1:1

Probe: EX3DV4 - SN7464 ConvF(7.77, 7.77, 7.77)

System Performance Check/d=10mm, Pin=250 mW, dist=2.0mm (EX-Probe)/Area Scan (81x91x1):

Interpolated grid: dx=1.200 mm, dy=1.200 mm

Maximum value of SAR (interpolated) = 22.1 W/kg

System Performance Check/d=10mm, Pin=250 mW, dist=2.0mm (EX-Probe)/Zoom Scan (7x7x7)

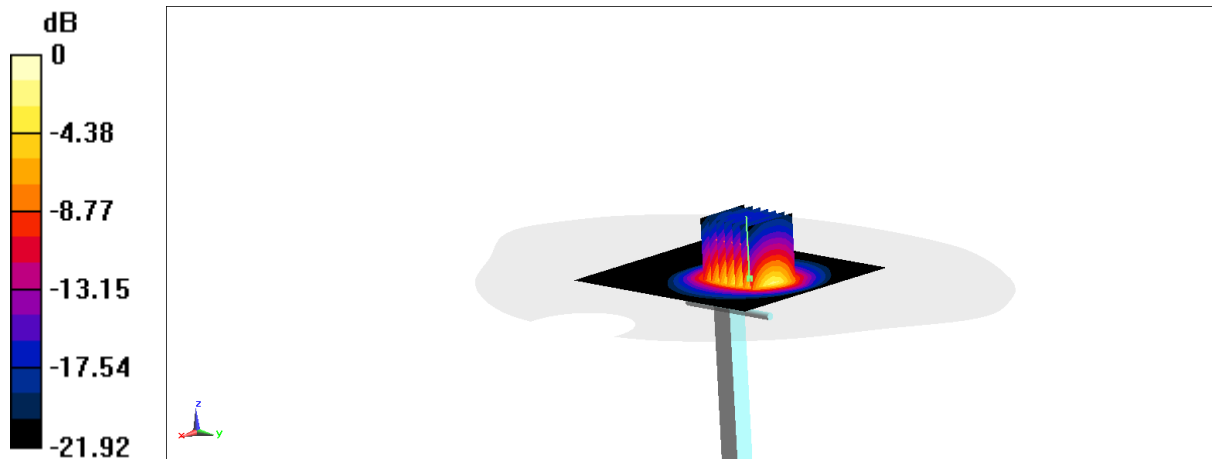
(7x7x7)/Cube 0: Measurement grid: dx=5mm, dy=5mm, dz=5mm

Reference Value = 85.02 V/m; Power Drift = 0.17 dB

Peak SAR (extrapolated) = 28.3 W/kg

SAR(1 g) = 13.7 W/kg; SAR(10 g) = 6.4 W/kg

Maximum value of SAR (measured) = 21.1 W/kg



0 dB = 21.1 W/kg = 13.24 dBW/kg

## 2600 MHz

Date: 10/23/2022

Electronics: DAE4 Sn777

Medium: H700-6000M

Medium parameters used:  $f = 2600$  MHz;  $\sigma = 1.982$  S/m;  $\epsilon_r = 39.32$ ;  $\rho = 1000$  kg/m<sup>3</sup>

Ambient Temperature: 23.3°C      Liquid Temperature: 22.5°C

Communication System: UID 0, CW (0) Frequency: 2600 MHz Duty Cycle: 1:1

Probe: EX3DV4 - SN7600 ConvF(7.62, 7.62, 7.62)

System Performance Check/d=10mm, Pin=250 mW, dist=2.0mm (EX-Probe)/Area Scan (81x91x1):

Interpolated grid: dx=1.200 mm, dy=1.200 mm

Maximum value of SAR (interpolated) = 23.8 W/kg

System Performance Check/d=10mm, Pin=250 mW, dist=2.0mm (EX-Probe)/Zoom Scan (7x7x7)

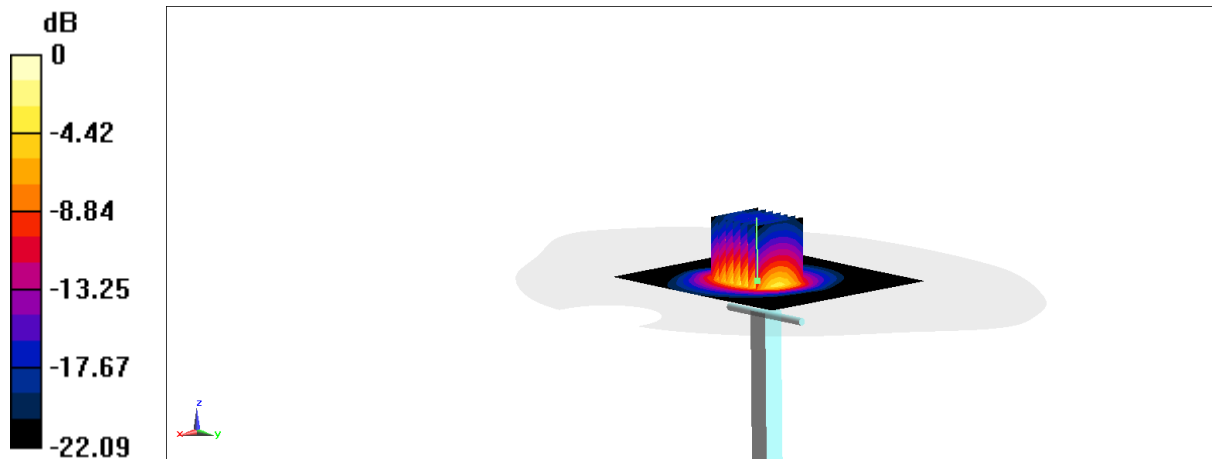
(7x7x7)/Cube 0: Measurement grid: dx=5mm, dy=5mm, dz=5mm

Reference Value = 99.86 V/m; Power Drift = -0.11 dB

Peak SAR (extrapolated) = 30.1 W/kg

SAR(1 g) = 14.8 W/kg; SAR(10 g) = 6.78 W/kg

Maximum value of SAR (measured) = 22.6 W/kg



0 dB = 22.6 W/kg = 13.54 dBW/kg

## 2600 MHz

Date: 11/9/2022

Electronics: DAE4 Sn1588

Medium: H700-6000M

Medium parameters used:  $f = 2600$  MHz;  $\sigma = 1.923$  S/m;  $\epsilon_r = 39.73$ ;  $\rho = 1000$  kg/m<sup>3</sup>

Ambient Temperature: 23.3°C      Liquid Temperature: 22.5°C

Communication System: UID 0, CW (0) Frequency: 2600 MHz Duty Cycle: 1:1

Probe: EX3DV4 - SN3617 ConvF(7.4, 7.4, 7.4)

System Performance Check/d=10mm, Pin=250 mW, dist=2.0mm (EX-Probe)/Area Scan (81x91x1):

Interpolated grid: dx=1.200 mm, dy=1.200 mm

Maximum value of SAR (interpolated) = 23.4 W/kg

System Performance Check/d=10mm, Pin=250 mW, dist=2.0mm (EX-Probe)/Zoom Scan (7x7x7)

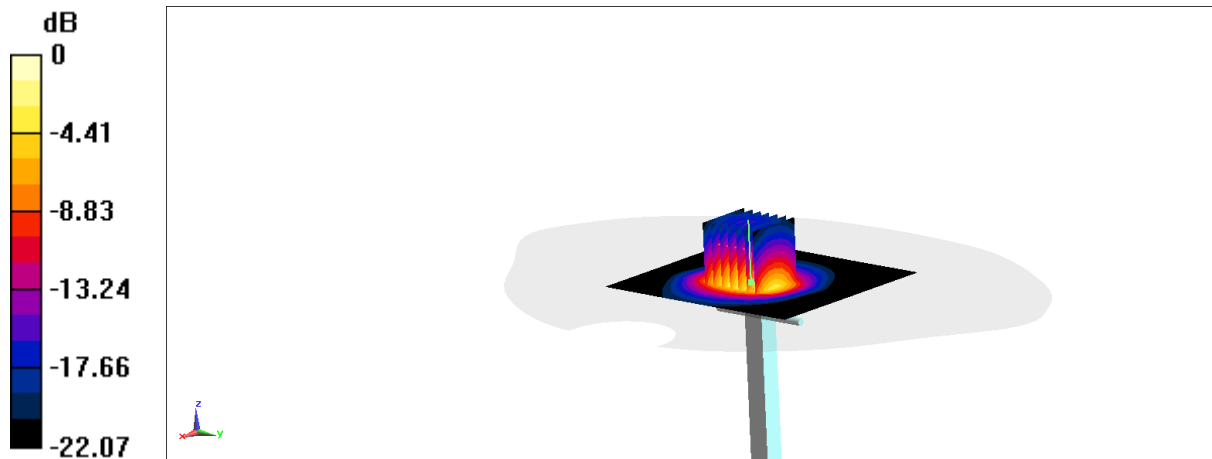
(7x7x7)/Cube 0: Measurement grid: dx=5mm, dy=5mm, dz=5mm

Reference Value = 99.88 V/m; Power Drift = -0.14 dB

Peak SAR (extrapolated) = 30.3 W/kg

SAR(1 g) = 14.8 W/kg; SAR(10 g) = 6.79 W/kg

Maximum value of SAR (measured) = 22.7 W/kg



0 dB = 22.7 W/kg = 13.56 dBW/kg

## 2600 MHz

Date: 11/6/2022

Electronics: DAE4 Sn1331

Medium: H700-6000M

Medium parameters used:  $f = 2600$  MHz;  $\sigma = 1.932$  S/m;  $\epsilon_r = 39.94$ ;  $\rho = 1000$  kg/m<sup>3</sup>

Ambient Temperature: 23.3°C      Liquid Temperature: 22.5°C

Communication System: UID 0, CW (0) Frequency: 2600 MHz Duty Cycle: 1:1

Probe: EX3DV4 - SN7548 ConvF(7.12, 7.12, 7.12)

System Performance Check/d=10mm, Pin=250 mW, dist=2.0mm (EX-Probe)/Area Scan (81x91x1):

Interpolated grid: dx=1.200 mm, dy=1.200 mm

Maximum value of SAR (interpolated) = 23.65 W/kg

System Performance Check/d=10mm, Pin=250 mW, dist=2.0mm (EX-Probe)/Zoom Scan (7x7x7)

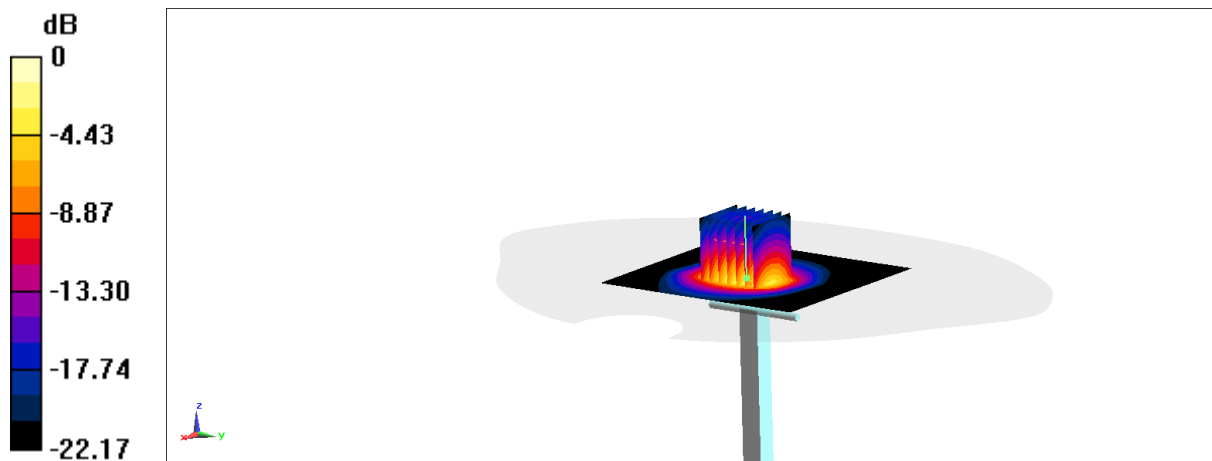
(7x7x7)/Cube 0: Measurement grid: dx=5mm, dy=5mm, dz=5mm

Reference Value = 101.3 V/m; Power Drift = -0.15 dB

Peak SAR (extrapolated) = 30.4 W/kg

SAR(1 g) = 14.7 W/kg; SAR(10 g) = 6.74 W/kg

Maximum value of SAR (measured) = 22.7 W/kg



0 dB = 22.7 W/kg = 13.56 dBW/kg

## 2600 MHz

Date: 11/8/2022

Electronics: DAE4 Sn1588

Medium: H700-6000M

Medium parameters used:  $f = 2600$  MHz;  $\sigma = 1.944$  S/m;  $\epsilon_r = 40.18$ ;  $\rho = 1000$  kg/m<sup>3</sup>

Ambient Temperature: 23.3°C      Liquid Temperature: 22.5°C

Communication System: UID 0, CW (0) Frequency: 2600 MHz Duty Cycle: 1:1

Probe: EX3DV4 - SN3617 ConvF(7.4, 7.4, 7.4)

System Performance Check/d=10mm, Pin=250 mW, dist=2.0mm (EX-Probe)/Area Scan (81x91x1):

Interpolated grid: dx=1.200 mm, dy=1.200 mm

Maximum value of SAR (interpolated) = 22.5 W/kg

System Performance Check/d=10mm, Pin=250 mW, dist=2.0mm (EX-Probe)/Zoom Scan (7x7x7)

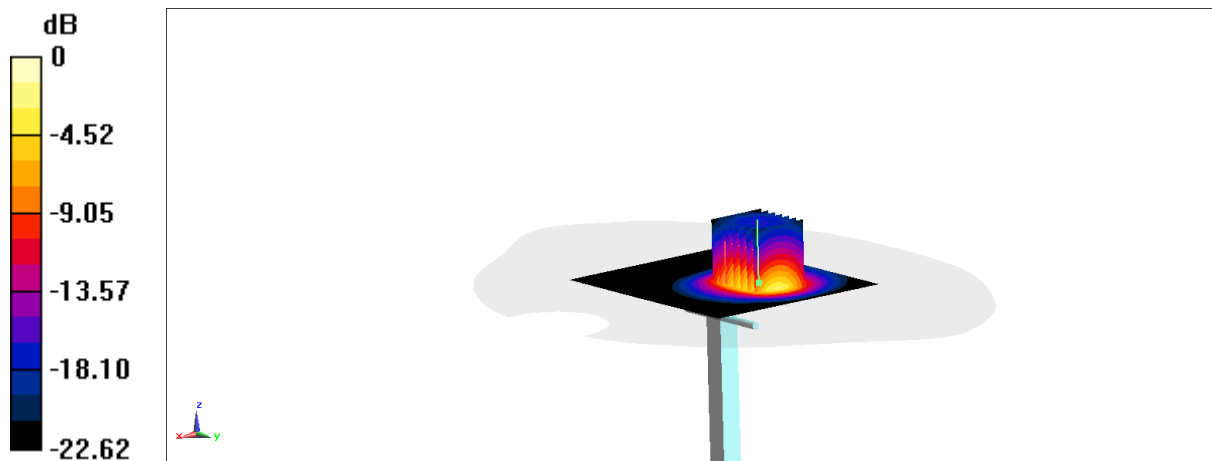
(7x7x7)/Cube 0: Measurement grid: dx=5mm, dy=5mm, dz=5mm

Reference Value = 44.58 V/m; Power Drift = 0.11 dB

Peak SAR (extrapolated) = 28.8 W/kg

SAR(1 g) = 13.9 W/kg; SAR(10 g) = 6.39 W/kg

Maximum value of SAR (measured) = 21.3 W/kg



0 dB = 21.3 W/kg = 13.28 dBW/kg

## 2600 MHz

Date: 11/7/2022

Electronics: DAE4 Sn1331

Medium: H700-6000M

Medium parameters used:  $f = 2600$  MHz;  $\sigma = 1.938$  S/m;  $\epsilon_r = 40.06$ ;  $\rho = 1000$  kg/m<sup>3</sup>

Ambient Temperature: 23.3°C      Liquid Temperature: 22.5°C

Communication System: UID 0, CW (0) Frequency: 2600 MHz Duty Cycle: 1:1

Probe: EX3DV4 - SN7548 ConvF(7.12, 7.12, 7.12)

System Performance Check/d=10mm, Pin=250 mW, dist=2.0mm (EX-Probe)/Area Scan (81x91x1):

Interpolated grid: dx=1.200 mm, dy=1.200 mm

Maximum value of SAR (interpolated) = 23.1 W/kg

System Performance Check/d=10mm, Pin=250 mW, dist=2.0mm (EX-Probe)/Zoom Scan (7x7x7)

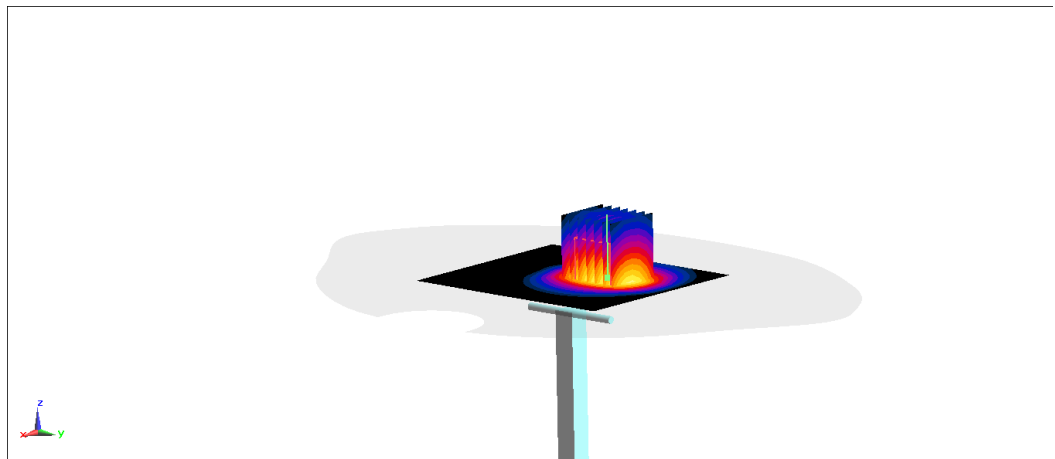
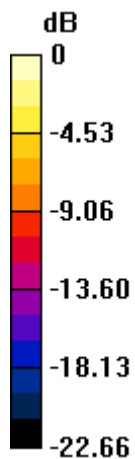
(7x7x7)/Cube 0: Measurement grid: dx=5mm, dy=5mm, dz=5mm

Reference Value = 43.81 V/m; Power Drift = 0.12 dB

Peak SAR (extrapolated) = 29.6 W/kg

SAR(1 g) = 14.2 W/kg; SAR(10 g) = 6.49 W/kg

Maximum value of SAR (measured) = 21.8 W/kg



0 dB = 21.8 W/kg = 13.38 dBW/kg

## 2600MHz

Date: 10/18/2022

Electronics: DAE4 Sn1556

Medium: H700-6000M

Medium parameters used:  $f = 2600$  MHz;  $\sigma = 1.913$  S/m;  $\epsilon_r = 39.53$ ;  $\rho = 1000$  kg/m<sup>3</sup>

Ambient Temperature: 23.3°C      Liquid Temperature: 22.5°C

Communication System: UID 0, CW (0) Frequency: 2600 MHz Duty Cycle: 1:1

Probe: EX3DV4 - SN7464 ConvF(7.64, 7.64, 7.64)

Area Scan (61x61x1): Interpolated grid:  $dx=1.500$  mm,  $dy=1.500$  mm

Maximum value of SAR (interpolated) = 24.8 W/kg

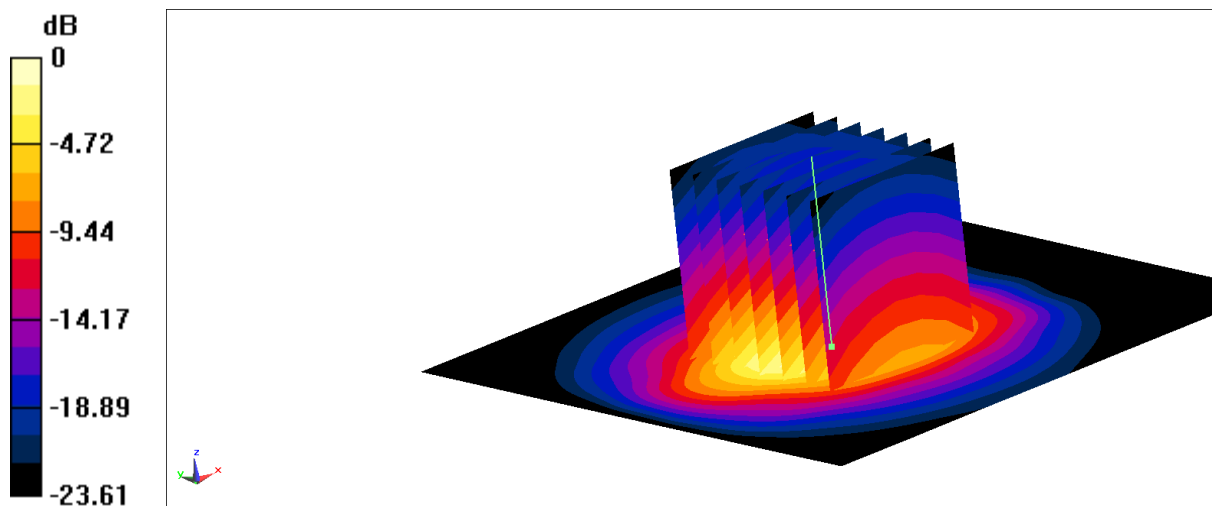
Zoom Scan (7x7x7) (7x7x7)/Cube 0: Measurement grid:  $dx=5$ mm,  $dy=5$ mm,  $dz=5$ mm

Reference Value = 105.2 V/m; Power Drift = -0.01 dB

Peak SAR (extrapolated) = 31.5 W/kg

SAR(1 g) = 14.5 W/kg; SAR(10 g) = 6.48 W/kg

Maximum value of SAR (measured) = 25.0 W/kg



0 dB = 25.0 W/kg = 13.98 dBW/kg

## 2600MHz

Date: 10/19/2022

Electronics: DAE4 Sn1556

Medium: H700-6000M

Medium parameters used:  $f = 2600$  MHz;  $\sigma = 1.952$  S/m;  $\epsilon_r = 40.35$ ;  $\rho = 1000$  kg/m<sup>3</sup>

Ambient Temperature: 23.3°C      Liquid Temperature: 22.5°C

Communication System: UID 0, CW (0) Frequency: 2600 MHz Duty Cycle: 1:1

Probe: EX3DV4 - SN7464 ConvF(7.64, 7.64, 7.64)

Area Scan (61x81x1): Interpolated grid:  $dx=1.000$  mm,  $dy=1.000$  mm

Maximum value of SAR (interpolated) = 24.9 W/kg

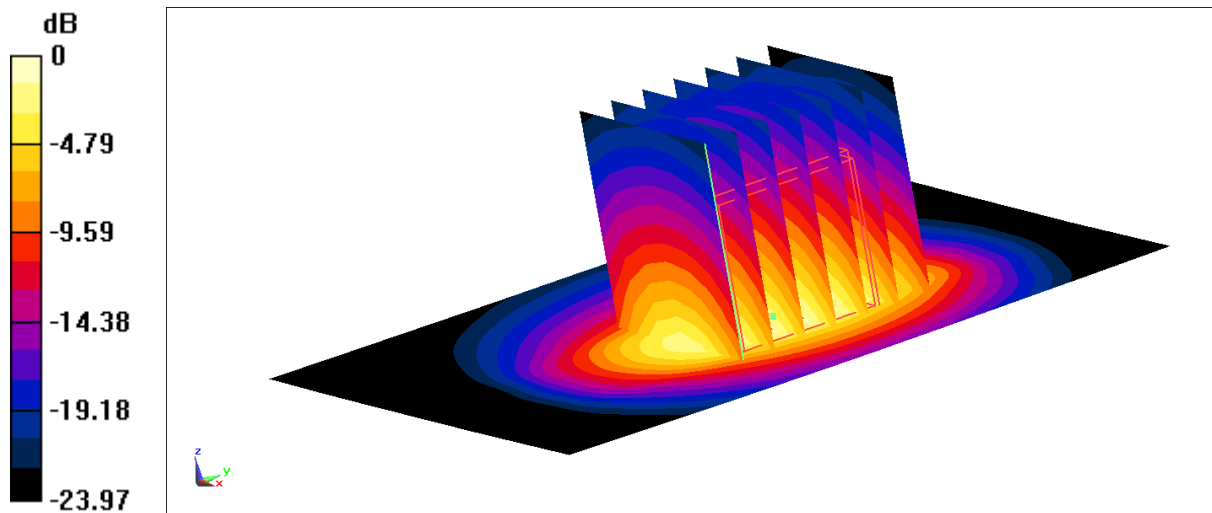
Zoom Scan (7x7x7)/Cube 0: Measurement grid:  $dx=5$ mm,  $dy=5$ mm,  $dz=5$ mm

Reference Value = 111.5 V/m; Power Drift = 0.17 dB

Peak SAR (extrapolated) = 30.9 W/kg

SAR(1 g) = 14.1 W/kg; SAR(10 g) = 6.35 W/kg

Maximum value of SAR (measured) = 23.5 W/kg



0 dB = 23.5 W/kg = 13.71 dBW/kg



## 2600MHz

Date: 10/20/2022

Electronics: DAE4 Sn1331

Medium: H700-6000M

Medium parameters used:  $f = 2600$  MHz;  $\sigma = 1.96$  S/m;  $\epsilon_r = 40.51$ ;  $\rho = 1000$  kg/m<sup>3</sup>

Ambient Temperature: 23.3°C      Liquid Temperature: 22.5°C

Communication System: UID 0, CW (0) Frequency: 2600 MHz Duty Cycle: 1:1

Probe: EX3DV4 - SN7548 ConvF(7.32, 7.32, 7.32)

Area Scan (61x81x1): Interpolated grid:  $dx=1.200$  mm,  $dy=1.200$  mm

Maximum value of SAR (interpolated) = 25.2 W/kg

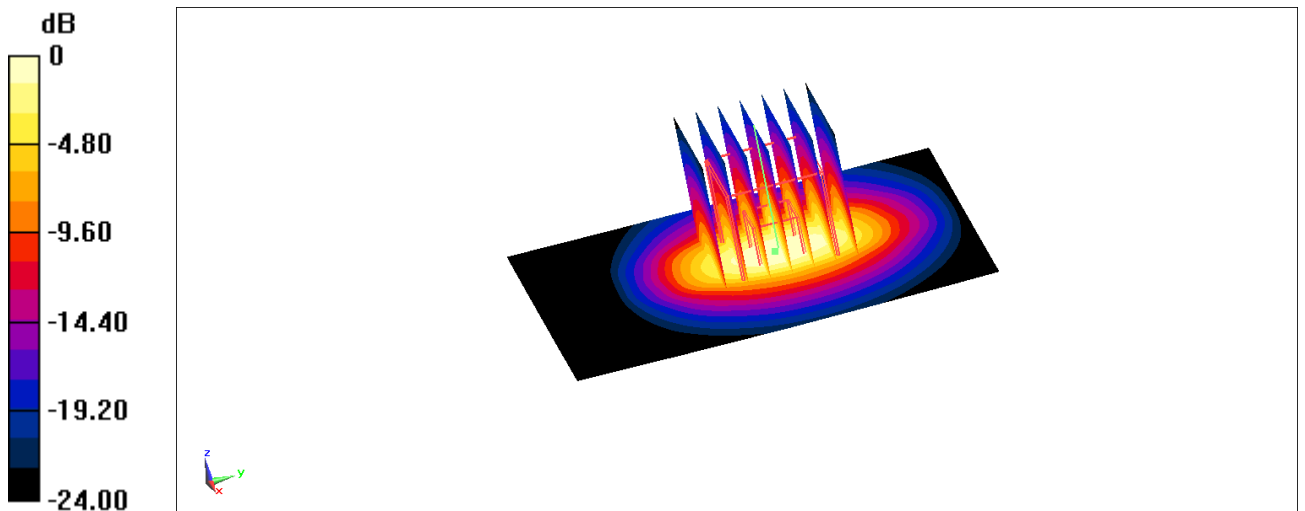
Zoom Scan (7x7x7)/Cube 0: Measurement grid:  $dx=5$ mm,  $dy=5$ mm,  $dz=5$ mm

Reference Value = 96.09 V/m; Power Drift = -0.02 dB

Peak SAR (extrapolated) = 32.2 W/kg

SAR(1 g) = 14.6 W/kg; SAR(10 g) = 6.52 W/kg

Maximum value of SAR (measured) = 24.4 W/kg



0 dB = 24.4 W/kg = 13.87 dBW/kg

## 3500 MHz

Date: 10/23/2022

Electronics: DAE4 Sn1331

Medium: H700-6000M

Medium parameters used:  $f = 3500$  MHz;  $\sigma = 2.92$  S/m;  $\epsilon_r = 39.19$ ;  $\rho = 1000$  kg/m<sup>3</sup>

Ambient Temperature: 23.3°C      Liquid Temperature: 22.5°C

Communication System: UID 0, CW (0) Frequency: 3500 MHz Duty Cycle: 1:1

Probe: EX3DV4 - SN7548 ConvF(6.61, 6.61, 6.61)

System Performance Check/d=10mm, Pin=100mW, f=3500 MHz/Area Scan (91x91x1): Interpolated grid:

dx=1.000 mm, dy=1.000 mm

Maximum value of SAR (interpolated) = 12.5 W/kg

System Performance Check/d=10mm, Pin=100mW, f=3500 MHz/Zoom Scan (4x4x1.4mm, graded),

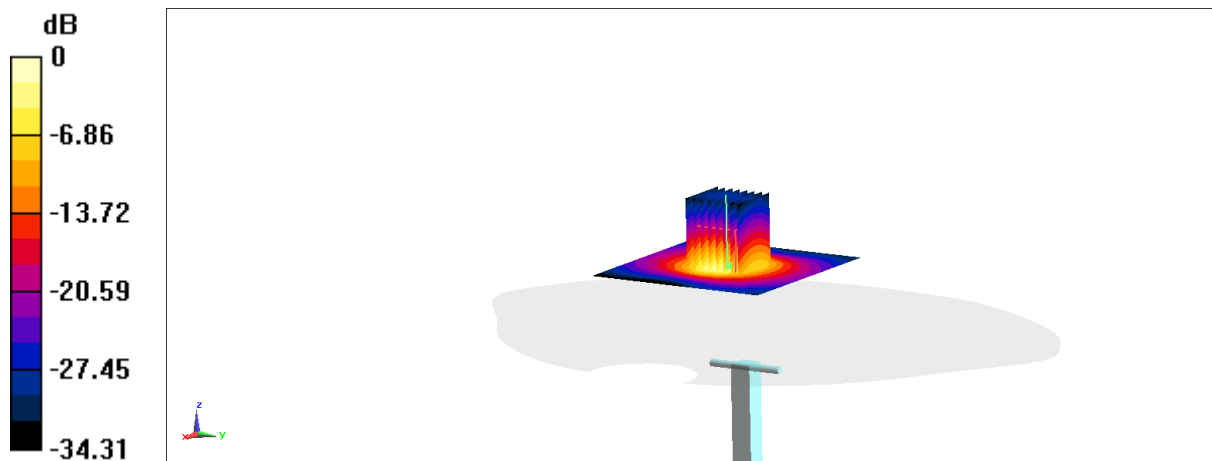
dist=1.4mm (8x8x8)/Cube 0: Measurement grid: dx=4mm, dy=4mm, dz=1.4mm

Reference Value = 72.21 V/m; Power Drift = -0.14 dB

Peak SAR (extrapolated) = 16.4 W/kg

SAR(1 g) = 6.73 W/kg; SAR(10 g) = 2.63 W/kg

Maximum value of SAR (measured) = 12.4 W/kg



## 3500 MHz

Date: 10/24/2022

Electronics: DAE4 Sn1331

Medium: H700-6000M

Medium parameters used:  $f = 3500$  MHz;  $\sigma = 2.783$  S/m;  $\epsilon_r = 39.58$ ;  $\rho = 1000$  kg/m<sup>3</sup>

Ambient Temperature: 23.3°C      Liquid Temperature: 22.5°C

Communication System: UID 0, CW (0) Frequency: 3500 MHz Duty Cycle: 1:1

Probe: EX3DV4 - SN7548 ConvF(6.61, 6.61, 6.61)

Area Scan (91x91x1): Interpolated grid:  $dx=1.000$  mm,  $dy=1.000$  mm

Maximum value of SAR (interpolated) = 12.9 W/kg

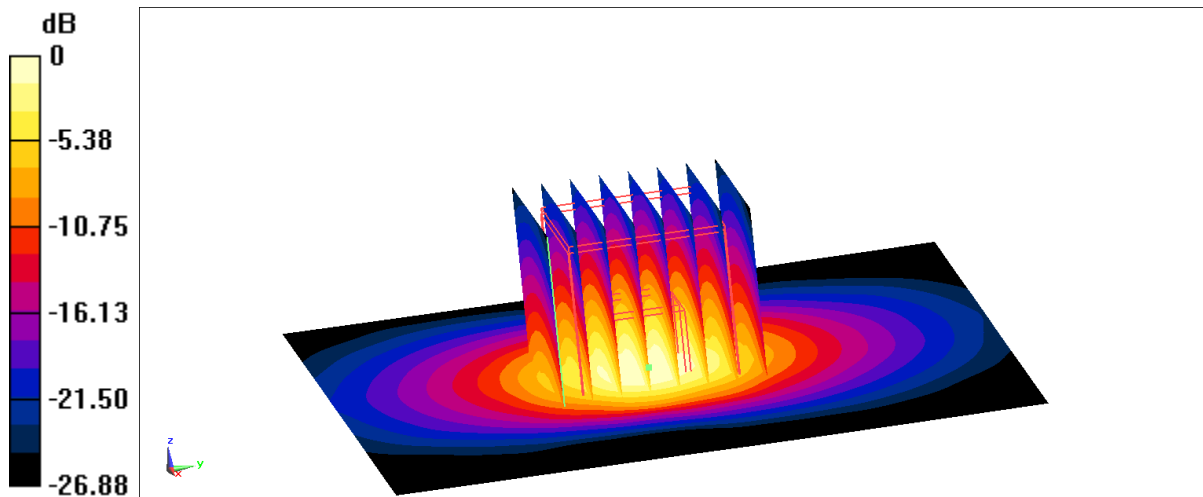
Zoom Scan (4x4x1.4mm, graded),  $dist=1.4$ mm (8x8x7)/Cube 0: Measurement grid:  $dx=4$ mm,  $dy=4$ mm,  $dz=1.4$ mm

Reference Value = 71.19 V/m; Power Drift = 0.08 dB

Peak SAR (extrapolated) = 16.6 W/kg

SAR(1 g) = 6.78 W/kg; SAR(10 g) = 2.64 W/kg

Maximum value of SAR (measured) = 12.4 W/kg



0 dB = 12.4 W/kg = 10.93 dBW/kg

## 5250 MHz

Date: 10/31/2022

Electronics: DAE4 Sn1331

Medium: H700-6000M

Medium parameters used:  $f = 5250$  MHz;  $\sigma = 4.563$  S/m;  $\epsilon_r = 35.9$ ;  $\rho = 1000$  kg/m<sup>3</sup>

Ambient Temperature: 23.3°C      Liquid Temperature: 22.5°C

Communication System: UID 0, CW (0) Frequency: 5250 MHz Duty Cycle: 1:1

Probe: EX3DV4 - SN7548 ConvF(4.98, 4.98, 4.98)

System Performance Check/d=10mm, Pin=100mW, f=5250 MHz/Area Scan (91x91x1): Interpolated grid:

dx=1.000 mm, dy=1.000 mm

Maximum value of SAR (interpolated) = 19.8 W/kg

System Performance Check/d=10mm, Pin=100mW, f=5250 MHz/Zoom Scan (7x7x11)/Cube 0:

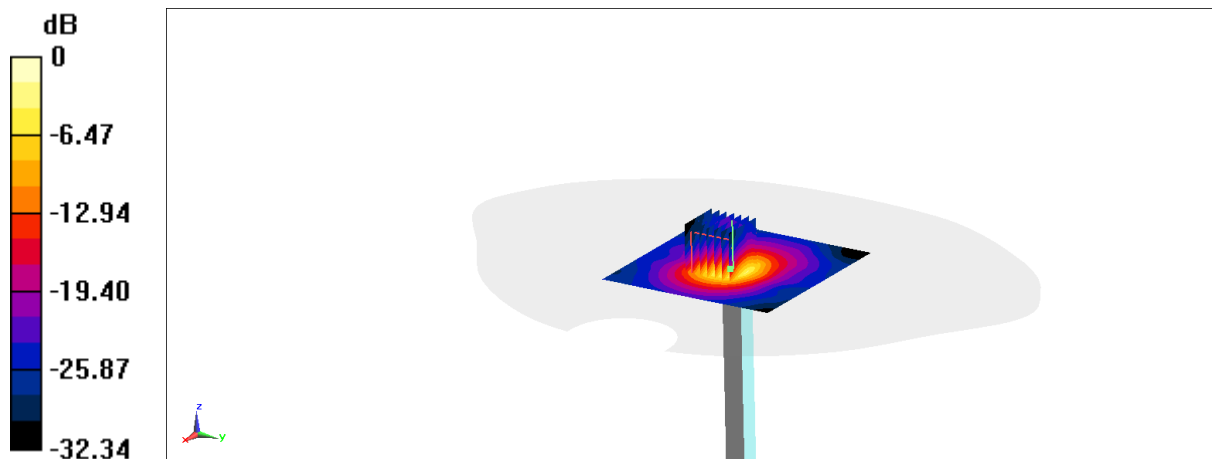
Measurement grid: dx=4mm, dy=4mm, dz=1.4mm

Reference Value = 61.88 V/m; Power Drift = -0.02 dB

Peak SAR (extrapolated) = 33.4 W/kg

SAR(1 g) = 8.11 W/kg; SAR(10 g) = 2.36 W/kg

Maximum value of SAR (measured) = 20.3 W/kg



0 dB = 20.3 W/kg = 13.07 dBW/kg

## 5600 MHz

Date: 10/31/2022

Electronics: DAE4 Sn1331

Medium: H700-6000M

Medium parameters used:  $f = 5600$  MHz;  $\sigma = 4.926$  S/m;  $\epsilon_r = 35.42$ ;  $\rho = 1000$  kg/m<sup>3</sup>

Ambient Temperature: 23.3°C      Liquid Temperature: 22.5°C

Communication System: UID 0, CW (0) Frequency: 5600 MHz Duty Cycle: 1:1

Probe: EX3DV4 - SN7548 ConvF(4.57, 4.57, 4.57)

System Performance Check/d=10mm, Pin=100mW, f=5600 MHz/Area Scan (91x91x1): Interpolated grid:

dx=1.000 mm, dy=1.000 mm

Maximum value of SAR (interpolated) = 22.5 W/kg

System Performance Check/d=10mm, Pin=100mW, f=5600 MHz/Zoom Scan 2 (7x7x7)/Cube 0:

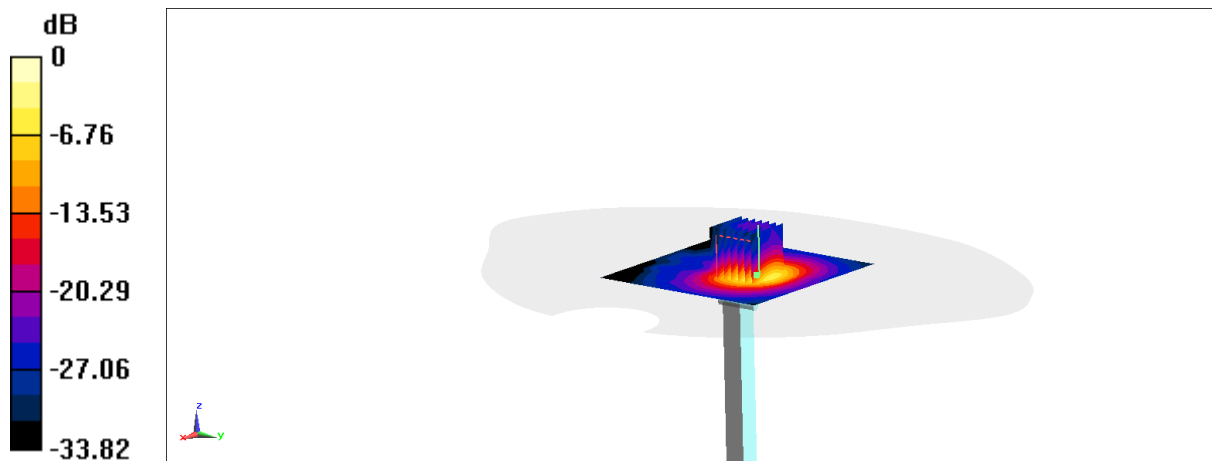
Measurement grid: dx=4mm, dy=4mm, dz=1.4mm

Reference Value = 34.55 V/m; Power Drift = 0.11 dB

Peak SAR (extrapolated) = 35.9 W/kg

SAR(1 g) = 8.63 W/kg; SAR(10 g) = 2.47 W/kg

Maximum value of SAR (measured) = 22.1 W/kg



0 dB = 22.1 W/kg = 13.44 dBW/kg

## 5750 MHz

Date: 10/31/2022

Electronics: DAE4 Sn1331

Medium: H700-6000M

Medium parameters used:  $f = 5750$  MHz;  $\sigma = 5.1$  S/m;  $\epsilon_r = 35.05$ ;  $\rho = 1000$  kg/m<sup>3</sup>

Ambient Temperature: 23.3°C      Liquid Temperature: 22.5°C

Communication System: UID 0, CW (0) Frequency: 5750 MHz Duty Cycle: 1:1

Probe: EX3DV4 - SN7548 ConvF(4.64, 4.64, 4.64)

System Performance Check/d=10mm, Pin=100mW, f=5750 MHz/Area Scan (91x91x1): Interpolated grid:

dx=1.000 mm, dy=1.000 mm

Maximum value of SAR (interpolated) = 22.3 W/kg

System Performance Check/d=10mm, Pin=100mW, f=5750 MHz/Zoom Scan 2 (7x7x7)/Cube 0:

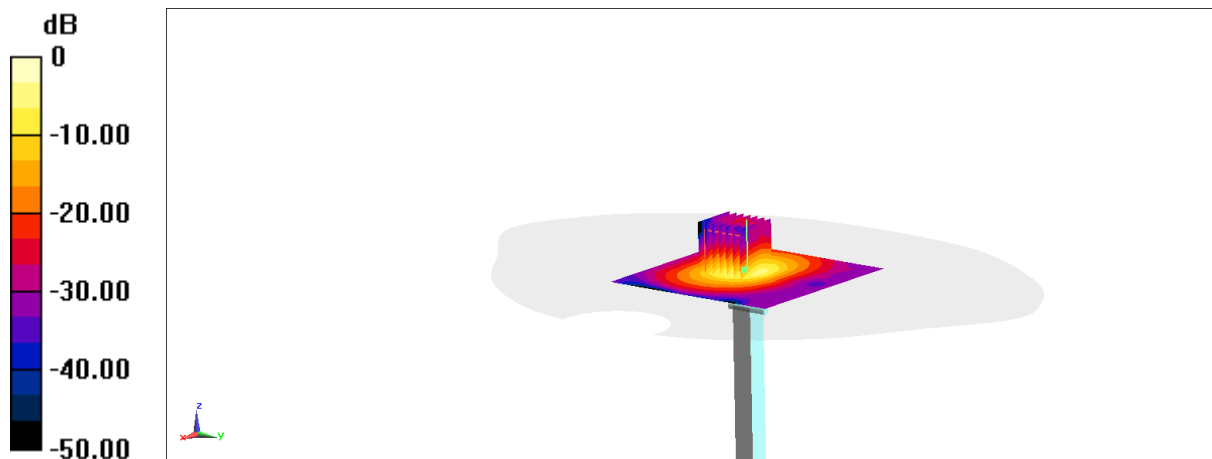
Measurement grid: dx=4mm, dy=4mm, dz=1.4mm

Reference Value = 42.82 V/m; Power Drift = 0.08 dB

Peak SAR (extrapolated) = 37.5 W/kg

SAR(1 g) = 8.55 W/kg; SAR(10 g) = 2.44 W/kg

Maximum value of SAR (measured) = 22.1 W/kg

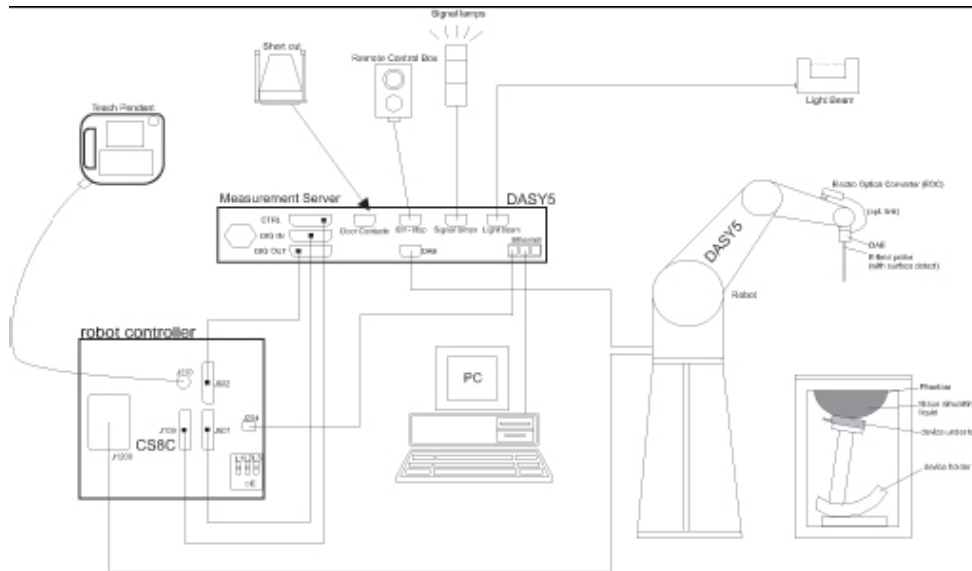


0 dB = 22.1 W/kg = 13.44 dBW/kg

## ANNEX C SAR Measurement Setup

### C.1 Measurement Set-up

The Dasy5 or DASY6 system for performing compliance tests is illustrated above graphically. This system consists of the following items:



Picture C.1 SAR Lab Test Measurement Set-up

- A standard high precision 6-axis robot (Stäubli TX=RX family) with controller, teach pendant and software. An arm extension for accommodating the data acquisition electronics (DAE).
- An isotropic field probe optimized and calibrated for the targeted measurement.
- A data acquisition electronics (DAE) which performs the signal amplification, signal multiplexing, AD-conversion, offset measurements, mechanical surface detection, collision detection, etc. The unit is battery powered with standard or rechargeable batteries. The signal is optically transmitted to the EOC.
- The Electro-optical converter (EOC) performs the conversion from optical to electrical signals for the digital communication to the DAE. To use optical surface detection, a special version of the EOC is required. The EOC signal is transmitted to the measurement server.
- The function of the measurement server is to perform the time critical tasks such as signal filtering, control of the robot operation and fast movement interrupts.
- The Light Beam used is for probe alignment. This improves the (absolute) accuracy of the probe positioning.
- A computer running WinXP and the DASY5 or DASY6 software.
- Remote control and teach pendant as well as additional circuitry for robot safety such as
- warning lamps, etc.
- The phantom, the device holder and other accessories according to the targeted measurement.

## C.2 Dasy5 E-field Probe System

The SAR measurements were conducted with the dosimetric probe designed in the classical triangular configuration and optimized for dosimetric evaluation. The probe is constructed using the thick film technique; with printed resistive lines on ceramic substrates. The probe is equipped with an optical multifiber line ending at the front of the probe tip. It is connected to the EOC box on the robot arm and provides an automatic detection of the phantom surface. Half of the fibers are connected to a pulsed infrared transmitter, the other half to a synchronized receiver. As the probe approaches the surface, the reflection from the surface produces a coupling from the transmitting to the receiving fibers. This reflection increases first during the approach, reaches maximum and then decreases. If the probe is flatly touching the surface, the coupling is zero. The distance of the coupling maximum to the surface is independent of the surface reflectivity and largely independent of the surface to probe angle. The DASY5 or DASY6 software reads the reflection during a software approach and looks for the maximum using 2<sup>nd</sup> ord curve fitting. The approach is stopped at reaching the maximum.

### Probe Specifications:

**Model:** ES3DV3, EX3DV4  
**Frequency** 10MHz — 6.0GHz(EX3DV4)  
**Range:** 10MHz — 4GHz(ES3DV3)  
**Calibration:** In head and body simulating tissue at  
Frequencies from 835 up to 5800MHz  
**Linearity:** ± 0.2 dB(30 MHz to 6 GHz) for EX3DV4  
± 0.2 dB(30 MHz to 4 GHz) for ES3DV3  
**DynamicRange:** 10 mW/kg — 100W/kg  
**Probe Length:** 330 mm  
**Probe Tip**  
**Length:** 20 mm  
**Body Diameter:** 12 mm  
**Tip Diameter:** 2.5 mm (3.9 mm for ES3DV3)  
**Tip-Center:** 1 mm (2.0mm for ES3DV3)  
**Application:**SAR Dosimetry Testing  
Compliance tests of mobile phones  
Dosimetry in strong gradient fields



Picture C.2Near-field Probe



Picture C.3E-field Probe

## C.3 E-field Probe Calibration

Each E-Probe/Probe Amplifier combination has unique calibration parameters. A TEM cell calibration procedure is conducted to determine the proper amplifier settings to enter in the probe parameters. The amplifier settings are determined for a given frequency by subjecting the probe to a known E-field density (1 mW/cm<sup>2</sup>) using an RF Signal generator, TEM cell, and RF Power Meter.

The free space E-field from amplified probe outputs is determined in a test chamber. This calibration can be performed in a TEM cell if the frequency is below 1 GHz and in a waveguide or



other methodologies above 1 GHz for free space. For the free space calibration, the probe is placed in the volumetric center of the cavity and at the proper orientation with the field. The probe is then rotated 360 degrees until the three channels show the maximum reading. The power density readings equates to 1 mW/cm<sup>2</sup>.

E-field temperature correlation calibration is performed in a flat phantom filled with the appropriate simulated brain tissue. The E-field in the medium correlates with the temperature rise in the dielectric medium. For temperature correlation calibration a RF transparent thermistor-based temperature probe is used in conjunction with the E-field probe.

$$SAR = C \frac{\Delta T}{\Delta t}$$

Where:

$\Delta t$  = Exposure time (30 seconds),

C = Heat capacity of tissue (brain or muscle),

$\Delta T$  = Temperature increase due to RF exposure.

$$SAR = \frac{|E|^2 \cdot \sigma}{\rho}$$

Where:

$\sigma$  = Simulated tissue conductivity,

$\rho$  = Tissue density (kg/m<sup>3</sup>).

## C.4 Other Test Equipment

### C.4.1 Data Acquisition Electronics(DAE)

The data acquisition electronics consist of a highly sensitive electrometer-grade preamplifier with auto-zeroing, a channel and gain-switching multiplexer, a fast 16 bit AD-converter and a command decoder with a control logic unit. Transmission to the measurement server is accomplished through an optical downlink for data and status information, as well as an optical uplink for commands and the clock.

The mechanical probe mounting device includes two different sensor systems for frontal and sideways probe contacts. They are used for mechanical surface detection and probe collision detection.

The input impedance of the DAE is 200 MOhm; the inputs are symmetrical and floating. Common mode rejection is above 80 dB.



PictureC.4: DAE

### C.4.2 Robot

The SPEAG DASY system uses the high precision robots (DASY5: RX160L) type from Stäubli SA (France). For the 6-axis controller system, the robot controller version from Stäubli is used. The Stäubli robot series have many features that are important for our application:

- High precision (repeatability 0.02mm)
- High reliability (industrial design)
- Low maintenance costs (virtually maintenance free due to direct drive gears; no belt drives)
- Jerk-free straight movements (brushless synchron motors; no stepper motors)
- Low ELF interference (motor control fields shielded via the closed metallic construction shields)



Picture C.5 DASY 5

### C.4.3 Measurement Server

The Measurement server is based on a PC/104 CPU board with CPU (DASY5: 400 MHz, Intel Celeron), chipdisk (DASY5: 128MB), RAM DASY5: 128MB). The necessary circuits for communication with the DAE electronic box, as well as the 16 bit AD converter system for optical detection and digital I/O interface are contained on the DASY I/O board, which is directly connected to the PC/104 bus of the CPU board.

The measurement server performs all real-time data evaluation of field measurements and surface detection, controls robot movements and handles safety operation. The PC operating system cannot interfere with these time critical processes. All connections are supervised by a watchdog, and disconnection of any of the cables to the measurement server will automatically disarm the robot and disable all program-controlled robot movements. Furthermore, the measurement server is equipped with an expansion port which is reserved for future applications. Please note that this expansion port does not have a standardized pinout, and therefore only devices provided by SPEAG can be connected. Devices from any other supplier could seriously damage the measurement server.



Picture C.6 Server for DASY 5

#### C.4.4 Device Holder for Phantom

The SAR in the phantom is approximately inversely proportional to the square of the distance between the source and the liquid surface. For a source at 5mm distance, a positioning uncertainty of  $\pm 0.5\text{mm}$  would produce a SAR uncertainty of  $\pm 20\%$ . Accurate device positioning is therefore crucial for accurate and repeatable measurements. The positions in which the devices must be measured are defined by the standards.

The DASY device holder is designed to cope with the different positions given in the standard. It has two scales for device rotation (with respect to the body axis) and device inclination (with respect to the line between the ear reference points). The rotation centers for both scales are the ear reference point (ERP). Thus the device needs no repositioning when changing the angles.

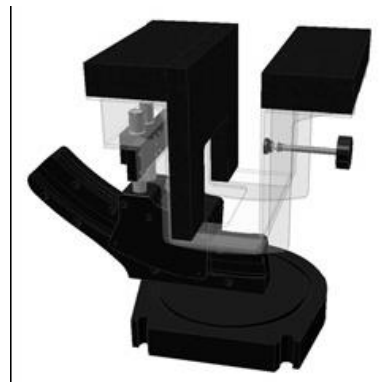
The DASY device holder is constructed of low-loss POM material having the following dielectric parameters: relative permittivity  $\epsilon = 3$  and loss tangent  $\delta = 0.02$ . The amount of dielectric material has been reduced in the closest vicinity of the device, since measurements have suggested that the influence of the clamp on the test results could thus be lowered.

<Laptop Extension Kit>

The extension is lightweight and made of POM, acrylic glass and foam. It fits easily on the upper part of the Mounting Device in place of the phone positioner. The extension is fully compatible with the Twin-SAM and ELI phantoms.



Picture C7-1: Device Holder



Picture C.7-2: Laptop Extension Kit

#### C.4.5 Phantom

The SAM Twin Phantom V4.0 is constructed of a fiberglass shell integrated in a table. The shape of the shell is based on data from an anatomical study designed to

Represent the 90<sup>th</sup> percentile of the population. The phantom enables the dissymmetric evaluation of SAR for both left and right handed handset usage, as well as body-worn usage using the flat phantom region. Reference markings on the Phantom allow the complete setup of all predefined phantom positions and measurement grids by manually teaching three points in the robot. The shell phantom has a 2mm shell thickness (except the ear region where shell thickness increases to 6 mm).

Shell Thickness:  $2 \pm 0.2$  mm

Filling Volume: Approx. 25 liters

Dimensions: 810 x 1000 x 500 mm (H x L x W)

Available: Special

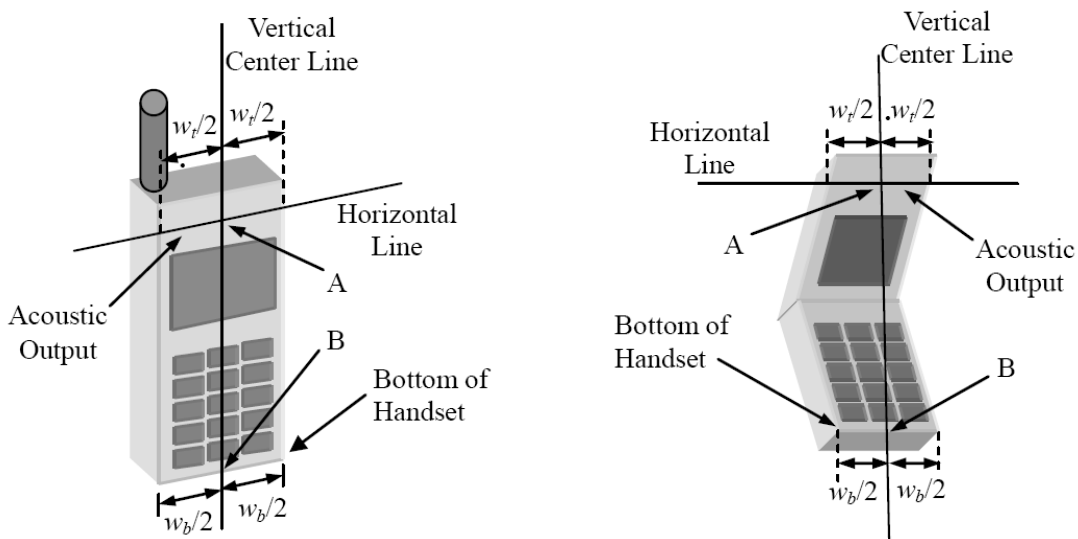


**Picture C.8: SAM Twin Phantom**

## ANNEX D Position of the wireless device in relation to the phantom

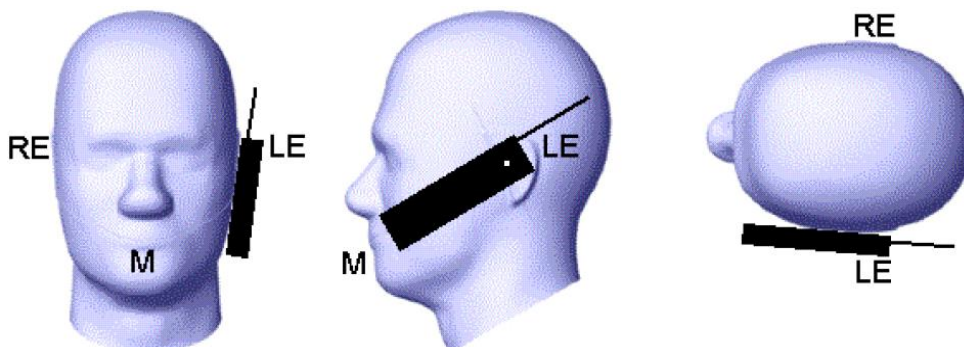
### D.1 General considerations

This standard specifies two handset test positions against the head phantom – the “cheek” position and the “tilt” position.

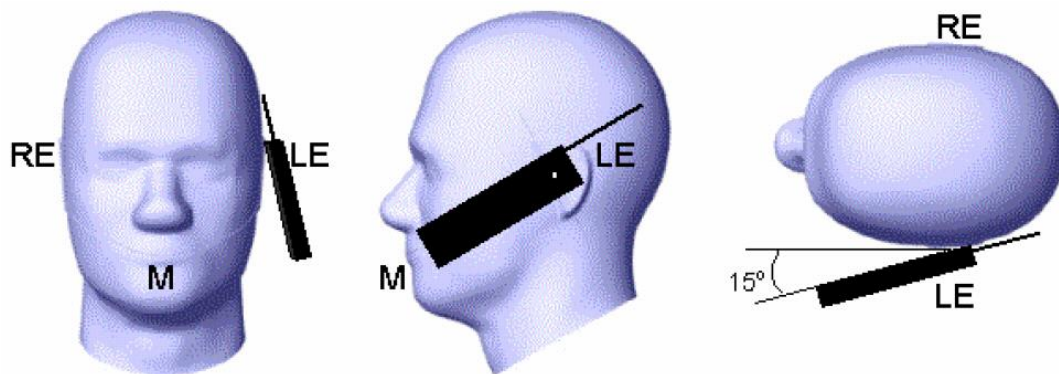


- $w_t$  Width of the handset at the level of the acoustic
- $w_b$  Width of the bottom of the handset
- A Midpoint of the width  $w_t$  of the handset at the level of the acoustic output
- B Midpoint of the width  $w_b$  of the bottom of the handset

Picture D.1-a Typical “fixed” case handset      Picture D.1-b Typical “clam-shell” case handset



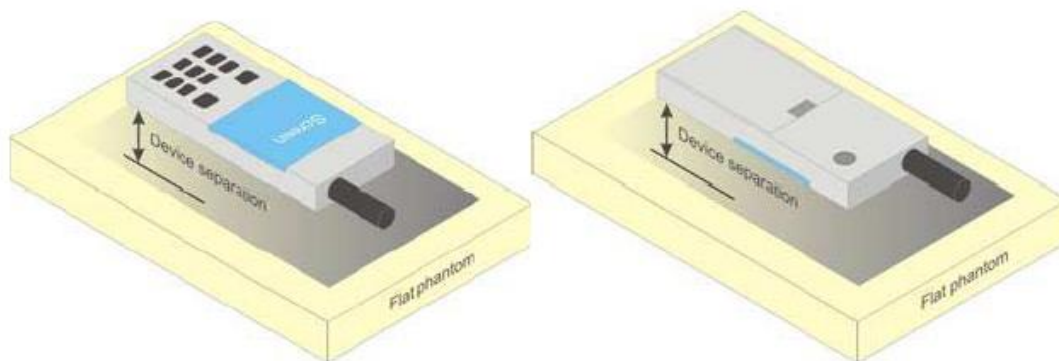
Picture D.2 Cheek position of the wireless device on the left side of SAM



**Picture D.3 Tilt position of the wireless device on the left side of SAM**

## **D.2 Body-worn device**

A typical example of a body-worn device is a mobile phone, wireless enabled PDA or other battery operated wireless device with the ability to transmit while mounted on a person's body using a carry accessory approved by the wireless device manufacturer.

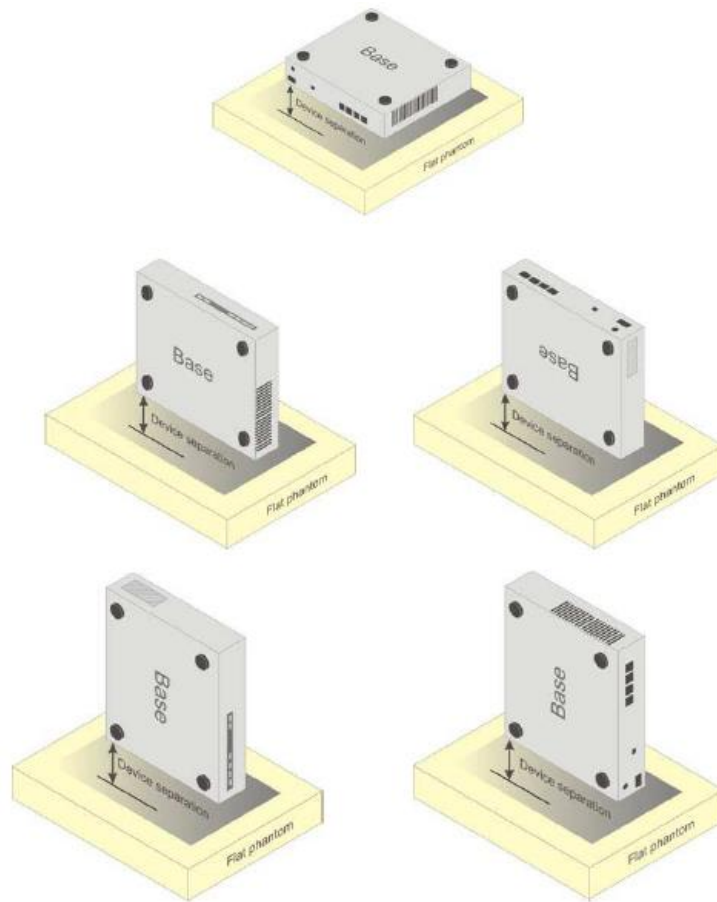


**Picture D.4 Test positions for body-worn devices**

## **D.3 Desktop device**

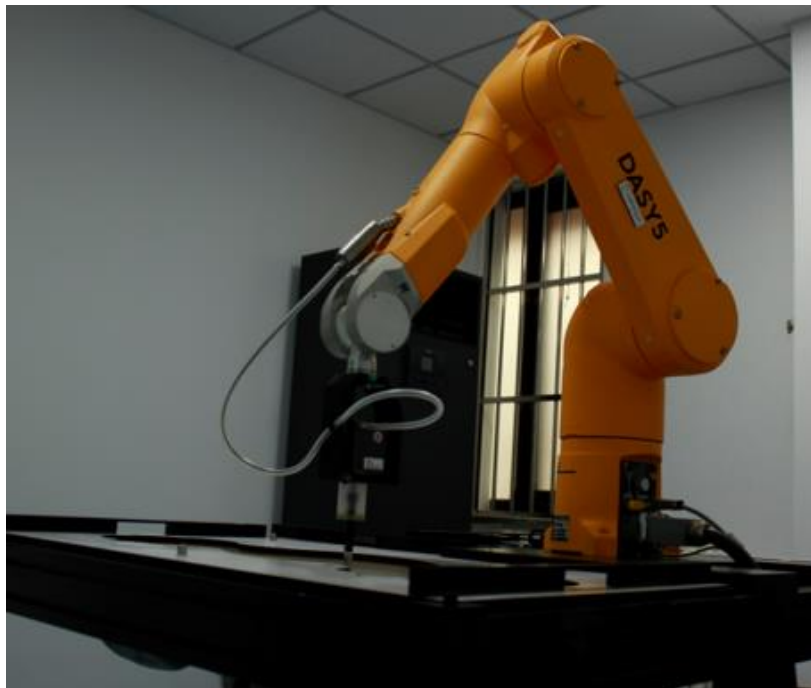
A typical example of a desktop device is a wireless enabled desktop computer placed on a table or desk when used.

The DUT shall be positioned at the distance and in the orientation to the phantom that corresponds to the intended use as specified by the manufacturer in the user instructions. For devices that employ an external antenna with variable positions, tests shall be performed for all antenna positions specified. Picture 8.5 show positions for desktop device SAR tests. If the intended use is not specified, the device shall be tested directly against the flat phantom.



Picture D.5 Test positions for desktop devices

#### D.4 DUT Setup Photos



Picture D.6



## ANNEX E Equivalent Media Recipes

The liquid used for the frequency range of 800-3000 MHz consisted of water, sugar, salt, preventol, glycol monobutyl and Cellulose. The liquid has been previously proven to be suited for worst-case. The Table E.1 shows the detail solution. It's satisfying the latest tissue dielectric parameters requirements proposed by the IEEE 1528 and IEC 62209.

**TableE.1: Composition of the Tissue Equivalent Matter**

Frequency (MHz)	835Head	835Body	1900 Head	1900 Body	2450 Head	2450 Body	5800 Head	5800 Body
Ingredients (% by weight)								
Water	41.45	52.5	55.242	69.91	58.79	72.60	65.53	65.53
Sugar	56.0	45.0	\	\	\	\	\	\
Salt	1.45	1.4	0.306	0.13	0.06	0.18	\	\
Preventol	0.1	0.1	\	\	\	\	\	\
Cellulose	1.0	1.0	\	\	\	\	\	\
Glycol Monobutyl	\	\	44.452	29.96	41.15	27.22	\	\
Diethylenglycol monohexylether	\	\	\	\	\	\	17.24	17.24
Triton X-100	\	\	\	\	\	\	17.24	17.24
Dielectric Parameters Target Value	$\epsilon=41.5$ $\sigma=0.90$	$\epsilon=55.2$ $\sigma=0.97$	$\epsilon=40.0$ $\sigma=1.4$ 0	$\epsilon=53.3$ $\sigma=1.5$ 2	$\epsilon=39.2$ $\sigma=1.8$ 0	$\epsilon=52.7$ $\sigma=1.9$ 5	$\epsilon=35.3$ $\sigma=5.2$ 7	$\epsilon=48.2$ $\sigma=6.0$ 0

**Note: There are a little adjustment respectively for 750, 1750, 2600, 5200, 5300 and 5600 based on the recipe of closest frequency in table E.1.**



## ANNEX F System Validation

The SAR system must be validated against its performance specifications before it is deployed. When SAR probes, system components or software are changed, upgraded or recalibrated, these must be validated with the SAR system(s) that operates with such components.

**Table F.1: System Validation for 7600**

Probe SN.	Liquid name	Validation date	Frequency point	Status (OK or Not)
7600	Head 750MHz	January 2, 2022	750 MHz	OK
7600	Head 900MHz	January 2, 2022	900 MHz	OK
7600	Head 1450MHz	January 3, 2022	1450 MHz	OK
7600	Head 1750MHz	January 3, 2022	1750 MHz	OK
7600	Head 1900MHz	January 4, 2022	1900 MHz	OK
7600	Head 2100MHz	January 4, 2022	2000 MHz	OK
7600	Head 2300MHz	January 4, 2022	2300 MHz	OK
7600	Head 2450MHz	January 5, 2022	2450 MHz	OK
7600	Head 2600MHz	January 5, 2022	2600 MHz	OK
7600	Head 3300MHz	January 6, 2022	3300 MHz	OK
7600	Head 3500MHz	January 6, 2022	3500 MHz	OK
7600	Head 3700MHz	January 6, 2022	3700 MHz	OK
7600	Head 3900MHz	January 7, 2022	3900 MHz	OK
7600	Head 4100MHz	January 7, 2022	4100MHz	OK
7600	Head 4200MHz	January 7, 2022	4200MHz	OK
7600	Head 4400MHz	January 8, 2022	4400MHz	OK
7600	Head 4600MHz	January 8, 2022	4600MHz	OK
7600	Head 4800MHz	January 8, 2022	4800MHz	OK
7600	Head 4950MHz	January 9, 2022	4950MHz	OK
7600	Head 5250MHz	January 9, 2022	5250MHz	OK
7600	Head 5600MHz	January 9, 2022	5600 MHz	OK
7600	Head 5750MHz	January 9, 2022	5750 MHz	OK

**Table F.2: System Validation for 7548**

Probe SN.	Liquid name	Validation date	Frequency point	Status (OK or Not)
7548	Head 750MHz	August.2,2022	750 MHz	OK
7548	Head 900MHz	August.2,2022	900 MHz	OK
7548	Head 1450MHz	August.2,2022	1450 MHz	OK
7548	Head 1750MHz	August.2,2022	1750 MHz	OK
7548	Head 1900MHz	August.2,2022	1900 MHz	OK
7548	Head 2000MHz	August.3,2022	2000 MHz	OK
7548	Head 2300MHz	August.3,2022	2300 MHz	OK
7548	Head 2450MHz	August.3,2022	2450 MHz	OK
7548	Head 2600MHz	August.3,2022	2600 MHz	OK
7548	Head 3300MHz	August.3,2022	3300 MHz	OK
7548	Head 3500MHz	August.3,2022	3500 MHz	OK
7548	Head 3700MHz	August.3,2022	3700 MHz	OK
7548	Head 5250MHz	August.4,2022	5250 MHz	OK
7548	Head 5600MHz	August.4,2022	5600 MHz	OK
7548	Head 5750MHz	August.4,2022	5750 MHz	OK

**Table F.3: System Validation for 7464**

Probe SN.	Liquid name	Validation date	Frequency point	Status (OK or Not)
7464	Head 64MHz	February 04,2022	64MHz	OK
7464	Head 150MHz	February 04,2022	150MHz	OK
7464	Head 300MHz	February 04,2022	300MHz	OK
7464	Head 450MHz	February 04,2022	450MHz	OK
7464	Head 750MHz	February 04,2022	750MHz	OK
7464	Head 835MHz	February 04,2022	835MHz	OK
7464	Head 900MHz	February 04,2022	900MHz	OK
7464	Head 1450MHz	February 04,2022	1450MHz	OK
7464	Head 1750MHz	February 05,2022	1750MHz	OK
7464	Head 1810MHz	February 05,2022	1810MHz	OK
7464	Head 1900MHz	February 05,2022	1900MHz	OK
7464	Head 2000MHz	February 05,2022	2000MHz	OK
7464	Head 2100MHz	February 05,2022	2100MHz	OK
7464	Head 2300MHz	February 05,2022	2300MHz	OK
7464	Head 2450MHz	February 05,2022	2450MHz	OK
7464	Head 2600MHz	February 05,2022	2600MHz	OK
7464	Head 3300MHz	February 06,2022	3300MHz	OK
7464	Head 3500MHz	February 06,2022	3500MHz	OK
7464	Head 3700MHz	February 06,2022	3700MHz	OK
7464	Head 3900MHz	February 06,2022	3900MHz	OK
7464	Head 4100MHz	February 06,2022	4100MHz	OK
7464	Head 4200MHz	February 06,2022	4200MHz	OK
7464	Head 4400MHz	February 06,2022	4400MHz	OK
7464	Head 4600MHz	February 06,2022	4600MHz	OK
7464	Head 4800MHz	February 06,2022	4800MHz	OK
7464	Head 4950MHz	February 06,2022	4950MHz	OK
7464	Head 5200MHz	February 07,2022	5200MHz	OK
7464	Head 5250MHz	February 07,2022	5250MHz	OK
7464	Head 5300MHz	February 07,2022	5300MHz	OK
7464	Head 5500MHz	February 07,2022	5500MHz	OK
7464	Head 5600MHz	February 07,2022	5600MHz	OK
7464	Head 5750MHz	February 07,2022	5750MHz	OK
7464	Head 5800MHz	February 07,2022	5800MHz	OK
7464	Head 6500MHz	February 07,2022	6500MHz	OK
7464	Head 7000MHz	February 07,2022	7000MHz	OK

**Table F.4: System Validation for 3617**

Probe SN.	Liquid name	Validation date	Frequency point	Status (OK or Not)
3617	Head 750MHz	March.20,2022	750 MHz	OK
3617	Head 900MHz	March.20,2022	900 MHz	OK
3617	Head 1450MHz	March.20,2022	1450 MHz	OK
3617	Head 1750MHz	March.20,2022	1750 MHz	OK
3617	Head 1900MHz	March.20,2022	1900 MHz	OK
3617	Head 2000MHz	March.20,2022	2000 MHz	OK
3617	Head 2300MHz	March.21,2022	2300 MHz	OK
3617	Head 2450MHz	March.21,2022	2450 MHz	OK
3617	Head 2600MHz	March.21,2022	2600 MHz	OK
3617	Head 3300MHz	March.21,2022	3300 MHz	OK
3617	Head 3500MHz	March.21,2022	3500 MHz	OK
3617	Head 3700MHz	March.21,2022	3700 MHz	OK
3617	Head 3900MHz	March.21,2022	3900 MHz	OK
3617	Head 4100MHz	March.22,2022	4100 MHz	OK
3617	Head 4200MHz	March.22,2022	4200 MHz	OK
3617	Head 4400MHz	March.22,2022	4400 MHz	OK
3617	Head 4600MHz	March.22,2022	4600 MHz	OK
3617	Head 4800MHz	March.22,2022	4800 MHz	OK
3617	Head 4950MHz	March.22,2022	4950 MHz	OK
3617	Head 5250MHz	March.23,2022	5250 MHz	OK
3617	Head 5600MHz	March.23,2022	5600 MHz	OK
3617	Head 5750MHz	March.23,2022	5750 MHz	OK