

FCC Radio Test Report

FCC ID: 2AYGCCHL-LX3

This report concerns: Original Grant

Project No. : 2012C016
Equipment : Smart Phone
Brand Name : HONOR
Test Model : CHL-LX3
Series Model : N/A
Applicant : Honor Device Co., Ltd.
Address : Suite 3401, Unit A, Building 6, Shum Yip Sky Park, No. 8089, Hongli West Road, Xiangmihu Street, Futian District, Shenzhen, Guangdong 518040, People's Republic of China
Manufacturer : Honor Device Co., Ltd.
Address : Suite 3401, Unit A, Building 6, Shum Yip Sky Park, No. 8089, Hongli West Road, Xiangmihu Street, Futian District, Shenzhen, Guangdong 518040, People's Republic of China
Date of Receipt : Dec. 04, 2020
Date of Test : Dec. 05, 2020 ~ Feb. 05, 2021
Issued Date : Mar. 01, 2021
Report Version : R00
Test Sample : Engineering Sample No.: DG20201210166 for conducted, DG20201210169 for radiated.
Standard(s) : 47 CFR FCC Part 22 Subpart H
47 CFR FCC Part 2
ANSI/TIA/EIA-603-E-2016
FCC KDB 971168 D01 Power Meas License Digital Systems v03r01

The above equipment has been tested and found compliance with the requirement of the relative standards by BTL Inc.

Vegeta Li

Prepared by : Vegeta Li

Steven Lu

Approved by : Steven Lu



Certificate #5123.02

Add: No.3, Jinshagang 1st Road, Shixia, Dalang Town, Dongguan, Guangdong, China.

Tel: +86-769-8318-3000

Web: www.newbtl.com

Declaration

BTL represents to the client that testing is done in accordance with standard procedures as applicable and that test instruments used has been calibrated with standards traceable to international standard(s) and/or national standard(s).

BTL's reports apply only to the specific samples tested under conditions. It is manufacture's responsibility to ensure that additional production units of this model are manufactured with the identical electrical and mechanical components. **BTL** shall have no liability for any declarations, inferences or generalizations drawn by the client or others from **BTL** issued reports.

The report must not be used by the client to claim product certification, approval, or endorsement by NIST, A2LA, or any agency of the U.S. Government.

This report is the confidential property of the client. As a mutual protection to the clients, the public and ourselves, the test report shall not be reproduced, except in full, without our written approval.

BTL's laboratory quality assurance procedures are in compliance with the **ISO/IEC 17025** requirements, and accredited by the conformity assessment authorities listed in this test report.

BTL is not responsible for the sampling stage, so the results only apply to the sample as received.

The information, data and test plan are provided by manufacturer which may affect the validity of results, so it is manufacturer's responsibility to ensure that the apparatus meets the essential requirements of applied standards and in all the possible configurations as representative of its intended use.

Limitation

For the use of the authority's logo is limited unless the Test Standard(s)/Scope(s)/Item(s) mentioned in this test report is (are) included in the conformity assessment authorities acceptance respective.

Please note that the measurement uncertainty is provided for informational purpose only and is not use in determining the Pass/Fail results.

Table of Contents	Page
REPORT ISSUED HISTORY	5
1 . SUMMARY OF TEST RESULTS	6
1.1 TEST FACILITY	7
1.2 MEASUREMENT UNCERTAINTY	7
1.3 TEST ENVIRONMENT CONDITIONS	7
2 . GENERAL INFORMATION	8
2.1 GENERAL DESCRIPTION OF EUT	8
2.2 DESCRIPTION OF TEST MODES	12
2.3 BLOCK DIGRAM SHOWING THE CONFIGURATIONOFSYSTEMTESTED	15
3.4 DESCRIPTION OF SUPPORT UNITS	15
3 . TEST RESULT	16
3.1 OUTPUT POWER MEASUREMENT	16
3.1.1 LIMIT	16
3.1.2 TEST PROCEDURE	16
3.1.3 TEST SETUP LAYOUT	16
3.1.4 TEST DEVIATION	16
3.1.5 TEST RESULTS	16
3.2 OCCUPIED BANDWIDTH MEASUREMENT	17
3.2.1 TEST PROCEDURE	17
3.2.2 TEST SETUP LAYOUT	17
3.2.3 TEST DEVIATION	17
3.2.4 TEST RESULTS	17
3.3 CONDUCTED SPURIOUS EMISSIONS MEASUREMENT	18
3.3.1 LIMIT	18
3.3.2 TEST PROCEDURES	18
3.3.3 TEST SETUP LAYOUT	18
3.3.4 TEST DEVIATION	18
3.3.5 TEST RESULTS	18
3.4 RADIATED SPURIOUS EMISSIONS MEASUREMENT	19
3.4.1 LIMIT	19
3.4.2 TEST PROCEDURES	19
3.4.3 TEST SETUP LAYOUT	20
3.4.4 TEST DEVIATION	21
3.4.5 TEST RESULTS (9KHZ TO 30MHZ)	21
3.4.6 TEST RESULTS (30MHZ TO 1000MHZ)	21
3.4.7 TEST RESULTS (ABOVE 1000MHZ)	21
3.5 BAND EDGE MEASUREMENT	22
3.5.1 LIMIT	22

Table of Contents	Page
3.5.2 TEST PROCEDURES	22
3.5.3 TEST SETUP LAYOUT	22
3.5.4 TEST DEVIATION	22
3.5.5 TEST RESULTS	22
3.6 PEAK TO AVERAGE RATIO MEASUREMENT	23
3.6.1 LIMIT	23
3.6.2 TEST PROCEDURES	23
3.6.3 TEST SETUP LAYOUT	23
3.6.4 TEST DEVIATION	23
3.6.5 TEST RESULTS	23
3.7 FREQUENCY STABILITY MEASUREMENT	24
3.7.1 LIMIT	24
3.7.2 TEST PROCEDURES	24
3.7.3 TEST SETUP LAYOUT	24
3.7.4 TEST DEVIATION	24
3.7.5 TEST RESULTS	24
4. LIST OF MEASUREMENT EQUIPMENTS	25
APPENDIX A - OUTPUT POWER	27
APPENDIX B - OCCUPIED BANDWIDTH	52
APPENDIX C - CONDUCTED SPURIOUS EMISSIONS	76
APPENDIX D - RADIATED SPURIOUS EMISSIONS (9KHZ TO 30MHZ)	85
APPENDIX E - RADIATED SPURIOUS EMISSIONS (30MHZ TO 1000MHZ)	90
APPENDIX F - RADIATED SPURIOUS EMISSIONS (ABOVE 1000MHZ)	127
APPENDIX G - BAND EDGE	164
APPENDIX H - PEAK TO AVERAGE RATIO	176
APPENDIX I - FREQUENCY STABILITY	190

REPORT ISSUED HISTORY

Report Version	Description	Issued Date
R00	Original Issue.	Mar. 01, 2021

1. SUMMARY OF TEST RESULTS

Test procedures according to the technical standard(s):

FCC Part 22 Subpart H & Part 2			
Standard(s) Section	Test Item	Judgment	Remark
2.1046 22.913(a)(5)	Effective Radiated Power	PASS	-----
2.1049	Occupied Bandwidth	PASS	-----
2.1051 22.917(a)	Conducted Spurious Emissions	PASS	-----
2.1053 22.917(a)	Radiated Spurious Emissions	PASS	-----
22.917(a)	Band Edge Measurements	PASS	-----
-	Peak To Average Ratio	PASS	Record Only
2.1055 22.355	Frequency Stability	PASS	-----

Note:

(1) "N/A" denotes test is not applicable in this test report.

1.1 TEST FACILITY

The test facilities used to collect the test data in this report is at the location of No.3, Jinshagang 1st Road, Shixia, Dalang Town, Dongguan, Guangdong, China.
 BTL's Test Firm Registration Number for FCC: 357015
 BTL's Designation Number for FCC: CN1240

1.2 MEASUREMENT UNCERTAINTY

ISO/IEC 17025 requires that an estimate of the measurement uncertainties associated with the emissions test results be included in the report. The measurement uncertainties given below are based on a 95% confidence level (based on a coverage factor ($k=2$))
 The BTL measurement uncertainty as below table:

A. Radiated Measurement:

Test Site	Method	Measurement Frequency Range	Ant. H / V	U,(dB)
DG-CB03 (3m)	CISPR	9KHz ~ 30MHz	V	3.79
		9KHz ~ 30MHz	H	3.57
		30MHz ~ 200MHz	V	4.88
		30MHz ~ 200MHz	H	4.14
		200MHz ~ 1,000MHz	V	4.62
		200MHz ~ 1,000MHz	H	4.80

Test Site	Method	Measurement Frequency Range	U,(dB)
DG-CB03 (3m)	CISPR	1GHz ~ 6GHz	4.58
		6GHz ~ 18GHz	5.18

B. Other Measurement:

Parameter	Uncertainty
Spectrum Bandwidth	±3.8 %
Maximum Output Power	±0.95 dB
Power Spectral Density	±0.86 dB
Frequency Stability	±0.16 dB
Temperature	±0.08 °C
Time	±0.58 %
Supply voltages	±0.3 %

Note: Unless specifically mentioned, the uncertainty of measurement has not been taken into account to declare the compliance or non-compliance to the specification.

1.3 TEST ENVIRONMENT CONDITIONS

Test Item	Temperature	Humidity	Test Voltage	Tested By
Output Power & ERP	24.6°C	46%	DC 3.87V	Tate Liu
Occupied Bandwidth	24.6°C	46%	DC 3.87V	Tate Liu
Conducted Spurious Emissions	24.6°C	46%	DC 3.87V	Tate Liu
Radiated Spurious Emissions	26°C	52%	AC 120V/60Hz	Jakyri Wen
Band Edge	24.6°C	46%	DC 3.87V	Tate Liu
Peak to Average Ratio	24.6°C	46%	DC 3.87V	Tate Liu
Frequency Stability	Normal & Extreme	46%	Normal & Extreme	Tate Liu

2. GENERAL INFORMATION

2.1 GENERAL DESCRIPTION OF EUT

Equipment	Smart Phone				
Brand Name	HONOR				
Test Model	CHL-LX3				
Series Model	N/A				
Model Difference(s)	N/A				
Hardware Version	HL3CHLM				
Software Version	5.0.0.80(C900E76R1P4)				
Power Source	1# DC voltage supplied from AC adapter. 2# Supplied from battery. 3# Supplied from USB port.				
Power Rating	1# (1) I/P: 100-240V ~ 50/60Hz, 1.2A O/P: 5V === 2A OR 9V === 2V OR 10V === 4A (2) I/P: 100-240V ~ 50/60Hz, 0.75A O/P: 5V === 2A OR 9V === 2V OR 10V === 2.25A 2# DC 3.87V, 3900mAh 3# DC 5V				
IEMI No.	Radiated	863891050002714			
	Conducted	863891050003043			
Modulation Type	GSM	GMSK			
	EDGE/GPRS	GMSK, 8PSK			
	WCDMA/HSDPA/HSUPA	UL: QPSK DL: QPSK, 16QAM			
	LTE	UL: QPSK, 16QAM DL: QPSK, 16QAM, 64QAM			
Max. ERP	GSM 850 / GPRS 850		GMSK	30.03	dBm
	EDGE 850		8PSK	24.12	dBm
	WCDMA Band V		QPSK	20.99	dBm
	HSDPA Band V		QPSK	20.04	dBm
	HSUPA Band V		QPSK	19.03	dBm
	LTE	Channel Bandwidth (MHz)	QPSK (dBm)	16QAM (dBm)	
	Band 5	1.4	21.32	20.43	
		3	21.33	20.59	
		5	21.26	20.39	
		10	21.34	20.44	
	Band 26	1.4	21.30	20.41	
		3	21.31	20.42	
		5	21.31	20.41	
10		21.32	20.29		
15		21.18	20.39		

Note:

1. For a more detailed features description, please refer to the manufacturer's specifications or the user's manual.

2. Channel List:

GSM 850				
Test Frequency ID	UARFCN	Frequency of Uplink (MHz)	UARFCN	Frequency of Downlink (MHz)
Low Range	128	824.2	137	869.2
Mid Range	190	836.6	199	881.6
High Range	251	848.8	260	893.8

WCDMA Band V				
Test Frequency ID	UARFCN	Frequency of Uplink (MHz)	UARFCN	Frequency of Downlink (MHz)
Low Range	4132	826.4	4357	871.4
Mid Range	4182	836.4	4407	881.4
High Range	4233	846.6	4458	891.6

LTE Band 5					
Test Frequency ID	Bandwidth (MHz)	N_{UL}	Frequency of Uplink (MHz)	N_{DL}	Frequency of Downlink (MHz)
Low Range	1.4	20407	824.7	2407	869.7
	3	20415	825.5	2415	870.5
	5	20425	826.5	2425	871.5
	10	20450	829	2450	874
Mid Range	1.4/3/5/10	20525	836.5	2525	881.5
High Range	1.4	20643	848.3	2643	893.3
	3	20635	847.5	2635	892.5
	5	20625	846.5	2625	891.5
	10	20600	844	2600	889

LTE Band 26					
Test Frequency ID	Bandwidth (MHz)	N _{UL}	Frequency of Uplink (MHz)	N _{DL}	Frequency of Downlink (MHz)
Low Range	1.4	26797	824.7	8797	869.7
	3	26805	825.5	8805	870.5
	5	26815	826.5	8815	871.5
	10	26840	829	8840	874
	15	26865	831.5	8865	876.5
Mid Range	1.4/3/5/10/15	26915	836.5	8915	881.5
High Range	1.4	27033	848.3	9033	893.3
	3	27025	847.5	9025	892.5
	5	27015	846.5	9015	891.5
	10	26990	844	8990	889
	15	26965	841.5	8965	886.5

3. Table for Filed Antenna:

Main Antenna

Brand	Model Name	Antenna Type	Connector	Gain (dBi)	Note
N/A	N/A	Internal	N/A	-1.6	GSM 850
N/A	N/A	Internal	N/A	-1.6	WCDMA Band V
N/A	N/A	Internal	N/A	-1.6	LTE Band 5
N/A	N/A	Internal	N/A	-1.6	LTE Band 26

Second Antenna

Brand	Model Name	Antenna Type	Connector	Gain (dBi)	Note
N/A	N/A	Internal	N/A	-1.4	GSM 850
N/A	N/A	Internal	N/A	-1.4	WCDMA Band V
N/A	N/A	Internal	N/A	-1.4	LTE Band 5
N/A	N/A	Internal	N/A	-1.4	LTE Band 26

Note: The antenna gain is provided by the manufacturer.

4. The EUT contains following accessory devices:

Items	Trademark / Manufacturer / Factory	Model Name	Description
Adapter	Honor Device Co., Ltd.	HW-100400E01 HW-100400U01 HW-100400B01 HW-100400A01	I/P: 100-240V ~50/60Hz, 1.2A O/P: 5V \equiv 2A OR 9V \equiv 2V OR 10V \equiv 4A
		HW-100400E02 HW-100400U02 HW-100400B02 HW-100400A02	
	Honor Device Co., Ltd. (Manufacturer: BYD / Huntkey / Phitek)	HW-100225E00	I/P: 100-240V ~50/60Hz, 0.75A O/P: 5V \equiv 2A OR 9V \equiv 2V OR 10V \equiv 2.25A
	Honor Device Co., Ltd. (Manufacturer: BYD / Huntkey)	HW-100225U00 HW-100225B00 HW-100225A00	
Rechargeable Li-ion Battery	Honor Device Co., Ltd. (Manufacturer: Sunwoda / Desay / SCUD)	HB446589EFW	DC 3.87V, 3900mAh
	Honor Device Co., Ltd. (Manufacturer: Sunwoda / Desay / SCUD / NVT)	HB446588EFW	
Earphone/ Headset	Jiangxi Lianchuang Hongsheng Electronic Co., LTD.	MEND1532B528A11	/
	BOLUO COUNTY QUANCHENG ELECTRONIC CO.,LTD.	1293-3283-3.5mm-339	
	FOXCONN INTERCONNECT TECHNOLOGY LIMITED	EPAB542-2WH05-DH	
Data Cable	NingBo Broad Telecommunication Co., Ltd.	WA0046	/
	Freeport Resources Enterprises Corp.	AU2-CHO006HF	
	MING JI ELECTRONICS CO., LTD.	213-00989-0	
	LUXSHARE PRECISION INDUSTRY CO., LTD.	L99UC138-CS-H	
	Freeport Resources Enterprises(JIANGXI) CO., LTD	18-93C2CHO-001HF	
	NingBo Broad Telecommunication Co., Ltd.	WA0020	
	LUXSHARE PRECISION INDUSTRY CO., LTD.	L99UC131-CS-H	
	MING JI ELECTRONICS CO., LTD.	203-1572-0	
	FUYU ELECTRONICAL TECHNOLOGY(HUAIAN)CO., LTD.	CUDU01B-HC295-EH	

*Adapter HW-100400E01, HW-100400U01, HW-100400B01 and HW-100400A01 have same board.
 Adapter HW-100400E02, HW-100400U02, HW-100400B02 and HW-100400A02 have same board.

2.2 DESCRIPTION OF TEST MODES

Following mode(s) is (were) found to be the worst case(s) and selected for the final test.

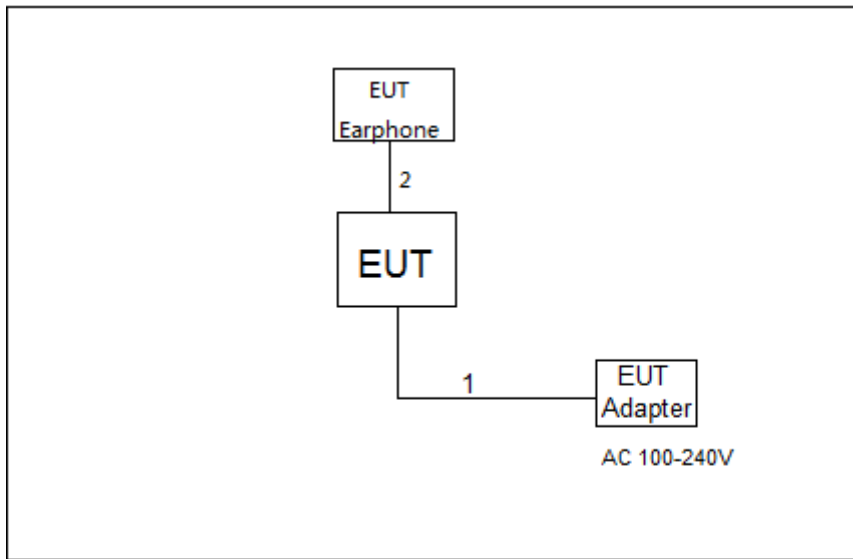
GSM MODE			
Test Item	Available Channel	Tested Channel	Mode
Output Power & ERP	128 to 251	128, 190, 251	GSM, GPRS, EDGE
Occupied Bandwidth	128 to 251	128, 190, 251	GSM, EDGE
Conducted Spurious Emissions	128 to 251	190	GSM, EDGE
Radiated Spurious Emissions	128 to 251	190	GSM
Band Edge	128 to 251	128, 251	GSM, EDGE
Peak to Average Ratio	128 to 251	128, 190, 251	GSM, EDGE
Frequency Stability	128 to 251	190	GSM

WCDMA BAND V MODE			
Test Item	Available Channel	Tested Channel	Mode
Output Power & ERP	4132 to 4233	4132, 4182, 4233	WCDMA, HSDPA, HSUPA
Occupied Bandwidth	4132 to 4233	4132, 4182, 4233	WCDMA, HSDPA, HSUPA
Conducted Spurious Emissions	4132 to 4233	4182	WCDMA
Radiated Spurious Emissions	4132 to 4233	4182	WCDMA
Band Edge	4132 to 4233	4132, 4233	WCDMA, HSDPA, HSUPA
Peak to Average Ratio	4132 to 4233	4132, 4182, 4233	WCDMA, HSDPA, HSUPA
Frequency Stability	4132 to 4233	4182	WCDMA

LTE BAND 5 MODE					
Test Item	Available Channel	Tested Channel	Channel Bandwidth	Modulation	Mode
Output Power & ERP	20407 to 20643	20407, 20525, 20643	1.4MHz	QPSK, 16QAM	1RB/3RB/6RB
	20415 to 20635	20415, 20525, 20635	3MHz	QPSK, 16QAM	1RB/8RB/15RB
	20425 to 20625	20425, 20525, 20625	5MHz	QPSK, 16QAM	1RB/12RB/25RB
	20450 to 20600	20450, 20525, 20600	10MHz	QPSK, 16QAM	1RB/25RB/50RB
Occupied Bandwidth	20407 to 20643	20407, 20525, 20643	1.4MHz	QPSK, 16QAM	6RB
	20415 to 20635	20415, 20525, 20635	3MHz	QPSK, 16QAM	15RB
	20425 to 20625	20425, 20525, 20625	5MHz	QPSK, 16QAM	25RB
	20450 to 20600	20450, 20525, 20600	10MHz	QPSK, 16QAM	50RB
Conducted Spurious Emissions	20407 to 20643	20525	1.4MHz	QPSK	1RB
	20425 to 20625	20525	5MHz	QPSK	1RB
	20450 to 20600	20525	10MHz	QPSK	1RB
Radiated Spurious Emissions	20407 to 20643	20525	1.4MHz	QPSK	1RB
	20425 to 20625	20525	5MHz	QPSK	1RB
	20450 to 20600	20525	10MHz	QPSK	1RB
Band Edge	20407 to 20643	20407, 20643	1.4MHz	QPSK	1RB/6RB
	20415 to 20635	20415, 20635	3MHz	QPSK	1RB/15RB
	20425 to 20625	20425, 20625	5MHz	QPSK	1RB/25RB
	20450 to 20600	20450, 20600	10MHz	QPSK	1RB/50RB
Peak To Average Ratio	20407 to 20643	20407, 20525, 20643	1.4MHz	QPSK, 16QAM	1RB
	20415 to 20635	20415, 20525, 20635	3MHz	QPSK, 16QAM	1RB
	20425 to 20625	20425, 20525, 20625	5MHz	QPSK, 16QAM	1RB
	20450 to 20600	20450, 20525, 20600	10MHz	QPSK, 16QAM	1RB
Frequency Stability	20407 to 20643	20525	1.4MHz	QPSK	1RB
	20415 to 20635	20525	3MHz	QPSK	1RB
	20425 to 20625	20525	5MHz	QPSK	1RB
	20450 to 20600	20525	10MHz	QPSK	1RB

LTE BAND 26 MODE					
Test Item	Available Channel	Tested Channel	Channel Bandwidth	Modulation	Mode
Output Power & ERP	26797 to 27033	26797, 26915, 27033	1.4MHz	QPSK, 16QAM	1RB/3RB/6RB
	26805 to 27025	26805, 26915, 27025	3MHz	QPSK, 16QAM	1RB/8RB/15RB
	26815 to 27015	26815, 26915, 27015	5MHz	QPSK, 16QAM	1RB/12RB/25RB
	26840 to 26990	26840, 26915, 26990	10MHz	QPSK, 16QAM	1RB/25RB/50RB
	26865 to 26965	26865, 26915, 26965	15MHz	QPSK, 16QAM	1RB/36RB/75RB
Occupied Bandwidth	26797 to 27033	26797, 26915, 27033	1.4MHz	QPSK, 16QAM	6RB
	26805 to 27025	26805, 26915, 27025	3MHz	QPSK, 16QAM	15RB
	26815 to 27015	26815, 26915, 27015	5MHz	QPSK, 16QAM	25RB
	26840 to 26990	26840, 26915, 26990	10MHz	QPSK, 16QAM	50RB
	26865 to 26965	26865, 26915, 26965	15MHz	QPSK, 16QAM	75RB
Conducted Spurious Emissions	26815 to 27015	226915	1.4MHz	QPSK	1RB
	26815 to 27015	226915	5MHz	QPSK	1RB
	26865 to 26965	226915	15MHz	QPSK	1RB
Radiated Spurious Emissions	26815 to 27015	226915	1.4MHz	QPSK	1RB
	26815 to 27015	226915	5MHz	QPSK	1RB
	26865 to 26965	226915	15MHz	QPSK	1RB
Band Edge	26797 to 27033	26797, 27033	1.4MHz	QPSK	1RB 6RB
	26805 to 27025	26805, 27025	3MHz	QPSK	1RB 15RB
	26815 to 27015	26815, 27015	5MHz	QPSK	1RB 25RB
	26840 to 26990	26840, 26990	10MHz	QPSK	1RB 50RB
	26865 to 26965	26865, 26965	15MHz	QPSK	1RB 75RB
Peak To Average Ratio	26797 to 27033	26797, 26915, 27033	1.4MHz	QPSK, 16QAM	1RB
	26805 to 27025	26805, 26915, 27025	3MHz	QPSK, 16QAM	1RB
	26815 to 27015	26815, 26915, 27015	5MHz	QPSK, 16QAM	1RB
	26840 to 26990	26840, 26915, 26990	10MHz	QPSK, 16QAM	1RB
	26865 to 26965	26865, 26915, 26965	15MHz	QPSK, 16QAM	1RB
Frequency Stability	26797 to 27033	226915	1.4MHz	QPSK	1RB
	26805 to 27025	226915	3MHz	QPSK	1RB
	26815 to 27015	226915	5MHz	QPSK	1RB
	26840 to 26990	226915	10MHz	QPSK	1RB
	26865 to 26965	226915	15MHz	QPSK	1RB

2.3 BLOCK DIGRAM SHOWING THE CONFIGURATION OF SYSTEM TESTED



3.4 DESCRIPTION OF SUPPORT UNITS

The EUT has been tested as an independent unit together with other necessary accessories or support units. The following support units or accessories were used to form a representative test configuration during the tests.

Item	Equipment	Mfr/Brand	Model/Type No.	Series No.
-	-	-	-	-

Item	Cable Type	Shielded Type	Ferrite Core	Length
1	USB Cable	YES	NO	1m
2	Audio Cable	NO	NO	1.1m

3. TEST RESULT

3.1 OUTPUT POWER MEASUREMENT

3.1.1 LIMIT

Mobile / Portable station are limited to 7 watts e.r.p.

3.1.2 TEST PROCEDURE

The testing follows FCC KDB 971168 v03r01 Section 5.

EIRP / ERP:

EIRP = Output Power + Antenan gain

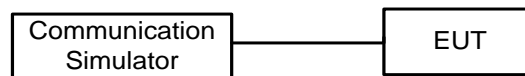
ERP = EIPR - 2.15dBi

Output Power:

The EUT was set up for the maximum power with GSM, GPRS, EDGE, WCDMA and LTE link data modulation and link up with simulator. Set the EUT to transmit under low, middle and high channel and record the power level shown on simulator.

3.1.3 TEST SETUP LAYOUT

Output Power Measurement



3.1.4 TEST DEVIATION

No deviation

3.1.5 TEST RESULTS

Please refer to the APPENDIX A.

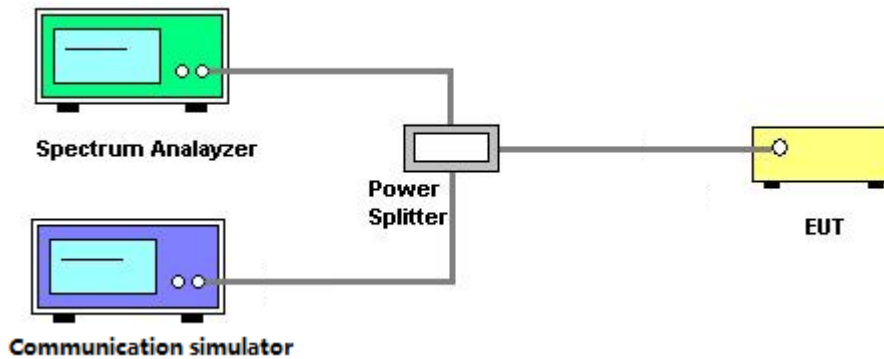
3.2 OCCUPIED BANDWIDTH MEASUREMENT

3.2.1 TEST PROCEDURE

The testing follows FCC KDB 971168 v03r01 Section 4.

1. The EUT makes a call to the communication simulator. All measurements were done at low, middle and high operational frequency range. The communication simulator station system controlled a EUT to export maximum output power under transmission mode and specific channel frequency. Use OBW measurement function of Spectrum analyzer to measure 99 % occupied bandwidth and 26dB bandwidth.
2. The EUT was connected to spectrum analyzer and system simulator via a power divider.
3. $RBW=(1\% \sim 5\%)*EBW$
 $VBW \geq 3* RBW$
4. Set spectrum analyzer with Peak detector.

3.2.2 TEST SETUP LAYOUT



3.2.3 TEST DEVIATION

No deviation

3.2.4 TEST RESULTS

Please refer to the APPENDIX B.

3.3 CONDUCTED SPURIOUS EMISSIONS MEASUREMENT

3.3.1 LIMIT

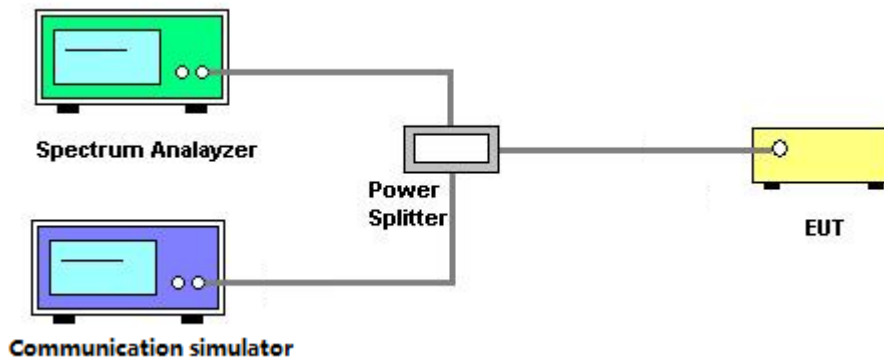
The power of any emission outside of the authorized operating frequency ranges must be attenuated below the transmitting power (P) by a factor of at least $43 + 10 \log(P)$ dB. The emission limit equal to -13dBm.

3.3.2 TEST PROCEDURES

The testing follows FCC KDB 971168 v03r01 Section 6.

1. The EUT was connected to spectrum analyzer and system simulator via a power divider.
2. The band edges of low and high channels for the highest RF powers were measured. Set RBW $\geq 1\%$ EBW in the 1MHz band immediately outside and adjacent to the band edge.
3. Set spectrum analyzer with Peak detector.
4. The RF fundamental frequency should be excluded against the limit line in the operating frequency band.

3.3.3 TEST SETUP LAYOUT



3.3.4 TEST DEVIATION

No deviation

3.3.5 TEST RESULTS

Please refer to the APPENDIX C.

3.4 RADIATED SPURIOUS EMISSIONS MEASUREMENT

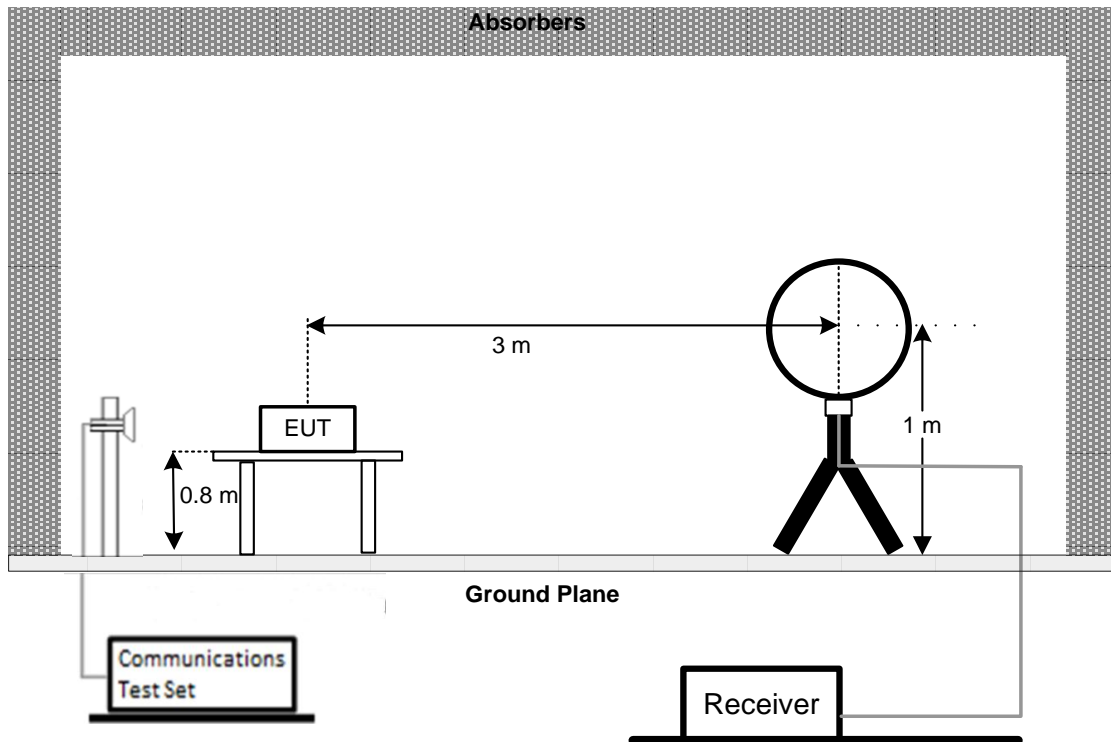
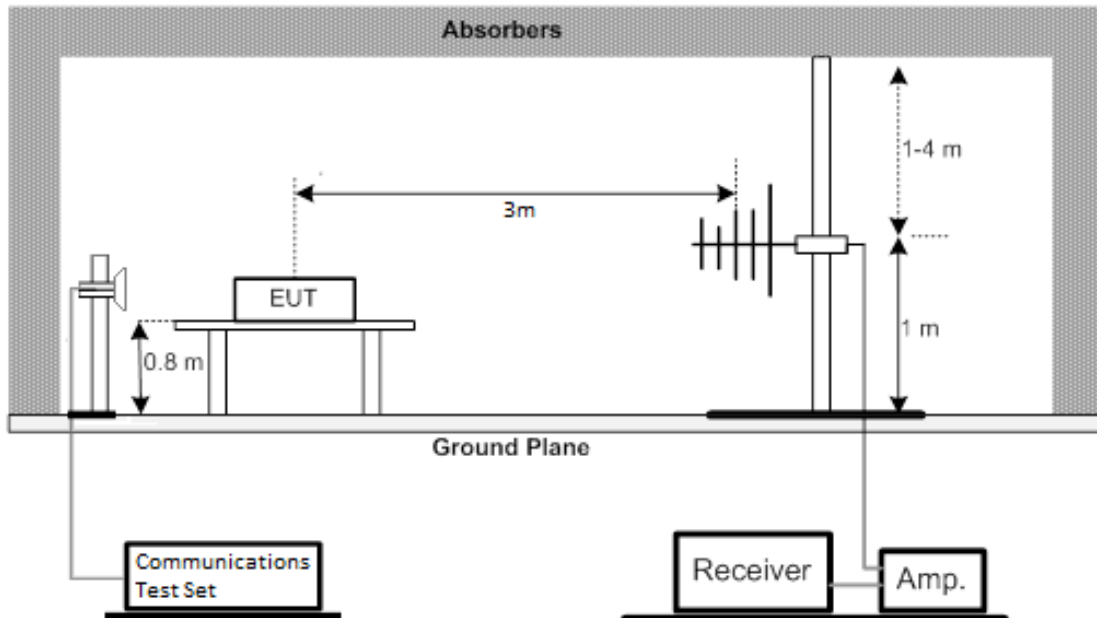
3.4.1 LIMIT

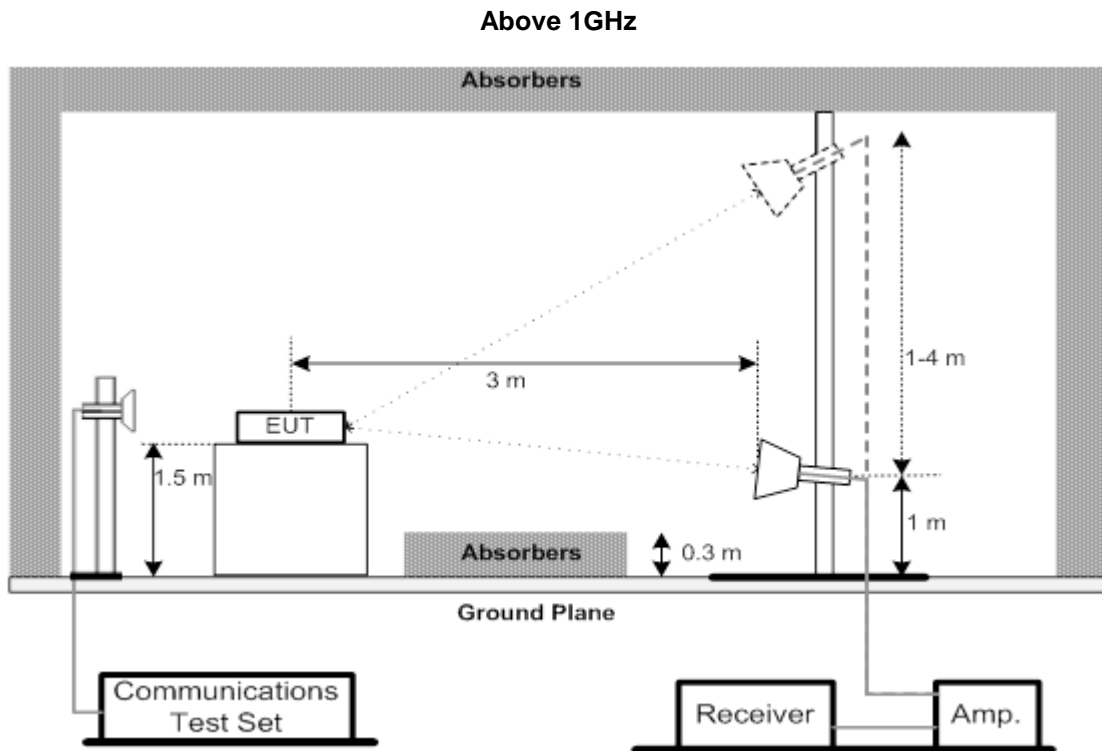
The power of any emission outside of the authorized operating frequency ranges must be attenuated below the transmitting power (P) by a factor of at least $43 + 10 \log(P)$ dB. The emission limit equal to -13dBm.

3.4.2 TEST PROCEDURES

The testing follows FCC KDB 971168 v03r01 Section 6.2.

1. Substitution method is used for E.I.R.P measurement. In the semi-anechoic chamber, EUT placed on the 0.8m height of Turn Table, rotated the table around 360 degrees to search the maximum radiation power and receiver antenna shall be rotated vertical and horizontal polarization and moved height from 1m to 4m to find the maximum polar radiated power. The "Read Value" is the spectrum reading the maximum power value.
2. The substitution horn antenna is substituted for EUT at the same position and signals generator export the CW signal to the substitution antenna via a TX cable. Rotated the Turn Table and moved receiving antenna to find the maximum radiation power. Adjust output power level of S.G to get a Value of spectrum reading equal to "Read Value " of step a. Record the power level of S.G
3. $EIRP = \text{Output power level of S.G} - \text{TX cable loss} + \text{Antenna gain of substitution horn.}$
4. ERP can be calculated form EIRP by subtracting the gain of dipole, $ERP = EIPR - 2.15\text{dBi.}$
5. The resolution bandwidth and video bandwidth of test receiver/spectrum analyzer is 1MHz/3MHz.

3.4.3 TEST SETUP LAYOUT**Below 30MHz****30MHz to 1000MHz**



3.4.4 TEST DEVIATION

No deviation

3.4.5 TEST RESULTS (9KHZ TO 30MHZ)

Please refer to the APPENDIX D.

3.4.6 TEST RESULTS (30MHZ TO 1000MHZ)

Please refer to the APPENDIX E.

3.4.7 TEST RESULTS (ABOVE 1000MHZ)

Please refer to the APPENDIX F.

3.5 BAND EDGE MEASUREMENT

3.5.1 LIMIT

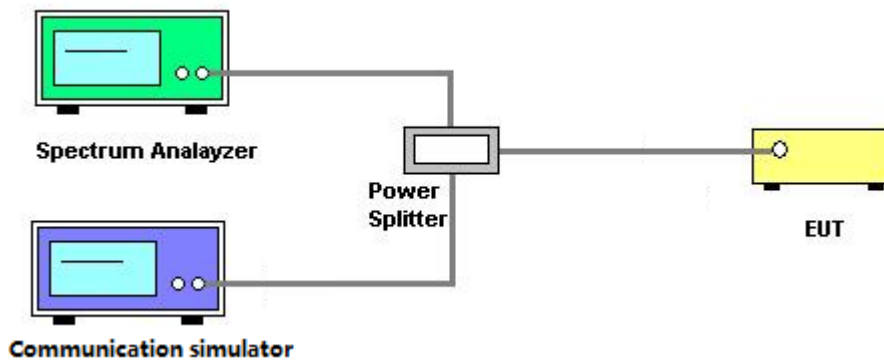
A Power of any emission outside of the authorized operating frequency ranges must be attenuated below the transmitting power (P) by a factor of at least $43 + 10 \log(P)$ dB. In the 1 MHz bands immediately outside and adjacent to the frequency block a resolution bandwidth of at least one percent of the emission bandwidth of the fundamental emission of the transmitter may be employed.

3.5.2 TEST PROCEDURES

The testing follows FCC KDB 971168 v03r01 Section 6.

1. All measurements were done at low and high operational frequency range.
2. Record the max trace plot into the test report.

3.5.3 TEST SETUP LAYOUT



3.5.4 TEST DEVIATION

No deviation

3.5.5 TEST RESULTS

Please refer to the APPENDIX G.

3.6 PEAK TO AVERAGE RATIO MEASUREMENT

3.6.1 LIMIT

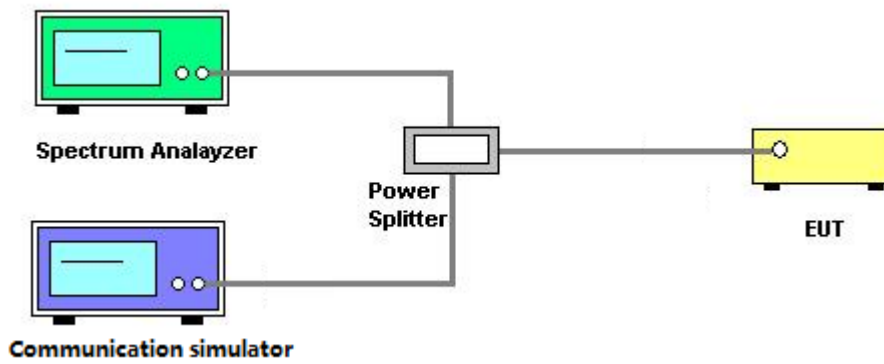
In measuring transmissions in this band using an average power technique, the peak to-average ratio (PAR) of the transmission may not exceed 13 dB.

3.6.2 TEST PROCEDURES

The testing follows FCC KDB 971168 v03r01 Section 5.7.

1. Set resolution/measurement bandwidth \geq signal's occupied bandwidth;
2. Set the number of counts to a value that stabilizes the measured CCDF curve;
3. Record the maximum PAPR level associated with a probability of 0.1%.

3.6.3 TEST SETUP LAYOUT



3.6.4 TEST DEVIATION

No deviation

3.6.5 TEST RESULTS

Please refer to the APPENDIX H.

3.7 FREQUENCY STABILITY MEASUREMENT

3.7.1 LIMIT

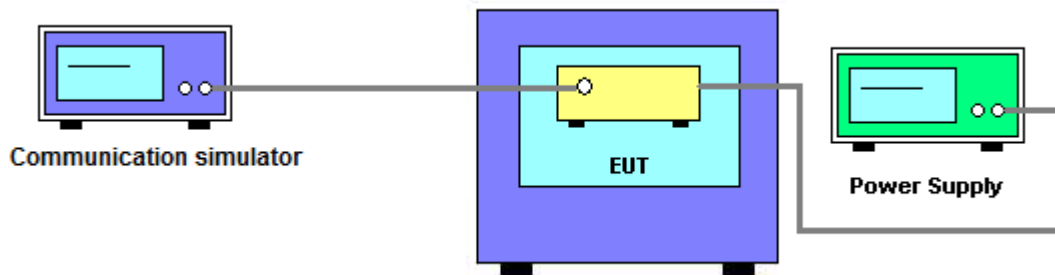
± 1.5 ppm is for base and fixed station. ± 2.5 ppm is for mobile station.

3.7.2 TEST PROCEDURES

The testing follows FCC KDB 971168 v03r01 Section 9.

1. Device is placed at the oven room. The oven room could control the temperatures and humidity. Power warm up is at least 15 min and power applied should perform before recording frequency error.
2. EUT is connected the external power supply to control the DC input power. The test voltage range is from minimum to maximum working voltage. Each step shall be record the frequency error rate.
3. The temperature range step is 10 degrees in this test items. All temperature levels shall be hold the $\pm 0.5^{\circ}\text{C}$ during the measurement testing. The each temperature step shall be at least 0.5 hours, consider the EUT could be test under the stability condition.
4. The frequency error was recorded frequency error from the communication simulator.

3.7.3 TEST SETUP LAYOUT



3.7.4 TEST DEVIATION

No deviation

3.7.5 TEST RESULTS

Please refer to the APPENDIX I.

4. LIST OF MEASUREMENT EQUIPMENTS

Radiated Spurious Emission Measurement					
Item	Kind of Equipment	Manufacturer	Type No.	Serial No.	Calibrated until
1	Antenna	Schwarzbeck	VULB9160	9160-3232	Mar. 09, 2021
2	Amplifier	Agilent	8449B	3008A02334	Feb. 28, 2022
3	High Pass Filter	Wairwright Instruments Gmbh	WHK 1.5/15G-10ST	11	Feb. 28, 2022
4	Band Reject Filter	Wairwright Instruments Gmbh	WRCG 1710/1785-1690/1805-6 0/12SS	38	Feb. 27, 2022
5	Band Reject Filter	Wairwright Instruments Gmbh	WRCG 824/849-810/863-60/9S S	7	Feb. 27, 2022
6	Band Reject Filter	Wairwright Instruments Gmbh	WRCG 880/915-860/935-60/9S S	14	Feb. 27, 2022
7	Band Reject Filter	Wairwright Instruments Gmbh	WRCG 1850/1910-1830/1930-6 0/10SS	17	Feb. 27, 2022
8	High Pass Filter	Wairwright Instruments Gmbh	WHK3.1/18G-10SS	24	Feb. 27, 2022
9	Wireless Communication Test SET	Agilent	E5515C	MY48364183	Feb. 28, 2022
10	Microwave Preamplicifier With Adaptor	EMC INSTRUMENT	EMC2654045	980039 & HA01	Mar. 07, 2021
11	Receiver	Agilent	N9038A	MY52130039	Jul. 25, 2021
12	wideband radio communication tester	R&S	CMW500	152372	Feb. 27, 2022
13	High pass filter	KANGMAIWEI	ZHPF-M3-12.75G-3869	B2015073763	Feb. 07, 2022
14	High pass filter	KANGMAIWEI	ZHPF-M1000-4000-1	B2015073762	Feb. 07, 2022
15	High pass filter	KANGMAIWEI	ZHPF-M6-186-1727	B2015073764	Feb. 07, 2022
16	Cable	emci	LMR-400(30MHz-1GHz) (8m+5m)	N/A	May 23, 2021
17	Cable	mitron	B10-01-01-12M	18072744	Jun. 28, 2021
18	Controller	ETS-Lindgren	2090	N/A	N/A
19	Measurement Software	Farad	EZ-EMC Ver.NB-03A1-01	N/A	N/A
20	Loop Antenna	EM	EM-6876-1	230	Apr. 16, 2021
21	Double Ridged Guide Antenna	ETS	3115	75846	Mar. 19, 2021
22	Broad-Band Horn Antenna	Schwarzbeck	BBHA 9170	9170319	Jul. 07, 2021

Conducted Measurement					
Item	Kind of Equipment	Manufacturer	Type No.	Serial No.	Calibrated until
1	Wireless Communication Test SET	Agilent	E5515C	MY48364183	Feb. 28, 2022
2	EXA Spectrum Analyzer	Agilent	N9010A	MY50520044	Feb. 28, 2022
3	POWER SPLITTER	Mini-Circuits	ZFRSC-123-S+	331000910-1	Feb. 27, 2022
4	wideband radio communication tester	R&S	CMW500	152372	Feb. 27, 2022

Frequency Stability Measurement					
Item	Kind of Equipment	Manufacturer	Type No.	Serial No.	Calibrated until
1	Wireless Communication Test SET	Agilent	E5515C	MY48364183	Feb. 28, 2022
2*	Multi-output DC Power Supply	GW Instek	GPC-3030DN	EK880675	Jul. 25, 2023
3	POWER SPLITTER	Mini-Circuits	ZFRSC-123-S+	331000910-1	Feb. 27, 2022
4	wideband radio communication tester	R&S	CMW500	152372	Feb. 27, 2022
5	Const Temp, & Humidity Chamber	Bell	BTH-50C	20170306001	Feb. 27, 2022

Remark: "N/A" denotes no model name, serial no. or calibration specified.
 Except * item, all calibration period of equipment list is one year.
 "**" calibration period of equipment list is three year.

APPENDIX A - OUTPUT POWER

Output Power for Main Antenna (dBm):

GSM850		128CH	190CH	251CH
		824.2MHz	836.6MHz	848.8MHz
GSM (CS)		33.15	33.18	33.20
GPRS/EDGE (GMSK)	1 Tx Slot	33.15	33.18	33.17
	2 Tx Slot	30.23	30.21	30.16
	3 Tx Slot	28.46	28.45	28.49
	4 Tx Slot	27.08	27.09	27.11
EDGE (8PSK)	1 Tx Slot	26.73	27.00	27.10
	2 Tx Slot	24.45	24.20	24.13
	3 Tx Slot	22.31	22.38	22.35
	4 Tx Slot	20.98	20.51	20.96

Modulation	Band	WCDMA Band V		
	Tx Channel	4132CH	4182CH	4233CH
	Frequency	826.4MHz	836.4MHz	846.6MHz
QPSK	RMC 12.2K	24.23	24.17	24.14
	RMC 64K	24.24	24.16	24.13
	RMC 144K	24.23	24.15	24.13
	RMC 384K	24.2	24.15	24.1
	HSDPA Subtest-1	23.29	23.19	23.17
	HSDPA Subtest-2	23.26	23.17	23.16
	HSDPA Subtest-3	22.83	22.72	22.7
	HSDPA Subtest-4	22.81	22.72	22.67
	HSUPA Subtest-1	21.08	21.22	21.16
	HSUPA Subtest-2	21.32	21.21	21.18
	HSUPA Subtest-3	22.27	22.2	22.06
	HSUPA Subtest-4	20.78	20.74	20.68
	HSUPA Subtest-5	22.25	22.17	22.15

LTE Band / BW	Modulation	RB Size	RB Offset	Low CH	Mid CH	High CH
				20407CH	20525CH	20643CH
				824.7MHz	836.5MHz	848.3MHz
5 / 1.4M	QPSK	1	0	24.26	24.12	24.00
		1	2	24.36	24.23	24.14
		1	5	24.19	24.10	23.99
		3	0	24.27	24.19	24.05
		3	1	24.30	24.24	24.10
		3	2	24.25	24.17	24.10
	16QAM	6	0	23.25	23.13	23.14
		1	0	23.27	23.10	23.29
		1	2	23.36	23.18	23.36
		1	5	23.23	23.09	23.27
		3	0	23.46	23.10	23.15
		3	1	23.46	23.12	23.19
		3	2	23.37	23.09	23.15
		6	0	22.49	22.26	21.98

LTE Band / BW	Modulation	RB Size	RB Offset	Low CH	Mid CH	High CH
				20415CH	20525CH	20635CH
				825.5MHz	836.5MHz	847.5MHz
5 / 3M	QPSK	1	0	24.22	24.14	24.10
		1	7	24.30	24.30	24.17
		1	14	24.16	24.11	24.06
		8	0	23.24	23.11	23.12
		8	4	23.25	23.19	23.18
		8	7	23.13	23.09	23.08
		15	0	23.18	23.06	23.07
	16QAM	1	0	23.22	23.36	23.04
		1	7	23.22	23.53	23.09
		1	14	23.04	23.39	22.91
		8	0	22.35	22.13	22.11
		8	4	22.36	22.21	22.14
		8	7	22.23	22.09	22.04
		15	0	22.20	22.08	22.00

LTE Band / BW	Modulation	RB Size	RB Offset	Low CH	Mid CH	High CH
				20425CH	20525CH	20625CH
				826.5MHz	836.5MHz	846.5MHz
5 / 5M	QPSK	1	0	24.26	24.04	24.06
		1	13	24.25	24.19	24.16
		1	24	24.11	23.97	24.05
		12	0	23.22	23.09	23.12
		12	6	23.16	23.14	23.15
		12	11	23.16	23.10	23.07
	16QAM	25	0	23.17	23.06	23.05
		1	0	23.32	23.48	23.13
		1	13	23.35	23.61	23.12
		1	24	23.21	23.44	23.00
		12	0	22.26	22.21	22.12
		12	6	22.26	22.24	22.17
		12	11	22.22	22.19	22.11
		25	0	22.21	22.15	21.99

LTE Band / BW	Modulation	RB Size	RB Offset	Low CH	Mid CH	High CH
				20450CH	20525CH	20600CH
				829.0MHz	836.5MHz	844.0MHz
5 / 10M	QPSK	1	0	24.24	24.16	24.07
		1	25	24.28	24.32	24.19
		1	49	24.10	24.13	24.06
		25	0	23.17	23.08	23.16
		25	13	23.21	23.11	23.11
		25	25	23.26	23.02	22.98
		50	0	23.21	23.03	23.06
	16QAM	1	0	23.17	23.46	23.05
		1	25	23.21	23.54	23.17
		1	49	22.97	23.42	22.88
		25	0	22.22	22.15	22.24
		25	13	22.23	22.14	22.16
		25	25	22.33	22.05	22.06
		50	0	22.22	22.05	22.09

LTE Band / BW	Modulation	RB Size	RB Offset	Low CH	Mid CH	High CH
				CH26797	CH26915	CH27033
				824.7MHz	836.5MHz	848.3MHz
26 / 1.4M	QPSK	1	0	24.09	24.12	24.10
		1	2	24.20	24.25	24.26
		1	5	24.13	24.11	24.10
		3	0	24.17	24.15	24.15
		3	1	24.23	24.20	24.19
		3	2	24.25	24.16	24.10
	16QAM	6	0	23.16	23.16	23.15
		1	0	23.20	23.11	23.32
		1	2	23.24	23.21	23.43
		1	5	23.20	23.10	23.32
		3	0	23.36	23.12	23.20
		3	1	23.41	23.15	23.22
		3	2	23.36	23.12	23.17
		6	0	22.35	22.24	21.99

LTE Band / BW	Modulation	RB Size	RB Offset	Low CH	Mid CH	High CH
				CH26805	CH26915	CH27025
				825.5MHz	836.5MHz	847.5MHz
26 / 3M	QPSK	1	0	24.11	24.13	24.08
		1	7	24.29	24.26	24.21
		1	14	24.19	24.14	24.07
		8	0	23.16	23.14	23.15
		8	4	23.23	23.17	23.17
		8	7	23.15	23.13	23.11
		15	0	23.17	23.11	23.06
	16QAM	1	0	23.10	23.40	23.03
		1	7	23.23	23.53	23.16
		1	14	23.16	23.40	22.96
		8	0	22.31	22.19	22.13
		8	4	22.34	22.21	22.15
		8	7	22.28	22.18	22.09
		15	0	22.23	22.13	22.01

LTE Band / BW	Modulation	RB Size	RB Offset	Low CH	Mid CH	High CH
				CH26815	CH26915	CH27015
				826.5MHz	836.5MHz	846.5MHz
26 / 5M	QPSK	1	0	24.15	24.01	24.01
		1	13	24.29	24.14	24.12
		1	24	24.12	24.01	24.05
		12	0	23.16	23.11	23.07
		12	6	23.17	23.18	23.13
		12	11	23.20	23.14	23.06
	16QAM	25	0	23.17	23.08	23.02
		1	0	23.28	23.14	23.13
		1	13	23.40	23.20	23.19
		1	24	23.25	23.12	23.09
		12	0	22.21	22.17	22.14
		12	6	22.25	22.22	22.18
		12	11	22.25	22.19	22.11
		25	0	22.28	22.07	22.06

LTE Band / BW	Modulation	RB Size	RB Offset	Low CH	Mid CH	High CH
				CH26840	CH26915	CH26990
				829MHz	836.5MHz	844MHz
26 / 10M	QPSK	1	0	24.14	24.15	24.08
		1	25	24.27	24.28	24.16
		1	49	24.09	24.16	24.13
		25	0	23.19	23.11	23.20
		25	13	23.19	23.16	23.12
		25	25	23.25	23.03	23.04
		50	0	23.23	23.06	23.07
	16QAM	1	0	23.12	23.45	23.20
		1	25	23.23	23.59	23.22
		1	49	23.00	23.43	23.01
		25	0	22.26	22.21	22.36
		25	13	22.25	22.22	22.24
		25	25	22.33	22.09	22.11
		50	0	22.26	22.11	22.14

LTE Band / BW	Modulation	RB Size	RB Offset	Low CH	Mid CH	High CH
				CH26865	CH26915	CH26965
				831.5MHz	836.5MHz	841.5MHz
26 / 15M	QPSK	1	0	24.13	24.15	24.09
		1	38	24.10	24.17	24.11
		1	74	24.03	24.03	24.15
		36	0	23.16	23.12	23.28
		36	18	23.15	23.20	23.16
		36	39	23.18	23.10	23.14
		75	0	23.18	23.09	23.22
	16QAM	1	0	23.07	23.46	23.39
		1	38	23.00	23.41	23.49
		1	74	22.91	23.32	23.25
		36	0	22.14	22.12	22.19
		36	18	22.11	22.16	22.11
		36	39	22.14	22.10	22.04
		75	0	22.16	22.10	22.16

ERP for Main Antenna (dBm):

GSM850		128CH	190CH	251CH
		824.2MHz	836.6MHz	848.8MHz
GSM (CS)		29.40	29.43	29.45
GPRS/EDGE (GMSK)	1 Tx Slot	29.40	29.43	29.42
	2 Tx Slot	26.48	26.46	26.41
	3 Tx Slot	24.71	24.70	24.74
	4 Tx Slot	23.33	23.34	23.36
EDGE (8PSK)	1 Tx Slot	22.98	23.25	23.35
	2 Tx Slot	20.70	20.45	20.38
	3 Tx Slot	18.56	18.63	18.60
	4 Tx Slot	17.23	16.76	17.21

Modulation	Band	WCDMA Band V		
	Tx Channel	4132CH	4182CH	4233CH
	Frequency	826.4MHz	836.4MHz	846.6MHz
QPSK	RMC 12.2K	20.48	20.42	20.39
	RMC 64K	20.49	20.41	20.38
	RMC 144K	20.48	20.40	20.38
	RMC 384K	20.45	20.40	20.35
	HSDPA Subtest-1	19.54	19.44	19.42
	HSDPA Subtest-2	19.51	19.42	19.41
	HSDPA Subtest-3	19.08	18.97	18.95
	HSDPA Subtest-4	19.06	18.97	18.92
	HSUPA Subtest-1	17.33	17.47	17.41
	HSUPA Subtest-2	17.57	17.46	17.43
	HSUPA Subtest-3	18.52	18.45	18.31
	HSUPA Subtest-4	17.03	16.99	16.93
	HSUPA Subtest-5	18.50	18.42	18.40

LTE Band / BW	Modulation	RB Size	RB Offset	Low CH	Mid CH	High CH
				20407CH	20525CH	20643CH
				824.7MHz	836.5MHz	848.3MHz
5 / 1.4M	QPSK	1	0	20.51	20.37	20.25
		1	2	20.61	20.48	20.39
		1	5	20.44	20.35	20.24
		3	0	20.52	20.44	20.30
		3	1	20.55	20.49	20.35
		3	2	20.50	20.42	20.35
	16QAM	6	0	19.50	19.38	19.39
		1	0	19.52	19.35	19.54
		1	2	19.61	19.43	19.61
		1	5	19.48	19.34	19.52
		3	0	19.71	19.35	19.40
		3	1	19.71	19.37	19.44
		3	2	19.62	19.34	19.40
		6	0	18.74	18.51	18.23

LTE Band / BW	Modulation	RB Size	RB Offset	Low CH	Mid CH	High CH
				20415CH	20525CH	20635CH
				825.5MHz	836.5MHz	847.5MHz
5 / 3M	QPSK	1	0	20.47	20.39	20.35
		1	7	20.55	20.55	20.42
		1	14	20.41	20.36	20.31
		8	0	19.49	19.36	19.37
		8	4	19.50	19.44	19.43
		8	7	19.38	19.34	19.33
		15	0	19.43	19.31	19.32
	16QAM	1	0	19.47	19.61	19.29
		1	7	19.47	19.78	19.34
		1	14	19.29	19.64	19.16
		8	0	18.60	18.38	18.36
		8	4	18.61	18.46	18.39
		8	7	18.48	18.34	18.29
		15	0	18.45	18.33	18.25

LTE Band / BW	Modulation	RB Size	RB Offset	Low CH	Mid CH	High CH
				20425CH	20525CH	20625CH
				826.5MHz	836.5MHz	846.5MHz
5 / 5M	QPSK	1	0	20.51	20.29	20.31
		1	13	20.50	20.44	20.41
		1	24	20.36	20.22	20.30
		12	0	19.47	19.34	19.37
		12	6	19.41	19.39	19.40
		12	11	19.41	19.35	19.32
	16QAM	25	0	19.42	19.31	19.30
		1	0	19.57	19.73	19.38
		1	13	19.60	19.86	19.37
		1	24	19.46	19.69	19.25
		12	0	18.51	18.46	18.37
		12	6	18.51	18.49	18.42
		12	11	18.47	18.44	18.36
		25	0	18.46	18.40	18.24

LTE Band / BW	Modulation	RB Size	RB Offset	Low CH	Mid CH	High CH
				20450CH	20525CH	20600CH
				829.0MHz	836.5MHz	844.0MHz
5 / 10M	QPSK	1	0	20.49	20.41	20.32
		1	25	20.53	20.57	20.44
		1	49	20.35	20.38	20.31
		25	0	19.42	19.33	19.41
		25	13	19.46	19.36	19.36
		25	25	19.51	19.27	19.23
		50	0	19.46	19.28	19.31
	16QAM	1	0	19.42	19.71	19.30
		1	25	19.46	19.79	19.42
		1	49	19.22	19.67	19.13
		25	0	18.47	18.40	18.49
		25	13	18.48	18.39	18.41
		25	25	18.58	18.30	18.31
		50	0	18.47	18.30	18.34

LTE Band / BW	Modulation	RB Size	RB Offset	Low CH	Mid CH	High CH
				CH26797	CH26915	CH27033
				824.7MHz	836.5MHz	848.3MHz
26 / 1.4M	QPSK	1	0	20.34	20.37	20.35
		1	2	20.45	20.50	20.51
		1	5	20.38	20.36	20.35
		3	0	20.42	20.40	20.40
		3	1	20.48	20.45	20.44
		3	2	20.50	20.41	20.35
	16QAM	6	0	19.41	19.41	19.40
		1	0	19.45	19.36	19.57
		1	2	19.49	19.46	19.68
		1	5	19.45	19.35	19.57
		3	0	19.61	19.37	19.45
		3	1	19.66	19.40	19.47
		3	2	19.61	19.37	19.42
		6	0	18.60	18.49	18.24

LTE Band / BW	Modulation	RB Size	RB Offset	Low CH	Mid CH	High CH
				CH26805	CH26915	CH27025
				825.5MHz	836.5MHz	847.5MHz
26 / 3M	QPSK	1	0	20.36	20.38	20.33
		1	7	20.54	20.51	20.46
		1	14	20.44	20.39	20.32
		8	0	19.41	19.39	19.40
		8	4	19.48	19.42	19.42
		8	7	19.40	19.38	19.36
		15	0	19.42	19.36	19.31
	16QAM	1	0	19.35	19.65	19.28
		1	7	19.48	19.78	19.41
		1	14	19.41	19.65	19.21
		8	0	18.56	18.44	18.38
		8	4	18.59	18.46	18.40
		8	7	18.53	18.43	18.34
		15	0	18.48	18.38	18.26

LTE Band / BW	Modulation	RB Size	RB Offset	Low CH	Mid CH	High CH
				CH26815	CH26915	CH27015
				826.5MHz	836.5MHz	846.5MHz
26 / 5M	QPSK	1	0	20.40	20.26	20.26
		1	13	20.54	20.39	20.37
		1	24	20.37	20.26	20.30
		12	0	19.41	19.36	19.32
		12	6	19.42	19.43	19.38
		12	11	19.45	19.39	19.31
	16QAM	25	0	19.42	19.33	19.27
		1	0	19.53	19.39	19.38
		1	13	19.65	19.45	19.44
		1	24	19.50	19.37	19.34
		12	0	18.46	18.42	18.39
		12	6	18.50	18.47	18.43
		12	11	18.50	18.44	18.36
		25	0	18.53	18.32	18.31

LTE Band / BW	Modulation	RB Size	RB Offset	Low CH	Mid CH	High CH
				CH26840	CH26915	CH26990
				829MHz	836.5MHz	844MHz
26 / 10M	QPSK	1	0	20.39	20.40	20.33
		1	25	20.52	20.53	20.41
		1	49	20.34	20.41	20.38
		25	0	19.44	19.36	19.45
		25	13	19.44	19.41	19.37
		25	25	19.50	19.28	19.29
	16QAM	50	0	19.48	19.31	19.32
		1	0	19.37	19.70	19.45
		1	25	19.48	19.84	19.47
		1	49	19.25	19.68	19.26
		25	0	18.51	18.46	18.61
		25	13	18.50	18.47	18.49
		25	25	18.58	18.34	18.36
		50	0	18.51	18.36	18.39

LTE Band / BW	Modulation	RB Size	RB Offset	Low CH	Mid CH	High CH
				CH26865	CH26915	CH26965
				831.5MHz	836.5MHz	841.5MHz
26 / 15M	QPSK	1	0	20.38	20.40	20.34
		1	38	20.35	20.42	20.36
		1	74	20.28	20.28	20.40
		36	0	19.41	19.37	19.53
		36	18	19.40	19.45	19.41
		36	39	19.43	19.35	19.39
		75	0	19.43	19.34	19.47
	16QAM	1	0	19.32	19.71	19.64
		1	38	19.25	19.66	19.74
		1	74	19.16	19.57	19.50
		36	0	18.39	18.37	18.44
		36	18	18.36	18.41	18.36
		36	39	18.39	18.35	18.29
		75	0	18.41	18.35	18.41

Output Power for Second Antenna (dBm):

GSM850		128CH	190CH	251CH
		824.2MHz	836.6MHz	848.8MHz
GSM (CS)		32.15	32.14	32.12
GPRS/EDGE (GMSK)	1 Tx Slot	33.01	33.58	33.56
	2 Tx Slot	30.65	30.62	30.57
	3 Tx Slot	28.85	28.86	28.84
	4 Tx Slot	27.52	27.51	27.49
EDGE (8PSK)	1 Tx Slot	27.67	27.61	27.43
	2 Tx Slot	24.29	24.59	24.62
	3 Tx Slot	22.57	22.66	22.76
	4 Tx Slot	21.42	21.30	21.23

Modulation	Band	WCDMA Band V		
	Tx Channel	4132CH	4182CH	4233CH
	Frequency	826.4MHz	836.4MHz	846.6MHz
QPSK	RMC 12.2K	24.53	24.49	24.44
	RMC 64K	24.53	24.48	24.43
	RMC 144K	24.54	24.48	24.44
	RMC 384K	24.51	24.46	24.42
	HSDPA Subtest-1	23.59	23.48	23.48
	HSDPA Subtest-2	23.57	23.47	23.46
	HSDPA Subtest-3	23.11	23.05	23.06
	HSDPA Subtest-4	23.13	23.05	23.01
	HSUPA Subtest-1	21.58	21.53	21.49
	HSUPA Subtest-2	21.57	21.53	21.5
	HSUPA Subtest-3	22.58	22.53	22.48
	HSUPA Subtest-4	21.1	21.05	21.02
	HSUPA Subtest-5	22.56	22.52	22.46

LTE Band / BW	Modulation	RB Size	RB Offset	Low CH	Mid CH	High CH
				20407CH	20525CH	20643CH
				824.7MHz	836.5MHz	848.3MHz
5 / 1.4M	QPSK	1	0	24.74	24.71	24.66
		1	2	24.86	24.84	24.80
		1	5	24.71	24.71	24.71
		3	0	24.87	24.76	24.72
		3	1	24.86	24.78	24.77
		3	2	24.85	24.74	24.68
	16QAM	6	0	23.82	23.75	23.74
		1	0	23.81	23.69	23.87
		1	2	23.85	23.79	23.97
		1	5	23.76	23.68	23.83
		3	0	23.98	23.70	23.74
		3	1	23.98	23.73	23.78
		3	2	23.97	23.70	23.75
		6	0	22.99	22.84	22.55

LTE Band / BW	Modulation	RB Size	RB Offset	Low CH	Mid CH	High CH
				20415CH	20525CH	20635CH
				825.5MHz	836.5MHz	847.5MHz
5 / 3M	QPSK	1	0	24.78	24.71	24.68
		1	7	24.86	24.88	24.77
		1	14	24.70	24.69	24.64
		8	0	23.80	23.68	23.71
		8	4	23.84	23.78	23.78
		8	7	23.67	23.67	23.70
		15	0	23.75	23.65	23.68
	16QAM	1	0	23.74	23.95	23.64
		1	7	23.78	24.14	23.71
		1	14	23.60	23.98	23.49
		8	0	22.93	22.74	22.70
		8	4	22.95	22.82	22.75
		8	7	22.79	22.72	22.69
		15	0	22.75	22.68	22.62

LTE Band / BW	Modulation	RB Size	RB Offset	Low CH	Mid CH	High CH
				20425CH	20525CH	20625CH
				826.5MHz	836.5MHz	846.5MHz
5 / 5M	QPSK	1	0	24.81	24.61	24.63
		1	13	24.80	24.73	24.75
		1	24	24.69	24.55	24.61
		12	0	23.76	23.66	23.70
		12	6	23.75	23.71	23.72
		12	11	23.70	23.65	23.65
	16QAM	25	0	23.74	23.61	23.61
		1	0	23.90	23.94	23.71
		1	13	23.89	23.66	23.73
		1	24	23.77	23.81	23.56
		12	0	22.82	22.80	22.74
		12	6	22.81	22.83	22.72
		12	11	22.79	22.77	22.69
		25	0	22.76	22.71	22.59

LTE Band / BW	Modulation	RB Size	RB Offset	Low CH	Mid CH	High CH
				20450CH	20525CH	20600CH
				829.0MHz	836.5MHz	844.0MHz
5 / 10M	QPSK	1	0	24.77	24.74	24.66
		1	25	24.81	24.89	24.76
		1	49	24.64	24.71	24.64
		25	0	23.71	23.67	23.75
		25	13	23.75	23.69	23.67
		25	25	23.85	23.58	23.55
		50	0	23.75	23.62	23.65
	16QAM	1	0	23.76	23.91	23.68
		1	25	23.74	23.84	23.81
		1	49	23.54	23.99	23.55
		25	0	22.78	22.73	22.89
		25	13	22.80	22.72	22.81
		25	25	22.89	22.64	22.67
		50	0	22.77	22.65	22.68

LTE Band / BW	Modulation	RB Size	RB Offset	Low CH	Mid CH	High CH
				CH26797	CH26915	CH27033
				824.7MHz	836.5MHz	848.3MHz
26 / 1.4M	QPSK	1	0	24.64	24.71	24.70
		1	2	24.79	24.82	24.85
		1	5	24.67	24.68	24.75
		3	0	24.74	24.73	24.73
		3	1	24.78	24.77	24.77
		3	2	24.77	24.78	24.69
	16QAM	6	0	23.74	23.75	23.74
		1	0	23.72	23.67	23.91
		1	2	23.79	23.79	23.70
		1	5	23.74	23.75	23.90
		3	0	23.90	23.71	23.81
		3	1	23.96	23.75	23.82
		3	2	23.89	23.69	23.75
		6	0	22.93	22.83	22.59

LTE Band / BW	Modulation	RB Size	RB Offset	Low CH	Mid CH	High CH
				CH26805	CH26915	CH27025
				825.5MHz	836.5MHz	847.5MHz
26 / 3M	QPSK	1	0	24.68	24.74	24.68
		1	7	24.84	24.86	24.82
		1	14	24.74	24.76	24.69
		8	0	23.72	23.71	23.76
		8	4	23.77	23.76	23.77
		8	7	23.72	23.71	23.73
		15	0	23.75	23.71	23.68
	16QAM	1	0	23.66	23.97	23.63
		1	7	23.78	23.84	23.71
		1	14	23.66	23.95	23.54
		8	0	22.85	22.78	22.72
		8	4	22.92	22.81	22.74
		8	7	22.83	22.78	22.69
		15	0	22.78	22.75	22.62

LTE Band / BW	Modulation	RB Size	RB Offset	Low CH	Mid CH	High CH
				CH26815	CH26915	CH27015
				826.5MHz	836.5MHz	846.5MHz
26 / 5M	QPSK	1	0	24.69	24.58	24.59
		1	13	24.86	24.71	24.72
		1	24	24.72	24.58	24.65
		12	0	23.74	23.69	23.66
		12	6	23.74	23.76	23.71
		12	11	23.78	23.71	23.64
	16QAM	25	0	23.73	23.66	23.62
		1	0	23.82	23.88	23.66
		1	13	23.96	23.88	23.74
		1	24	23.80	23.86	23.61
		12	0	22.80	22.84	22.72
		12	6	22.84	22.90	22.77
		12	11	22.86	22.85	22.70
		25	0	22.76	22.77	22.59

LTE Band / BW	Modulation	RB Size	RB Offset	Low CH	Mid CH	High CH
				CH26840	CH26915	CH26990
				829MHz	836.5MHz	844MHz
26 / 10M	QPSK	1	0	24.72	24.71	24.68
		1	25	24.87	24.87	24.78
		1	49	24.68	24.73	24.73
		25	0	23.79	23.70	23.76
		25	13	23.77	23.74	23.71
		25	25	23.83	23.64	23.60
	16QAM	50	0	23.80	23.65	23.65
		1	0	23.69	23.84	23.71
		1	25	23.82	23.82	23.80
		1	49	23.61	23.84	23.61
		25	0	22.85	22.78	22.91
		25	13	22.82	22.80	22.83
		25	25	22.90	22.71	22.71
		50	0	22.79	22.71	22.73

LTE Band / BW	Modulation	RB Size	RB Offset	Low CH	Mid CH	High CH
				CH26865	CH26915	CH26965
				831.5MHz	836.5MHz	841.5MHz
26 / 15M	QPSK	1	0	24.69	24.71	24.66
		1	38	24.65	24.72	24.70
		1	74	24.60	24.60	24.73
		36	0	23.75	23.68	23.87
		36	18	23.74	23.77	23.76
		36	39	23.78	23.69	23.70
		75	0	23.74	23.69	23.78
	16QAM	1	0	23.60	23.82	23.94
		1	38	23.57	23.90	23.87
		1	74	23.50	23.92	23.81
		36	0	22.71	22.69	22.78
		36	18	22.69	22.74	22.69
		36	39	22.70	22.69	22.62
		75	0	22.73	22.68	22.75

ERP for Second Antenna (dBm):

GSM850		128CH	190CH	251CH
		824.2MHz	836.6MHz	848.8MHz
GSM (CS)		28.60	28.59	28.57
GPRS/EDGE (GMSK)	1 Tx Slot	29.46	30.03	30.01
	2 Tx Slot	27.10	27.07	27.02
	3 Tx Slot	25.30	25.31	25.29
	4 Tx Slot	23.97	23.96	23.94
EDGE (8PSK)	1 Tx Slot	24.12	24.06	23.88
	2 Tx Slot	20.74	21.04	21.07
	3 Tx Slot	19.02	19.11	19.21
	4 Tx Slot	17.87	17.75	17.68

Modulation	Band	WCDMA Band V		
	Tx Channel	4132CH	4182CH	4233CH
	Frequency	826.4MHz	836.4MHz	846.6MHz
QPSK	RMC 12.2K	20.98	20.94	20.89
	RMC 64K	20.98	20.93	20.88
	RMC 144K	20.99	20.93	20.89
	RMC 384K	20.96	20.91	20.87
	HSDPA Subtest-1	20.04	19.93	19.93
	HSDPA Subtest-2	20.02	19.92	19.91
	HSDPA Subtest-3	19.56	19.50	19.51
	HSDPA Subtest-4	19.58	19.50	19.46
	HSUPA Subtest-1	18.03	17.98	17.94
	HSUPA Subtest-2	18.02	17.98	17.95
	HSUPA Subtest-3	19.03	18.98	18.93
	HSUPA Subtest-4	17.55	17.50	17.47
	HSUPA Subtest-5	19.01	18.97	18.91

LTE Band / BW	Modulation	RB Size	RB Offset	Low CH	Mid CH	High CH
				20407CH	20525CH	20643CH
				824.7MHz	836.5MHz	848.3MHz
5 / 1.4M	QPSK	1	0	21.19	21.16	21.11
		1	2	21.31	21.29	21.25
		1	5	21.16	21.16	21.16
		3	0	21.32	21.21	21.17
		3	1	21.31	21.23	21.22
		3	2	21.30	21.19	21.13
	16QAM	6	0	20.27	20.20	20.19
		1	0	20.26	20.14	20.32
		1	2	20.30	20.24	20.42
		1	5	20.21	20.13	20.28
		3	0	20.43	20.15	20.19
		3	1	20.43	20.18	20.23
		3	2	20.42	20.15	20.20
		6	0	19.44	19.29	19.00

LTE Band / BW	Modulation	RB Size	RB Offset	Low CH	Mid CH	High CH
				20415CH	20525CH	20635CH
				825.5MHz	836.5MHz	847.5MHz
5 / 3M	QPSK	1	0	21.23	21.16	21.13
		1	7	21.31	21.33	21.22
		1	14	21.15	21.14	21.09
		8	0	20.25	20.13	20.16
		8	4	20.29	20.23	20.23
		8	7	20.12	20.12	20.15
		15	0	20.20	20.10	20.13
	16QAM	1	0	20.19	20.40	20.09
		1	7	20.23	20.59	20.16
		1	14	20.05	20.43	19.94
		8	0	19.38	19.19	19.15
		8	4	19.40	19.27	19.20
		8	7	19.24	19.17	19.14
		15	0	19.20	19.13	19.07

LTE Band / BW	Modulation	RB Size	RB Offset	Low CH	Mid CH	High CH
				20425CH	20525CH	20625CH
				826.5MHz	836.5MHz	846.5MHz
5 / 5M	QPSK	1	0	21.26	21.06	21.08
		1	13	21.25	21.18	21.20
		1	24	21.14	21.00	21.06
		12	0	20.21	20.11	20.15
		12	6	20.20	20.16	20.17
		12	11	20.15	20.10	20.10
	16QAM	25	0	20.19	20.06	20.06
		1	0	20.35	20.39	20.16
		1	13	20.34	20.11	20.18
		1	24	20.22	20.26	20.01
		12	0	19.27	19.25	19.19
		12	6	19.26	19.28	19.17
		12	11	19.24	19.22	19.14
		25	0	19.21	19.16	19.04

LTE Band / BW	Modulation	RB Size	RB Offset	Low CH	Mid CH	High CH
				20450CH	20525CH	20600CH
				829.0MHz	836.5MHz	844.0MHz
5 / 10M	QPSK	1	0	21.22	21.19	21.11
		1	25	21.26	21.34	21.21
		1	49	21.09	21.16	21.09
		25	0	20.16	20.12	20.20
		25	13	20.20	20.14	20.12
		25	25	20.30	20.03	20.00
		50	0	20.20	20.07	20.10
	16QAM	1	0	20.21	20.36	20.13
		1	25	20.19	20.29	20.26
		1	49	19.99	20.44	20.00
		25	0	19.23	19.18	19.34
		25	13	19.25	19.17	19.26
		25	25	19.34	19.09	19.12
		50	0	19.22	19.10	19.13

LTE Band / BW	Modulation	RB Size	RB Offset	Low CH	Mid CH	High CH
				CH26797	CH26915	CH27033
				824.7MHz	836.5MHz	848.3MHz
26 / 1.4M	QPSK	1	0	21.09	21.16	21.15
		1	2	21.24	21.27	21.30
		1	5	21.12	21.13	21.20
		3	0	21.19	21.18	21.18
		3	1	21.23	21.22	21.22
		3	2	21.22	21.23	21.14
	16QAM	6	0	20.19	20.20	20.19
		1	0	20.17	20.12	20.36
		1	2	20.24	20.24	20.15
		1	5	20.19	20.20	20.35
		3	0	20.35	20.16	20.26
		3	1	20.41	20.20	20.27
		3	2	20.34	20.14	20.20
		6	0	19.38	19.28	19.04

LTE Band / BW	Modulation	RB Size	RB Offset	Low CH	Mid CH	High CH
				CH26805	CH26915	CH27025
				825.5MHz	836.5MHz	847.5MHz
26 / 3M	QPSK	1	0	21.13	21.19	21.13
		1	7	21.29	21.31	21.27
		1	14	21.19	21.21	21.14
		8	0	20.17	20.16	20.21
		8	4	20.22	20.21	20.22
		8	7	20.17	20.16	20.18
		15	0	20.20	20.16	20.13
	16QAM	1	0	20.11	20.42	20.08
		1	7	20.23	20.29	20.16
		1	14	20.11	20.40	19.99
		8	0	19.30	19.23	19.17
		8	4	19.37	19.26	19.19
		8	7	19.28	19.23	19.14
		15	0	19.23	19.20	19.07

LTE Band / BW	Modulation	RB Size	RB Offset	Low CH	Mid CH	High CH
				CH26815	CH26915	CH27015
				826.5MHz	836.5MHz	846.5MHz
26 / 5M	QPSK	1	0	21.14	21.03	21.04
		1	13	21.31	21.16	21.17
		1	24	21.17	21.03	21.10
		12	0	20.19	20.14	20.11
		12	6	20.19	20.21	20.16
		12	11	20.23	20.16	20.09
	16QAM	25	0	20.18	20.11	20.07
		1	0	20.27	20.33	20.11
		1	13	20.41	20.33	20.19
		1	24	20.25	20.31	20.06
		12	0	19.25	19.29	19.17
		12	6	19.29	19.35	19.22
		12	11	19.31	19.30	19.15
		25	0	19.21	19.22	19.04

LTE Band / BW	Modulation	RB Size	RB Offset	Low CH	Mid CH	High CH
				CH26840	CH26915	CH26990
				829MHz	836.5MHz	844MHz
26 / 10M	QPSK	1	0	21.17	21.16	21.13
		1	25	21.32	21.32	21.23
		1	49	21.13	21.18	21.18
		25	0	20.24	20.15	20.21
		25	13	20.22	20.19	20.16
		25	25	20.28	20.09	20.05
		50	0	20.25	20.10	20.10
	16QAM	1	0	20.14	20.29	20.16
		1	25	20.27	20.27	20.25
		1	49	20.06	20.29	20.06
		25	0	19.30	19.23	19.36
		25	13	19.27	19.25	19.28
		25	25	19.35	19.16	19.16
		50	0	19.24	19.16	19.18

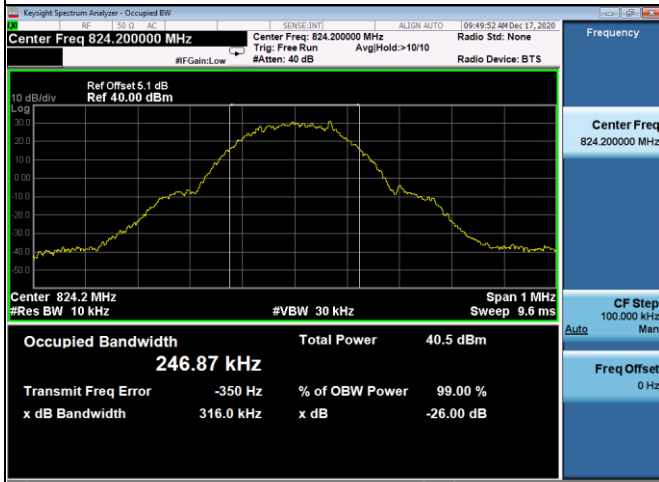
LTE Band / BW	Modulation	RB Size	RB Offset	Low CH	Mid CH	High CH
				CH26865	CH26915	CH26965
				831.5MHz	836.5MHz	841.5MHz
26 / 15M	QPSK	1	0	21.14	21.16	21.11
		1	38	21.10	21.17	21.15
		1	74	21.05	21.05	21.18
		36	0	20.20	20.13	20.32
		36	18	20.19	20.22	20.21
		36	39	20.23	20.14	20.15
		75	0	20.19	20.14	20.23
	16QAM	1	0	20.05	20.27	20.39
		1	38	20.02	20.35	20.32
		1	74	19.95	20.37	20.26
		36	0	19.16	19.14	19.23
		36	18	19.14	19.19	19.14
		36	39	19.15	19.14	19.07
		75	0	19.18	19.13	19.20

APPENDIX B - OCCUPIED BANDWIDTH

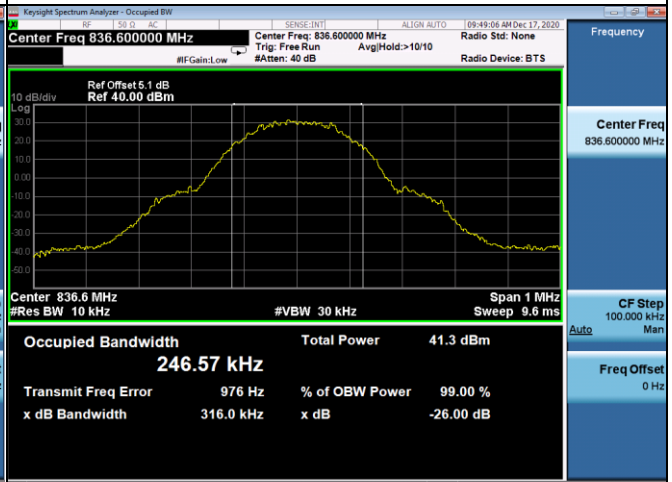
GSM850					
GSM			EDGE		
CS			8PSK		
Channel	Frequency (MHz)	99% Occupied Bandwidth (MHz)	Channel	Frequency (MHz)	99% Occupied Bandwidth (MHz)
128	824.2	0.2469	128	824.2	0.3160
190	836.6	0.2466	190	836.6	0.3160
251	848.8	0.2443	251	848.8	0.3197
Channel	Frequency (MHz)	26dB Bandwidth (MHz)	Channel	Frequency (MHz)	26dB Bandwidth (MHz)
128	824.2	0.2527	128	824.2	0.3240
190	836.6	0.2498	190	836.6	0.3091
251	848.8	0.2522	251	848.8	0.3215

Spectrum Plot

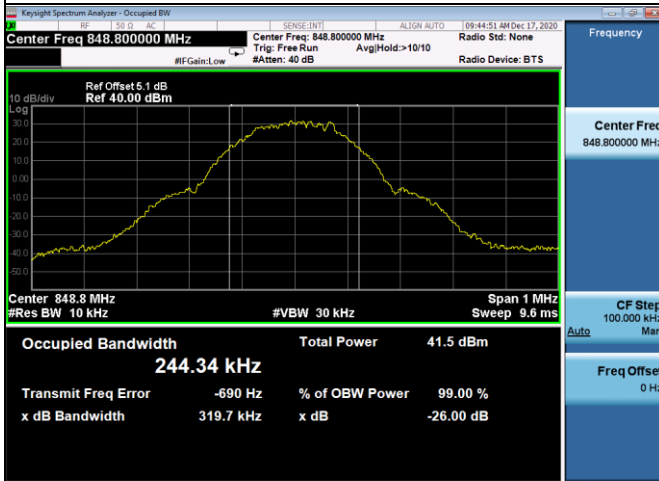
GSM-128



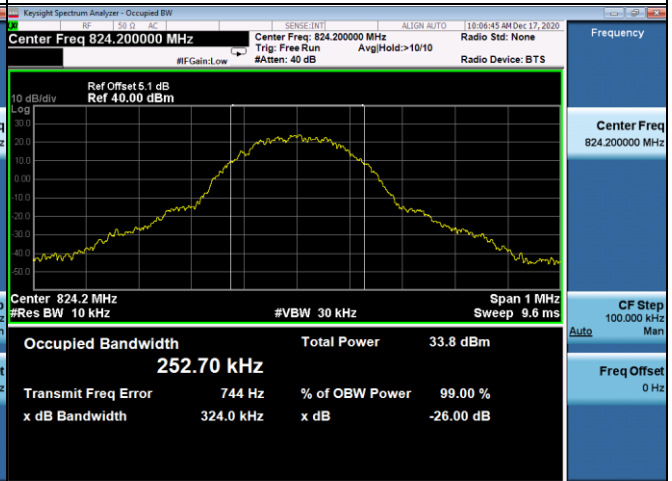
GSM-190



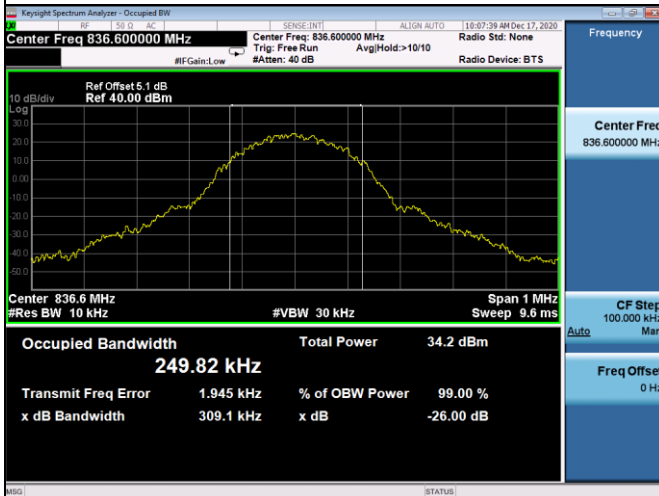
GSM-251



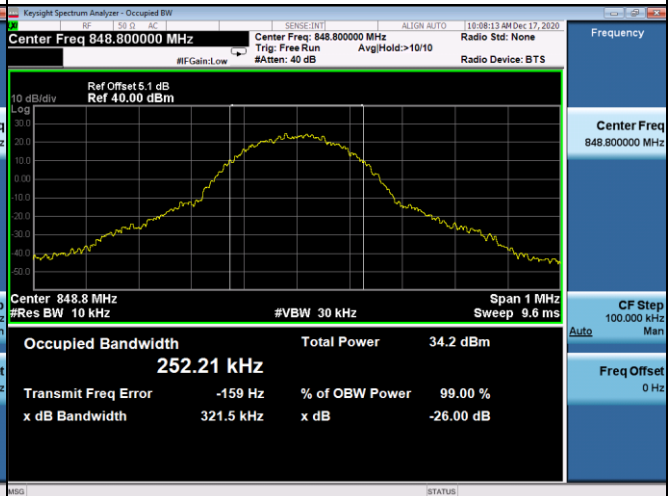
EDGE-128



EDGE-190



EDGE-251



WCDMA Band V_WCDMA					
QPSK					
Channel	Frequency (MHz)	99% Occupied Bandwidth (MHz)	Channel	Frequency (MHz)	26dB Bandwidth (MHz)
4132	826.4	4.1873	4132	826.4	4.729
4182	836.4	4.1655	4182	836.4	4.715
4233	846.6	4.1691	4233	846.6	4.741



WCDMA Band V_HSDPA					
QPSK					
Channel	Frequency (MHz)	99% Occupied Bandwidth (MHz)	Channel	Frequency (MHz)	26dB Bandwidth (MHz)
4132	826.4	4.1773	4132	826.4	4.728
4182	836.4	4.1707	4182	836.4	4.717
4233	846.6	4.1742	4233	846.6	4.729

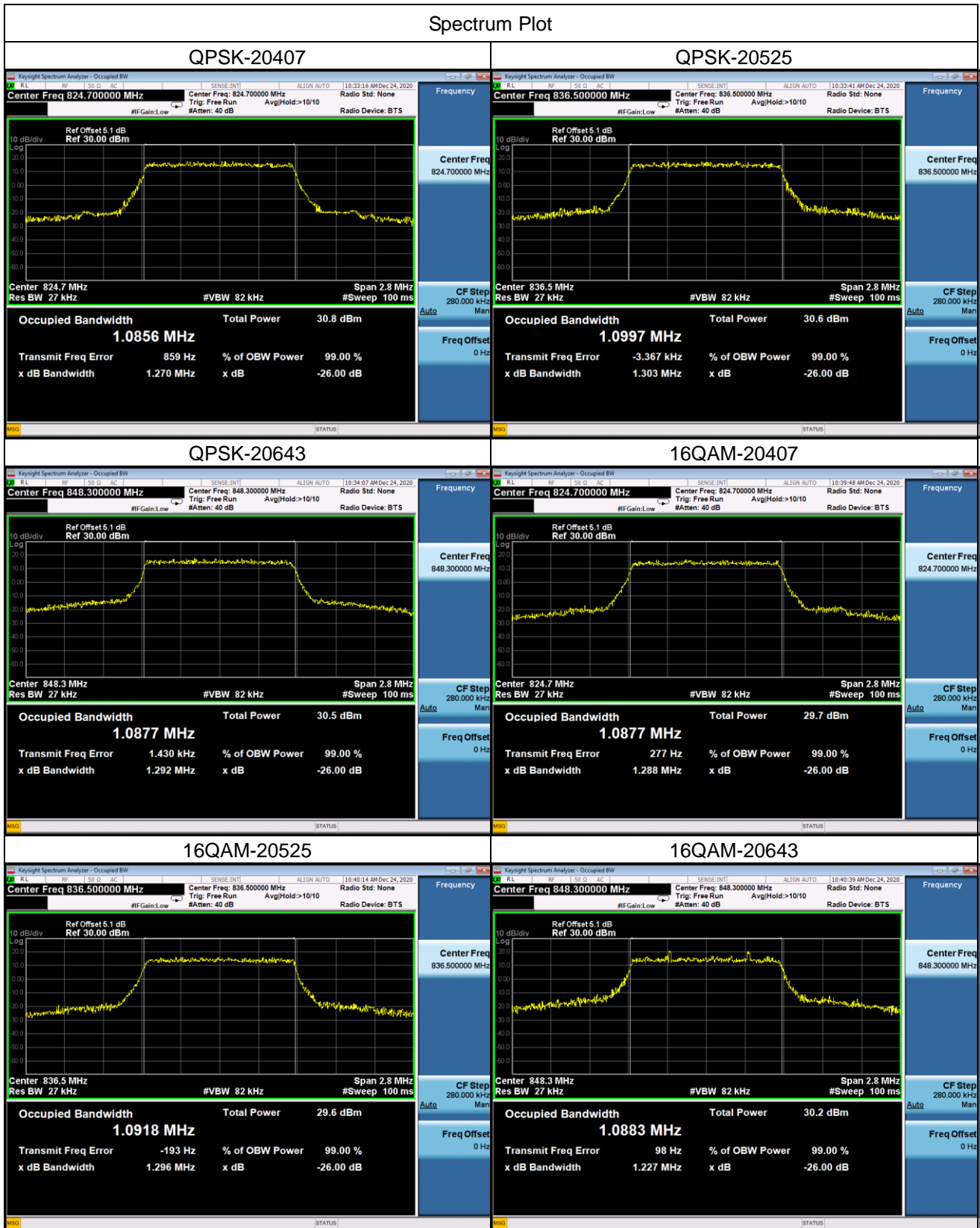


WCDMA Band V_HSUPA					
QPSK					
Channel	Frequency (MHz)	99% Occupied Bandwidth (MHz)	Channel	Frequency (MHz)	26dB Bandwidth (MHz)
4132	826.4	4.2351	4132	826.4	5.028
4182	836.4	4.2074	4182	836.4	4.737
4233	846.6	4.1605	4233	846.6	4.721



LTE Band 5_1.4M					
QPSK					
Channel	Frequency (MHz)	99% Occupied Bandwidth (MHz)	Channel	Frequency (MHz)	26dB Bandwidth (MHz)
20407	824.7	1.0856	20407	824.7	1.270
20525	836.5	1.0997	20525	836.5	1.303
20643	848.3	1.0877	20643	848.3	1.292
16QAM					
Channel	Frequency (MHz)	99% Occupied Bandwidth (MHz)	Channel	Frequency (MHz)	26dB Bandwidth (MHz)
20407	824.7	1.0877	20407	824.7	1.288
20525	836.5	1.0918	20525	836.5	1.296
20643	848.3	1.0883	20643	848.3	1.227

Spectrum Plot



LTE Band 5_3M					
QPSK					
Channel	Frequency (MHz)	99% Occupied Bandwidth (MHz)	Channel	Frequency (MHz)	26dB Bandwidth (MHz)
20415	825.5	2.6829	20415	825.5	2.916
20525	836.5	2.6880	20525	836.5	2.911
20635	847.5	2.6898	20635	847.5	2.910
16QAM					
Channel	Frequency (MHz)	99% Occupied Bandwidth (MHz)	Channel	Frequency (MHz)	26dB Bandwidth (MHz)
20415	825.5	2.6894	20415	825.5	2.916
20525	836.5	2.6911	20525	836.5	2.915
20635	847.5	2.6843	20635	847.5	2.908