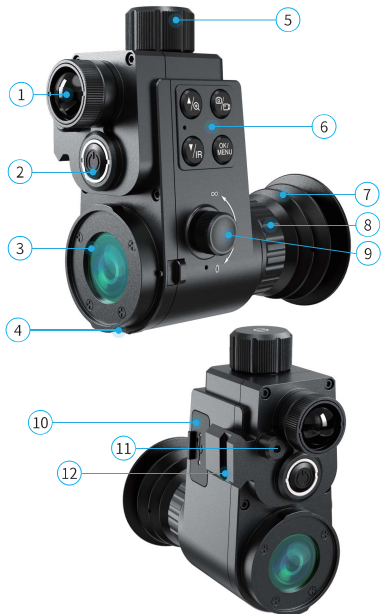


# HT-88 Digital Night Vision

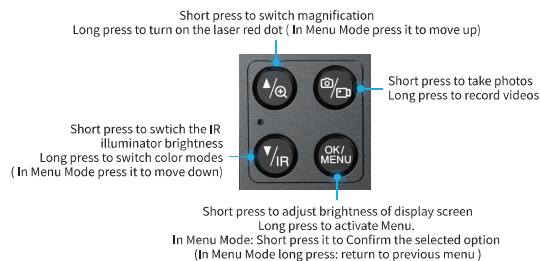
## Instruction Manual



Shenzhen Shi Yutong Technology Co. LTD



|   |                                    |
|---|------------------------------------|
| ① Stretchable IR lamp                     | ② Power/Sleep button               |
| ③ Objective lens                          | ④ 1/4 source nipple                |
| ⑤ Battery compartment cap                 | ⑥ Function buttons                 |
| ⑦ Eye shade                               | ⑧ Eyepiece dioptre adjustment ring |
| ⑨ Objective lens focusing adjustment ring | ⑩ TF slot/USB port                 |
| ⑪ laser red dot                           | ⑫ Picatinny rail                   |



## Cautions

1.Please do not look directly at IR lamp at a close distance, otherwise it will cause damage to eyes!

2.The IR lamp will focus much energy when it is turned on. It is strictly prohibited to aim at combustible objects at a close distance, otherwise it may cause fire disaster. Please turn off IR lamp when not in use, or make the device into sleep mode!

3.Please use rechargeable battery with rated voltage of 3.7V.

4.Do not disassemble the device without permission. Please contact the seller or manufacturer in time if there is any problem, otherwise it will be considered to give up the warranty service!

**Note: Only suitable for charging voltage below 5v. Do not charge the device with voltage over 5v.**

**Note: Our products are fixed on the equipment and controlled by WiFi connected app. They can't be close to human eyes and will be damaged. They can only be used fixedly, with a distance of more than 20cm from human body.**

## Components

1\*HT-88 ; 1\* Micro USB cable; 1\*Adapter;  
2\*Hex-nut wrenches; 1\* Cotton bag; 1\*Power Adapter;  
Storage card is not included. Please prepare a TF card (128g maximum) for data storage.

## Installation

### 1. Battery

Please use lithium chargeable 3.7V battery 18650. Remove battery compartment cap and make sure setting the positive polar towards to the direction inward. Put the cap back and rotate it tightly.

### 2. Adjustments

Turn on the device after the installation of battery. First, rotate and adjust the eyepiece dioptre adjustment ring until you see the four-character icon on the screen ( there's no need to see a crisp image ), then rotate the Objective lens adjustment ring until you can see the target clearly. Second, switch to different modes and test the functions available.

### 3. Adapter installation

Outfit the adapter to front side of the device, rotate it to the bottom to fix the adapter tightly. Fix the device with screws while the black tapes can also help.

## Menu Instructions

### 1.Center Position Adjustment

Long press Menu button to enter into Main Menu.Short press Menu button to get the submenu X/Y/SAVE.  
Switch between X/Y/SAVE by short press of Camera button. Press UP/Down button to adjust the X or Y values until the reticle moves to the center of the image.  
Short press Camera button to switch to SAVE option. Short press Menu button to save.

### 2.Picture in Picture

Press OK button to enter into the submenu:Close/2.0X/3.0X/4.0X. Press UP/DOWN button to select one of the options.Short press OK button to save.

### 3.Picture in Picture Adjustment

Make sure the Picture in Pictures is open before adjusting the position.Press OK button to enter into the submenu.Short press Menu button to get the options X/Y/SAVE.Switch between X/Y/SAVE by short press of Camera button. Press UP/Down button to adjust the X or Y values.Select Save and press OK button to confirm.

### 9.Cycle Record

Press OK button to get the 4 options:Close/3 minutes/5 minutes/10 minutes.Press OK button to confirm. The option takes effect after restart of the device. The default mode is Close.

### 10.Time Stamp

Press OK button to get the 2 options: Close/Open. Press OK button to confirm. Time will be showed in the videos.The default mode is Close.

### 11.Record Audio

Press OK button to get the 2 options: Close/Open. Press OK button to confirm. The videos will have sound if Open is confirmed.The default mode is Close.

### 12.Playback

Long press the camera button to record videos. Short press the camera button to take pictures.Select Playback to check the previous videos or pictures.

### 13.WiFi

Press OK button to get the 2 options: Close/Open. The default mode is Close.

1. Turn on WIFI both in menu and phone, find APPshow-... and the password is 12345678.
2. Taking pictures/ Video Recording can be checked through APP, APP can control ON/OFF REC button but the device can not control the APP.

### 4.Power on Digital Zoom

Select the magnification from 6 options“1.0x/ 1.5x/ 2.0x/ 2.5x/ 3.0x/ 3.5x” and Press OK button to confirm. The options will take effect only after restart of the device. The default magnification is 1.0X.

### 5.Power on Color

Press OK button to enter into submenu: Colorful,Black/White,Green. Press UP/DOWN button to select from the 3 color modes.Press OK button to confirm.

### 6.Default IR Luminance

Press OK button to enter into submenu: Close/1/2/3. Press OK button to confirm.

### 7.OLED Brightness

Press OK button to enter into the submenu: Super dark/Dark/Normal/Bright/Super bright.Press OK button to confirm. The default brightness is Normal.

### 8.Auto Record

Press OK button to get the two options:Close/Open.Select Open and press OK button to confirm. Restart the device and the Auto Recording is Open.

### 14.EV Compensate

Select from the options:-2、-5/3、-4/3、-1、-2/3、-1/3、+0/0、+1/3、+2/3、+1、+4/3、+5/3、+2,Press OK button to confirm. The default mode is +0/0.

### 15.Date/Time

Press OK button to get the submenu. Switch between the options by short press of Camera button. Change the option values by press of UP/DOWN button. Press OK button to confirm. Quit by long press the OK button.

### 16.Language

Select a language with UP/DOWN button and confirm with a short press of OK button.

### 17.Format

Press OK button to get the submenu: Cancel/Sure.Press OK button to confirm.

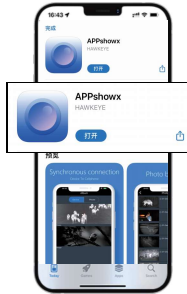
### 18.Default setting

Press OK button to get the submenu: Cancel/Sure.Press OK button to confirm.  
The system will be restored to the factory default setting after confirmation.

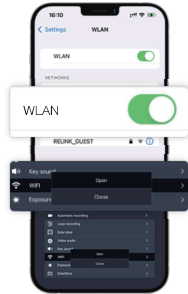
## APP Download/Connection



Android/iOS Scan and Download



Download and install APP APPshowx



Turn on WIFI on your phone and device



Turn on APP APPshowx



Select wifi "APPshow-..." and connect (WIFI password: 12345678)

## Specifications

|                       |         |               |             |                      |                    |
|-----------------------|---------|---------------|-------------|----------------------|--------------------|
| Model                 | HT-88   | Battery       | 18650X1     | Dimenstions          | 115.4×61.55 x103mm |
| Magnificaiton         | 1X-3.5X | Focusing      | 2.5cm-∞     | OLED resolution      | 1920X1080          |
| Voltage               | 3.7V    | IR wavelength | 850nm/940nm | IR power             | 5W                 |
| IR detection distance | 300m    | Output type   | MP4         | Data transmission    | WIFI               |
| Frame rate            | 30fps   | Battery life  | > 8h        | Recording resolution | 1920X1080          |
| Storage type          | TF card | Device Weight | 270g        | Waterproof rating    | IP66               |

## Warranty

Thank you for buying this product, we will comply with the warranty terms to provide you with the highest quality service.

### —: Warranty Policy

We guarantee to the users of this product that the warranty will be effective under the following conditions.

- (1) This warranty card shall be provided at the same time.
- (2) During the warranty period, non-human factors caused by the fault, free replacement of spare parts will be offered accordingly and the maintaince service is for free.

### —: Warranty Limits

No warranty will be provided if the damage is caused by the following reasons:

- (1) Do not disassemble the night vision device by yourself. If there is any trouble, please contact the factory in time. If the repair, modification or product seal sticker is not approved by the company, it will not be covered by the warranty.
- (2) All damage caused by human factors or accidental product damage, including use in abnormal working conditions, damage caused by failure to follow the instructions and installation, is not covered by the warranty.
- (3) The manufacturer reserves the rights of modification and interpretation for above terms.

### FCC WARNING

This device complies with part 15 of the FCC Rules. Operation is subject to the following two conditions: (1) this device may not cause harmful interference, and (2) this device must accept any interference received, including interference that may cause undesired operation. Any changes or modifications not expressly approved by the party responsible for compliance could void the user's authority to operate the equipment.

NOTE: This equipment has been tested and found to comply with the limits for a Class B digital device, pursuant to Part 15 of the FCC Rules. These limits are designed to provide reasonable protection against harmful interference in a residential installation. This equipment generates, uses and can radiate radio frequency energy and, if not installed and used in accordance with the instructions, may cause harmful interference to radio communications. However, there is no guarantee that interference will not occur in a particular installation.

If this equipment does cause harmful interference to radio or television reception, which can be determined by turning the equipment off and on, the user is encouraged to try to correct the interference by one or more of the following measures:

- Reorient or relocate the receiving antenna.
  - Increase the separation between the equipment and receiver.
  - Connect the equipment into an outlet on a circuit different from that to which the receiver is connected.
  - Consult the dealer or an experienced radio/TV technician for help.
- To maintain compliance with FCC's RF Exposure guide lines, This equipment should be installed and operated with minimum distance between 20cm the radiator your body: Use only the supplied antenna.