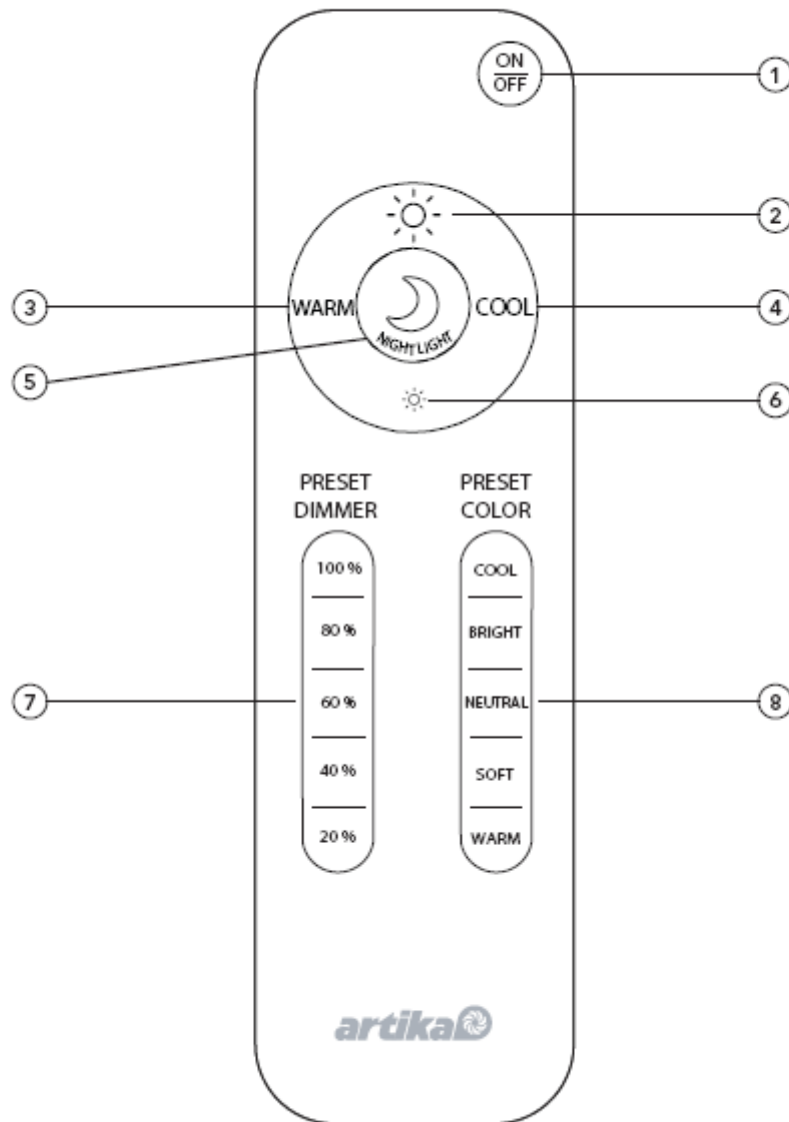
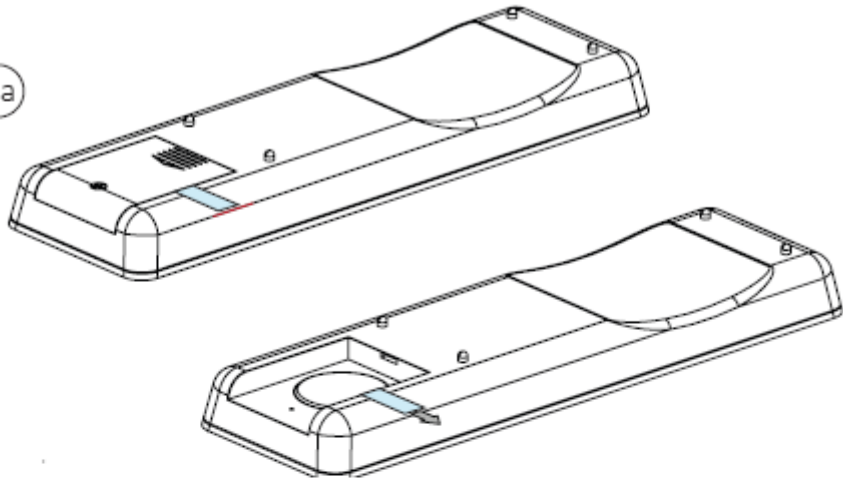


Explanatory Memorandum

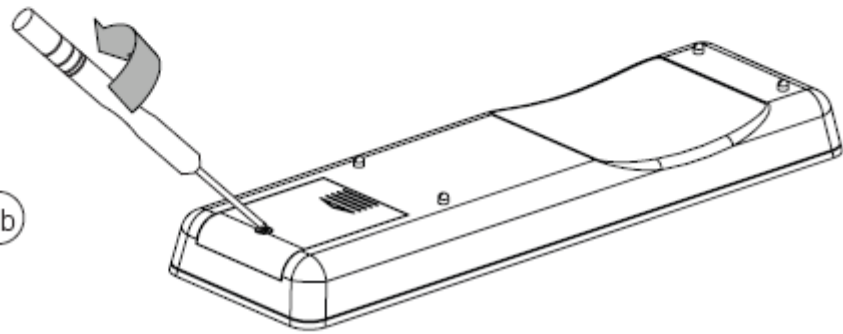
1. Schematic diagram of appearance and keys of remote control



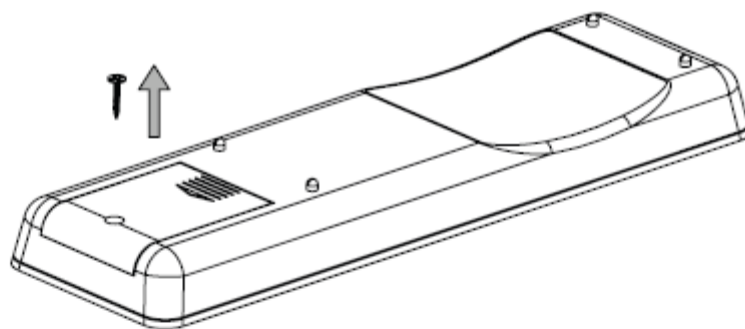
4a



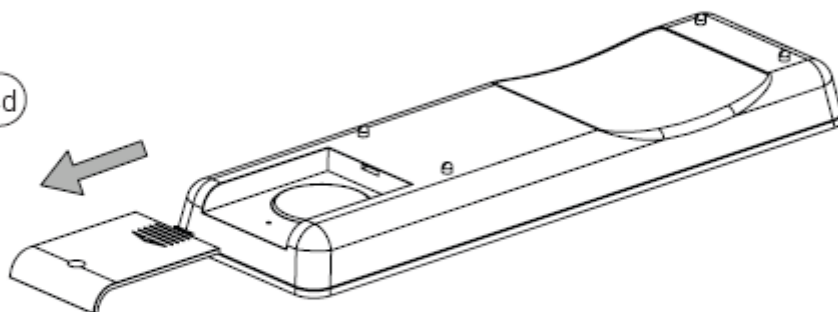
4b



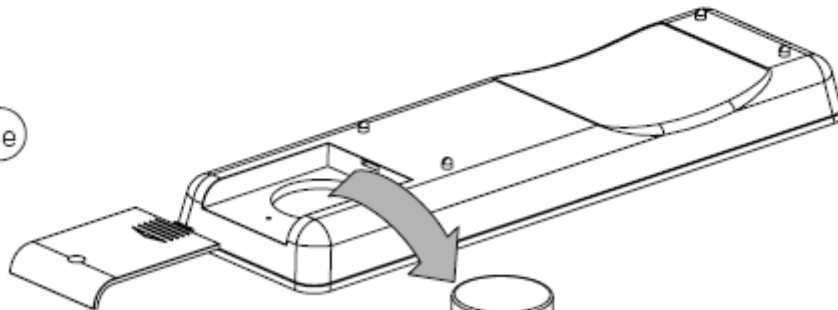
4c



4d



4e



1x Lithium Battery 3V - CR2032
1x Batterie Lithium 3V - CR2032
1x Bateria de Litio 3V - CR2032

2. Description of operation function:

- | | | |
|--|---|--|
| ① Turn on and off light | ① Allume et éteint la lumière | ① Enciende y apaga la luz |
| ② Increases light intensity | ② Augmente l'intensité lumineuse | ② Aumenta la intensidad luminosa |
| ③ Gradually reduces light temperature | ③ Réduit graduellement la température lumineuse | ③ Reduce gradualmente la temperatura de la luz |
| ④ Gradually increases the light temperature | ④ Augmente graduellement la température lumineuse | ④ Aumenta gradualmente la temperatura de la luz |
| ⑤ Minimizes light color temperature and intensity | ⑤ Réduit au minimum la température et intensité de la couleur de la lumière | ⑤ Minimiza la temperatura e intensidad del color de la luz |
| ⑥ Decreases light intensity | ⑥ Réduit l'intensité lumineuse | ⑥ Disminuye la intensidad luminosa |
| ⑦ Quick adjustment of the light intensity | ⑦ Ajustement rapide de l'intensité lumineuse | ⑦ Ajuste rápido de la intensidad luminosa |
| ⑧ Quick adjustment of the light colour temperature | ⑧ Ajustement rapide de la température de couleur de la lumière | ⑧ Ajuste rápido de la temperatura del color de la luz |

WARNING / ATTENTION / ADVERTENCIA



Chemical burn hazard. Keep batteries away from children.

Risque de brûlure chimique. Gardez les piles hors de portée des enfants.

Peligro de quemaduras químicas. Mantenga las baterías fuera del alcance de los niños.

3. FCC Statement

This equipment has been tested and found to comply with the limits for a Class B digital device, pursuant to part 15 of the FCC Rules. These limits are designed to provide reasonable protection against harmful interference in a residential installation. This equipment generates, uses and can radiate radio frequency energy and, if not installed and used in accordance with the instructions, may cause harmful interference to radio communications. However, there is no guarantee that interference will not occur in a particular installation. If this equipment does cause harmful interference to radio or television reception, which can be determined by turning the equipment off and on, the user is encouraged to try to correct the interference by one or more of the following measures:

- Reorient or relocate the receiving antenna.
- Increase the separation between the equipment and receiver.
- Connect the equipment into an outlet on a circuit different from that to which the receiver is connected.
- Consult the dealer or an experienced radio/TV technician for help.

Changes or modifications not expressly approved by the party responsible for compliance could void the user's authority to operate the equipment.

This device complies with part 15 of the FCC Rules. Operation is subject to the following two conditions:

(1) This device may not cause harmful interference, and (2) this device must accept any interference received, including interference that may cause undesired operation.