

### 3-4. Safety instructions for battery charger

- Please use the original battery charger provided with the product for charging.
- The battery charger is not suitable for children under 14 years old, people with mental disorders, those who are disabled, etc., unless they use this product under the supervision or guidance of their guardians.
- Check again whether the power plug and cable are damaged. If so, they must be replaced by the manufacturer, a designated service agent or a person with similar qualifications to avoid danger.
- Before cleaning, storage and transportation, disconnect the battery charger from the power source and allow it to cool down.
- Protect electrical components from moisture. When the battery charger is cleaned or used, do not immerse it in water or other liquids to avoid electric shock. Do not put the battery charger in water. When being charged, this product must be placed in a well-ventilated place. After the battery is fully charged, immediately disconnect the charger from the power source.
- Regularly check whether the battery charger is damaged. A damaged battery charger must be repaired before use. Do not use a battery charger that has been left exposed for a long time or damaged.
- Do not connect a damaged product to the battery charger. There is a risk of electric shock!
- Do not disassemble the battery charger. Repairs must be performed by reliable after-sales service personnel. Incorrect assembly may cause fire or electric shock.
- Do not use the charger near flammable and explosive items, otherwise there is a risk of fire and explosion.
- Please check the technical data before connecting the battery charger to the power source. Improper use may cause fire! The battery charger should be used indoors only.
- Do not misuse the battery charger. The battery charger is only suitable for this product. Use with other products may cause fire or electric shock.
- Make sure that the battery charger and the charging port are properly connected and not blocked by foreign objects.
- Keep the charging port clean, dry, and free from dust and humidity. Do not put any objects on the battery charger, and don't cover it. Otherwise, the battery may overheat.  
Do not place the battery charger near any heat sources.
- Be sure to place the power line in places where no one may trip, step on, or damage it, Otherwise there will be a risk of material damage and personal injury.
- Do not disconnect the battery charger from the power source by pulling the power line. Please manually remove the plug.
- Do not attempt to charge non-rechargeable batteries.

## 4.How to use

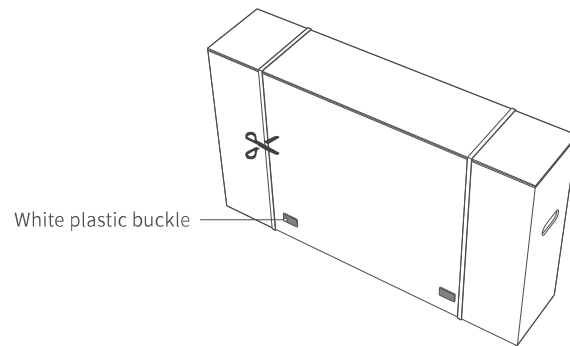
OKAI

### 4-1.Installation instructions

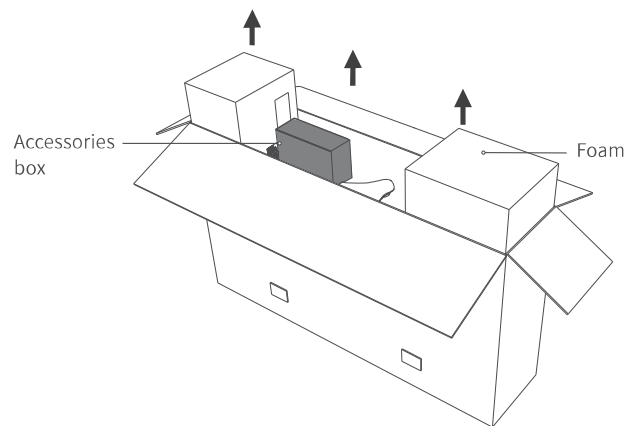
This section provides information on how to use the product correctly. To ensure user safety and service life, it is important to follow these instructions.



1. Cut the packing straps, remove the white plastic buckle under the package.

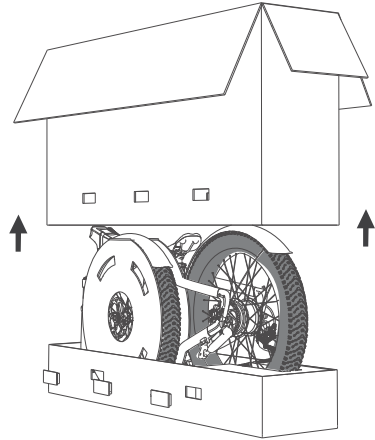


2. Open the box, remove the top two pieces of foam, take out the accessories box.

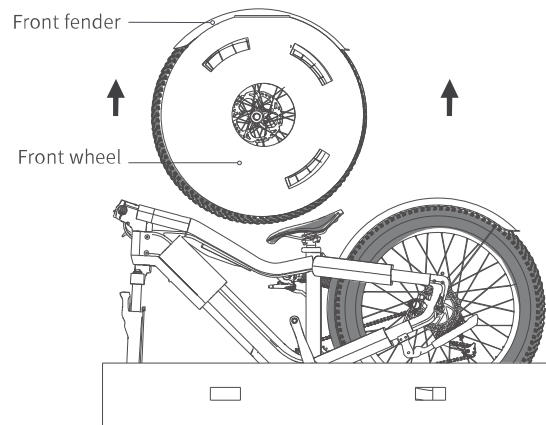


OKAI

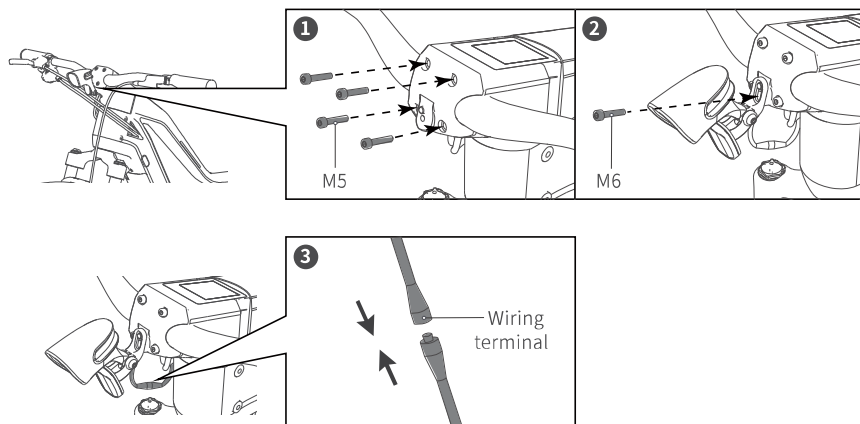
3. Lift the carton and take out the rear wheel fixed foam.



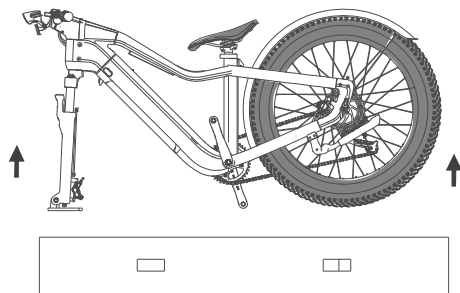
4. Take out the front wheel.



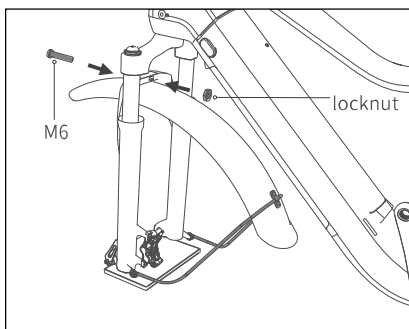
5. Install the handlebar.(Tighten M5 screws and M6 screws with a hex screwdriver,connect wiring terminal.)



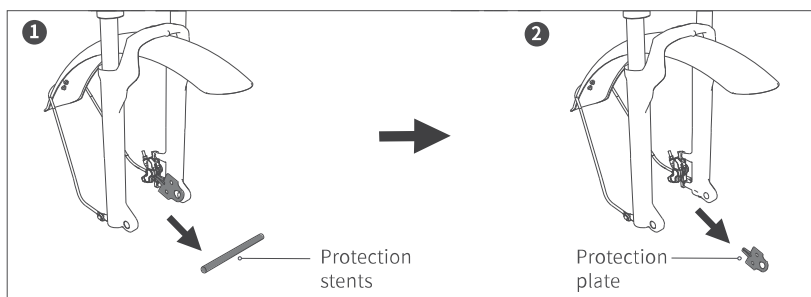
6. Get the vehicle out of package, remove the packaging, put down the kickstand.



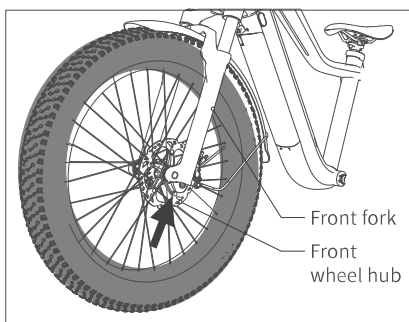
7. Install fenders.(Tighten M6 screws with a hex screwdriver)



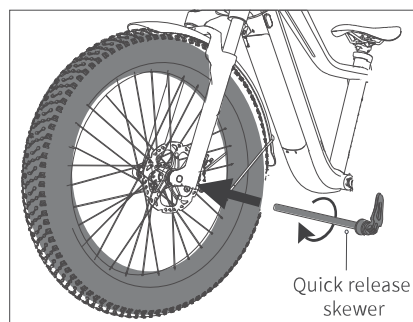
8.Remove the Protection stents and disc brake protection plate respectively.



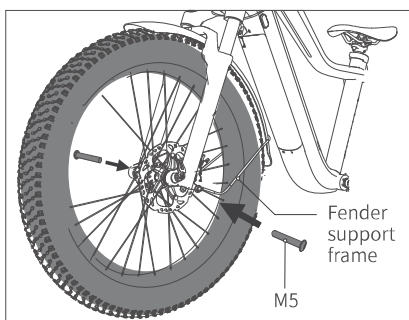
9. Front wheel installation procedures:  
a. Align the front wheel hub with the front fork .



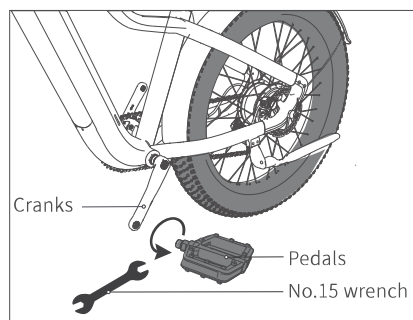
b. Insert the quick release skewer into the front wheel hub,Tighten the quick release skewer.



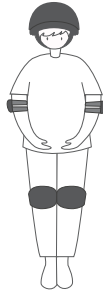
c.Fixed fender support frame  
(Tighten M5 screws with a hex screwdriver)



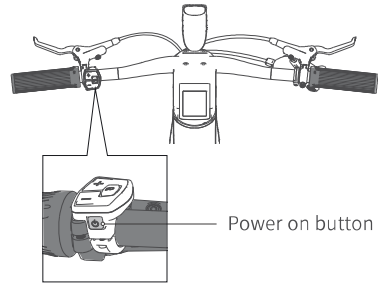
10. Install pedal (Tighten with a no.15 wrench).



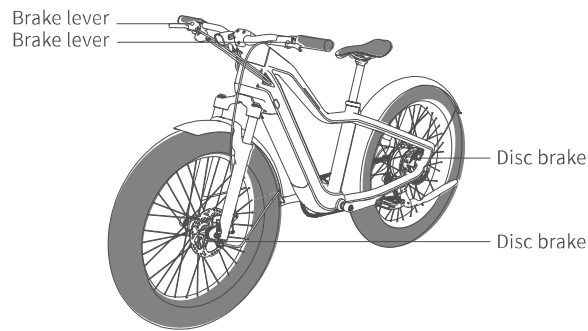
11. Wear a helmet and protective gear.



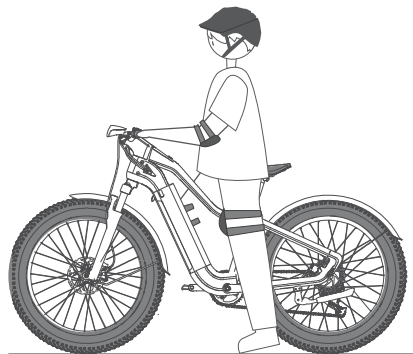
12. Long press the power button, the display screen is lit to indicate that the start up is successful.



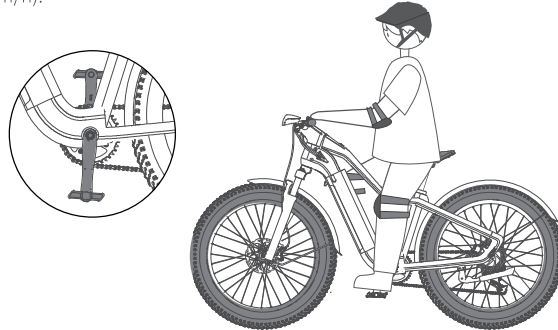
13. Check that the brake levers are working properly.



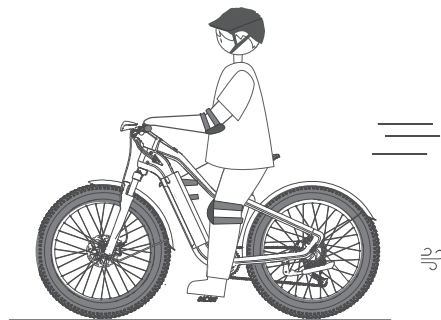
14. Stand with one foot on the pedal and leave with the other and start to slide.



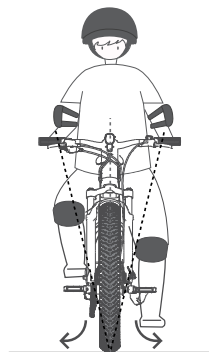
15. Place your other foot on the pedal to keep your feet steady. Focus and keep balance on yourself, step on the pedal for acceleration. For your safety, the motor won't start until the bike reaches 3.1 MPH (5 km/h).



16. Stop pedaling to reduce speed and squeeze brake lever to brake. (Left brake lever controls front wheel braking, right brake lever controls rear wheel braking).



17. To change the center of gravity while turning, turn the handlebar slightly.

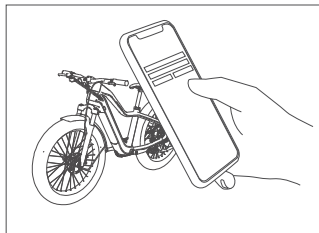


18. Activate the app

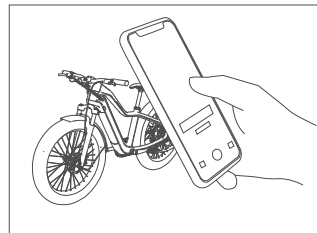
Please scan the QR code to download the app (the system version and Bluetooth version are subject to the actual requirements of the app). You can find the cruise control function in the app, and discover more ways to use the bike.



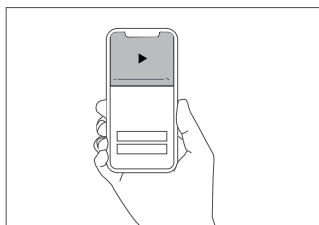
① Install APP, please register/login



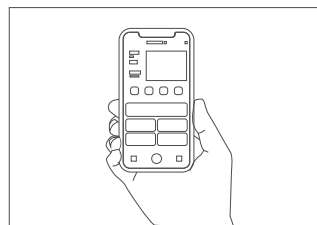
② Open the app, click "Search for Device". Follow the app prompt to pair with and connect to the bike.



③ Watch the driving guide



④ Start exploring a new riding experience

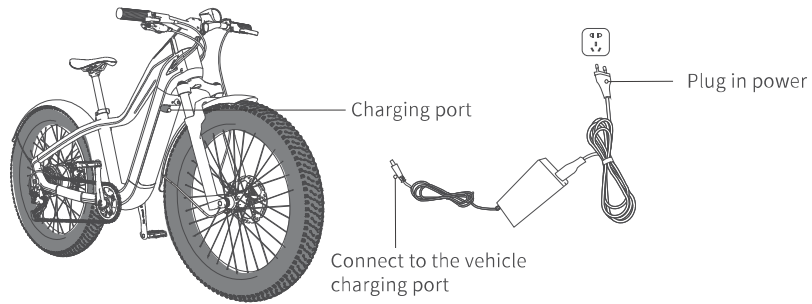


Now, you can use your bike, check the status and detect the ride through the app.



#### 4-2.Charging the battery

##### ·Charger connector



**⚠ Note:** For first use, please connect the charger to activate vehicle.

##### ·Function button

Power button: Long press the power button to power on/off.

Light button: Press the light button once to turn the headlights on/off while the bike is powered on;

Gear button: Press "+" "-" to adjust 0-3 and pedestrian gears;

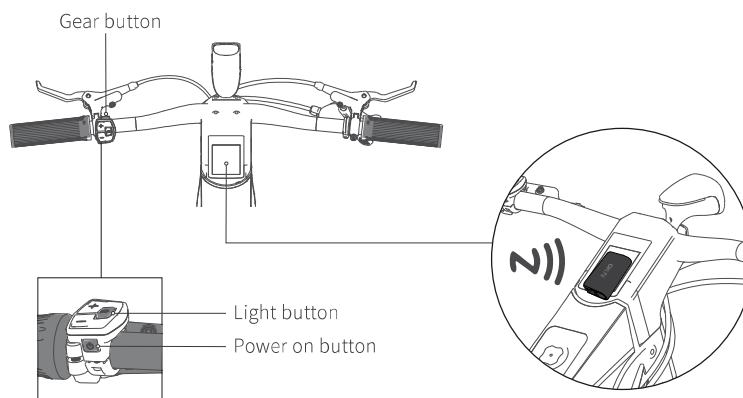
0 gear: motor will not output power;

1-3 gear: Motor power increases gradually;

Pedestrian gear: Press "-" in 0 gear to enter the pedestrian gear. Long press "-" to make motor output power ,which is suitable for use on pavement.

##### ·Folding key

Use the NFC icon side of the folding key to touch the display, or press the power button on the handle bar to power on.



### 4-3. Ride preparation

Checklist:

- Wheels - check that the wheels are not damaged or excessively worn.
- Loose parts - make sure that all parts, such as nuts, bolts and fasteners are safe. Parts should not make any abnormal sounds.
- Operating area - make sure that the operating area is open and flat without any obstacles.
- Laws and requirements - check and comply with any local laws or regulations. When using this product on public roads, comply with local laws and regulations.
- Safety equipment - always wear personal protective equipment (wrist, knee, head and elbow protection). In some areas, local laws or regulations may require helmets.

**⚠ WARNING** : Do not ride with the product using one hand. Don't try to perform any stunts or tricks while riding.

**⚠ WARNING** : Driving at a medium speed will increase mileage. When driving at high speed for a long time, frequently starting, stopping and idling, as well as frequent acceleration and deceleration will reduce mileage.

**⚠ WARNING** : Do not touch the brake parts with your hands after continuous braking.

## 5. Maintenance, Cleaning and Service

---

### 5-1. Maintain

Please follow the maintenance SOP provided by our company for the maintenance of this product and its accessories. If you have any questions or problems, please contact our company.

### 5-2. Clean


- Please turn off this product before cleaning.
- Unplug the battery charger from the product before cleaning each time.
- Never use solvents or abrasive cleaners. Never use stiff brushes, metal or sharp objects when cleaning. Otherwise the product's appearance and internal structure will be seriously damaged.
- Clean the battery charger and product with a slightly damp cloth. Afterwards, wipe all parts with a dry cloth.


**⚠ WARNING** : Do not immerse the product or battery charger in water or other liquids. Do not place the product or battery charger under running water. Doing so creates a risk of electric shock!

**⚠ WARNING** : This product cannot be cleaned using a power washer.

### 5-3.Storage and transportation

- Store the product in a dry, clean place, out of the reach of children, preferably in the original packaging.
- During transportation, turn off the product.
- The product can only be shipped in its original packaging. Don't throw away the packaging because shipping the product may be required in the future. Protect the product during transport (for example, using bungee straps) to prevent it from falling or tipping over to protect the product from impact and vibration.

 **WARNING** :This product contains a built-in lithium battery. Lithium-ion batteries are considered dangerous goods to be transported, and may only be transported when permitted by local laws and regulations.

 :If you plan to travel by plane or other means of transportation with your product, please check with your transportation company whether product transportation is feasible.

## 6.Handling

---



This mark indicates that this product should not be disposed of with other household waste. In order to prevent possible harm to the environment or human health caused by uncontrolled waste disposal, it is our responsibility to recycle this product to promote the sustainable reuse of material resources. To dispose of the used product, please contact the recycling system or contact the retailer of the product. They can recycle this product environmentally and safely.



Dispose of batteries in accordance with environmental protection requirements. Do not throw away the battery with daily garbage. Contact the recycling system in your community, or contact the retailer where you purchased the product.



Packaging materials can be transported back to the raw material circulation. Dispose of packaging materials in accordance with legal regulations. Relevant information can be obtained from the recycling system in your community.

## 7.Explanation Of Error Codes

OKAI

Error number	Error name	The reason	Troubleshooting method
1	Overcurrent Protection	The instantaneous output current of the controller exceeds the current limit range	Recovered When the output current of the controller is less than MAX current.
2	Low-voltage protection	Battery voltage lower than $30 \pm 1$ V	1:The fault will be relieved after charging. 2:Change the battery.
3	Motor phase wire failure	Motor phase line short circuit when unlocking	1:Please check the cable connector, make sure that they connect properly 2:Change the motor extension cable to check If the cable is available 3:Change the display to check the display is available 4:Change the motor to check the motor is available 5:Change the controller to check the motor is available
7	Motor hall signal abnormality	Hall line sequence is wrong or poorly connected	1:Please check the cable connector, make sure that they connect properly 2:Change the motor extension cable to check If the cable is available 3:Change the display to check the display is available 4:Change the motor to check the motor is available 5:Change the controller to check the motor is available
8	Motor Over temperature protection	Motor temperature higher than normal working temperature	1.Stop riding and cool down, wait for the error to be removed by itself 2.Change the motor
11	Communication failure between instrument and electronic controller	Instrument problem or poorly connector for the communication signal wire	1:Check the controller connection, make sure that they connect properly 2:Check the display connection, make sure that they connect properly 3:Change the display 4:Change the controller
16	BMS firmware missing	Battery program upgrade failed	1: Re-upgrade battery program 2: Change the battery
21	BMS hardware fault information alarm	BMS damaged	Change the battery
22	BMS level 1 fault information alarm	It appears when the battery discharge exceeds 9s~11s with 22A~ 28A current.	Back to normal after staying still for 55s~65s
23	BMS lever 2 fault information alarm	It appears when the battery discharge exceeds 1000ms~4000ms with 35A~ 45A current.	Back to normal after staying still for 55s~65s
24	BMS lever 3 fault information alarm	Appears when the battery discharge exceeds 250ms~350ms with 55A~ 65A current	1:Recovery after charging 2:Recovery after power cut off
27	Battery heartbeat error	The battery heartbeat packet cannot receive data, or the battery user code does not match the central control user code	Change the battery
29	Overvoltage	The battery voltage exceeds 60V	1:Change a new battery to check if the battery is available. 2:Change a new controller to check if the controller is available
30	Torque sensor failure	Loss of torque sensor signal	1:Change the torque sensor 2:Change the controller
31	Controller overheating	Controller temperature reaches the protection value	1.If the Error shows when you are riding, the system needs to cool down. Don't worry. 2.If the Error shows when the bike doesn't work too much, update the software of the controller to check the latest software. 3:Change the controller to check the controller is available.