

No.	Part Name	No.	Part Name
1	Volume/Channel Knob (Double click to switch the functions)	3	LCD Display
2	Power On/Off	5	SOS Key
4	LED Indicators	7	Microphone Jack
6	Speaker	9	Programmable Keys
8	Microphone		

Notice: Channel Knob functions must be adjusted by PTT applications.

Main Mic & Noise Reduction

There are two mics of M6, one is under power button, which is the main mic; the other one is on the top of M6, which is between the label and SIM Card/Type-C interface, which is the sub-mic, also it is a noise reduction mic.

Main Mic: Without external RM connected, user can use P1 for PTT button and make Push-to-Talk through the main mic.

Noise Reduction Mic: Through chip to reduce the environmental noise during VoIP calling, bring a clearer calling experience to customers.

LED Lights

There are five LED lights on M6, Power status light, light bar of Internet & PTT, Wi-Fi, BT and GPS.

Power status light: there are two types status of Power status light

- The light will be off if the device is power off;
- There will be steady green light of the power button if the device is power on.

Internet & PTT light: there are four types status of Internet & PTT light

- The light will be flashing green light if the device is connected with internet during standby mode
- The light will be flashing red light if the network is abnormal;
- The light will be steady red light if there is PTT out;
- The light will be yellow and green light if there is PTT in.

Notice: c & d will need APK to call indicator broadcast to realize the function.

Wi-Fi hotspot light: there are three types status of Wi-Fi light.

- The light will be off if the Wi-Fi sharing is off;
- The light will be flashing orange light around 3 seconds when switch it on;
- The light will be flashing green light around 3 seconds when there is a device connected it successfully, and if there are more than one device connected with it, each time when the device connected, there will be 3 seconds flashing green light.

BT light: there are three types status of BT light.

- The light will be off if the BT is off;
- The light will be flashing orange light if the BT is on, but there is no other device connected;
- The light will be steady yellow-green light if the BT is on and there is device connected.

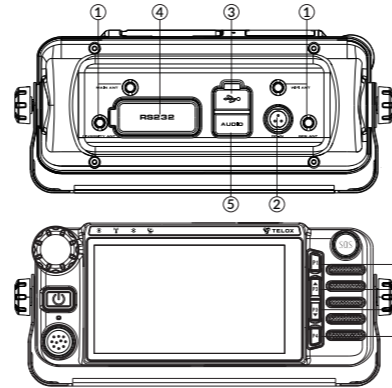
GPS light: there are three types status of GPS light.

- The light will be off if the GPS is off;
- The light will be flashing orange light if the GPS is on, but it is still searching the satellites;

c. The light will be steady yellow-green light if the GPS is on and the device is connected with satellites. The light will be steady yellow-green light means the location of the device has been successfully locked, and the high-precision positioning function can be used.

Programmable Keys

For better using experience, you can install different PTT application and set P1, P2, P3, P4 as different functions with the help from PTT application provider according to your requirement.



No.	Nome	Program-able key	Part Name
1	Antenna Port	P1	PTT
2	Power Port	P2	Channel up
3	USB Port	P3	Channel down
4	RS232 Port	P4	Map
5	3.5mm Audio Port		

CE Warning

- The operating temperature of the device can't exceed 60 C and shouldn't be lower than -20 C .
 - The device complies with RF specifications when the device used at 20cm from your body
- Hereby, Telo Communication (Shenzhen) Co., Ltd declares that this product is in compliance with essential requirements and other relevant provisions of Directive 2014/53/EU. This product is allowed to be used in all EU member states.

FCC Warning

15.19 Labeling requirements.

This device complies with part 15 of the FCC Rules. Operation is subject to the following two conditions: (1) This device may not cause harmful interference, and (2) this device must accept any interference received, including interference that may cause undesired operation.

15.21 Information to user.

Any Changes or modifications not expressly approved by the party responsible for compliance could void the user's authority to operate the equipment.

15.105 Information to the user.

Note: This equipment has been tested and found to comply with the limits for a Class B digital device, pursuant to part 15 of the FCC Rules. These limits are designed to provide reasonable protection against harmful interference in a residential installation. This equipment generates uses and can radiate radio frequency energy and, if not installed and used in accordance with the instructions, may cause harmful interference to radio communications. However, there is no guarantee that interference will not occur in a particular installation. If this equipment does cause harmful interference to radio or television reception, which can be determined by turning the equipment off and on, the user is encouraged to try to correct the interference by one or more of the following measures:

- Reorient or relocate the receiving antenna.
 - Increase the separation between the equipment and receiver.
 - Connect the equipment into an outlet on a circuit different from that to which the receiver is connected.
 - Consult the dealer or an experienced radio/TV technician for help.
- The device complies with RF specifications when the device used at 20cm from your body.



Telo Communication (Shenzhen) Co.,Ltd

Tel:+86-755-86950766

E-mail:sales@telox.com

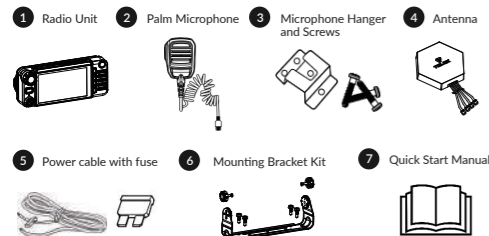
Add:6/F, No.42 Liuxian 1st Road, Bao'an District, Shenzhen, China

www.telox.com

Note

- Warranty period is 1 year from date of purchase.
- This product involves constant upgrading and/or improvement, our company reserves the right to change the specifications of software and/or hardware mentioned in this operating guide without any prior notice. The product specifications and information mentioned in the operating guide are for reference only.

Check List



Notice:

Please check the above accessories before you discard the packing material. Please contact your local dealer immediately if there is any missing or damage parts.

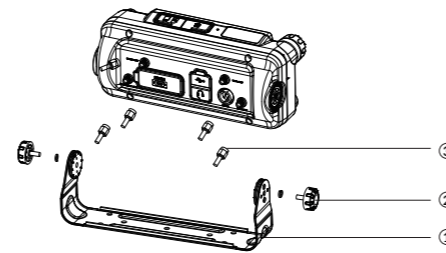
The antenna is recommended to be fixed on the plane in the upper right/left corner of the center console with the Logo facing upwards.

Warning: The Antenna must not be placed in the area affected by SRS airbag.

Installation Steps

- Before you install the radio in a vehicle, be sure to read the following instructions carefully.
- The radio operates with cathode-grounded power supply of 12 to 24V DC only.
- Please check polarity and voltage of the power supply on the vehicle before you install the radio.
- Please check how long the screws will extend from the bottom surface of the radio, before you install the radio. Drill the mounting hole cautiously to avoid damage to the vehicle wiring and other parts.
- Please connect Telo supplied antenna and power cord to the radio, before you install it in the bracket. And make sure the antenna and power cord is dedicated for Telo Systems digital radios.
- Install the radio with Telo supplied mounting bracket, to avoid radio looseness in case of accidents. The loose radio may cause body injury.
- Install the radio in a location where it's easy to reach the front panel controls.
- Please make sure there's sufficient space at back of the radio for wiring.
- When the fuse for DC power cord needs replacement, it must be replaced by a fuse with the same specification.

Installation Steps



- Install the bracket in a location where it's easy to operate the device.
- Connect accessories such as antenna and power cable to the device.
- Slide the device into the mounting bracket and secure it using the locking knobs.
- Install the microphone hanger in a location where it can be reached easily.
- Plug the palm microphone into the microphone jack on the front panel and place it on the hanger when you do not use it.

No.	Part Name
1	Mounting Bracket
2	Locking Knobs
3	Antenna Cap

Care and Cleaning

- To guarantee optimal performance as well as a long service life of the product, please follow the tips below.

Before Use

- Turn on the switch connects communicator and with car battery/circuit.
- Insert SIM into M6 vehicular communicator and enable SIM data, or connect to a certain Wi-Fi/hotspot.

Product Care

- Keep the product at a place with good ventilation and heat dissipation to facilitate normal work.
- Do not place irrelevant articles on top of the product to ensure optimal heat dissipation.
- Do not place the product in corrosive agents, solutions or water.

Product Cleaning

- Clean up the dust and fine particles on the product parts with a clean and dry lint-free cloth or a brush regularly.
- Use a non-woven fabric with neutral cleanser to clean the keys, control knobs, LCD and jacks after long-time use.
- Don't use chemical preparations such as stain removers, alcohol, sprays or oil preparations.
- Make sure the product is completely dry before use.

Caution: Power off the product before cleaning.



M6 Quick Start Guide



Thanks for choosing our product!
This Quick Start Guide only applicable to M6 & Telo & TELOX series.
Before using the product, please read the Quick Start Guide to fully benefit from it.