


FCC REPORT

Report Reference No..... : **CHEW21010057** Report Verification: 

Project No..... : **SHT2012124103EW**

FCC ID..... : **2AYEZ-M6**

Applicant's name..... : **Telo Communication (Shenzhen) Co., Ltd**

Address..... : **6/F, No.42 Liuxian 1st Road, Bao'an District, Shenzhen, China**

Test item description : **Smart Communicator**

Trade Mark : **Telo Systems, TELOX**

Model/Type reference..... : **M6**

Listed Model(s) : **TELOX-M6, Telo-M6, M6C, M6D, M6E, M6F, M6G, M6H, M6J, M6K, M6L, M6N, M6P, M6Q, M6R, M6S, M6T, M6U, M6V, M6X, M6Y**

Standard : **FCC CFR Title 47 Part 2
 FCC CFR Title 47 Part 22
 FCC CFR Title 47 Part 24
 FCC CFR Title 47 Part 27**

Date of receipt of test sample..... : **Dec. 30, 2020**

Date of testing..... : **Dec. 31, 2020- Jan. 13, 2021**

Date of issue..... : **Jan. 14, 2021**

Result..... : **Pass**

Compiled by (position+printedname+signature)....:	File administrators Silvia Li	
Supervised by (position+printedname+signature).....:	Project Engineer Aaron Fang	
Approved by (position+printedname+signature).....:	Manager Hans Hu	

Testing Laboratory Name : **Shenzhen Huatongwei International Inspection Co., Ltd.**

Address..... : **1/F, Bldg 3, Hongfa Hi-tech Industrial Park, Genyu Road, Tianliao, Gongming, Shenzhen, China**

Shenzhen Huatongwei International Inspection Co., Ltd. All rights reserved.

This publication may be reproduced in whole or in part for non-commercial purposes as long as the Shenzhen Huatongwei International Inspection Co., Ltd. is acknowledged as copyright owner and source of the material. Shenzhen Huatongwei International Inspection Co., Ltd. takes no responsibility for and will not assume liability for damages resulting from the reader's interpretation of the reproduced material due to its placement and context.

The test report merely correspond to the test sample.

Contents

1.	TEST STANDARDS AND REPORT VERSION	3
1.1.	Applicable Standards	3
1.2.	Report version information	3
2.	TEST DESCRIPTION	4
3.	SUMMARY	5
3.1.	Client Information	5
3.2.	Product Description	5
3.3.	Operation state	7
3.4.	EUT operation mode	9
3.5.	EUT configuration	10
3.6.	Modifications	10
4.	TEST ENVIRONMENT	11
4.1.	Testing Laboratory Information	11
4.2.	Equipments Used during the Test	11
4.3.	Environmental conditions	12
4.4.	Statement of the measurement uncertainty	12
5.	TEST CONDITIONS AND RESULTS	13
5.1.	Conducted Output Power	13
5.2.	Peak-to-Average Ratio	14
5.3.	99% Occupied Bandwidth & 26 dB Bandwidth	15
5.4.	Band Edge	16
5.5.	Conducted Spurious Emissions	17
5.6.	Frequency stability VS Temperature measurement	18
5.7.	Frequency stability VS Voltage measurement	19
5.8.	ERP and EIRP	20
5.9.	Radiated Spurious Emission	34
6.	TEST SETUP PHOTOS OF THE EUT	58
7.	EXTERNAL AND INTERNAL PHOTOS OF THE EUT	58
8.	APPENDIX REPORT	58

1. TEST STANDARDS AND REPORT VERSION

1.1. Applicable Standards

The tests were performed according to following standards:

[FCC Rules Part 2](#): FREQUENCY ALLOCATIONS AND RADIO TREATY MATTERS; GENERAL RULES AND REGULATIONS

[FCC Rules Part 22](#): PUBLIC MOBILE SERVICES

[FCC Rules Part 24](#): PERSONAL COMMUNICATIONS SERVICES

[FCC Rules Part 27](#): MISCELLANEOUS WIRELESS COMMUNICATIONS SERVICES

[ANSI C63.26: 2015](#): American National Standard for Compliance Testing of Transmitters Used in Licensed Radio Services

[KDB 971168 D01 Power Meas License Digital Systems v03](#): MEASUREMENT GUIDANCE FOR CERTIFICATION OF LICENSED DIGITAL TRANSMITTERS

1.2. Report version information

Revision No.	Date of issue	Description
N/A	2021-01-14	Original

2. Test Description

Test Item	Section in CFR 47	Result	Test Engineer
Conducted Output Power	Part 2.1046 Part 22.913(a) Part 24.232(c) Part 27.50	Pass	Jiongsheng Feng
Peak-to-Average Ratio	Part 24.232 Part 27.50	Pass	Jiongsheng Feng
99% Occupied Bandwidth & 26 dB Bandwidth	Part 2.1049 Part 22.917(b) Part 24.238(b) Part 27.53	Pass	Jiongsheng Feng
Band Edge	Part 2.1051 Part 22.917 Part 24.238 Part 27.53	Pass	Jiongsheng Feng
Conducted Spurious Emissions	Part 2.1051 Part 22.917 Part 24.238 Part 27.53	Pass	Jiongsheng Feng
Frequency stability VS Temperature	Part 2.1055(a)(1)(b) Part 22.355 Part 24.235 Part 27.54	Pass	Jiongsheng Feng
Frequency stability VS Voltage	Part 2.1055(d)(1)(2) Part 22.355 Part 24.235 Part 27.54	Pass	Jiongsheng Feng
ERP and EIRP	Part 22.913(a) Part 24.232(b) Part 27.50	Pass	Pan Xie
Radiated Spurious Emissions	Part 2.1053 Part 22.917 Part 24.238 Part 27.53	Pass	Pan Xie

Note: The measurement uncertainty is not included in the test result.

3. SUMMARY

3.1. Client Information

Applicant:	Telo Communication (Shenzhen) Co., Ltd
Address:	6/F, No.42 Liuxian 1st Road, Bao'an District, Shenzhen, China
Manufacturer:	Telo Communication (Shenzhen) Co., Ltd
Address:	6/F, No.42 Liuxian 1st Road, Bao'an District, Shenzhen, China

3.2. Product Description

Name of EUT:	Smart Communicator		
Trade Mark:	Telo Systems, TELOX		
Model No.:	M6		
Listed Model(s):	TELOX-M6, Telo-M6, M6C, M6D, M6E, M6F, M6G, M6H, M6J, M6K, M6L, M6N, M6P, M6Q, M6R, M6S, M6T, M6U, M6V, M6X, M6Y		
SIM Information:	Support One SIM Card		
Power supply:	DC 12V		
Adapter information:	-		
Hardware version:	M6_V1.0		
Software version:	M6_INT_V4_20201224		
4G			
Operation Band:	<input checked="" type="checkbox"/> FDD Band 2	<input checked="" type="checkbox"/> FDD Band 4	<input checked="" type="checkbox"/> FDD Band 5
	<input checked="" type="checkbox"/> FDD Band 7	<input checked="" type="checkbox"/> FDD Band 12	<input checked="" type="checkbox"/> FDD Band 13
	<input checked="" type="checkbox"/> FDD Band 17	<input checked="" type="checkbox"/> FDD Band 25	<input checked="" type="checkbox"/> FDD Band 26
	<input checked="" type="checkbox"/> TDD Band 41		
Transmit frequency:	FDD Band 2:	1850.7 MHz – 1909.3 MHz	
	FDD Band 4:	1710.7 MHz – 1754.3 MHz	
	FDD Band 5:	824.7 MHz – 848.3 MHz	
	FDD Band 7:	2502.5 MHz – 2567.5 MHz	
	FDD Band 12:	699.7 MHz – 715.3 MHz	
	FDD Band 13:	779.5 MHz – 784.5 MHz	
	FDD Band 17:	706.5 MHz – 713.5 MHz	
	FDD Band 25:	1850.7 MHz- 1914.3 MHz	
	FDD Band 26:	824.7 MHz – 848.3 MHz	
	TDD Band 41:	2557.5 MHz – 2652.5 MHz	

Receive frequency:	FDD Band 2: 1930.7 MHz – 1989.3 MHz FDD Band 4: 2110.7 MHz – 2154.3 MHz FDD Band 5: 869.7 MHz – 893.3 MHz FDD Band 7: 2622.5 MHz – 2687.5 MHz FDD Band 12: 729.7 MHz – 745.3 MHz FDD Band 13: 748.5 MHz – 753.5 MHz FDD Band 17: 736.5 MHz – 743.5 MHz FDD Band 25: 1930.7 MHz- 1994.3 MHz FDD Band 26: 869.7 MHz – 893.3 MHz TDD Band 41: 2557.5 MHz – 2652.5 MHz
Channel bandwidth:	FDD Band 2: 1.4MHz, 3MHz, 5MHz, 10MHz, 15MHz, 20MHz FDD Band 4: 1.4MHz, 3MHz, 5MHz, 10MHz, 15MHz, 20MHz FDD Band 5: 1.4MHz, 3MHz, 5MHz, 10MHz FDD Band 7: 5MHz, 10MHz, 15MHz, 20MHz FDD Band 12: 1.4MHz, 3MHz, 5MHz, 10MHz FDD Band 13: 5MHz, 10MHz FDD Band 17: 5MHz, 10MHz FDD Band 25: 1.4MHz, 3MHz, 5MHz, 10MHz, 15MHz, 20MHz FDD Band 26: 1.4MHz, 3MHz, 5MHz, 10MHz, 15MHz TDD Band 41: 5MHz, 10MHz, 15MHz, 20MHz
Power Class:	Class 3
Modulation type:	QPSK, 16QAM
Antenna type	Loop Antenna
Antenna Gain	Band2:0.87dBi Band4: 0.87dBi Band5: 0.87dBi Band7: 0.87dBi Band12: 0.87dBi Band13: 0.87dBi Band17: 0.87dBi Band25: 0.87dBi Band26: 0.87dBi Band41: 0.87dBi

3.3. Operation state

➤ Test frequency list

FDD Band 2	Test Frequency ID	Bandwidth [MHz]	N _{UL}	Frequency of Uplink [MHz]	N _{DL}	Frequency of Downlink [MHz]	
	Low Range	1.4	18607	1850.7	607	1930.7	
		3	18615	1851.5	615	1931.5	
		5	18625	1852.5	625	1932.5	
		10	18650	1855	650	1935	
		15 ^[1]	18675	1857.5	675	1937.5	
	20 ^[1]	18700	1860	700	1940		
	Mid Range	1.4/3/5/10/15 ^[1] /20 ^[1]	18900	1880	900	1960	
	High Range	1.4	19193	1909.3	1193	1989.3	
		3	19185	1908.5	1185	1988.5	
		5	19175	1907.5	1175	1987.5	
		10	19150	1905	1150	1985	
		15 ^[1]	19125	1902.5	1125	1982.5	
	20 ^[1]	19100	1900	1100	1980		
	NOTE 1: Bandwidth for which a relaxation of the specified UE receiver sensitivity requirement (TS 36.101 [27] Clause 7.3) is allowed.						
FDD Band 4	Test Frequency ID	Bandwidth [MHz]	N _{UL}	Frequency of Uplink [MHz]	N _{DL}	Frequency of Downlink [MHz]	
	Low Range	1.4	19957	1710.7	1957	2110.7	
		3	19965	1711.5	1965	2111.5	
		5	19975	1712.5	1975	2112.5	
		10	20000	1715	2000	2115	
		15	20025	1717.5	2025	2117.5	
	20	20050	1720	2050	2120		
	Mid Range	1.4/3/5/10/15/20	20175	1732.5	2175	2132.5	
	High Range	1.4	20393	1754.3	2393	2154.3	
		3	20385	1753.5	2385	2153.5	
		5	20375	1752.5	2375	2152.5	
		10	20350	1750	2350	2150	
		15	20325	1747.5	2325	2147.5	
	20	20300	1745	2300	2145		
	FDD Band 5	Test Frequency ID	Bandwidth [MHz]	N _{UL}	Frequency of Uplink [MHz]	N _{DL}	Frequency of Downlink [MHz]
Low Range		1.4	20407	824.7	2407	869.7	
		3	20415	825.5	2415	870.5	
		5	20425	826.5	2425	871.5	
		10 ^[1]	20450	829	2450	874	
Mid Range		1.4/3/5/10 ^[1]	20525	836.5	2525	881.5	
High Range		1.4	20643	848.3	2643	893.3	
		3	20635	847.5	2635	892.5	
		5	20625	846.5	2625	891.5	
		10 ^[1]	20600	844	2600	889	
NOTE 1: Bandwidth for which a relaxation of the specified UE receiver sensitivity requirement (TS 36.101 [27] Clause 7.3) is allowed.							
FDD Band 7		Test Frequency ID	Bandwidth [MHz]	N _{UL}	Frequency of Uplink [MHz]	N _{DL}	Frequency of Downlink [MHz]
		Low Range	5	20775	2502.5	2775	2622.5
			10	20800	2505	2800	2625
			15	20825	2507.5	2825	2627.5
	20 ^[1]		20850	2510	2850	2630	
	Mid Range	5/10/15/20 ^[1]	21100	2535	3100	2655	
	High Range	5	21425	2567.5	3425	2687.5	
		10	21400	2565	3400	2685	
		15	21375	2562.5	3375	2682.5	
		20 ^[1]	21350	2560	3350	2680	
NOTE 1: Bandwidth for which a relaxation of the specified UE receiver sensitivity requirement (TS 36.101 [27] Clause 7.3) is allowed.							
FDD Band 12	Table 4.3.1.12-1: Test frequencies for E-UTRA channel bandwidth for operating band 12						
	Test Frequency ID	Bandwidth [MHz]	N _{UL}	Frequency of Uplink [MHz]	N _{DL}	Frequency of Downlink [MHz]	
	Low Range	1.4	23017	699.7	5017	729.7	
		3	23025	700.5	5025	730.5	
		5 ^[1]	23035	701.5	5035	731.5	
		10 ^[1]	23060	704	5060	734	
	Mid Range	1.4/3/5 ^[1] /10 ^[1]	23095	707.5	5095	737.5	
	High Range	1.4	23173	715.3	5173	745.3	
		3	23165	714.5	5165	744.5	
		5 ^[1]	23155	713.5	5155	743.5	
10 ^[1]		23130	711	5130	741		
NOTE 1: Bandwidth for which a relaxation of the specified UE receiver sensitivity requirement (TS 36.101 [27] Clause 7.3) is allowed.							
FDD Band 13	Test Frequency ID	Bandwidth [MHz]	N _{UL}	Frequency of Uplink [MHz]	N _{DL}	Frequency of Downlink [MHz]	
	Low Range	5 ^[1]	23205	779.5	5205	748.5	
		10 ^[1]	23230	782	5230	751	
	Mid Range	5 ^[1] /10 ^[1]	23230	782	5230	751	
	High Range	5 ^[1]	23255	784.5	5255	753.5	
10 ^[1]		23230	782	5230	751		
NOTE 1: Bandwidth for which a relaxation of the specified UE receiver sensitivity requirement (TS 36.101 [27] Clause 7.3) is allowed.							

FDD Band 17	Test Frequency ID	Bandwidth [MHz]	N_{UL}	Frequency of Uplink [MHz]	N_{DL}	Frequency of Downlink [MHz]	
	Low Range	5 ^[1]	23755	706.5	5755	736.5	
		10 ^[1]	23780	709	5780	739	
	Mid Range	5 ^[1] /10 ^[1]	23790	710	5790	740	
	High Range	5 ^[1]	23825	713.5	5825	743.5	
		10 ^[1]	23800	711	5800	741	
NOTE 1: Bandwidth for which a relaxation of the specified UE receiver sensitivity requirement (TS 36.101 [27] Clause 7.3) is allowed.							
FDD Band 25	Test Frequency ID	Bandwidth [MHz]	N_{UL}	Frequency of Uplink [MHz]	N_{DL}	Frequency of Downlink [MHz]	
	Low Range	1.4	26047	1850.7	8047	1930.7	
		3	26055	1851.5	8055	1931.5	
		5	26065	1852.5	8065	1932.5	
		10	26090	1855	8090	1935	
		15 ^[1]	26115	1857.5	8115	1937.5	
		20 ^[1]	26140	1860	8140	1940	
	Mid Range	1.4/3/5/10/15 ^[1] /20 ^[1]	26365	1882.5	8365	1962.5	
	High Range	1.4	26683	1914.3	8683	1994.3	
		3	26675	1913.5	8675	1993.5	
		5	26665	1912.5	8665	1992.5	
		10	26640	1910	8640	1990	
		15 ^[1]	26615	1907.5	8615	1987.5	
		20 ^[1]	26590	1905	8590	1985	
	NOTE 1: Bandwidth for which a relaxation of the specified UE receiver sensitivity requirement (TS 36.101 [27] Clause 7.3) is allowed.						
	FDD Band 26	Test Frequency ID	Bandwidth [MHz]	N_{UL}	Frequency of Uplink [MHz]	N_{DL}	Frequency of Downlink [MHz]
		Low Range	1.4	26797	824.7	8797	869.7
			3	26805	825.5	8805	870.5
5			26815	826.5	8815	871.5	
10			26840	829	8840	874	
15			26865	831.5	8865	876.5	
Mid Range		1.4/3/5/10/15	26915	836.5	8915	881.5	
High Range		1.4	27033	848.3	9033	893.3	
		3	27025	847.5	9025	892.5	
		5	27015	846.5	9015	891.5	
		10	26990	844	8990	889	
		15	26965	841.5	8965	886.5	
TDD Band 41		Test Frequency ID	Bandwidth [MHz]	EARFCN	Frequency (UL and DL) [MHz]		
	Low Range	5	40265	2557.5			
		10	40290	2560			
		15	40315	2562.5			
		20	40340	2565			
	Mid Range	5/10/15/20	40740	2605			
	High Range	5	41215	2652.5			
		10	41190	2650			
		15	41165	2647.5			
20		41140	2645				

3.4. EUT operation mode

For RF test items

The EUT has been tested under typical operating condition. Testing was performed by configuring EUT to maximum output power status.

Test Items	Band	Bandwidth (MHz)						Modulation		RB #		
		1.4	3	5	10	15	20	QPSK	16QAM	1	Half	Full
Conducted Output Power	2	o	o	o	o	o	o	o	o	o	o	o
	4	o	o	o	o	o	o	o	o	o	o	o
	5	o	o	o	o	-	-	o	o	o	o	o
	7	-	-	o	o	o	o	o	o	o	o	o
	12	o	o	o	o	-	-	o	o	o	o	o
	13	-	-	o	o	-	-	o	o	o	o	o
	17	-	-	o	o	-	-	o	o	o	o	o
	25	o	o	o	o	o	o	o	o	o	o	o
	26	o	o	o	o	o	-	o	o	o	o	o
41	-	-	o	o	o	o	o	o	o	o	o	
Peak-to-Average Ratio	2	o	o	o	o	o	o	o	o	o	-	o
	4	o	o	o	o	o	o	o	o	o	-	o
	5	o	o	o	o	-	-	o	o	o	-	o
	7	-	-	o	o	o	o	o	o	o	-	o
	12	o	o	o	o	-	-	o	o	o	-	o
	13	-	-	o	o	-	-	o	o	o	-	o
	17	-	-	o	o	-	-	o	o	o	-	o
	25	o	o	o	o	o	o	o	o	o	-	o
	26	o	o	o	o	o	-	o	o	o	-	o
41	-	-	o	o	o	o	o	o	o	-	o	
99% Occupied Bandwidth & 26 dB Bandwidth	2	o	o	o	o	o	o	o	o	-	-	o
	4	o	o	o	o	o	o	o	o	-	-	o
	5	o	o	o	o	-	-	o	o	-	-	o
	7	-	-	o	o	o	o	o	o	-	-	o
	12	o	o	o	o	-	-	o	o	-	-	o
	13	-	-	o	o	-	-	o	o	-	-	o
	17	-	-	o	o	-	-	o	o	-	-	o
	25	o	o	o	o	o	o	o	o	-	-	o
	26	o	o	o	o	o	-	o	o	-	-	o
41	-	-	o	o	o	o	o	o	-	-	o	
Band Edge	2	o	o	o	o	o	o	o	o	o	-	o
	4	o	o	o	o	o	o	o	o	o	-	o
	5	o	o	o	o	-	-	o	o	o	-	o
	7	-	-	o	o	o	o	o	o	o	-	o
	12	o	o	o	o	-	-	o	o	o	-	o
	13	-	-	o	o	-	-	o	o	o	-	o
	17	-	-	o	o	-	-	o	o	o	-	o
	25	o	o	o	o	o	o	o	o	o	-	o
	26	o	o	o	o	o	-	o	o	o	-	o
41	-	-	o	o	o	o	o	o	o	-	o	

Conducted Spurious Emission	2	o	o	o	o	o	o	o	o	o	-	-
	4	o	o	o	o	o	o	o	o	o	-	-
	5	o	o	o	o	-	-	o	o	o	-	-
	7	-	-	o	o	o	o	o	o	o	-	-
	12	o	o	o	o	-	-	o	o	o	-	-
	13	-	-	o	o	-	-	o	o	o	-	-
	17	-	-	o	o	-	-	o	o	o	-	-
	25	o	o	o	o	o	o	o	o	o	-	-
	26	o	o	o	o	o	-	o	o	o	-	-
41	-	-	o	o	o	o	o	o	o	-	-	
Frequency Stability	2	o	o	o	o	o	o	o	o	o	-	-
	4	o	o	o	o	o	o	o	o	o	-	-
	5	o	o	o	o	-	-	o	o	o	-	-
	7	-	-	o	o	o	o	o	o	o	-	-
	12	o	o	o	o	-	-	o	o	o	-	-
	13	-	-	o	o	-	-	o	o	o	-	-
	17	-	-	o	o	-	-	o	o	o	-	-
	25	o	o	o	o	o	o	o	o	o	-	-
	26	o	o	o	o	o	-	o	o	o	-	-
41	-	-	o	o	o	o	o	o	o	-	-	
ERP and EIRP	2	o	o	o	o	o	o	o	o	o	-	-
	4	o	o	o	o	o	o	o	o	o	-	-
	5	o	o	o	o	-	-	o	o	o	-	-
	7	-	-	o	o	o	o	o	o	o	-	-
	12	o	o	o	o	-	-	o	o	o	-	-
	13	-	-	o	o	-	-	o	o	o	-	-
	17	-	-	o	o	-	-	o	o	o	-	-
	25	o	o	o	o	o	o	o	o	o	-	-
	26	o	o	o	o	o	-	o	o	o	-	-
41	-	-	o	o	o	o	o	o	o	-	-	
Radiated Spurious Emission	2	o	o	o	o	o	o	o	o	o	-	-
	4	o	o	o	o	o	o	o	o	o	-	-
	5	o	o	o	o	-	-	o	o	o	-	-
	7	-	-	o	o	o	o	o	o	o	-	-
	12	o	o	o	o	-	-	o	o	o	-	-
	13	-	-	o	o	-	-	o	o	o	-	-
	17	--	-	o	o	-	-	o	o	o	-	-
	25	o	o	o	o	o	o	o	o	o	-	-
	26	o	o	o	o	o	-	o	o	o	-	-
41	--	-	o	o	o	o	o	o	o	-	-	
Remark	1. The mark "o" means that this configuration is chosen for testing 2. The mark "-" means that this bandwidth is not test. 3. The device is investigated from 30MHz to 10 times of fundamental signal for radiated spurious emission test under different RB size/offset and modulations in exploratory test. Subsequently, only the worst case emissions are reported.											

3.5. EUT configuration

The following peripheral devices and interface cables were connected during the measurement:

- - supplied by the manufacturer
- - supplied by the lab

○ /	Manufacturer:	/
	Model No.:	/
○ /	Manufacturer:	/
	Model No.:	/

3.6. Modifications

No modifications were implemented to meet testing criteria.

4. TEST ENVIRONMENT

4.1. Testing Laboratory Information

Laboratory Name	Shenzhen Huatongwei International Inspection Co., Ltd.	
Laboratory Location	1/F, Bldg 3, Hongfa Hi-tech Industrial Park, Genyu Road, Tianliao, Gongming, Shenzhen, China	
Connect information:	Tel: 86-755-26715499 E-mail: cs@szhtw.com.cn http://www.szhtw.com.cn	
Qualifications	Type	Accreditation Number
	FCC	762235

4.2. Equipments Used during the Test

Used	Test Equipment	Manufacturer	Equipment No.	Model No.	Serial No.	Last Cal. Date (YY-MM-DD)	Next Cal. Date (YY-MM-DD)
●	Signal and spectrum Analyzer	R&S	HTWE0242	FSV40	100048	2020/10/19	2021/10/18
●	Signal & Spectrum Analyzer	R&S	HTWE0262	FSW26	103440	2020/10/19	2021/10/18
●	Spectrum Analyzer	Agilent	HTWE0286	N9020A	MY50510187	2020/10/19	2021/10/18
●	Radio communication tester	R&S	HTWE0287	CMW500	137688-Lv	2020/10/19	2021/10/18
●	Test software	Tonscend	N/A	JS1120	N/A	N/A	N/A

● Radiated Spurious Emission

Used	Test Equipment	Manufacturer	Equipment No.	Model No.	Serial No.	Last Cal. Date (YY-MM-DD)	Next Cal. Date (YY-MM-DD)
●	Semi-Anechoic Chamber	Albatross projects	HTWE0122	SAC-3m-01	N/A	2018/09/27	2021/09/26
●	Spectrum Analyzer	R&S	HTWE0098	FSP40	100597	2020/10/20	2021/10/19
●	Loop Antenna	R&S	HTWE0170	HFH2-Z2	100020	2018/04/02	2021/04/01
●	Broadband Horn Antenna	SCHWARZBECK	HTWE0103	BBHA9170	BBHA9170472	2018/10/12	2021/10/11
●	Ultra-Broadband Antenna	SCHWARZBECK	HTWE0123	VULB9163	538	2018/04/04	2021/04/03
●	Horn Antenna	SCHWARZBECK	HTWE0126	9120D	1011	2020/04/01	2023/03/31
●	Pre-amplifier	CD	HTWE0071	PAP-0102	12004	2020/11/12	2021/11/11
●	Broadband Preamplifier	SCHWARZBECK	HTWE0201	BBV 9718	9718-248	2020/05/10	2021/05/09
●	RF Connection Cable	HUBER+SUHNER	HTWE0120-01	6m 18GHz S Serisa	N/A	2020/05/10	2021/05/09
●	RF Connection Cable	HUBER+SUHNER	HTWE0120-02	6m 3GHz RG Serisa	N/A	2020/05/10	2021/05/09
●	RF Connection Cable	HUBER+SUHNER	HTWE0120-03	6m 3GHz RG Serisa	N/A	2020/05/10	2021/05/09
●	RF Connection Cable	HUBER+SUHNER	HTWE0120-04	6m 3GHz RG Serisa	N/A	2020/05/10	2021/05/09
●	RF Connection Cable	HUBER+SUHNER	HTWE0121-01	6m 18GHz S Serisa	N/A	2020/05/10	2021/05/09
●	EMI Test Software	Audix	N/A	E3	N/A	N/A	N/A

● Auxiliary Equipment

Used	Test Equipment	Manufacturer	Equipment No.	Model No.	Serial No.	Last Cal. Date (YY-MM-DD)	Next Cal. Date (YY-MM-DD)
------	----------------	--------------	---------------	-----------	------------	---------------------------	---------------------------

●	Climate chamber	ESPEC	HTWE0254	GPL-2	N/A	2020/10/21	2021/10/20
●	DC Power Supply	Gwinstek	HTWE0274	SPS-2415	GER835793	N/A	N/A

4.3. Environmental conditions

During the measurement the environmental conditions were within the listed ranges:

Voltage	VN=Nominal Voltage	DC 12.0V
	VL=Lower Voltage	DC 10.8V
	VH=Higher Voltage	DC 13.2V
Temperature	TN=Normal Temperature	25 °C
	Extreme Temperature	From -30° to + 50° centigrade
Humidity	30~60 %	
Air Pressure	950-1050 hPa	

4.4. Statement of the measurement uncertainty

The data and results referenced in this document are true and accurate. The reader is cautioned that there may be errors within the calibration limits of the equipment and facilities. The measurement uncertainty was calculated for all measurements listed in this test report acc. to TR-100028-01 "Electromagnetic compatibility and Radio spectrum Matters (ERM); Uncertainties in the measurement of mobile radio equipment characteristics; Part 1" and TR-100028-02 "Electromagnetic compatibility and Radio spectrum Matters (ERM); Uncertainties in the measurement of mobile radio equipment characteristics; Part 2" and is documented in the Shenzhen Huatongwei International Inspection Co., Ltd quality system acc. to DIN EN ISO/IEC 17025. Furthermore, component and process variability of devices similar to that tested may result in additional deviation. The manufacturer has the sole responsibility of continued compliance of the device.

Hereafter the best measurement capability for Shenzhen Huatongwei laboratory is reported:

Test Items	Measurement Uncertainty	Notes
Transmitter power conducted	0.51 dB	(1)
Transmitter power Radiated	2.66dB for <1GHz 3.44dB for >1GHz	(1)
Conducted spurious emissions 9kHz~40GHz	0.51 dB	(1)
Radiated spurious emissions	2.66dB for <1GHz 3.44dB for >1GHz	(1)
Occupied Bandwidth	15Hz for <1GHz 70Hz for >1GHz	(1)
Frequency error	15Hz for <1GHz 70Hz for >1GHz	(1)

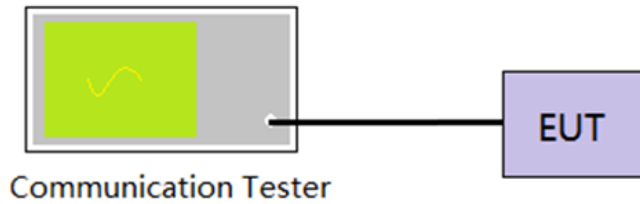
(1) This uncertainty represents an expanded uncertainty expressed at approximately the 95% confidence level using a coverage factor of $k=1.96$.

5. TEST CONDITIONS AND RESULTS

5.1. Conducted Output Power

LIMIT

N/A

TEST CONFIGURATION**TEST PROCEDURE**

1. The EUT output port was connected to communication tester.
2. Set EUT at maximum power through communication tester.
3. Select lowest, middle, and highest channels for each band and different modulation.
4. Measure the maximum burst average power.

TEST MODE:

Please refer to the clause 3.3

TEST RESULTS **Passed** **Not Applicable**

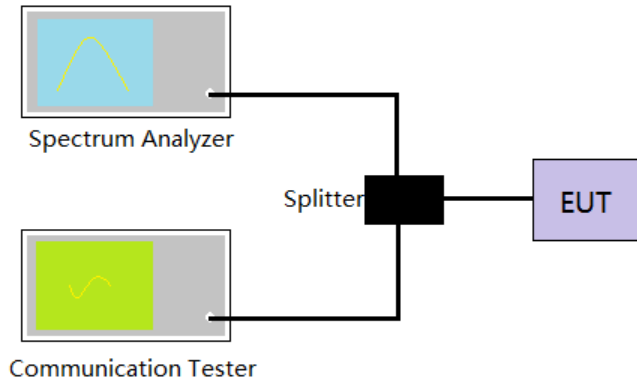
Refer to appendix A on the section 8 appendix report

5.2. Peak-to-Average Ratio

LIMIT

13dB

TEST CONFIGURATION



TEST PROCEDURE

1. The EUT was connected to the spectrum analyzer and communication tester via a power splitter
2. Set EUT in maximum power output.
3. Center Frequency = Carrier frequency, RBW > Emission bandwidth of signal
4. The signal analyzer was set to collect one million samples to generate the CCDF curve
5. The measurement interval was set depending on the type of signal analyzed.
 - i. For continuous signals (>98% duty cycle), the measurement interval was set to 1ms.
 - ii. For burst transmissions, the spectrum analyzer is set to use an internal " RF Burst" trigger that issynced with an incoming pulse and the measurement interval is set to less than the durationof the " on time" of one burst to ensure that energy is only captured during a time in whichthetransmitter is operating at maximum power
6. Record the maximum PAPR level associated with a probability of 0.1%.

TEST MODE:

Please refer to the clause 3.3

TEST RESULTS

Passed Not Applicable

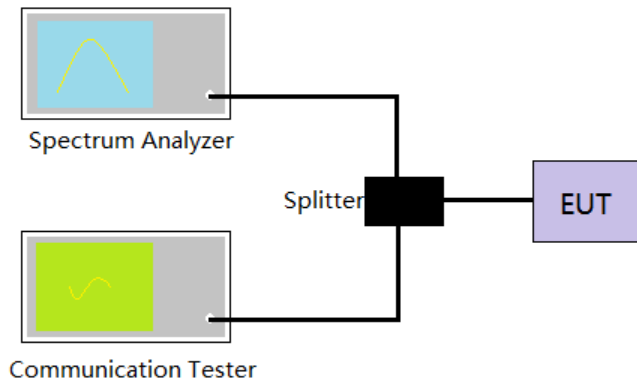
Refer to appendix B on the section 8 appendix report

5.3. 99% Occupied Bandwidth & 26 dB Bandwidth

LIMIT

N/A

TEST CONFIGURATION



TEST PROCEDURE

1. The EUT was connected to the spectrum analyzer and communication tester via a power splitter
2. Set EUT in maximum power output.
3. Spectrum analyzer setting as follow:
Center Frequency= Carrier frequency, RBW=1% to 5% of the anticipated OBW, VBW= 3 * RBW,
Detector=Peak,
Trace maximum hold.
4. Record the value of 99% Occupied bandwidth and 26dB bandwidth.

TEST MODE:

Please refer to the clause 3.3

TEST RESULTS

Passed Not Applicable

Refer to appendix C on the section 8 appendix report

5.4. Band Edge

LIMIT

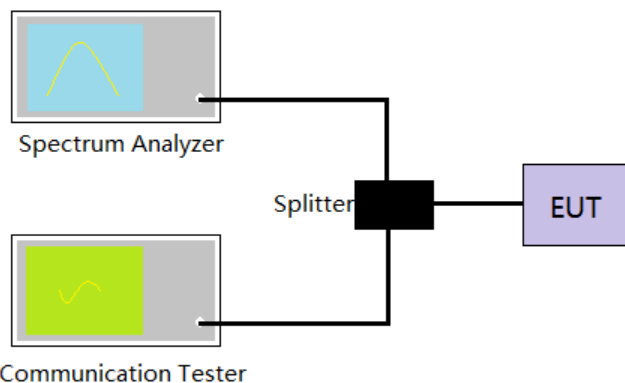
Part 24.238 and Part 22.917 and Part 27.53 specify that the power of any emission outside of the authorized operating frequency ranges must be attenuated below the transmitting power (P) by a factor of at least $43 + 10 \log(P)$ dB.

The specification that emissions shall be attenuated below the transmitter power (P) by at least $43 + 10 \log(P)$ dB, translates in the relevant power range (1 to 0.001 W) to -13 dBm. At 1 W the specified minimum attenuation becomes 43 dB and relative to a 30 dBm (1 W) carrier becomes a limit of -13 dBm. At 0.001 W (0 dBm) the minimum attenuation is 13 dB, which again yields a limit of -13 dBm. In this way a translation of the specification from relative to absolute terms is carried out.

LTE Band 7

Part 27.53 m(4) For mobile digital stations, the attenuation factor shall be not less than $40 + 10 \log(P)$ dB on all frequencies between the channel edge and 5 megahertz from the channel edge, $43 + 10 \log(P)$ dB on all frequencies between 5 megahertz and X megahertz from the channel edge, and $55 + 10 \log(P)$ dB on all frequencies more than X megahertz from the channel edge, where X is the greater of 6 megahertz or the actual emission bandwidth as defined in paragraph (m)(6) of this section.

TEST CONFIGURATION



TEST PROCEDURE

1. The EUT was connected to the spectrum analyzer and communication tester via a power splitter
2. Set EUT in maximum power output.
3. The band edges of low and high channels were measured.
4. Spectrum analyzer setting as follow:
RBW= no less than 1% of the OBW, VBW =3 * RBW, Sweep time= Auto
5. Record the test plot.

TEST MODE:

Please refer to the clause 3.3

TEST RESULTS

Passed Not Applicable

Refer to appendix D on the section 8 appendix report

5.5. Conducted Spurious Emissions

LIMIT

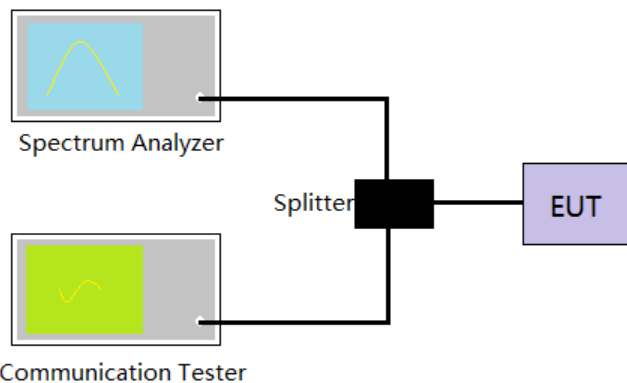
Part 24.238 and Part 22.917 and Part 27.53 specify that the power of any emission outside of the authorized operating frequency ranges must be attenuated below the transmitting power (P) by a factor of at least $43 + 10 \log(P)$ dB.

The specification that emissions shall be attenuated below the transmitter power (P) by at least $43 + 10 \log(P)$ dB, translates in the relevant power range (1 to 0.001 W) to -13 dBm. At 1 W the specified minimum attenuation becomes 43 dB and relative to a 30 dBm (1 W) carrier becomes a limit of -13 dBm. At 0.001 W (0 dBm) the minimum attenuation is 13 dB, which again yields a limit of -13 dBm. In this way a translation of the specification from relative to absolute terms is carried out.

LTE Band 7

Part 27.53 m(4) For mobile digital stations, the attenuation factor shall be not less than $40 + 10 \log(P)$ dB on all frequencies between the channel edge and 5 megahertz from the channel edge, $43 + 10 \log(P)$ dB on all frequencies between 5 megahertz and X megahertz from the channel edge, and $55 + 10 \log(P)$ dB on all frequencies more than X megahertz from the channel edge, where X is the greater of 6 megahertz or the actual emission bandwidth as defined in paragraph (m)(6) of this section. In addition, the attenuation factor shall not be less than $43 + 10 \log(P)$ dB on all frequencies between 2490.5 MHz and 2496 MHz and $55 + 10 \log(P)$ dB at or below 2490.5 MHz. Mobile Satellite Service licensees operating on frequencies below 2495 MHz may also submit a documented interference complaint against BRS licensees operating on channel BRS Channel 1 on the same terms and conditions as adjacent channel BRS or EBS licensees. Limit < -25 dBm

TEST CONFIGURATION



TEST PROCEDURE

1. The EUT was connected to the spectrum analyzer and communication tester via a power splitter
2. Set EUT in maximum power output.
3. Spectrum analyzer setting as follow:
Below 1GHz, RBW=100KHz, VBW = 300KHz, Detector=Peak, Sweep time= Auto
Above 1GHz, RBW=1MHz, VBW=3MHz, Detector=Peak, Sweep time= Auto
Scan frequency range up to 10th harmonic.
4. Record the test plot.

TEST MODE:

Please refer to the clause 3.3

TEST RESULTS

Passed **Not Applicable**

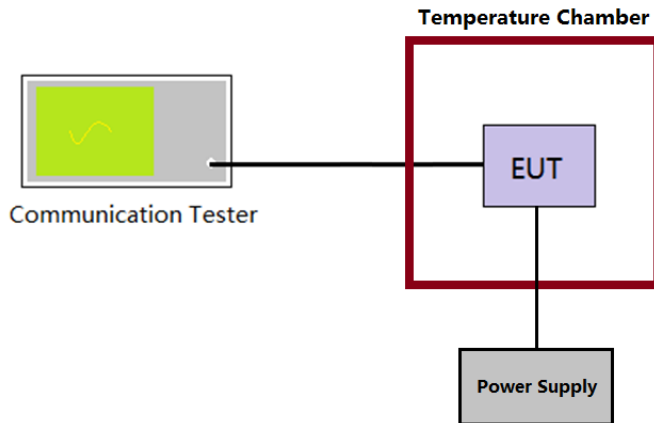
Refer to appendix E on the section 8 appendix report

5.6. Frequency stability VS Temperature measurement

LIMIT

2.5ppm

TEST CONFIGURATION



TEST PROCEDURE

1. The equipment under test was connected to an external DC power supply and input rated voltage.
2. The EUT output port was connected to communication tester.
3. The EUT was placed inside the temperature chamber.
4. Turn EUT off and set the chamber temperature to -30°C . After the temperature stabilized for approximately 30 minutes recorded the frequency.
5. Repeat step 4 measure with 10°C increased per stage until the highest temperature of $+50^{\circ}\text{C}$ reached.

TEST MODE:

Please refer to the clause 3.3

TEST RESULTS

Passed Not Applicable

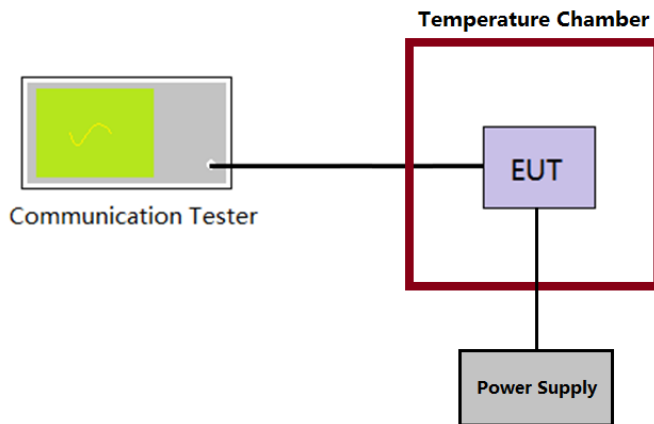
Refer to appendix F on the section 8 appendix report

5.7. Frequency stability VS Voltage measurement

LIMIT

2.5ppm

TEST CONFIGURATION



TEST PROCEDURE

1. The equipment under test was connected to an external DC power supply and input rated voltage.
2. The EUT output port was connected to communication tester.
3. The EUT was placed inside the temperature chamber at 25°C
4. The power supply voltage to the EUT was varied $\pm 15\%$ of the nominal value measured at the input to the EUT
5. Record the maximum frequency change.

TEST MODE:

Please refer to the clause 3.3

TEST RESULTS

Passed **Not Applicable**

Refer to appendix F on the section 8 appendix report

5.8. ERP and EIRP

LIMIT

LTE Band 2/7/25/41: 2W(33dBm) EIRP

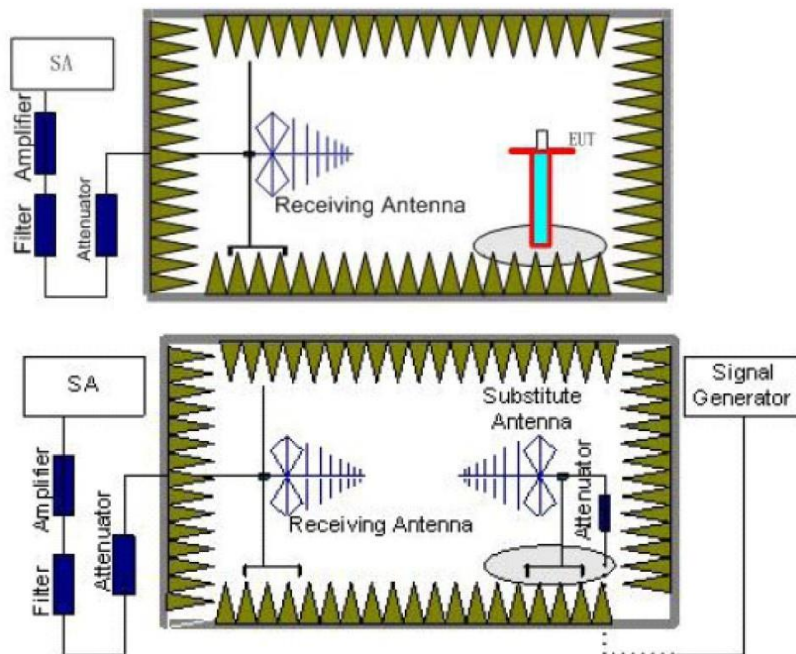
LTE Band 4: 1W(30dBm) EIRP

LTE Band 5/26: 7W(38.50dBm) ERP

LTE Band 12/17: 3W(34.77dBm) ERP

LTE Band 13: 30W(44.77dBm) ERP

TEST CONFIGURATION



TEST PROCEDURE

1. Place the EUT in the center of the turntable.
 - a) For radiated emissions measurements performed at frequencies less than or equal to 1 GHz, the EUT shall be placed on a RF-transparent table at a nominal height of 80 cm above the reference ground plane
 - b) For radiated measurements performed at frequencies above 1 GHz, the EUT shall be placed on an RF transparent table at a nominal height of 1.5 m above the ground plane.
2. Unless the EUT uses an integral antenna, the EUT shall be terminated with a non-radiating transmitter load. In cases where the EUT uses an adjustable antenna, the antenna shall be adjusted through typical positions and lengths to maximize emissions levels.
3. The EUT shall be tested while operating on the frequency per manufacturer specification. Set the transmitter to operate in continuous transmit mode.
4. Receiver or Spectrum set as follow:
 - Below 1GHz, RBW=100kHz, VBW=300kHz, Detector=Peak, Sweep time=Auto
 - Above 1GHz, RBW=1MHz, VBW=3MHz, Detector=Peck, Sweep time=Auto
5. Each emission under consideration shall be evaluated:
 - a) Raise and lower the measurement antenna from 1 m to 4 m, as necessary to enable detection of the maximum emission amplitude relative to measurement antenna height.
 - b) Rotate the EUT through 360° to determine the maximum emission level relative to the axial position.

- c) Return the turntable to the azimuth where the highest emission amplitude level was observed.
 - d) Vary the measurement antenna height again through 1 m to 4 m again to find the height associated with the maximum emission amplitude.
 - e) Record the measured emission amplitude level and frequency
6. Repeat step 5 for each emission frequency with the measurement antenna oriented in both the horizontal and vertical polarizations to determine the orientation that gives the maximum emissions amplitude.
 7. Set-up the substitution measurement with the reference point of the substitution antenna located as near as possible to where the center of the EUT radiating element was located during the initial EUT measurement.
 8. Maintain the previous measurement instrument settings and test set-up, with the exception that the EUT is removed and replaced by the substitution antenna.
 9. Connect a signal generator to the substitution antenna; locate the signal generator so as to minimize any potential influences on the measurement results. Set the signal generator to the frequency where emissions are detected, and set an output power level such that the radiated signal can be detected by the measurement instrument, with sufficient dynamic range relative to the noise floor.
 10. For each emission that was detected and measured in the initial test
 - a) Vary the measurement antenna height between 1 m to 4 m to maximize the received (measured) signal amplitude.
 - b) Adjust the signal generator output power level until the amplitude detected by the measurement instrument equals the amplitude level of the emission previously measured directly in step 5 and step 6.
 - c) Record the output power level of the signal generator when equivalence is achieved in step b).
 11. Repeat step 8 through step 10 with the measurement antenna oriented in the opposite polarization.
 12. Calculate the emission power in dBm referenced to a half-wave dipole using the following equation:
$$P_e = P_s(\text{dBm}) - \text{cable loss (dB)} + \text{antenna gain (dBd)}$$
where
 P_e = equivalent emission power in dBm
 P_s = source (signal generator) power in dBm
NOTE—dBd refers to the measured antenna gain in decibels relative to a half-wave dipole.
 13. Correct the antenna gain of the substitution antenna if necessary to reference the emission power to a half-wave dipole. When using measurement antennas with the gain specified in dBi, the equivalent dipole-referenced gain can be determined from:
$$\text{gain (dBd)} = \text{gain (dBi)} - 2.15 \text{ dB.}$$
If necessary, the antenna gain can be calculated from calibrated antenna factor information
 14. Provide the complete measurement results as a part of the test report.

TEST MODE:

Please refer to the clause 3.3

TEST RESULTS

Passed Not Applicable

LTE Band 2-1.4MHz					
Modulation	Channel	EIRP (dBm)		Limit (dBm)	Result
		Vertical	Horizontal		
QPSK	Low	20.74	18.48	≤33.00	PASS
	Mid	21.15	18.42		
	High	20.79	18.41		
16QAM	Low	20.58	18.40		PASS
	Mid	21.04	18.60		
	High	20.66	18.27		

LTE Band 2-3MHz					
Modulation	Channel	EIRP (dBm)		Limit (dBm)	Result
		Vertical	Horizontal		
QPSK	Low	20.62	18.41	≤33.00	PASS
	Mid	21.19	18.31		
	High	20.84	18.44		
16QAM	Low	20.44	18.23		PASS
	Mid	20.80	18.33		
	High	20.55	18.31		

LTE Band 2-5MHz					
Modulation	Channel	EIRP (dBm)		Limit (dBm)	Result
		Vertical	Horizontal		
QPSK	Low	20.63	18.37	≤33.00	PASS
	Mid	20.95	18.39		
	High	20.70	18.56		
16QAM	Low	20.64	18.60		PASS
	Mid	20.86	18.24		
	High	20.46	18.29		

LTE Band 2-10MHz					
Modulation	Channel	EIRP (dBm)		Limit (dBm)	Result
		Vertical	Horizontal		
QPSK	Low	20.79	18.28	≤33.00	PASS
	Mid	21.16	18.46		
	High	20.62	18.39		
16QAM	Low	20.93	18.69		PASS
	Mid	21.21	18.62		
	High	20.61	18.38		

LTE Band 2-15MHz						
Modulation	Channel	EIRP (dBm)		Limit (dBm)	Result	
		Vertical	Horizontal			
QPSK	Low	20.66	18.32	≤33.00	PASS	
	Mid	21.07	18.45			
	High	20.85	18.35			
16QAM	Low	20.46	18.40		≤33.00	PASS
	Mid	20.87	18.28			
	High	20.58	18.16			

LTE Band 2-20MHz						
Modulation	Channel	EIRP (dBm)		Limit (dBm)	Result	
		Vertical	Horizontal			
QPSK	Low	20.59	18.30	≤33.00	PASS	
	Mid	20.93	18.25			
	High	20.63	18.58			
16QAM	Low	20.35	18.40		≤33.00	PASS
	Mid	20.65	18.20			
	High	20.59	18.21			

LTE Band 4-1.4MHz						
Modulation	Channel	EIRP (dBm)		Limit (dBm)	Result	
		Vertical	Horizontal			
QPSK	Low	21.36	18.23	≤30.00	PASS	
	Mid	21.71	18.84			
	High	20.76	18.31			
16QAM	Low	21.18	18.14		≤30.00	PASS
	Mid	21.55	18.97			
	High	20.57	18.11			

LTE Band 4-3MHz						
Modulation	Channel	EIRP (dBm)		Limit (dBm)	Result	
		Vertical	Horizontal			
QPSK	Low	21.23	18.16	≤30.00	PASS	
	Mid	21.77	18.72			
	High	20.82	18.34			
16QAM	Low	21.02	17.95		≤30.00	PASS
	Mid	21.35	18.76			
	High	20.47	18.18			

LTE Band 4-5MHz						
Modulation	Channel	EIRP (dBm)		Limit (dBm)	Result	
		Vertical	Horizontal			
QPSK	Low	21.27	18.13	≤30.00	PASS	
	Mid	21.52	18.83			
	High	20.61	18.41			
16QAM	Low	21.30	18.44		≤30.00	PASS
	Mid	21.39	18.63			
	High	20.34	18.10			

LTE Band 4-10MHz						
Modulation	Channel	EIRP (dBm)		Limit (dBm)	Result	
		Vertical	Horizontal			
QPSK	Low	21.41	17.99	≤30.00	PASS	
	Mid	21.73	18.89			
	High	20.60	18.33			
16QAM	Low	21.54	18.44		≤30.00	PASS
	Mid	21.71	18.98			
	High	20.56	18.28			

LTE Band 4-15MHz						
Modulation	Channel	EIRP (dBm)		Limit (dBm)	Result	
		Vertical	Horizontal			
QPSK	Low	21.26	18.03	≤30.00	PASS	
	Mid	21.71	18.94			
	High	20.83	18.24			
16QAM	Low	21.04	18.13		≤30.00	PASS
	Mid	21.51	18.77			
	High	20.50	18.00			

LTE Band 4-20MHz						
Modulation	Channel	EIRP (dBm)		Limit (dBm)	Result	
		Vertical	Horizontal			
QPSK	Low	21.19	18.01	≤30.00	PASS	
	Mid	21.48	18.66			
	High	20.60	18.54			
16QAM	Low	20.93	18.20		≤30.00	PASS
	Mid	21.21	18.64			
	High	20.53	18.07			

LTE Band 5-1.4MHz						
Modulation	Channel	ERP (dBm)		Limit (dBm)	Result	
		Vertical	Horizontal			
QPSK	Low	21.31	18.01	≤38.50	PASS	
	Mid	22.11	18.46			
	High	20.96	18.27			
16QAM	Low	21.27	17.99		≤38.50	PASS
	Mid	22.08	18.50			
	High	20.93	18.24			

LTE Band 5-3MHz						
Modulation	Channel	ERP (dBm)		Limit (dBm)	Result	
		Vertical	Horizontal			
QPSK	Low	21.29	18.01	≤38.50	PASS	
	Mid	22.09	18.42			
	High	20.99	18.29			
16QAM	Low	21.25	17.96		≤38.50	PASS
	Mid	22.03	18.45			
	High	20.92	18.27			

LTE Band 5-5MHz						
Modulation	Channel	ERP (dBm)		Limit (dBm)	Result	
		Vertical	Horizontal			
QPSK	Low	21.29	17.99	≤38.50	PASS	
	Mid	22.04	18.43			
	High	20.95	18.31			
16QAM	Low	21.30	18.06		≤38.50	PASS
	Mid	22.02	18.40			
	High	20.88	18.24			

LTE Band 5-10MHz						
Modulation	Channel	ERP (dBm)		Limit (dBm)	Result	
		Vertical	Horizontal			
QPSK	Low	21.31	17.97	≤38.50	PASS	
	Mid	22.11	18.47			
	High	20.95	18.30			
16QAM	Low	21.33	18.04		≤38.50	PASS
	Mid	22.09	18.48			
	High	20.94	18.29			

LTE Band 7-5MHz						
Modulation	Channel	EIRP (dBm)		Limit (dBm)	Result	
		Vertical	Horizontal			
QPSK	Low	20.42	18.23	≤33.00	PASS	
	Mid	20.84	18.98			
	High	20.05	18.06			
16QAM	Low	20.26	18.14		≤33.00	PASS
	Mid	20.73	19.12			
	High	19.94	17.95			

LTE Band 7-10MHz						
Modulation	Channel	EIRP (dBm)		Limit (dBm)	Result	
		Vertical	Horizontal			
QPSK	Low	20.35	18.20	≤33.00	PASS	
	Mid	20.79	18.83			
	High	20.17	18.16			
16QAM	Low	20.17	18.02		≤33.00	PASS
	Mid	20.54	18.92			
	High	19.93	18.07			

LTE Band 7-15MHz						
Modulation	Channel	EIRP (dBm)		Limit (dBm)	Result	
		Vertical	Horizontal			
QPSK	Low	20.33	18.14	≤33.00	PASS	
	Mid	20.57	18.87			
	High	20.01	18.22			
16QAM	Low	20.39	18.41		≤33.00	PASS
	Mid	20.50	18.75			
	High	19.77	17.93			

LTE Band 7-20MHz						
Modulation	Channel	EIRP (dBm)		Limit (dBm)	Result	
		Vertical	Horizontal			
QPSK	Low	20.44	18.05	≤33.00	PASS	
	Mid	20.84	19.01			
	High	20.01	18.17			
16QAM	Low	20.51	18.35		≤33.00	PASS
	Mid	20.77	19.04			
	High	19.99	18.15			

LTE Band 12-1.4MHz						
Modulation	Channel	ERP (dBm)		Limit (dBm)	Result	
		Vertical	Horizontal			
QPSK	Low	21.35	19.35	≤34.77	PASS	
	Mid	21.91	19.98			
	High	21.42	19.45			
16QAM	Low	21.26	19.30		≤34.77	PASS
	Mid	21.84	20.00			
	High	21.37	19.39			

LTE Band 12-3MHz						
Modulation	Channel	ERP (dBm)		Limit (dBm)	Result	
		Vertical	Horizontal			
QPSK	Low	21.31	19.34	≤34.77	PASS	
	Mid	21.93	19.94			
	High	21.44	19.46			
16QAM	Low	21.22	19.25		≤34.77	PASS
	Mid	21.78	19.93			
	High	21.34	19.41			

LTE Band 12-5MHz						
Modulation	Channel	ERP (dBm)		Limit (dBm)	Result	
		Vertical	Horizontal			
QPSK	Low	21.30	19.30	≤34.77	PASS	
	Mid	21.83	19.96			
	High	21.39	19.50			
16QAM	Low	21.33	19.43		≤34.77	PASS
	Mid	21.81	19.91			
	High	21.30	19.40			

LTE Band 12-10MHz						
Modulation	Channel	ERP (dBm)		Limit (dBm)	Result	
		Vertical	Horizontal			
QPSK	Low	21.34	19.26	≤34.77	PASS	
	Mid	21.91	19.99			
	High	21.38	19.47			
16QAM	Low	21.35	19.38		≤34.77	PASS
	Mid	21.91	20.02			
	High	21.39	19.47			

LTE Band 13-5MHz						
Modulation	Channel	ERP (dBm)		Limit (dBm)	Result	
		Vertical	Horizontal			
QPSK	Low	20.66	17.90	<44.77	PASS	
	Mid	21.48	18.47			
	High	20.84	17.62			
16QAM	Low	20.62	17.87		<44.77	PASS
	Mid	21.44	18.53			
	High	20.79	17.56			

LTE Band 13-10MHz					
Modulation	Channel	ERP (dBm)		Limit (dBm)	Result
		Vertical	Horizontal		
QPSK	Mid	21.52	18.45	<44.77	PASS
16QAM	Mid	21.37	18.45		PASS

LTE Band 17-5MHz						
Modulation	Channel	ERP (dBm)		Limit (dBm)	Result	
		Vertical	Horizontal			
QPSK	Low	20.74	18.53	≤34.77	PASS	
	Mid	21.23	18.83			
	High	20.52	18.58			
16QAM	Low	20.56	18.42		≤34.77	PASS
	Mid	21.10	18.86			
	High	20.42	18.47			

LTE Band 17-10MHz						
Modulation	Channel	ERP (dBm)		Limit (dBm)	Result	
		Vertical	Horizontal			
QPSK	Low	20.66	18.49	≤34.77	PASS	
	Mid	21.26	18.75			
	High	20.54	18.59			
16QAM	Low	20.50	18.33		≤34.77	PASS
	Mid	20.98	18.74			
	High	20.36	18.51			

LTE Band 25-1.4MHz						
Modulation	Channel	EIRP (dBm)		Limit (dBm)	Result	
		Vertical	Horizontal			
QPSK	Low	20.88	18.26	≤33.00	PASS	
	Mid	21.62	18.65			
	High	20.61	18.14			
16QAM	Low	20.73	18.18		≤33.00	PASS
	Mid	21.50	18.76			
	High	20.48	18.00			

LTE Band 25-3MHz						
Modulation	Channel	EIRP (dBm)		Limit (dBm)	Result	
		Vertical	Horizontal			
QPSK	Low	20.82	18.24	≤33.00	PASS	
	Mid	21.67	18.56			
	High	20.70	18.21			
16QAM	Low	20.66	18.08		≤33.00	PASS
	Mid	21.40	18.66			
	High	20.41	18.06			

LTE Band 25-5MHz						
Modulation	Channel	EIRP (dBm)		Limit (dBm)	Result	
		Vertical	Horizontal			
QPSK	Low	20.81	18.19	≤33.00	PASS	
	Mid	21.48	18.65			
	High	20.62	18.39			
16QAM	Low	20.87	18.47		≤33.00	PASS
	Mid	21.41	18.52			
	High	20.34	18.06			

LTE Band 25-10MHz						
Modulation	Channel	EIRP (dBm)		Limit (dBm)	Result	
		Vertical	Horizontal			
QPSK	Low	20.87	18.07	≤33.00	PASS	
	Mid	21.56	18.63			
	High	20.51	18.18			
16QAM	Low	20.96	18.37		≤33.00	PASS
	Mid	21.58	18.73			
	High	20.49	18.15			

LTE Band 25-15MHz						
Modulation	Channel	EIRP (dBm)		Limit (dBm)	Result	
		Vertical	Horizontal			
QPSK	Low	20.83	18.13	≤33.00	PASS	
	Mid	21.52	18.65			
	High	20.73	18.14			
16QAM	Low	20.63	18.18		≤33.00	PASS
	Mid	21.39	18.53			
	High	20.44	17.93			

LTE Band 25-20MHz						
Modulation	Channel	EIRP (dBm)		Limit (dBm)	Result	
		Vertical	Horizontal			
QPSK	Low	20.68	18.05	≤33.00	PASS	
	Mid	21.41	18.49			
	High	20.53	18.37			
16QAM	Low	20.49	18.10		≤33.00	PASS
	Mid	21.22	18.49			
	High	20.44	17.97			

LTE Band 26-1.4MHz						
Modulation	Channel	ERP (dBm)		Limit (dBm)	Result	
		Vertical	Horizontal			
QPSK	Low	20.82	17.80	≤33.00	PASS	
	Mid	21.00	18.45			
	High	20.48	17.68			
16QAM	Low	20.76	17.78		≤33.00	PASS
	Mid	20.96	18.51			
	High	20.42	17.61			

LTE Band 26-3MHz						
Modulation	Channel	ERP (dBm)		Limit (dBm)	Result	
		Vertical	Horizontal			
QPSK	Low	20.77	17.77	≤33.00	PASS	
	Mid	21.07	18.44			
	High	20.50	17.69			
16QAM	Low	20.70	17.70		≤33.00	PASS
	Mid	20.89	18.43			
	High	20.38	17.63			

LTE Band 26-5MHz					
Modulation	Channel	ERP (dBm)		Limit (dBm)	Result
		Vertical	Horizontal		
QPSK	Low	20.75	17.74	≤33.00	PASS
	Mid	20.96	18.47		
	High	20.48	17.78		
16QAM	Low	20.77	17.84		
	Mid	20.92	18.41		
	High	20.37	17.65		

LTE Band 26-10MHz					
Modulation	Channel	ERP (dBm)		Limit (dBm)	Result
		Vertical	Horizontal		
QPSK	Low	20.82	17.72	≤33.00	PASS
	Mid	21.01	18.47		
	High	20.44	17.70		
16QAM	Low	20.86	17.86		
	Mid	21.03	18.53		
	High	20.43	17.68		

LTE Band 26-15MHz					
Modulation	Channel	ERP (dBm)		Limit (dBm)	Result
		Vertical	Horizontal		
QPSK	Low	20.76	17.72	≤33.00	PASS
	Mid	20.98	18.47		
	High	20.52	17.67		
16QAM	Low	20.68	17.73		
	Mid	20.92	18.41		
	High	20.41	17.59		

LTE Band 41-5MHz					
Modulation	Channel	EIRP (dBm)		Limit (dBm)	Result
		Vertical	Horizontal		
QPSK	Low	20.93	17.98	≤33.00	PASS
	Mid	21.40	18.58		
	High	20.64	17.99		
16QAM	Low	20.79	17.90		
	Mid	21.32	18.65		
	High	20.57	17.91		

LTE Band 41-10MHz						
Modulation	Channel	EIRP (dBm)		Limit (dBm)	Result	
		Vertical	Horizontal			
QPSK	Low	20.79	17.88	≤33.00	PASS	
	Mid	21.49	18.56			
	High	20.76	18.09			
16QAM	Low	20.69	17.79		≤33.00	PASS
	Mid	21.28	18.61			
	High	20.52	17.95			

LTE Band 41-15MHz						
Modulation	Channel	EIRP (dBm)		Limit (dBm)	Result	
		Vertical	Horizontal			
QPSK	Low	20.84	17.90	≤33.00	PASS	
	Mid	21.33	18.60			
	High	20.69	18.20			
16QAM	Low	20.93	18.15		≤33.00	PASS
	Mid	21.27	18.51			
	High	20.50	17.98			

LTE Band 41-20MHz						
Modulation	Channel	EIRP (dBm)		Limit (dBm)	Result	
		Vertical	Horizontal			
QPSK	Low	20.89	17.82	≤33.00	PASS	
	Mid	21.45	18.64			
	High	20.60	18.05			
16QAM	Low	20.99	18.07		≤33.00	PASS
	Mid	21.46	18.71			
	High	20.60	18.05			

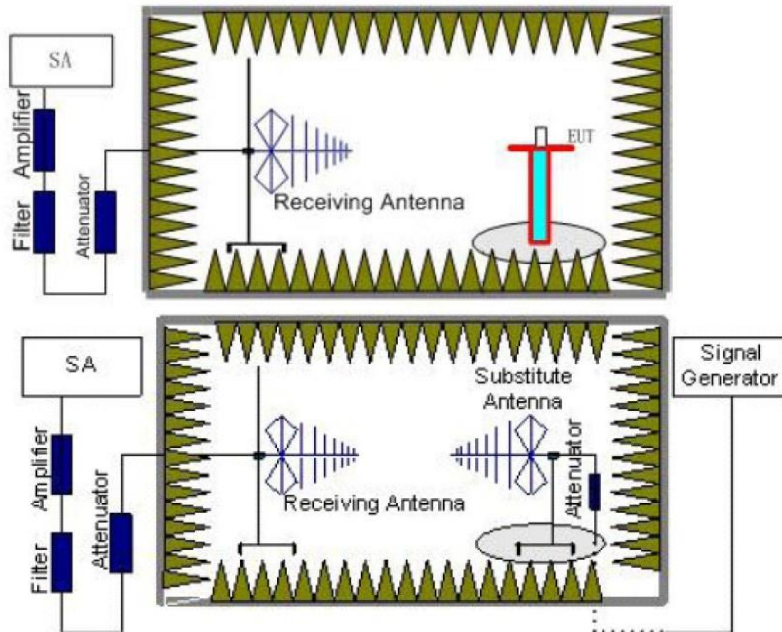
5.9. Radiated Spurious Emission

LIMIT

LTE Band 2/4/5/12/13/17/25/26: -13dBm;

LTE Band 7/41: -25dBm

TEST CONFIGURATION



TEST PROCEDURE

1. Place the EUT in the center of the turntable.
 - a) For radiated emissions measurements performed at frequencies less than or equal to 1 GHz, the EUT shall be placed on a RF-transparent table at a nominal height of 80 cm above the reference ground plane
 - b) For radiated measurements performed at frequencies above 1 GHz, the EUT shall be placed on an RF transparent table at a nominal height of 1.5 m above the ground plane.
2. Unless the EUT uses an integral antenna, the EUT shall be terminated with a non-radiating transmitter load. In cases where the EUT uses an adjustable antenna, the antenna shall be adjusted through typical positions and lengths to maximize emissions levels.
3. The EUT shall be tested while operating on the frequency per manufacturer specification. Set the transmitter to operate in continuous transmit mode.
4. Receiver or Spectrum set as follow:
 - Below 1GHz, RBW=100kHz, VBW=300kHz, Detector=Peak, Sweep time=Auto
 - Above 1GHz, RBW=1MHz, VBW=3MHz, Detector=Peck, Sweep time=Auto
5. Each emission under consideration shall be evaluated:
 - a) Raise and lower the measurement antenna from 1 m to 4 m, as necessary to enable detection of the maximum emission amplitude relative to measurement antenna height.
 - b) Rotate the EUT through 360° to determine the maximum emission level relative to the axial position.
 - c) Return the turntable to the azimuth where the highest emission amplitude level was observed.
 - d) Vary the measurement antenna height again through 1 m to 4 m again to find the height associated with the maximum emission amplitude.
 - e) Record the measured emission amplitude level and frequency

6. Repeat step 5 for each emission frequency with the measurement antenna oriented in both the horizontal and vertical polarizations to determine the orientation that gives the maximum emissions amplitude.
7. Set-up the substitution measurement with the reference point of the substitution antenna located as near as possible to where the center of the EUT radiating element was located during the initial EUT measurement.
8. Maintain the previous measurement instrument settings and test set-up, with the exception that the EUT is removed and replaced by the substitution antenna.
9. Connect a signal generator to the substitution antenna; locate the signal generator so as to minimize any potential influences on the measurement results. Set the signal generator to the frequency where emissions are detected, and set an output power level such that the radiated signal can be detected by the measurement instrument, with sufficient dynamic range relative to the noise floor.
10. For each emission that was detected and measured in the initial test
 - a) Vary the measurement antenna height between 1 m to 4 m to maximize the received (measured) signal amplitude.
 - b) Adjust the signal generator output power level until the amplitude detected by the measurement instrument equals the amplitude level of the emission previously measured directly in step 5 and step 6.
 - c) Record the output power level of the signal generator when equivalence is achieved in step b).
11. Repeat step 8 through step 10 with the measurement antenna oriented in the opposite polarization.
12. Calculate the emission power in dBm referenced to a half-wave dipole using the following equation:
$$P_e = P_s(\text{dBm}) - \text{cable loss (dB)} + \text{antenna gain (dBd)}$$
where
 P_e = equivalent emission power in dBm
 P_s = source (signal generator) power in dBm
NOTE—dBd refers to the measured antenna gain in decibels relative to a half-wave dipole.
13. Correct the antenna gain of the substitution antenna if necessary to reference the emission power to a half-wave dipole. When using measurement antennas with the gain specified in dBi, the equivalent dipole-referenced gain can be determined from:
$$\text{gain (dBd)} = \text{gain (dBi)} - 2.15 \text{ dB.}$$
If necessary, the antenna gain can be calculated from calibrated antenna factor information
14. Provide the complete measurement results as a part of the test report.

TEST MODE:

Please refer to the clause 3.3

TEST RESULTS

Passed **Not Applicable**

Note: only show the worse case for QPSK modulation.

LTE Band 2-1.4MHz					
Channel	Frequency (MHz)	Spurious Emission		Limit (dBm)	Result
		Polarization	Level (dBm)		
Low	3701.4	Vertical	-33.28	≤-13.00	Pass
	5552.1	V	-37.87		
	7402.8	V	-41.49		
	3701.4	Horizontal	-35.50	≤-13.00	Pass
	5552.1	H	-39.87		
	7402.8	H	-41.46		
Mid	3760	Vertical	-30.93	≤-13.00	Pass
	5640	V	-35.82		
	7520	V	-39.35		
	3760	Horizontal	-33.61	≤-13.00	Pass
	5640	H	-36.98		
	7520	H	-39.95		
High	3818.6	Vertical	-28.79	≤-13.00	Pass
	5727.9	V	-33.18		
	7637.2	V	-35.83		
	3818.6	Horizontal	-30.13	≤-13.00	Pass
	5727.9	H	-35.01		
	7637.2	H	-38.78		

LTE Band 2-3MHz					
Channel	Frequency (MHz)	Spurious Emission		Limit (dBm)	Result
		Polarization	Level (dBm)		
Low	3703	Vertical	-27.52	≤-13.00	Pass
	5554.5	V	-31.57		
	7406	V	-35.06		
	3703	Horizontal	-29.52	≤-13.00	Pass
	5554.5	H	-33.72		
	7406	H	-37.28		
Mid	3760	Vertical	-26.04	≤-13.00	Pass
	5640	V	-30.28		
	7520	V	-33.71		
	3760	Horizontal	-28.33	≤-13.00	Pass
	5640	H	-31.90		
	7520	H	-36.33		
High	3817	Vertical	-24.69	≤-13.00	Pass
	5725.5	V	-28.62		
	7634	V	-31.49		
	3817	Horizontal	-26.14	≤-13.00	Pass
	5725.5	H	-30.66		
	7634	H	-35.59		

LTE Band 2-5MHz					
Channel	Frequency (MHz)	Spurious Emission		Limit (dBm)	Result
		Polarization	Level (dBm)		
Low	3705	Vertical	-23.42	≤-13.00	Pass
	5557.5	V	-27.01		
	7410	V	-30.72		
	3705	Horizontal	-25.53	≤-13.00	Pass
	5557.5	H	-29.37		
	7410	H	-34.09		
Mid	3760	Vertical	-21.94	≤-13.00	Pass
	5640	V	-25.72		
	7520	V	-29.37		
	3760	Horizontal	-24.34	≤-13.00	Pass
	5640	H	-27.55		
	7520	H	-33.14		
High	3815	Vertical	-20.59	≤-13.00	Pass
	5722.5	V	-24.06		
	7630	V	-27.15		
	3815	Horizontal	-22.15	≤-13.00	Pass
	5722.5	H	-26.31		
	7630	H	-32.40		

LTE Band 2-10MHz					
Channel	Frequency (MHz)	Spurious Emission		Limit (dBm)	Result
		Polarization	Level (dBm)		
Low	3710	Vertical	-19.79	≤-13.00	Pass
	5565	V	-23.05		
	7420	V	-26.67		
	3710	Horizontal	-21.77	≤-13.00	Pass
	5565	H	-25.50		
	7420	H	-31.45		
Mid	3760	Vertical	-18.86	≤-13.00	Pass
	5640	V	-22.24		
	7520	V	-25.82		
	3760	Horizontal	-21.02	≤-13.00	Pass
	5640	H	-24.35		
	7520	H	-30.85		
High	3810	Vertical	-18.01	≤-13.00	Pass
	5715	V	-21.19		
	7620	V	-24.42		
	3810	Horizontal	-19.64	≤-13.00	Pass
	5715	H	-23.57		
	7620	H	-30.38		

LTE Band 2-15MHz					
Channel	Frequency (MHz)	Spurious Emission		Limit (dBm)	Result
		Polarization	Level (dBm)		
Low	3715	Vertical	-16.86	≤-13.00	Pass
	5572.5	V	-19.73		
	7430	V	-23.73		
	3715	Horizontal	-19.09	≤-13.00	Pass
	5572.5	H	-22.40		
	7430	H	-29.02		
Mid	3760	Vertical	-15.52	≤-13.00	Pass
	5640	V	-18.56		
	7520	V	-22.51		
	3760	Horizontal	-18.02	≤-13.00	Pass
	5640	H	-20.75		
	7520	H	-28.16		
High	3805	Vertical	-14.30	≤-13.00	Pass
	5707.5	V	-17.06		
	7610	V	-20.50		
	3805	Horizontal	-16.04	≤-13.00	Pass
	5707.5	H	-19.63		
	7610	H	-27.49		

LTE Band 2-20MHz					
Channel	Frequency (MHz)	Spurious Emission		Limit (dBm)	Result
		Polarization	Level (dBm)		
Low	3720	Vertical	-13.58	≤-13.00	Pass
	5580	V	-16.14		
	7440	V	-20.06		
	3720	Horizontal	-15.69	≤-13.00	Pass
	5580	H	-18.89		
	7440	H	-26.63		
Mid	3760	Vertical	-12.74	≤-13.00	Pass
	5640	V	-15.40		
	7520	V	-19.29		
	3760	Horizontal	-15.01	≤-13.00	Pass
	5640	H	-17.85		
	7520	H	-26.09		
High	3800	Vertical	-11.97	≤-13.00	Pass
	5700	V	-14.45		
	7600	V	-18.03		
	3800	Horizontal	-13.76	≤-13.00	Pass
	5700	H	-17.14		
	7600	H	-25.67		

Remark:

1. Remark"---" means that the emission level is too low to be measured
2. The emission levels of below 1 GHz are very lower than the limit and not show in test report.

LTE Band 4-1.4MHz					
Channel	Frequency (MHz)	Spurious Emission		Limit (dBm)	Result
		Polarization	Level (dBm)		
Low	3421.4	Vertical	-33.18	≤-13.00	Pass
	5132.1	V	-42.04		
	6842.8	V	-44.43		
	3421.4	Horizontal	-34.42	≤-13.00	Pass
	5132.1	H	-41.75		
	6842.8	H	-43.56		
Mid	3465	Vertical	-31.52	≤-13.00	Pass
	5197.5	V	-40.66		
	6930	V	-42.99		
	3465	Horizontal	-33.15	≤-13.00	Pass
	5197.5	H	-39.80		
	6930	H	-42.54		
High	3508.6	Vertical	-30.08	≤-13.00	Pass
	5262.9	V	-38.88		
	7017.2	V	-40.62		
	3508.6	Horizontal	-30.81	≤-13.00	Pass
	5262.9	H	-38.47		
	7017.2	H	-41.75		

LTE Band 4-3MHz					
Channel	Frequency (MHz)	Spurious Emission		Limit (dBm)	Result
		Polarization	Level (dBm)		
Low	3423	Vertical	-29.23	≤-13.00	Pass
	5134.5	V	-37.80		
	6846	V	-40.10		
	3423	Horizontal	-30.40	≤-13.00	Pass
	5134.5	H	-37.60		
	6846	H	-40.74		
Mid	3465	Vertical	-28.24	≤-13.00	Pass
	5197.5	V	-36.93		
	6930	V	-39.19		
	3465	Horizontal	-29.60	≤-13.00	Pass
	5197.5	H	-36.37		
	6930	H	-40.10		
High	3507	Vertical	-27.33	≤-13.00	Pass
	5260.5	V	-35.81		
	7014	V	-37.70		
	3507	Horizontal	-28.13	≤-13.00	Pass
	5260.5	H	-35.53		
	7014	H	-39.60		

LTE Band 4-5MHz					
Channel	Frequency (MHz)	Spurious Emission		Limit (dBm)	Result
		Polarization	Level (dBm)		
Low	3425	Vertical	-26.32	≤-13.00	Pass
	5137.5	V	-34.14		
	6850	V	-37.14		
	3425	Horizontal	-27.22	≤-13.00	Pass
	5137.5	H	-34.52		
	6850	H	-38.32		
Mid	3465	Vertical	-24.95	≤-13.00	Pass
	5197.5	V	-32.94		
	6930	V	-35.89		
	3465	Horizontal	-26.12	≤-13.00	Pass
	5197.5	H	-32.83		
	6930	H	-37.44		
High	3505	Vertical	-23.70	≤-13.00	Pass
	5257.5	V	-31.39		
	7010	V	-33.83		
	3505	Horizontal	-24.08	≤-13.00	Pass
	5257.5	H	-31.68		
	7010	H	-36.75		

LTE Band 4-10MHz					
Channel	Frequency (MHz)	Spurious Emission		Limit (dBm)	Result
		Polarization	Level (dBm)		
Low	3430	Vertical	-22.96	≤-13.00	Pass
	5145	V	-30.45		
	6860	V	-33.38		
	3430	Horizontal	-23.72	≤-13.00	Pass
	5145	H	-30.92		
	6860	H	-35.87		
Mid	3465	Vertical	-22.09	≤-13.00	Pass
	5197.5	V	-29.69		
	6930	V	-32.59		
	3465	Horizontal	-23.02	≤-13.00	Pass
	5197.5	H	-29.85		
	6930	H	-35.31		
High	3500	Vertical	-21.30	≤-13.00	Pass
	5250	V	-28.72		
	7000	V	-31.29		
	3500	Horizontal	-21.74	≤-13.00	Pass
	5250	H	-29.12		
	7000	H	-34.88		

LTE Band 4-15MHz					
Channel	Frequency (MHz)	Spurious Emission		Limit (dBm)	Result
		Polarization	Level (dBm)		
Low	3435	Vertical	-20.74	≤-13.00	Pass
	5152.5	V	-27.64		
	6870	V	-30.92		
	3435	Horizontal	-20.82	≤-13.00	Pass
	5152.5	H	-28.44		
	6870	H	-34.00		
Mid	3465	Vertical	-19.84	≤-13.00	Pass
	5197.5	V	-26.85		
	6930	V	-30.10		
	3465	Horizontal	-20.10	≤-13.00	Pass
	5197.5	H	-27.33		
	6930	H	-33.42		
High	3495	Vertical	-19.02	≤-13.00	Pass
	5242.5	V	-25.84		
	6990	V	-28.75		
	3495	Horizontal	-19.34	≤-13.00	Pass
	5242.5	H	-25.77		
	6990	H	-32.97		

LTE Band 4-20MHz					
Channel	Frequency (MHz)	Spurious Emission		Limit (dBm)	Result
		Polarization	Level (dBm)		
Low	3440	Vertical	-18.53	≤-13.00	Pass
	5160	V	-25.22		
	6880	V	-28.46		
	3440	Horizontal	-18.84	≤-13.00	Pass
	5160	H	-25.27		
	6880	H	-32.39		
Mid	3465	Vertical	-17.96	≤-13.00	Pass
	5197.5	V	-24.72		
	6930	V	-27.94		
	3465	Horizontal	-18.38	≤-13.00	Pass
	5197.5	H	-24.57		
	6930	H	-32.03		
High	3490	Vertical	-17.44	≤-13.00	Pass
	5235	V	-24.08		
	6980	V	-27.09		
	3490	Horizontal	-17.54	≤-13.00	Pass
	5235	H	-24.09		
	6980	H	-31.75		

Remark:

1. Remark"---" means that the emission level is too low to be measured
2. The emission levels of below 1 GHz are very lower than the limit and not show in test report.

LTE Band 5-1.4MHz					
Channel	Frequency (MHz)	Spurious Emission		Limit (dBm)	Result
		Polarization	Level (dBm)		
Low	1649.4	Vertical	-31.47	≤-13.00	Pass
	2474.1	V	-40.56		
	3298.8	V	-42.63		
	1649.4	Horizontal	-33.36	≤-13.00	Pass
	2474.1	H	-41.08		
	3298.8	H	-42.61		
Mid	1673	Vertical	-30.83	≤-13.00	Pass
	2509.5	V	-39.51		
	3346	V	-41.47		
	1673	Horizontal	-31.93	≤-13.00	Pass
	2509.5	H	-40.28		
	3346	H	-41.74		
High	1696.6	Vertical	-29.80	≤-13.00	Pass
	2544.9	V	-38.15		
	3393.2	V	-40.09		
	1696.6	Horizontal	-30.57	≤-13.00	Pass
	2544.9	H	-39.51		
	3393.2	H	-41.28		

LTE Band 5-3MHz					
Channel	Frequency (MHz)	Spurious Emission		Limit (dBm)	Result
		Polarization	Level (dBm)		
Low	1651	Vertical	-29.15	≤-13.00	Pass
	2476.5	V	-37.32		
	3302	V	-39.70		
	1651	Horizontal	-30.26	≤-13.00	Pass
	2476.5	H	-38.84		
	3302	H	-40.50		
Mid	1673	Vertical	-28.39	≤-13.00	Pass
	2509.5	V	-36.65		
	3346	V	-39.01		
	1673	Horizontal	-29.65	≤-13.00	Pass
	2509.5	H	-37.90		
	3346	H	-40.01		
High	1695	Vertical	-27.70	≤-13.00	Pass
	2542.5	V	-35.79		
	3390	V	-37.87		
	1695	Horizontal	-28.52	≤-13.00	Pass
	2542.5	H	-37.26		
	3390	H	-39.63		

LTE Band 5-5MHz					
Channel	Frequency (MHz)	Spurious Emission		Limit (dBm)	Result
		Polarization	Level (dBm)		
Low	1653	Vertical	-26.85	≤-13.00	Pass
	2479.5	V	-34.37		
	3306	V	-37.39		
	1653	Horizontal	-27.75	≤-13.00	Pass
	2479.5	H	-36.41		
	3306	H	-38.55		
Mid	1673	Vertical	-25.68	≤-13.00	Pass
	2509.5	V	-33.35		
	3346	V	-36.33		
	1673	Horizontal	-26.81	≤-13.00	Pass
	2509.5	H	-34.97		
	3346	H	-37.80		
High	1693	Vertical	-24.62	≤-13.00	Pass
	2539.5	V	-32.04		
	3386	V	-34.58		
	1693	Horizontal	-25.08	≤-13.00	Pass
	2539.5	H	-33.99		
	3386	H	-37.22		

LTE Band 5-10MHz					
Channel	Frequency (MHz)	Spurious Emission		Limit (dBm)	Result
		Polarization	Level (dBm)		
Low	1658	Vertical	-23.99	≤-13.00	Pass
	2487	V	-31.24		
	3316	V	-34.20		
	1658	Horizontal	-24.78	≤-13.00	Pass
	2487	H	-33.35		
	3316	H	-36.47		
Mid	1673	Vertical	-23.26	≤-13.00	Pass
	2509.5	V	-30.60		
	3346	V	-33.53		
	1673	Horizontal	-24.19	≤-13.00	Pass
	2509.5	H	-32.44		
	3346	H	-36.00		
High	1688	Vertical	-22.59	≤-13.00	Pass
	2532	V	-29.77		
	3376	V	-32.43		
	1688	Horizontal	-23.10	≤-13.00	Pass
	2532	H	-31.82		
	3376	H	-35.63		

Remark:

1. Remark"---" means that the emission level is too low to be measured
2. The emission levels of below 1 GHz are very lower than the limit and not show in test report.

LTE Band 7-5MHz					
Channel	Frequency (MHz)	Spurious Emission		Limit (dBm)	Result
		Polarization	Level (dBm)		
Low	5005	Vertical	-31.88	≤-25.00	Pass
	7507.5	V	-41.01		
	10010	V	-41.65		
	5005	Horizontal	-34.31	≤-25.00	Pass
	7507.5	H	-40.80		
	10010	H	-42.15		
Mid	5070	Vertical	-30.38	≤-25.00	Pass
	7605	V	-39.02		
	10140	V	-38.97		
	5070	Horizontal	-30.48	≤-25.00	Pass
	7605	H	-38.84		
	10140	H	-40.29		
High	5135	Vertical	-28.61	≤-25.00	Pass
	7702.5	V	-36.50		
	10270	V	-36.84		
	5135	Horizontal	-27.90	≤-25.00	Pass
	7702.5	H	-38.35		
	10270	H	-38.39		

LTE Band 7-10MHz					
Channel	Frequency (MHz)	Spurious Emission		Limit (dBm)	Result
		Polarization	Level (dBm)		
Low	5010	Vertical	-27.40	≤-25.00	Pass
	7515	V	-34.96		
	10020	V	-36.11		
	5010	Horizontal	-27.32	≤-25.00	Pass
	7515	H	-37.12		
	10020	H	-36.95		
Mid	5070	Vertical	-35.99	≤-25.00	Pass
	7605	V	-33.73		
	10140	V	-34.83		
	5070	Horizontal	-36.19	≤-25.00	Pass
	7605	H	-35.38		
	10140	H	-36.04		
High	5130	Vertical	-35.71	≤-25.00	Pass
	7695	V	-32.14		
	10260	V	-32.71		
	5130	Horizontal	-35.30	≤-25.00	Pass
	7695	H	-34.20		
	10260	H	-35.33		

LTE Band 7-15MHz					
Channel	Frequency (MHz)	Spurious Emission		Limit (dBm)	Result
		Polarization	Level (dBm)		
Low	5015	Vertical	-33.46	≤-25.00	Pass
	7522.5	V	-30.07		
	10030	V	-32.01		
	5015	Horizontal	-32.97	≤-25.00	Pass
	7522.5	H	-32.95		
	10030	H	-33.75		
Mid	5070	Vertical	-31.76	≤-25.00	Pass
	7605	V	-38.58		
	10140	V	-30.46		
	5070	Horizontal	-31.60	≤-25.00	Pass
	7605	H	-30.85		
	10140	H	-32.66		
High	5125	Vertical	-30.21	≤-25.00	Pass
	7687.5	V	-36.66		
	10250	V	-27.91		
	5125	Horizontal	-29.08	≤-25.00	Pass
	7687.5	H	-29.42		
	10250	H	-31.81		

LTE Band 7-20MHz					
Channel	Frequency (MHz)	Spurious Emission		Limit (dBm)	Result
		Polarization	Level (dBm)		
Low	5020	Vertical	-29.29	≤-25.00	Pass
	7530	V	-35.49		
	10040	V	-27.35		
	5020	Horizontal	-28.64	≤-25.00	Pass
	7530	H	-28.48		
	10040	H	-30.72		
Mid	5070	Vertical	-28.22	≤-25.00	Pass
	7605	V	-34.55		
	10140	V	-27.37		
	5070	Horizontal	-30.78	≤-25.00	Pass
	7605	H	-29.16		
	10140	H	-30.03		
High	5120	Vertical	-27.24	≤-25.00	Pass
	7680	V	-29.34		
	10240	V	-34.76		
	5120	Horizontal	-31.19	≤-25.00	Pass
	7680	H	-29.26		
	10240	H	-29.49		

Remark:

1. Remark"---" means that the emission level is too low to be measured
2. The emission levels of below 1 GHz are very lower than the limit and not show in test report.

LTE Band 12-1.4MHz					
Channel	Frequency (MHz)	Spurious Emission		Limit (dBm)	Result
		Polarization	Level (dBm)		
Low	1399.4	Vertical	-31.31	≤-13.00	Pass
	2099.1	V	-41.65		
	2798.8	V	-42.00		
	1399.4	Horizontal	-32.60	≤-13.00	Pass
	2099.1	H	-41.92		
	2798.8	H	-42.25		
Mid	1415	Vertical	-30.63	≤-13.00	Pass
	2122.5	V	-40.82		
	2830	V	-41.47		
	1415	Horizontal	-31.67	≤-13.00	Pass
	2122.5	H	-41.17		
	2830	H	-41.70		
High	1430.6	Vertical	-29.90	≤-13.00	Pass
	2145.9	V	-40.06		
	2861.2	V	-40.65		
	1430.6	Horizontal	-31.03	≤-13.00	Pass
	2145.9	H	-40.69		
	2861.2	H	-41.12		

LTE Band 12-3MHz					
Channel	Frequency (MHz)	Spurious Emission		Limit (dBm)	Result
		Polarization	Level (dBm)		
Low	1401	Vertical	-29.53	≤-13.00	Pass
	2101.5	V	-39.60		
	2802	V	-40.43		
	1401	Horizontal	-30.85	≤-13.00	Pass
	2101.5	H	-40.32		
	2802	H	-40.69		
Mid	1415	Vertical	-29.10	≤-13.00	Pass
	2122.5	V	-39.23		
	2830	V	-40.04		
	1415	Horizontal	-30.51	≤-13.00	Pass
	2122.5	H	-39.79		
	2830	H	-40.42		
High	1429	Vertical	-28.71	≤-13.00	Pass
	2143.5	V	-38.75		
	2858	V	-39.40		
	1429	Horizontal	-29.88	≤-13.00	Pass
	2143.5	H	-39.43		
	2858	H	-40.21		

LTE Band 12-5MHz					
Channel	Frequency (MHz)	Spurious Emission		Limit (dBm)	Result
		Polarization	Level (dBm)		
Low	1403	Vertical	-28.36	≤-13.00	Pass
	2104.5	V	-38.16		
	2806	V	-39.20		
	1403	Horizontal	-29.56	≤-13.00	Pass
	2104.5	H	-39.08		
	2806	H	-39.76		
Mid	1415	Vertical	-27.88	≤-13.00	Pass
	2122.5	V	-37.74		
	2830	V	-38.76		
	1415	Horizontal	-29.17	≤-13.00	Pass
	2122.5	H	-38.48		
	2830	H	-39.45		
High	1427	Vertical	-27.44	≤-13.00	Pass
	2140.5	V	-37.20		
	2854	V	-38.04		
	1427	Horizontal	-28.45	≤-13.00	Pass
	2140.5	H	-38.07		
	2854	H	-39.21		

LTE Band 12-10MHz					
Channel	Frequency (MHz)	Spurious Emission		Limit (dBm)	Result
		Polarization	Level (dBm)		
Low	1408	Vertical	-27.18	≤-13.00	Pass
	2112	V	-36.87		
	2816	V	-37.88		
	1408	Horizontal	-28.33	≤-13.00	Pass
	2112	H	-37.80		
	2816	H	-38.90		
Mid	1415	Vertical	-26.88	≤-13.00	Pass
	2122.5	V	-36.60		
	2830	V	-37.60		
	1415	Horizontal	-28.09	≤-13.00	Pass
	2122.5	H	-37.43		
	2830	H	-38.70		
High	1422	Vertical	-26.60	≤-13.00	Pass
	2133	V	-36.26		
	2844	V	-37.14		
	1422	Horizontal	-27.64	≤-13.00	Pass
	2133	H	-37.17		
	2844	H	-38.55		

Remark:

1. Remark"---" means that the emission level is too low to be measured
2. The emission levels of below 1 GHz are very lower than the limit and not show in test report.

LTE Band 13-5MHz					
Channel	Frequency (MHz)	Spurious Emission		Limit (dBm)	Result
		Polarization	Level (dBm)		
Low	1559	Vertical	-30.26	≤-13.00	Pass
	2338.5	V	-36.64		
	3118	V	-39.85		
	1559	Horizontal	-34.58	≤-13.00	Pass
	2338.5	H	-40.93		
	3118	H	-41.46		
Mid	1564	Vertical	-29.64	≤-13.00	Pass
	2346	V	-35.27		
	3128	V	-39.09		
	1564	Horizontal	-33.85	≤-13.00	Pass
	2346	H	-39.62		
	3128	H	-39.56		
High	1569	Vertical	-28.73	≤-13.00	Pass
	2353.5	V	-33.53		
	3138	V	-38.08		
	1569	Horizontal	-33.14	≤-13.00	Pass
	2353.5	H	-37.40		
	3138	H	-36.58		

LTE Band 13-10MHz					
Channel	Frequency (MHz)	Spurious Emission		Limit (dBm)	Result
		Polarization	Level (dBm)		
Mid	1564	Vertical	-27.76	<-13.00	Pass
	2346	V	-32.68		
	3128	V	-37.19		
	1564	Horizontal	-32.36	<-13.00	Pass
	2346	H	-36.20		
	3128	H	-35.96		

Remark:

1. Remark"---" means that the emission level is too low to be measured
2. The emission levels of below 1 GHz are very lower than the limit and not show in test report

LTE Band 17-5MHz					
Channel	Frequency (MHz)	Spurious Emission		Limit (dBm)	Result
		Polarization	Level (dBm)		
Low	1413	Vertical	-31.87	≤-13.00	Pass
	2119.5	V	-41.66		
	2826	V	-43.05		
	1413	Horizontal	-34.61	≤-13.00	Pass
	2119.5	H	-41.87		
	2826	H	-44.08		
Mid	1420	Vertical	-31.54	≤-13.00	Pass
	2130	V	-41.11		
	2840	V	-42.60		
	1420	Horizontal	-33.84	≤-13.00	Pass
	2130	H	-41.48		
	2840	H	-43.77		
High	1427	Vertical	-31.14	≤-13.00	Pass
	2140.5	V	-40.63		
	2854	V	-42.09		
	1427	Horizontal	-33.46	≤-13.00	Pass
	2140.5	H	-41.13		
	2854	H	-43.46		

LTE Band 17-10MHz					
Channel	Frequency (MHz)	Spurious Emission		Limit (dBm)	Result
		Polarization	Level (dBm)		
Low	1418	Vertical	-30.91	≤-13.00	Pass
	2127	V	-40.34		
	2836	V	-41.95		
	1418	Horizontal	-33.35	≤-13.00	Pass
	2127	H	-40.90		
	2836	H	-43.19		
Mid	1420	Vertical	-30.64	≤-13.00	Pass
	2130	V	-40.11		
	2840	V	-41.71		
	1420	Horizontal	-33.13	≤-13.00	Pass
	2130	H	-40.57		
	2840	H	-43.02		
High	1422	Vertical	-30.40	≤-13.00	Pass
	2133	V	-39.81		
	2844	V	-41.31		
	1422	Horizontal	-32.73	≤-13.00	Pass
	2133	H	-40.35		
	2844	H	-42.89		

Remark:

- Remark"---" means that the emission level is too low to be measured
- The emission levels of below 1 GHz are very lower than the limit and not show in test report

LTE Band 25-1.4MHz					
Channel	Frequency (MHz)	Spurious Emission		Limit (dBm)	Result
		Polarization	Level (dBm)		
Low	3701.4	Vertical	-34.39	≤-13.00	Pass
	5552.1	V	-41.89		
	7402.8	V	-43.15		
	3701.4	Horizontal	-34.06	≤-13.00	Pass
	5552.1	H	-39.62		
	7402.8	H	-43.11		
Mid	3765	Vertical	-33.89	≤-13.00	Pass
	5647.5	V	-41.43		
	7530	V	-42.68		
	3765	Horizontal	-33.64	≤-13.00	Pass
	5647.5	H	-38.91		
	7530	H	-42.71		
High	3828.6	Vertical	-33.36	≤-13.00	Pass
	5742.9	V	-40.77		
	7657.2	V	-41.90		
	3828.6	Horizontal	-32.87	≤-13.00	Pass
	5742.9	H	-38.47		
	7657.2	H	-42.45		

LTE Band 25-3MHz					
Channel	Frequency (MHz)	Spurious Emission		Limit (dBm)	Result
		Polarization	Level (dBm)		
Low	3703	Vertical	-33.04	≤-13.00	Pass
	5554.5	V	-40.37		
	7406	V	-41.71		
	3703	Horizontal	-32.72	≤-13.00	Pass
	5554.5	H	-38.15		
	7406	H	-42.07		
Mid	3765	Vertical	-32.67	≤-13.00	Pass
	5647.5	V	-40.05		
	7530	V	-41.37		
	3765	Horizontal	-32.42	≤-13.00	Pass
	5647.5	H	-37.69		
	7530	H	-41.83		
High	3827	Vertical	-32.33	≤-13.00	Pass
	5740.5	V	-39.63		
	7654	V	-40.82		
	3827	Horizontal	-31.87	≤-13.00	Pass
	5740.5	H	-37.38		
	7654	H	-41.65		

LTE Band 25-5MHz					
Channel	Frequency (MHz)	Spurious Emission		Limit (dBm)	Result
		Polarization	Level (dBm)		
Low	3705	Vertical	-32.05	≤-13.00	Pass
	5557.5	V	-39.17		
	7410	V	-40.66		
	3705	Horizontal	-31.62	≤-13.00	Pass
	5557.5	H	-37.10		
	7410	H	-41.30		
Mid	3765	Vertical	-31.67	≤-13.00	Pass
	5647.5	V	-38.84		
	7530	V	-40.31		
	3765	Horizontal	-31.31	≤-13.00	Pass
	5647.5	H	-36.63		
	7530	H	-41.06		
High	3825	Vertical	-31.32	≤-13.00	Pass
	5737.5	V	-38.41		
	7650	V	-39.74		
	3825	Horizontal	-30.75	≤-13.00	Pass
	5737.5	H	-36.31		
	7650	H	-40.87		

LTE Band 25-10MHz					
Channel	Frequency (MHz)	Spurious Emission		Limit (dBm)	Result
		Polarization	Level (dBm)		
Low	3710	Vertical	-31.11	≤-13.00	Pass
	5565	V	-38.15		
	7420	V	-39.62		
	3710	Horizontal	-30.65	≤-13.00	Pass
	5565	H	-36.10		
	7420	H	-40.63		
Mid	3765	Vertical	-30.87	≤-13.00	Pass
	5647.5	V	-37.94		
	7530	V	-39.40		
	3765	Horizontal	-30.46	≤-13.00	Pass
	5647.5	H	-35.80		
	7530	H	-40.48		
High	3820	Vertical	-30.65	≤-13.00	Pass
	5730	V	-37.67		
	7640	V	-39.04		
	3820	Horizontal	-30.11	≤-13.00	Pass
	5730	H	-35.60		
	7640	H	-40.36		

LTE Band 25-15MHz					
Channel	Frequency (MHz)	Spurious Emission		Limit (dBm)	Result
		Polarization	Level (dBm)		
Low	3715	Vertical	-30.34	≤-13.00	Pass
	5572.5	V	-37.08		
	7430	V	-38.84		
	3715	Horizontal	-29.61	≤-13.00	Pass
	5572.5	H	-35.23		
	7430	H	-39.88		
Mid	3765	Vertical	-29.85	≤-13.00	Pass
	5647.5	V	-36.65		
	7530	V	-38.39		
	3765	Horizontal	-29.22	≤-13.00	Pass
	5647.5	H	-34.63		
	7530	H	-39.57		
High	3815	Vertical	-29.40	≤-13.00	Pass
	5722.5	V	-36.10		
	7630	V	-37.66		
	3815	Horizontal	-28.81	≤-13.00	Pass
	5722.5	H	-33.78		
	7630	H	-39.33		

LTE Band 25-20MHz					
Channel	Frequency (MHz)	Spurious Emission		Limit (dBm)	Result
		Polarization	Level (dBm)		
Low	3720	Vertical	-29.14	≤-13.00	Pass
	5580	V	-35.76		
	7440	V	-37.50		
	3720	Horizontal	-28.54	≤-13.00	Pass
	5580	H	-33.51		
	7440	H	-39.02		
Mid	3765	Vertical	-28.83	≤-13.00	Pass
	5647.5	V	-35.49		
	7530	V	-37.22		
	3765	Horizontal	-28.29	≤-13.00	Pass
	5647.5	H	-33.13		
	7530	H	-38.82		
High	3810	Vertical	-28.55	≤-13.00	Pass
	5715	V	-35.14		
	7620	V	-36.76		
	3810	Horizontal	-27.83	≤-13.00	Pass
	5715	H	-32.87		
	7620	H	-38.67		

Remark:

- Remark"---" means that the emission level is too low to be measured
- The emission levels of below 1 GHz are very lower than the limit and not show in test report.

LTE Band 26-1.4MHz					
Channel	Frequency (MHz)	Spurious Emission		Limit (dBm)	Result
		Polarization	Level (dBm)		
Low	1649.4	Vertical	-33.36	≤-13.00	Pass
	2474.1	V	-42.06		
	3298.8	V	-42.81		
	1649.4	Horizontal	-35.59	≤-13.00	Pass
	2474.1	H	-41.91		
	3298.8	H	-41.27		
Mid	1673	Vertical	-32.54	≤-13.00	Pass
	2509.5	V	-41.34		
	3346	V	-42.06		
	1673	Horizontal	-34.93	≤-13.00	Pass
	2509.5	H	-40.90		
	3346	H	-40.74		
High	1696.6	Vertical	-31.79	≤-13.00	Pass
	2544.9	V	-40.53		
	3393.2	V	-40.83		
	1696.6	Horizontal	-33.71	≤-13.00	Pass
	2544.9	H	-40.21		
	3393.2	H	-40.33		

LTE Band 26-3MHz					
Channel	Frequency (MHz)	Spurious Emission		Limit (dBm)	Result
		Polarization	Level (dBm)		
Low	1653	Vertical	-31.40	≤-13.00	Pass
	2479.5	V	-40.04		
	3306	V	-40.60		
	1653	Horizontal	-33.52	≤-13.00	Pass
	2479.5	H	-39.81		
	3306	H	-39.87		
Mid	1675.6	Vertical	-30.95	≤-13.00	Pass
	2513.4	V	-39.64		
	3351.2	V	-40.19		
	1675.6	Horizontal	-33.16	≤-13.00	Pass
	2513.4	H	-39.25		
	3351.2	H	-39.58		
High	1699.2	Vertical	-30.54	≤-13.00	Pass
	2548.8	V	-39.13		
	3398.4	V	-39.51		
	1699.2	Horizontal	-32.49	≤-13.00	Pass
	2548.8	H	-38.87		
	3398.4	H	-39.35		

LTE Band 26-5MHz					
Channel	Frequency (MHz)	Spurious Emission		Limit (dBm)	Result
		Polarization	Level (dBm)		
Low	1649.4	Vertical	-30.01	≤-13.00	Pass
	2474.1	V	-38.46		
	3298.8	V	-39.19		
	1649.4	Horizontal	-32.24	≤-13.00	Pass
	2474.1	H	-38.33		
	3298.8	H	-38.72		
Mid	1673	Vertical	-29.39	≤-13.00	Pass
	2509.5	V	-37.92		
	3346	V	-38.63		
	1673	Horizontal	-31.74	≤-13.00	Pass
	2509.5	H	-37.57		
	3346	H	-38.32		
High	1696.6	Vertical	-28.83	≤-13.00	Pass
	2544.9	V	-37.23		
	3393.2	V	-37.70		
	1696.6	Horizontal	-30.82	≤-13.00	Pass
	2544.9	H	-37.05		
	3393.2	H	-38.01		

LTE Band 26-10MHz					
Channel	Frequency (MHz)	Spurious Emission		Limit (dBm)	Result
		Polarization	Level (dBm)		
Low	1653.6	Vertical	-28.50	≤-13.00	Pass
	2480.4	V	-36.81		
	3307.2	V	-37.50		
	1653.6	Horizontal	-30.66	≤-13.00	Pass
	2480.4	H	-36.71		
	3307.2	H	-37.61		
Mid	1670.1	Vertical	-28.11	≤-13.00	Pass
	2505.15	V	-36.47		
	3340.2	V	-37.15		
	1670.1	Horizontal	-30.35	≤-13.00	Pass
	2505.15	H	-36.23		
	3340.2	H	-37.36		
High	1694.52	Vertical	-27.76	≤-13.00	Pass
	2541.78	V	-36.03		
	3389.04	V	-36.57		
	1694.52	Horizontal	-29.77	≤-13.00	Pass
	2541.78	H	-35.90		
	3389.04	H	-37.17		

LTE Band 26-15MHz					
Channel	Frequency (MHz)	Spurious Emission		Limit (dBm)	Result
		Polarization	Level (dBm)		
Low	1658.2	Vertical	-27.24	≤-13.00	Pass
	2487.3	V	-35.38		
	3316.4	V	-36.26		
	1658.2	Horizontal	-29.52	≤-13.00	Pass
	2487.3	H	-35.37		
	3316.4	H	-36.56		
Mid	1685.2	Vertical	-26.64	≤-13.00	Pass
	2527.8	V	-34.85		
	3370.4	V	-35.71		
	1685.2	Horizontal	-29.04	≤-13.00	Pass
	2527.8	H	-34.63		
	3370.4	H	-36.17		
High	1702.2	Vertical	-26.09	≤-13.00	Pass
	2553.3	V	-34.17		
	3404.4	V	-34.81		
	1702.2	Horizontal	-28.15	≤-13.00	Pass
	2553.3	H	-34.13		
	3404.4	H	-35.87		

LTE Band 41-5MHz					
Channel	Frequency (MHz)	Spurious Emission		Limit (dBm)	Result
		Polarization	Level (dBm)		
Low	5005	Vertical	-31.86	≤-25.00	Pass
	7507.5	V	-40.63		
	10010	V	-42.20		
	5005	Horizontal	-31.14	≤-25.00	Pass
	7507.5	H	-39.96		
	10010	H	-40.36		
Mid	5070	Vertical	-30.33	≤-25.00	Pass
	7605	V	-39.24		
	10140	V	-40.76		
	5070	Horizontal	-29.87	≤-25.00	Pass
	7605	H	-37.81		
	10140	H	-39.14		
High	5135	Vertical	-28.72	≤-25.00	Pass
	7702.5	V	-36.49		
	10270	V	-38.38		
	5135	Horizontal	-27.52	≤-25.00	Pass
	7702.5	H	-36.48		
	10270	H	-38.35		

LTE Band 41-10MHz					
Channel	Frequency (MHz)	Spurious Emission		Limit (dBm)	Result
		Polarization	Level (dBm)		
Low	5010	Vertical	-27.40	≤-25.00	Pass
	7515	V	-34.82		
	10020	V	-37.58		
	5010	Horizontal	-29.89	≤-25.00	Pass
	7515	H	-35.13		
	10020	H	-36.79		
Mid	5070	Vertical	-29.25	≤-25.00	Pass
	7605	V	-32.93		
	10140	V	-35.66		
	5070	Horizontal	-28.61	≤-25.00	Pass
	7605	H	-32.63		
	10140	H	-35.50		
High	5130	Vertical	-30.38	≤-25.00	Pass
	7695	V	-31.04		
	10260	V	-33.41		
	5130	Horizontal	-31.95	≤-25.00	Pass
	7695	H	-31.28		
	10260	H	-33.99		

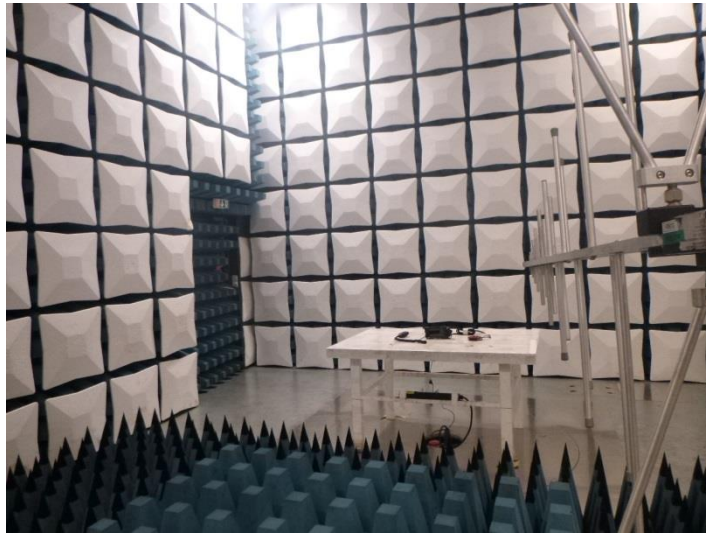
LTE Band 41-15MHz					
Channel	Frequency (MHz)	Spurious Emission		Limit (dBm)	Result
		Polarization	Level (dBm)		
Low	5015	Vertical	-29.77	≤-25.00	Pass
	7522.5	V	-28.37		
	10030	V	-32.51		
	5015	Horizontal	-30.49	≤-25.00	Pass
	7522.5	H	-29.67		
	10030	H	-31.94		
Mid	5070	Vertical	-30.57	≤-25.00	Pass
	7605	V	-31.44		
	10140	V	-30.50		
	5070	Horizontal	-28.72	≤-25.00	Pass
	7605	H	-29.96		
	10140	H	-30.52		
High	5125	Vertical	-31.56	≤-25.00	Pass
	7687.5	V	-33.96		
	10250	V	-29.20		
	5125	Horizontal	-35.46	≤-25.00	Pass
	7687.5	H	-32.11		
	10250	H	-29.42		

LTE Band 41-20MHz					
Channel	Frequency (MHz)	Spurious Emission		Limit (dBm)	Result
		Polarization	Level (dBm)		
Low	5020	Vertical	-27.37	≤-25.00	Pass
	7530	V	-32.45		
	10040	V	-30.48		
	5020	Horizontal	-28.89	≤-25.00	Pass
	7530	H	-33.90		
	10040	H	-29.01		
Mid	5070	Vertical	-28.98	≤-25.00	Pass
	7605	V	-31.24		
	10140	V	-31.22		
	5070	Horizontal	-29.77	≤-25.00	Pass
	7605	H	-32.19		
	10140	H	-32.12		
High	5120	Vertical	-28.72	≤-25.00	Pass
	7680	V	-30.68		
	10240	V	-30.14		
	5120	Horizontal	-29.71	≤-25.00	Pass
	7680	H	-31.03		
	10240	H	-31.43		

Remark:

1. Remark"---" means that the emission level is too low to be measured
2. The emission levels of below 1 GHz are very lower than the limit and not show in test report.

6. TEST SETUP PHOTOS OF THE EUT



7. EXTERNAL AND INTERNAL PHOTOS OF THE EUT

Refere to the test report No.: CHTEW21010055

8. APPENDIX REPORT