




# FCC REPORT

Report Reference No..... : **CHTEW21010056** Report Verification: 

Project No..... : **SHT2012124103EW**

FCC ID..... : **2AYEZ-M6**

Applicant's name..... : **Telo Communication (Shenzhen) Co., Ltd**

Address..... : **6/F, No.42 Liuxian 1st Road, Bao'an District, Shenzhen, China**

Test item description ..... : **Smart Communicator**

Trade Mark ..... : **Telo Systems, TELOX**

Model/Type reference..... : **M6**

Listed Model(s) ..... : **TELOX-M6, Telo-M6, M6C, M6D, M6E, M6F, M6G, M6H, M6J, M6K, M6L, M6N, M6P, M6Q, M6R, M6S, M6T, M6U, M6V, M6X, M6Y**

Standard ..... : **FCC CFR Title 47 Part 2  
 FCC CFR Title 47 Part 22  
 FCC CFR Title 47 Part 24  
 FCC CFR Title 47 Part 27**

Date of receipt of test sample..... : **Dec. 30, 2020**

Date of testing..... : **Dec. 31, 2020- Jan. 13, 2021**

Date of issue..... : **Jan. 14, 2021**

Result..... : **Pass**

Compiled by ( position+printedname+signature)....:	File administrators Silvia Li	
Supervised by (position+printedname+signature).....:	Project Engineer Aaron Fang	
Approved by (position+printedname+signature).....:	Manager Hans Hu	

**Testing Laboratory Name ..... : Shenzhen Huatongwei International Inspection Co., Ltd.**

Address..... : **1/F, Bldg 3, Hongfa Hi-tech Industrial Park, Genyu Road, Tianliao, Gongming, Shenzhen, China**

**Shenzhen Huatongwei International Inspection Co., Ltd. All rights reserved.**

This publication may be reproduced in whole or in part for non-commercial purposes as long as the Shenzhen Huatongwei International Inspection Co., Ltd. is acknowledged as copyright owner and source of the material. Shenzhen Huatongwei International Inspection Co., Ltd. takes no responsibility for and will not assume liability for damages resulting from the reader's interpretation of the reproduced material due to its placement and context.

*The test report merely correspond to the test sample.*

## Contents

<b>1.</b>	<b><u>TEST STANDARDS AND REPORT VERSION</u></b>	<b>3</b>
1.1.	Applicable Standards	3
1.2.	Report version information	3
<b>2.</b>	<b><u>TEST DESCRIPTION</u></b>	<b>4</b>
<b>3.</b>	<b><u>SUMMARY</u></b>	<b>5</b>
3.1.	Client Information	5
3.2.	Product Description	5
3.3.	Operation state	6
3.4.	EUT configuration	6
3.5.	Modifications	6
<b>4.</b>	<b><u>TEST ENVIRONMENT</u></b>	<b>7</b>
4.1.	Testing Laboratory Information	7
4.2.	Equipments Used during the Test	7
4.3.	Environmental conditions	8
4.4.	Statement of the measurement uncertainty	8
<b>5.</b>	<b><u>TEST CONDITIONS AND RESULTS</u></b>	<b>9</b>
5.1.	Conducted Output Power	9
5.2.	Peak-Average Ratio	10
5.3.	99% Occupied Bandwidth & 26 dB Bandwidth	11
5.4.	Band Edge	12
5.5.	Conducted Spurious Emissions	13
5.6.	Frequency stability VS Temperature measurement	14
5.7.	Frequency stability VS Voltage measurement	15
5.8.	ERP and EIRP	16
5.9.	Radiated Spurious Emission	19
<b>6.</b>	<b><u>TEST SETUP PHOTOS OF THE EUT</u></b>	<b>24</b>
<b>7.</b>	<b><u>EXTERNAL AND INTERNAL PHOTOS OF THE EUT</u></b>	<b>24</b>
<b>8.</b>	<b><u>APPENDIX REPORT</u></b>	<b>24</b>

# **1. TEST STANDARDS AND REPORT VERSION**

## **1.1. Applicable Standards**

The tests were performed according to following standards:

[FCC Rules Part 2](#): FREQUENCY ALLOCATIONS AND RADIO TREATY MATTERS; GENERAL RULES AND REGULATIONS

[FCC Rules Part 22](#): PUBLIC MOBILE SERVICES

[FCC Rules Part 24](#): PERSONAL COMMUNICATIONS SERVICES

[FCC Rules Part 27](#): MISCELLANEOUS WIRELESS COMMUNICATIONS SERVICES

[TIA/EIA 603 E March 2016](#): Land Mobile FM or PM Communications Equipment Measurement and Performance Standards.

[ANSI C63.26: 2015](#): American National Standard for Compliance Testing of Transmitters Used in Licensed Radio Services

[KDB 971168 D01 Power Meas License Digital Systems v03](#): MEASUREMENT GUIDANCE FOR CERTIFICATION OF LICENSED DIGITAL TRANSMITTERS

## **1.2. Report version information**

Revision No.	Date of issue	Description
N/A	2021-01-14	Original

## 2. Test Description

Test Item	Section in CFR 47	Result	Test Engineer
Conducted Output Power	Part 2.1046 Part 22.913(a) Part 24.232(c) Part 27.50	Pass	Jiongsheng Feng
Peak-to-Average Ratio	Part 24.232 Part 27.50	Pass	Jiongsheng Feng
99% Occupied Bandwidth & 26 dB Bandwidth	Part 2.1049 Part 22.917(b) Part 24.238(b) Part 27.53	Pass	Jiongsheng Feng
Band Edge	Part 2.1051 Part 22.917 Part 24.238 Part 27.53	Pass	Jiongsheng Feng
Conducted Spurious Emissions	Part 2.1051 Part 22.917 Part 24.238 Part 27.53	Pass	Jiongsheng Feng
Frequency stability vs temperature	Part 2.1055(a)(1)(b) Part 22.355 Part 24.235 Part 27.54	Pass	Jiongsheng Feng
Frequency stability vs voltage	Part 2.1055(d)(1)(2) Part 22.355 Part 24.235 Part 27.54	Pass	Jiongsheng Feng
ERP and EIRP	Part 22.913(a) Part 24.232(b) Part 27.50	Pass	Pan Xie
Radiated Spurious Emissions	Part 2.1053 Part 22.917 Part 24.238 Part 27.53	Pass	Pan Xie

Note: The measurement uncertainty is not included in the test result.

### 3. SUMMARY

#### 3.1. Client Information

Applicant:	Telo Communication (Shenzhen) Co., Ltd
Address:	6/F, No.42 Liuxian 1st Road, Bao'an District, Shenzhen, China
Manufacturer:	Telo Communication (Shenzhen) Co., Ltd
Address:	6/F, No.42 Liuxian 1st Road, Bao'an District, Shenzhen, China

#### 3.2. Product Description

Name of EUT:	Smart Communicator
Trade Mark:	Telo Systems, TELOX
Model No.:	M6
Listed Model(s):	TELOX-M6, Telo-M6, M6C, M6D, M6E, M6F, M6G, M6H, M6J, M6K, M6L, M6N, M6P, M6Q, M6R, M6S, M6T, M6U, M6V, M6X, M6Y
SIM Information:	Support One SIM Card
Power supply:	DC 12V
Adapter information:	-
Hardware version:	M6_V1.0
Software version:	M6_INT_V4_20201224
<b>3G:</b>	
Operation Band:	FDD Band II, FDD Band IV , FDD Band V
Power Class:	Class 3
Modulation Type:	QPSK
Transmit frequency:	FDD Band II: 1852.40MHz~1907.60MHz FDD Band IV: 1712.40MHz~1752.60MHz FDD Band V: 826.40MHz~846.60MHz
Receive frequency:	FDD Band II: 1932.40MHz~1987.60MHz FDD Band IV: 2112.40MHz~2152.60MHz FDD Band V: 871.40MHz~891.60MHz
Antenna type:	monopole Antenna
Antenna gain:	Band II: 1.75dBi, Band IV: 1.75dBi, Band V: 0.73dBi

### 3.3. Operation state

#### ➤ Test frequency list

FDD Band II		FDD Band IV		FDD Band V	
Channel	Frequency (MHz)	Channel	Frequency (MHz)	Channel	Frequency (MHz)
9262	1852.40	1312	1712.40	4132	826.40
9400	1880.00	1413	1732.60	4183	836.60
9538	1907.60	1513	1752.60	4233	846.60

#### ➤ Test mode

Antenna port conducted and radiated test items were performed according to KDB 971168 D01 Power Meas. License Digital Systems v03 and ANSI C63.26-2015 with maximum output power.

Radiated measurements were performed with rotating EUT in different three orthogonal test planes to find the maximum emission.

Radiated emissions were investigated as following frequency range:

30 MHz to 10th harmonic for FDD Band II, Band IV, Band V.

All modes and data rates and positions were investigated.

Test modes are chosen to be reported as the worst case configuration below:

Test modes		
Band	Radiated	Conducted
WCDMA Band V	■ RMC 12.2Kbps Link	■ RMC 12.2Kbps Link
WCDMA Band II	■ RMC 12.2Kbps Link	■ RMC 12.2Kbps Link
WCDMA Band IV	■ RMC 12.2Kbps Link	■ RMC 12.2Kbps Link

### 3.4. EUT configuration

The following peripheral devices and interface cables were connected during the measurement:

- - supplied by the manufacturer
- - supplied by the lab

○ /	Manufacturer:	/
	Model No.:	/
○ /	Manufacturer:	/
	Model No.:	/

### 3.5. Modifications

No modifications were implemented to meet testing criteria.

## 4. TEST ENVIRONMENT

### 4.1. Testing Laboratory Information

Laboratory Name	Shenzhen Huatongwei International Inspection Co., Ltd.	
Laboratory Location	1/F, Bldg 3, Hongfa Hi-tech Industrial Park, Genyu Road, Tianliao, Gongming, Shenzhen, China	
Connect information:	Tel: 86-755-26715499 E-mail: <a href="mailto:cs@szhtw.com.cn">cs@szhtw.com.cn</a> <a href="http://www.szhtw.com.cn">http://www.szhtw.com.cn</a>	
Qualifications	Type	Accreditation Number

### 4.2. Equipments Used during the Test

Used	Test Equipment	Manufacturer	Equipment No.	Model No.	Serial No.	Last Cal. Date (YY-MM-DD)	Next Cal. Date (YY-MM-DD)
●	Signal and spectrum Analyzer	R&S	HTWE0242	FSV40	100048	2020/10/19	2021/10/18
●	Signal & Spectrum Analyzer	R&S	HTWE0262	FSW26	103440	2020/10/19	2021/10/18
●	Spectrum Analyzer	Agilent	HTWE0286	N9020A	MY50510187	2020/10/19	2021/10/18
●	Radio communication tester	R&S	HTWE0287	CMW500	137688-Lv	2020/10/19	2021/10/18
●	Test software	Tonscend	N/A	JS1120	N/A	N/A	N/A

#### ● Radiated Spurious Emission

Used	Test Equipment	Manufacturer	Equipment No.	Model No.	Serial No.	Last Cal. Date (YY-MM-DD)	Next Cal. Date (YY-MM-DD)
●	Semi-Anechoic Chamber	Albatross projects	HTWE0122	SAC-3m-01	N/A	2018/09/27	2021/09/26
●	Spectrum Analyzer	R&S	HTWE0098	FSP40	100597	2020/10/20	2021/10/19
●	Loop Antenna	R&S	HTWE0170	HFH2-Z2	100020	2018/04/02	2021/04/01
●	Broadband Horn Antenna	SCHWARZBECK	HTWE0103	BBHA9170	BBHA9170472	2018/10/12	2021/10/11
●	Ultra-Broadband Antenna	SCHWARZBECK	HTWE0123	VULB9163	538	2018/04/04	2021/04/03
●	Horn Antenna	SCHWARZBECK	HTWE0126	9120D	1011	2020/04/01	2023/03/31
●	Pre-amplifier	CD	HTWE0071	PAP-0102	12004	2020/11/12	2021/11/11
●	Broadband Preamplifier	SCHWARZBECK	HTWE0201	BBV 9718	9718-248	2020/05/10	2021/05/09
●	RF Connection Cable	HUBER+SUHNER	HTWE0120-01	6m 18GHz S Serisa	N/A	2020/05/10	2021/05/09
●	RF Connection Cable	HUBER+SUHNER	HTWE0120-02	6m 3GHz RG Serisa	N/A	2020/05/10	2021/05/09
●	RF Connection Cable	HUBER+SUHNER	HTWE0120-03	6m 3GHz RG Serisa	N/A	2020/05/10	2021/05/09
●	RF Connection Cable	HUBER+SUHNER	HTWE0120-04	6m 3GHz RG Serisa	N/A	2020/05/10	2021/05/09
●	RF Connection Cable	HUBER+SUHNER	HTWE0121-01	6m 18GHz S Serisa	N/A	2020/05/10	2021/05/09
●	EMI Test Software	Audix	N/A	E3	N/A	N/A	N/A

#### ● Auxiliary Equipment

Used	Test Equipment	Manufacturer	Equipment No.	Model No.	Serial No.	Last Cal. Date (YY-MM-DD)	Next Cal. Date (YY-MM-DD)
●	Climate chamber	ESPEC	HTWE0254	GPL-2	N/A	2020/10/21	2021/10/20

●	DC Power Supply	Gwinstek	HTWE0274	SPS-2415	GER835793	N/A	N/A
---	-----------------	----------	----------	----------	-----------	-----	-----

### 4.3. Environmental conditions

During the measurement the environmental conditions were within the listed ranges:

Voltage	VN=Nominal Voltage	DC 12.0V
	VL=Lower Voltage	DC 10.8V
	VH=Higher Voltage	DC 13.2V
Temperature	TN=Normal Temperature	25 °C
	Extreme Temperature	From -30° to + 50° centigrade
Humidity	30~60 %	
Air Pressure	950-1050 hPa	

### 4.4. Statement of the measurement uncertainty

The data and results referenced in this document are true and accurate. The reader is cautioned that there may be errors within the calibration limits of the equipment and facilities. The measurement uncertainty was calculated for all measurements listed in this test report acc. to TR-100028-01 "Electromagnetic compatibility and Radio spectrum Matters (ERM); Uncertainties in the measurement of mobile radio equipment characteristics; Part 1" and TR-100028-02 "Electromagnetic compatibility and Radio spectrum Matters (ERM); Uncertainties in the measurement of mobile radio equipment characteristics; Part 2" and is documented in the Shenzhen Huatongwei International Inspection Co., Ltd quality system acc. to DIN EN ISO/IEC 17025. Furthermore, component and process variability of devices similar to that tested may result in additional deviation. The manufacturer has the sole responsibility of continued compliance of the device.

Hereafter the best measurement capability for Shenzhen Huatongwei laboratory is reported:

Test Items	Measurement Uncertainty	Notes
Transmitter power conducted	0.51 dB	(1)
Transmitter power Radiated	2.66dB for <1GHz 3.44dB for >1GHz	(1)
Conducted spurious emissions 9kHz~40GHz	0.51 dB	(1)
Radiated spurious emissions	2.66dB for <1GHz 3.44dB for >1GHz	(1)
Occupied Bandwidth	15Hz for <1GHz 70Hz for >1GHz	(1)
Frequency error	15Hz for <1GHz 70Hz for >1GHz	(1)

(1) This uncertainty represents an expanded uncertainty expressed at approximately the 95% confidence level using a coverage factor of k=1.96.

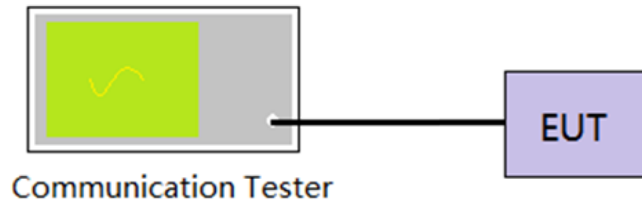


## **5. TEST CONDITIONS AND RESULTS**

### **5.1. Conducted Output Power**

**LIMIT**

N/A

**TEST CONFIGURATION****TEST PROCEDURE**

1. The EUT output port was connected to communication tester.
2. Set EUT at maximum power through communication tester.
3. Select lowest, middle, and highest channels for each band and different modulation.
4. Measure the maximum burst average power.

**TEST MODE:**

Please refer to the clause 3.3

**TEST RESULTS** **Passed**       **Not Applicable**

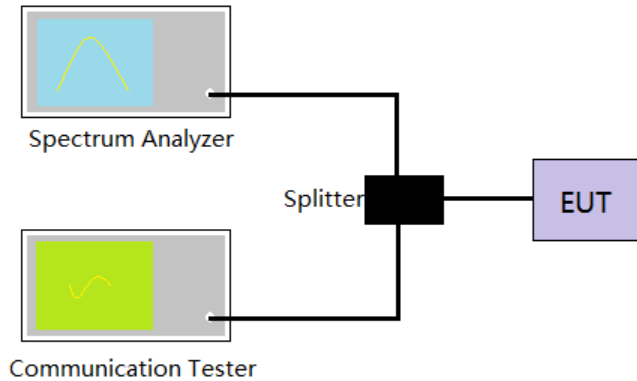
Refer to appendix A on the section 8 appendix report

## 5.2. Peak-Average Ratio

### LIMIT

13dB

### TEST CONFIGURATION



### TEST PROCEDURE

1. The EUT was connected to the spectrum analyzer and communication tester via a power splitter
2. Set EUT in maximum power output.
3. Center Frequency = Carrier frequency, RBW > Emission bandwidth of signal
4. The signal analyzer was set to collect one million samples to generate the CCDF curve
5. The measurement interval was set depending on the type of signal analyzed.
  - i. For continuous signals (>98% duty cycle), the measurement interval was set to 1ms.
  - ii. For burst transmissions, the spectrum analyzer is set to use an internal "RF Burst" trigger that is synced with an incoming pulse and the measurement interval is set to less than the duration of the "on time" of one burst to ensure that energy is only captured during a time in which the transmitter is operating at maximum power
6. Record the maximum PAPR level associated with a probability of 0.1%.

### TEST MODE:

Please refer to the clause 3.3

### TEST RESULTS

Passed       Not Applicable

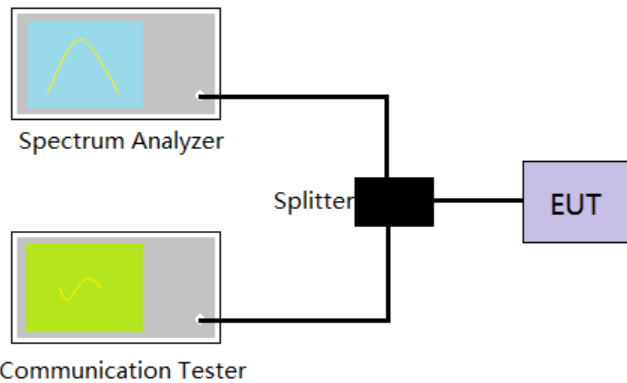
Refer to appendix B on the section 8 appendix report

### 5.3. 99% Occupied Bandwidth & 26 dB Bandwidth

#### LIMIT

N/A

#### TEST CONFIGURATION



#### TEST PROCEDURE

1. The EUT was connected to the spectrum analyzer and communication tester via a power splitter
2. Set EUT in maximum power output.
3. Spectrum analyzer setting as follow:  
Center Frequency= Carrier frequency, RBW=1% to 5% of anticipated OBW, VBW= 3 \* RBW,  
Detector=Peak,  
Trace maximum hold.
4. Record the value of 99% Occupied bandwidth and -26dB bandwidth.

#### TEST MODE:

Please refer to the clause 3.3

#### TEST RESULTS

Passed       Not Applicable

Refer to appendix C on the section 8 appendix report

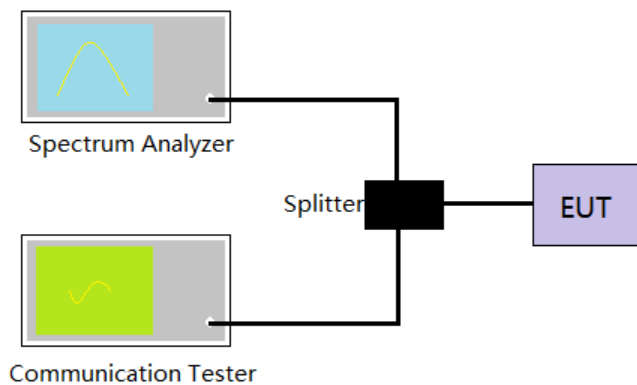
## 5.4. Band Edge

### LIMIT

Part 24.238 and Part 22.917 and Part 27.53 specify that the power of any emission outside of the authorized operating frequency ranges must be attenuated below the transmitting power (P) by a factor of at least  $43 + 10 \log(P)$  dB.

The specification that emissions shall be attenuated below the transmitter power (P) by at least  $43 + 10 \log(P)$  dB, translates in the relevant power range (1 to 0.001 W) to -13 dBm. At 1 W the specified minimum attenuation becomes 43 dB and relative to a 30 dBm (1 W) carrier becomes a limit of -13 dBm. At 0.001 W (0 dBm) the minimum attenuation is 13 dB, which again yields a limit of -13 dBm. In this way a translation of the specification from relative to absolute terms is carried out.

### TEST CONFIGURATION



### TEST PROCEDURE

1. The EUT was connected to the spectrum analyzer and communication tester via a power splitter
2. Set EUT in maximum power output.
3. The band edges of low and high channels were measured.
4. Spectrum analyzer setting as follow:  
RBW=100KHz, VBW = 300KHz, Sweep time= Auto
5. Record the test plot.

### TEST MODE:

Please refer to the clause 3.3

### TEST RESULTS

Passed       Not Applicable

Refer to appendix D on the section 8 appendix report

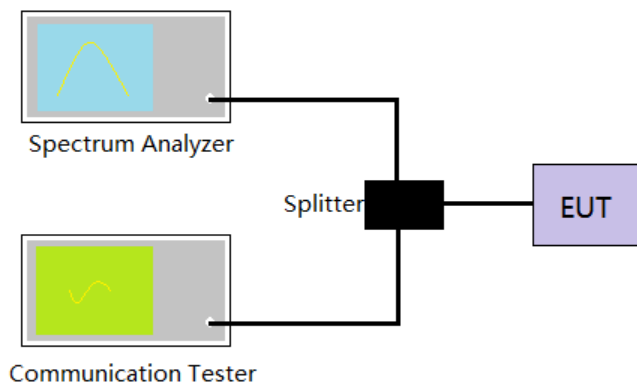
## 5.5. Conducted Spurious Emissions

### LIMIT

Part 24.238 and Part 22.917 and Part 27.53 specify that the power of any emission outside of the authorized operating frequency ranges must be attenuated below the transmitting power (P) by a factor of at least  $43 + 10 \log(P)$  dB.

The specification that emissions shall be attenuated below the transmitter power (P) by at least  $43 + 10 \log(P)$  dB, translates in the relevant power range (1 to 0.001 W) to -13 dBm. At 1 W the specified minimum attenuation becomes 43 dB and relative to a 30 dBm (1 W) carrier becomes a limit of -13 dBm. At 0.001 W (0 dBm) the minimum attenuation is 13 dB, which again yields a limit of -13 dBm. In this way a translation of the specification from relative to absolute terms is carried out.

### TEST CONFIGURATION



### TEST PROCEDURE

1. The EUT was connected to the spectrum analyzer and communication tester via a power splitter
2. Set EUT in maximum power output.
3. Spectrum analyzer setting as follow:  
Below 1GHz, RBW=100KHz, VBW = 300KHz, Detector=Peak, Sweep time= Auto  
Above 1GHz, RBW=1MHz, VBW=3MHz, Detector=Peak, Sweep time= Auto  
Scan frequency range up to 10<sup>th</sup> harmonic.
4. Record the test plot.

### TEST MODE:

Please refer to the clause 3.3

### TEST RESULTS

Passed       Not Applicable

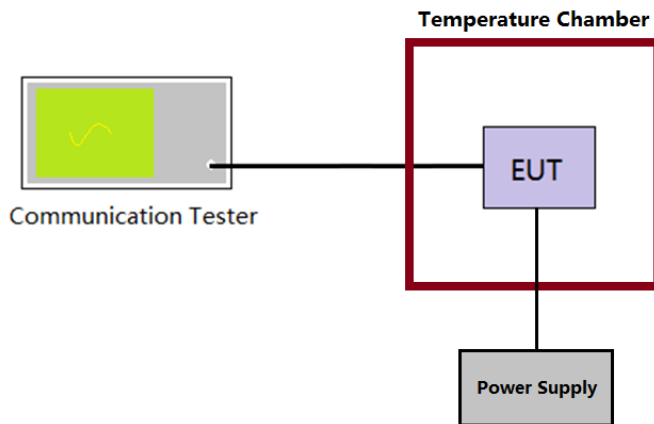
Refer to appendix E on the section 8 appendix report

## 5.6. Frequency stability VS Temperature measurement

### LIMIT

2.5ppm

### TEST CONFIGURATION



### TEST PROCEDURE

1. The equipment under test was connected to an external DC power supply and input rated voltage.
2. The EUT output port was connected to communication tester.
3. The EUT was placed inside the temperature chamber.
4. Turn EUT off and set the chamber temperature to  $-30^{\circ}\text{C}$ . After the temperature stabilized for approximately 30 minutes recorded the frequency.
5. Repeat step 4 measure with  $10^{\circ}\text{C}$  increased per stage until the highest temperature of  $+50^{\circ}\text{C}$  reached.

### TEST MODE:

Please refer to the clause 3.3

### TEST RESULTS

Passed       Not Applicable

Refer to appendix F on the section 8 appendix report

## 5.7. Frequency stability VS Voltage measurement

### LIMIT

2.5ppm

### TEST CONFIGURATION



### TEST PROCEDURE

1. The equipment under test was connected to an external DC power supply and input rated voltage.
2. The EUT output port was connected to communication tester.
3. The EUT was placed inside the temperature chamber at 25°C
4. The power supply voltage to the EUT was varied  $\pm 15\%$  of the nominal value measured at the input to the EUT
5. Record the maximum frequency change.

### TEST MODE:

Please refer to the clause 3.3

### TEST RESULTS

**Passed**       **Not Applicable**

Refer to appendix F on the section 8 appendix report

## 5.8. ERP and EIRP

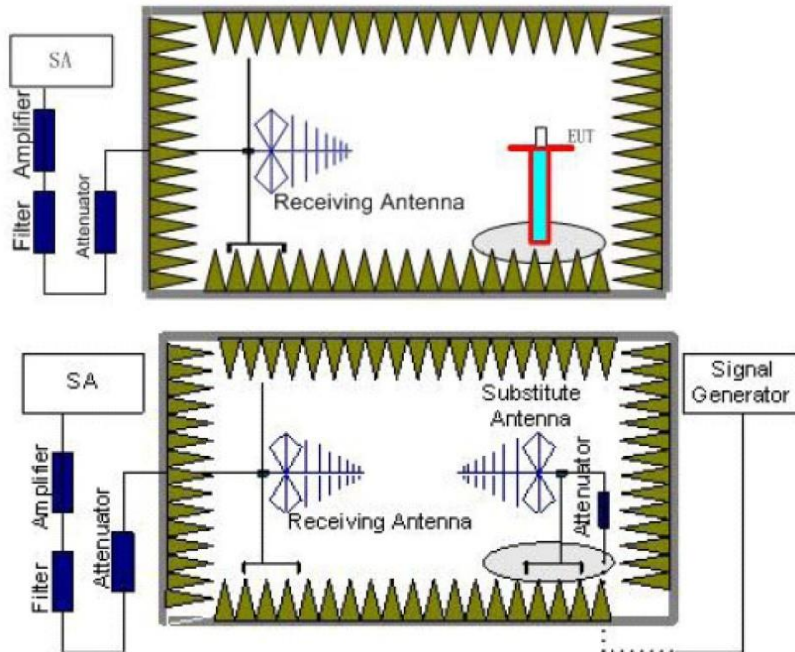
### LIMIT

WCDMA Band V: 7W (38.45dBm) ERP

WCDMA Band II: 2W (33dBm) EIRP

WCDMA Band IV: 1W (30dBm) EIRP

### TEST CONFIGURATION



### TEST PROCEDURE

1. Place the EUT in the center of the turntable.
  - a) For radiated emissions measurements performed at frequencies less than or equal to 1 GHz, the EUT shall be placed on a RF-transparent table at a nominal height of 80 cm above the reference ground plane
  - b) For radiated measurements performed at frequencies above 1 GHz, the EUT shall be placed on an RF transparent table at a nominal height of 1.5 m above the ground plane.
2. Unless the EUT uses an integral antenna, the EUT shall be terminated with a non-radiating transmitter load. In cases where the EUT uses an adjustable antenna, the antenna shall be adjusted through typical positions and lengths to maximize emissions levels.
3. The EUT shall be tested while operating on the frequency per manufacturer specification. Set the transmitter to operate in continuous transmit mode.
4. Receiver or Spectrum set as follow:  
 Below 1GHz, RBW=100kHz, VBW=300kHz, Detector=Peak, Sweep time=Auto  
 Above 1GHz, RBW=1MHz, VBW=3MHz, Detector=Peck, Sweep time=Auto
5. Each emission under consideration shall be evaluated:
  - a) Raise and lower the measurement antenna from 1 m to 4 m, as necessary to enable detection of the maximum emission amplitude relative to measurement antenna height.
  - b) Rotate the EUT through 360° to determine the maximum emission level relative to the axial position.
  - c) Return the turntable to the azimuth where the highest emission amplitude level was observed.
  - d) Vary the measurement antenna height again through 1 m to 4 m again to find the height associated with the maximum emission amplitude.
  - e) Record the measured emission amplitude level and frequency
6. Repeat step 5 for each emission frequency with the measurement antenna oriented in both the horizontal and vertical polarizations to determine the orientation that gives the maximum emissions amplitude.
7. Set-up the substitution measurement with the reference point of the substitution antenna located as near as possible to where the center of the EUT radiating element was located during the initial EUT measurement.
8. Maintain the previous measurement instrument settings and test set-up, with the exception that the EUT is removed and replaced by the substitution antenna.



9. Connect a signal generator to the substitution antenna; locate the signal generator so as to minimize any potential influences on the measurement results. Set the signal generator to the frequency where emissions are detected, and set an output power level such that the radiated signal can be detected by the measurement instrument, with sufficient dynamic range relative to the noise floor.
10. For each emission that was detected and measured in the initial test
  - a) Vary the measurement antenna height between 1 m to 4 m to maximize the received (measured) signal amplitude.
  - b) Adjust the signal generator output power level until the amplitude detected by the measurement instrument equals the amplitude level of the emission previously measured directly in step 5 and step 6.
  - c) Record the output power level of the signal generator when equivalence is achieved in step b).
11. Repeat step 8 through step 10 with the measurement antenna oriented in the opposite polarization.
12. Calculate the emission power in dBm referenced to a half-wave dipole using the following equation:  
$$P_e = P_s(\text{dBm}) - \text{cable loss (dB)} + \text{antenna gain (dBd)}$$
where  
 $P_e$  = equivalent emission power in dBm  
 $P_s$  = source (signal generator) power in dBm  
*NOTE—dBd refers to the measured antenna gain in decibels relative to a half-wave dipole.*
13. Correct the antenna gain of the substitution antenna if necessary to reference the emission power to a half-wave dipole. When using measurement antennas with the gain specified in dBi, the equivalent dipole-referenced gain can be determined from:  
$$\text{gain (dBd)} = \text{gain (dBi)} - 2.15 \text{ dB.}$$
If necessary, the antenna gain can be calculated from calibrated antenna factor information
14. Provide the complete measurement results as a part of the test report.

**TEST MODE:**

Please refer to the clause 3.3

**TEST RESULTS**

**Passed**       **Not Applicable**

Mode	Channel	Antenna Pol.	EIRP	Limit (dBm)	Result
WCDMA Band II	9262	V	15.76	<33.00	Pass
		H	16.48		
	9400	V	15.12		
		H	15.21		
	9538	V	15.05		
		H	15.26		

Mode	Channel	Antenna Pol.	EIRP	Limit (dBm)	Result
WCDMA Band IV	1312	V	16.34	<30.00	Pass
		H	16.66		
	1413	V	16.76		
		H	16.91		
	1513	V	15.60		
		H	14.64		

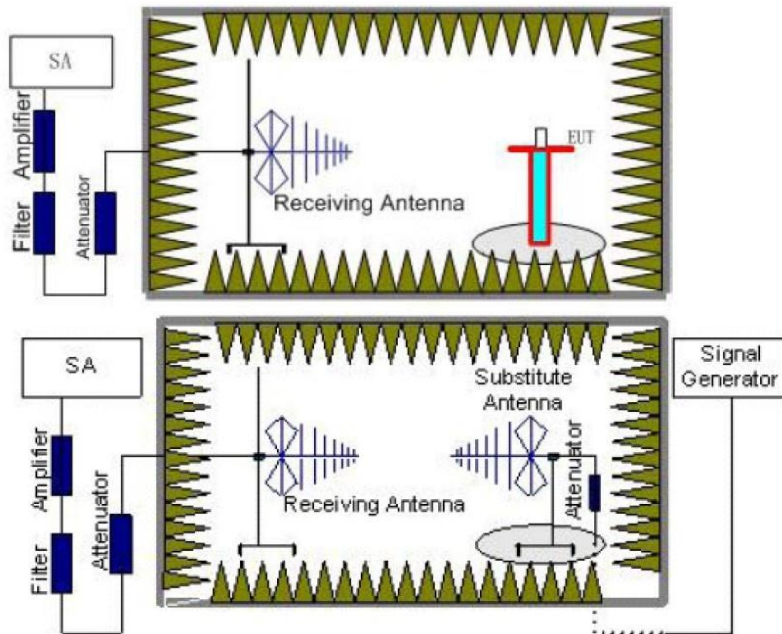
Mode	Channel	Antenna Pol.	ERP	Limit (dBm)	Result
WCDMA Band V	4132	V	16.22	<38.45	Pass
		H	17.61		
	4183	V	14.34		
		H	15.54		
	4233	V	15.44		
		H	16.68		

## 5.9. Radiated Spurious Emission

### LIMIT

-13dBm

### TEST CONFIGURATION



### TEST PROCEDURE

1. Place the EUT in the center of the turntable.
  - a) For radiated emissions measurements performed at frequencies less than or equal to 1 GHz, the EUT shall be placed on a RF-transparent table at a nominal height of 80 cm above the reference ground plane
  - b) For radiated measurements performed at frequencies above 1 GHz, the EUT shall be placed on an RF transparent table at a nominal height of 1.5 m above the ground plane.
2. Unless the EUT uses an integral antenna, the EUT shall be terminated with a non-radiating transmitter load. In cases where the EUT uses an adjustable antenna, the antenna shall be adjusted through typical positions and lengths to maximize emissions levels.
3. The EUT shall be tested while operating on the frequency per manufacturer specification. Set the transmitter to operate in continuous transmit mode.
4. Receiver or Spectrum set as follow:  
Below 1GHz, RBW=100kHz, VBW=300kHz, Detector=Peak, Sweep time=Auto  
Above 1GHz, RBW=1MHz, VBW=3MHz, Detector=Peck, Sweep time=Auto
5. Each emission under consideration shall be evaluated:
  - a) Raise and lower the measurement antenna from 1 m to 4 m, as necessary to enable detection of the maximum emission amplitude relative to measurement antenna height.
  - b) Rotate the EUT through 360° to determine the maximum emission level relative to the axial position.
  - c) Return the turntable to the azimuth where the highest emission amplitude level was observed.
  - d) Vary the measurement antenna height again through 1 m to 4 m again to find the height associated with the maximum emission amplitude.
  - e) Record the measured emission amplitude level and frequency
6. Repeat step 5 for each emission frequency with the measurement antenna oriented in both the horizontal and vertical polarizations to determine the orientation that gives the maximum emissions amplitude.
7. Set-up the substitution measurement with the reference point of the substitution antenna located as near as possible to where the center of the EUT radiating element was located during the initial EUT measurement.
8. Maintain the previous measurement instrument settings and test set-up, with the exception that the EUT is removed and replaced by the substitution antenna.
9. Connect a signal generator to the substitution antenna; locate the signal generator so as to minimize any

- potential influences on the measurement results. Set the signal generator to the frequency where emissions are detected, and set an output power level such that the radiated signal can be detected by the measurement instrument, with sufficient dynamic range relative to the noise floor.
10. For each emission that was detected and measured in the initial test
    - a) Vary the measurement antenna height between 1 m to 4 m to maximize the received (measured) signal amplitude.
    - b) Adjust the signal generator output power level until the amplitude detected by the measurement instrument equals the amplitude level of the emission previously measured directly in step 5 and step 6.
    - c) Record the output power level of the signal generator when equivalence is achieved in step b).
  11. Repeat step 8 through step 10 with the measurement antenna oriented in the opposite polarization.
  12. Calculate the emission power in dBm referenced to a half-wave dipole using the following equation:  
$$P_e = P_s(\text{dBm}) - \text{cable loss (dB)} + \text{antenna gain (dBd)}$$
where  
 $P_e$  = equivalent emission power in dBm  
 $P_s$  = source (signal generator) power in dBm  
*NOTE—dBd refers to the measured antenna gain in decibels relative to a half-wave dipole.*
  13. Correct the antenna gain of the substitution antenna if necessary to reference the emission power to a half-wave dipole. When using measurement antennas with the gain specified in dBi, the equivalent dipole-referenced gain can be determined from:  
$$\text{gain (dBd)} = \text{gain (dBi)} - 2.15 \text{ dB.}$$
If necessary, the antenna gain can be calculated from calibrated antenna factor information
  14. Provide the complete measurement results as a part of the test report.

**TEST MODE:**

Please refer to the clause 3.3

**TEST RESULTS**

**Passed**       **Not Applicable**

Note: Worst case at WCDMA Band II/WCDMA Band IV/ WCDMA Band V

Channel: 9262					Polarization: Horizontal				
Mark	Frequency MHz	Reading dBm	Antenna dB	Cable dB	Preamp dB	Level dBm	Limit dBm	Over limit	Remark
1	42.05	-78.20	27.09	6.57	30.90	-75.44	-13.00	-62.44	Peak
2	417.82	-80.08	25.92	8.36	30.12	-75.92	-13.00	-62.92	Peak
3	1332.08	-70.32	37.02	12.79	28.96	-49.47	-13.00	-36.47	Peak
4	2232.42	-70.67	40.78	12.69	28.26	-45.46	-13.00	-32.46	Peak
5	4666.94	-76.90	43.52	11.03	35.93	-58.28	-13.00	-45.28	Peak
6	7542.38	-75.84	47.89	14.35	33.62	-47.22	-13.00	-34.22	Peak

Channel: 9262					Polarization: Vertical				
Mark	Frequency MHz	Reading dBm	Antenna dB	Cable dB	Preamp dB	Level dBm	Limit dBm	Over limit	Remark
1	91.14	-79.09	27.93	6.93	30.74	-74.97	-13.00	-61.97	Peak
2	575.40	-80.08	27.22	8.88	29.88	-73.86	-13.00	-60.86	Peak
3	1456.05	-70.75	37.76	12.06	28.82	-49.75	-13.00	-36.75	Peak
4	2284.52	-69.88	40.69	12.84	27.96	-44.31	-13.00	-31.31	Peak
5	4513.83	-76.02	43.29	10.69	36.30	-58.34	-13.00	-45.34	Peak
6	7685.93	-77.09	48.38	14.72	33.16	-47.15	-13.00	-34.15	Peak

Channel: 9400					Polarization: Horizontal				
Mark	Frequency MHz	Reading dBm	Antenna dB	Cable dB	Preamp dB	Level dBm	Limit dBm	Over limit	Remark
1	38.78	-73.33	28.61	6.54	30.92	-69.10	-13.00	-56.10	Peak
2	201.07	-68.39	19.93	7.52	30.34	-71.28	-13.00	-58.28	Peak
3	1367.66	-70.11	37.09	12.60	28.94	-49.36	-13.00	-36.36	Peak
4	2563.85	-71.84	38.94	14.28	26.00	-44.62	-13.00	-31.62	Peak
5	3759.98	-73.48	42.23	9.82	37.12	-58.55	-13.00	-45.55	Peak
6	7992.86	-75.67	48.12	14.31	33.31	-46.55	-13.00	-33.55	Peak

Channel: 9400					Polarization: Vertical				
Mark	Frequency MHz	Reading dBm	Antenna dB	Cable dB	Preamp dB	Level dBm	Limit dBm	Over limit	Remark
1	89.24	-78.62	27.99	6.92	30.76	-74.47	-13.00	-61.47	Peak
2	268.27	-69.01	22.28	7.81	30.35	-69.27	-13.00	-56.27	Peak
3	1408.84	-70.17	37.76	12.37	28.90	-48.94	-13.00	-35.94	Peak
4	2606.45	-72.61	39.20	14.49	25.60	-44.52	-13.00	-31.52	Peak
5	3759.98	-67.36	42.14	9.82	37.12	-52.52	-13.00	-39.52	Peak
6	7685.93	-76.70	48.38	14.72	33.16	-46.76	-13.00	-33.76	Peak

Channel: 9538					Polarization: Horizontal				
Mark	Frequency MHz	Reading dBm	Antenna dB	Cable dB	Preamp dB	Level dBm	Limit dBm	Over limit	Remark
1	39.75	-73.14	28.59	6.55	30.92	-68.92	-13.00	-55.92	Peak
2	201.07	-67.12	19.93	7.52	30.34	-70.01	-13.00	-57.01	Peak
3	1413.49	-70.20	37.07	12.34	28.89	-49.68	-13.00	-36.68	Peak
4	2408.23	-71.66	39.77	13.25	27.25	-45.89	-13.00	-32.89	Peak
5	4327.93	-75.71	42.70	10.72	36.17	-58.46	-13.00	-45.46	Peak
6	7854.96	-76.80	47.95	14.47	33.27	-47.65	-13.00	-34.65	Peak

Channel: 9538					Polarization: Vertical				
Mark	Frequency MHz	Reading dBm	Antenna dB	Cable dB	Preamp dB	Level dBm	Limit dBm	Over limit	Remark
1	88.61	-77.91	27.75	6.91	30.76	-74.01	-13.00	-61.01	Peak
2	267.33	-68.10	22.22	7.81	30.36	-68.43	-13.00	-55.43	Peak
3	1326.23	-70.66	37.44	12.82	28.97	-49.37	-13.00	-36.37	Peak
4	2212.88	-71.09	41.57	12.63	28.36	-45.25	-13.00	-32.25	Peak
5	3814.91	-67.27	41.98	9.86	37.00	-52.43	-13.00	-39.43	Peak
6	7697.08	-77.73	48.40	14.73	33.15	-47.75	-13.00	-34.75	Peak

## Remark:

1. The emission behaviour belongs to narrowband spurious emission.
2. The emission levels of not record in the report are very lower than the limit and not show in test report.

Channel: 4132					Polarization: Horizontal				
Mark	Frequency MHz	Reading dBm	Antenna dB	Cable dB	Preamp dB	Level dBm	Limit dBm	Over limit	Remark
1	39.75	-73.95	28.59	6.55	30.92	-69.73	-13.00	-56.73	Peak
2	201.07	-66.59	19.93	7.52	30.34	-69.48	-13.00	-56.48	Peak
3	1372.18	-70.26	37.10	12.58	28.94	-49.52	-13.00	-36.52	Peak
4	2483.46	-71.94	39.36	13.77	26.57	-45.38	-13.00	-32.38	Peak
5	4599.74	-76.84	43.46	10.85	36.10	-58.63	-13.00	-45.63	Peak
6	8004.46	-76.96	48.11	14.29	33.31	-47.87	-13.00	-34.87	Peak
Channel: 4132					Polarization: Vertical				
Mark	Frequency MHz	Reading dBm	Antenna dB	Cable dB	Preamp dB	Level dBm	Limit dBm	Over limit	Remark
1	85.85	-77.43	26.65	6.89	30.79	-74.68	-13.00	-61.68	Peak
2	266.39	-69.19	22.16	7.81	30.36	-69.58	-13.00	-56.58	Peak
3	1336.47	-69.77	37.48	12.77	28.96	-48.48	-13.00	-35.48	Peak
4	2205.60	-70.30	41.66	12.61	28.36	-44.39	-13.00	-31.39	Peak
5	4860.35	-77.17	43.90	11.51	35.13	-56.89	-13.00	-43.89	Peak
6	7641.47	-76.75	48.31	14.69	33.17	-46.92	-13.00	-33.92	Peak
Channel: 4182					Polarization: Horizontal				
Mark	Frequency MHz	Reading dBm	Antenna dB	Cable dB	Preamp dB	Level dBm	Limit dBm	Over limit	Remark
1	39.47	-73.58	28.59	6.55	30.92	-69.36	-13.00	-56.36	Peak
2	201.07	-67.27	19.93	7.52	30.34	-70.16	-13.00	-57.16	Peak
3	1363.16	-70.27	37.09	12.62	28.95	-49.51	-13.00	-36.51	Peak
4	2287.03	-69.92	40.46	12.84	27.95	-44.57	-13.00	-31.57	Peak
5	4633.22	-76.30	43.49	10.94	36.03	-57.90	-13.00	-44.90	Peak
6	7981.27	-76.55	48.11	14.35	33.31	-47.40	-13.00	-34.40	Peak
Channel: 4182					Polarization: Vertical				
Mark	Frequency MHz	Reading dBm	Antenna dB	Cable dB	Preamp dB	Level dBm	Limit dBm	Over limit	Remark
1	90.19	-78.71	28.23	6.92	30.75	-74.31	-13.00	-61.31	Peak
2	268.27	-68.50	22.28	7.81	30.35	-68.76	-13.00	-55.76	Peak
3	1330.61	-68.80	37.46	12.80	28.96	-47.50	-13.00	-34.50	Peak
4	2167.17	-69.62	41.19	12.51	28.30	-44.22	-13.00	-31.22	Peak
5	4309.14	-76.28	42.79	10.74	36.12	-58.87	-13.00	-45.87	Peak
6	6505.26	-75.69	46.80	13.13	34.73	-50.49	-13.00	-37.49	Peak
Channel: 4233					Polarization: Horizontal				
Mark	Frequency MHz	Reading dBm	Antenna dB	Cable dB	Preamp dB	Level dBm	Limit dBm	Over limit	Remark
1	39.89	-73.61	28.58	6.56	30.92	-69.39	-13.00	-56.39	Peak
2	200.36	-68.35	19.92	7.52	30.34	-71.25	-13.00	-58.25	Peak
3	1303.13	-70.59	36.96	12.95	28.97	-49.65	-13.00	-36.65	Peak
4	2717.57	-73.88	39.93	14.32	24.47	-44.10	-13.00	-31.10	Peak
5	4902.82	-76.46	44.02	11.50	35.22	-56.16	-13.00	-43.16	Peak
6	7889.21	-77.09	47.99	14.57	33.32	-47.85	-13.00	-34.85	Peak
Channel: 4233					Polarization: Vertical				
Mark	Frequency MHz	Reading dBm	Antenna dB	Cable dB	Preamp dB	Level dBm	Limit dBm	Over limit	Remark
1	100.22	-75.18	25.19	6.99	30.68	-73.68	-13.00	-60.68	Peak
2	317.59	-71.95	24.13	8.01	30.28	-70.09	-13.00	-57.09	Peak
3	1593.31	-69.84	37.76	11.65	28.27	-48.70	-13.00	-35.70	Peak
4	2167.17	-69.54	41.19	12.51	28.30	-44.14	-13.00	-31.14	Peak
5	5317.62	-76.54	44.03	12.02	35.41	-55.90	-13.00	-42.90	Peak
6	8795.72	-76.94	49.50	15.81	34.88	-46.51	-13.00	-33.51	Peak

## Remark:

- The emission behaviour belongs to narrowband spurious emission.  
The emission levels of not record in the report are very lower than the limit and not show in test report.

Channel: 1312					Polarization: Horizontal				
Mark	Frequency MHz	Reading dBm	Antenna dB	Cable dB	Preamp dB	Level dBm	Limit dBm	Over limit	Remark
1	42.49	-76.45	26.78	6.58	30.90	-73.99	-13.00	-60.99	Peak
2	621.68	-78.98	28.73	9.02	29.86	-71.09	-13.00	-58.09	Peak
3	1323.32	-69.98	37.00	12.84	28.97	-49.11	-13.00	-36.11	Peak
4	2217.75	-70.28	40.86	12.64	28.34	-45.12	-13.00	-32.12	Peak
5	3426.70	-53.93	39.96	9.25	36.61	-41.33	-13.00	-28.33	Peak
6	7455.38	-77.58	48.29	14.24	33.97	-49.02	-13.00	-36.02	Peak

Channel: 1312					Polarization: Vertical				
Mark	Frequency MHz	Reading dBm	Antenna dB	Cable dB	Preamp dB	Level dBm	Limit dBm	Over limit	Remark
1	93.09	-79.52	27.32	6.94	30.73	-75.99	-13.00	-62.99	Peak
2	720.63	-80.68	29.58	9.28	29.63	-71.45	-13.00	-58.45	Peak
3	1506.49	-69.90	37.76	11.77	28.57	-48.94	-13.00	-35.94	Peak
4	2205.60	-70.38	41.66	12.61	28.36	-44.47	-13.00	-31.47	Peak
5	3426.70	-54.31	39.99	9.25	36.61	-41.68	-13.00	-28.68	Peak
6	7697.08	-77.13	48.40	14.73	33.15	-47.15	-13.00	-34.15	Peak

Channel: 1413					Polarization: Horizontal				
Mark	Frequency MHz	Reading dBm	Antenna dB	Cable dB	Preamp dB	Level dBm	Limit dBm	Over limit	Remark
1	49.60	-73.60	22.17	6.64	30.86	-75.65	-13.00	-62.65	Peak
2	394.97	-80.15	26.04	8.30	30.08	-75.89	-13.00	-62.89	Peak
3	1283.24	-70.18	36.92	12.68	28.91	-49.49	-13.00	-36.49	Peak
4	2252.13	-70.17	40.66	12.74	28.16	-44.93	-13.00	-31.93	Peak
5	3461.66	-56.46	40.46	9.37	36.56	-43.19	-13.00	-30.19	Peak
6	7630.40	-76.96	47.67	14.69	33.18	-47.78	-13.00	-34.78	Peak

Channel: 1413					Polarization: Vertical				
Mark	Frequency MHz	Reading dBm	Antenna dB	Cable dB	Preamp dB	Level dBm	Limit dBm	Over limit	Remark
1	94.07	-77.42	27.01	6.95	30.72	-74.18	-13.00	-61.18	Peak
2	573.38	-79.11	27.06	8.88	29.88	-73.05	-13.00	-60.05	Peak
3	1372.18	-70.19	37.64	12.58	28.94	-48.91	-13.00	-35.91	Peak
4	2299.63	-70.64	40.50	12.88	27.87	-45.13	-13.00	-32.13	Peak
5	3461.66	-55.57	40.53	9.37	36.56	-42.23	-13.00	-29.23	Peak
6	7992.86	-75.62	47.64	14.31	33.31	-46.98	-13.00	-33.98	Peak

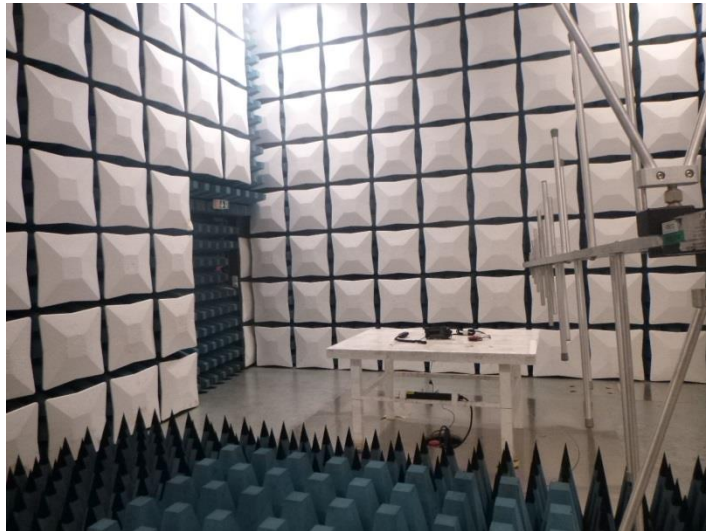
Channel: 1513					Polarization: Horizontal				
Mark	Frequency MHz	Reading dBm	Antenna dB	Cable dB	Preamp dB	Level dBm	Limit dBm	Over limit	Remark
1	45.27	-74.64	24.89	6.60	30.88	-74.03	-13.00	-61.03	Peak
2	389.45	-79.86	25.85	8.28	30.10	-75.83	-13.00	-62.83	Peak
3	1277.61	-71.14	36.90	12.58	28.90	-50.56	-13.00	-37.56	Peak
4	2670.22	-73.90	39.46	14.40	24.73	-44.77	-13.00	-31.77	Peak
5	3502.06	-52.92	41.03	9.51	36.62	-39.00	-13.00	-26.00	Peak
6	8039.36	-76.24	47.99	14.28	33.31	-47.28	-13.00	-34.28	Peak

Channel:1513					Polarization: Vertical				
Mark	Frequency MHz	Reading dBm	Antenna dB	Cable dB	Preamp dB	Level dBm	Limit dBm	Over limit	Remark
1	88.93	-79.45	27.87	6.91	30.76	-75.43	-13.00	-62.43	Peak
2	484.32	-80.00	26.60	8.58	29.96	-74.78	-13.00	-61.78	Peak
3	1378.22	-69.55	37.67	12.54	28.93	-48.27	-13.00	-35.27	Peak
4	2327.59	-70.24	40.17	12.97	27.75	-44.85	-13.00	-31.85	Peak
5	3502.06	-50.82	41.15	9.51	36.62	-36.78	-13.00	-23.78	Peak
6	7630.40	-77.73	48.30	14.69	33.18	-47.92	-13.00	-34.92	Peak

Remark:

1. The emission behaviour belongs to narrowband spurious emission.
2. The emission levels of not record in the report are very lower than the limit and not show in test report.

## 6. TEST SETUP PHOTOS OF THE EUT



## 7. EXTERNAL AND INTERNAL PHOTOS OF THE EUT

Refere to the test report No.: CHTEW21010055

## 8. APPENDIX REPORT